



US00D700176S

(12) **United States Design Patent**
Ohm

(10) **Patent No.:** **US D700,176 S**

(45) **Date of Patent:** **** Feb. 25, 2014**

(54) **MOBILE DEVICE MOUNTING APPARATUS**

(56) **References Cited**

(71) Applicant: **Bell Automotive Products, Inc.**,
Scottsdale, AZ (US)

(72) Inventor: **Patrick L. Ohm**, Mesa, AZ (US)

(73) Assignee: **Bell Automotive Products, Inc.**,
Scottsdale, AZ (US)

(**) Term: **14 Years**

(21) Appl. No.: **29/459,397**

(22) Filed: **Jun. 28, 2013**

U.S. PATENT DOCUMENTS

D411,207	S	*	6/1999	Richter	D14/253
D411,544	S	*	6/1999	Richter	D14/253
D521,990	S	*	5/2006	Richter	D14/253
D533,053	S	*	12/2006	Brassard	D8/373
D533,054	S	*	12/2006	Brassard	D8/373
D533,055	S	*	12/2006	Brassard	D8/373
2004/0155164	A1	*	8/2004	Richter	248/274.1
2005/0109899	A1	*	5/2005	Yeh	248/205.5

* cited by examiner

Primary Examiner — Susan Bennett Hattan

Assistant Examiner — Janice Hallmark

(74) *Attorney, Agent, or Firm* — Booth Udall Fuller, PLC

(57) **CLAIM**

The ornamental design for a mobile device mounting apparatus, as shown and described.

DESCRIPTION

FIG. 1 is a top view of a mobile device mounting apparatus; FIG. 2 is a bottom view thereof; FIG. 3 is a front view thereof; FIG. 4 is a perspective view thereof; FIG. 5 is a rear view thereof; and, FIG. 6 is a right side view thereof, the left side being a mirror image to the right side.

The broken lines are included for the purpose of illustrating environmental features and form no part of the claimed design.

Related U.S. Application Data

(63) Continuation of application No. 29/452,528, filed on Apr. 17, 2013.

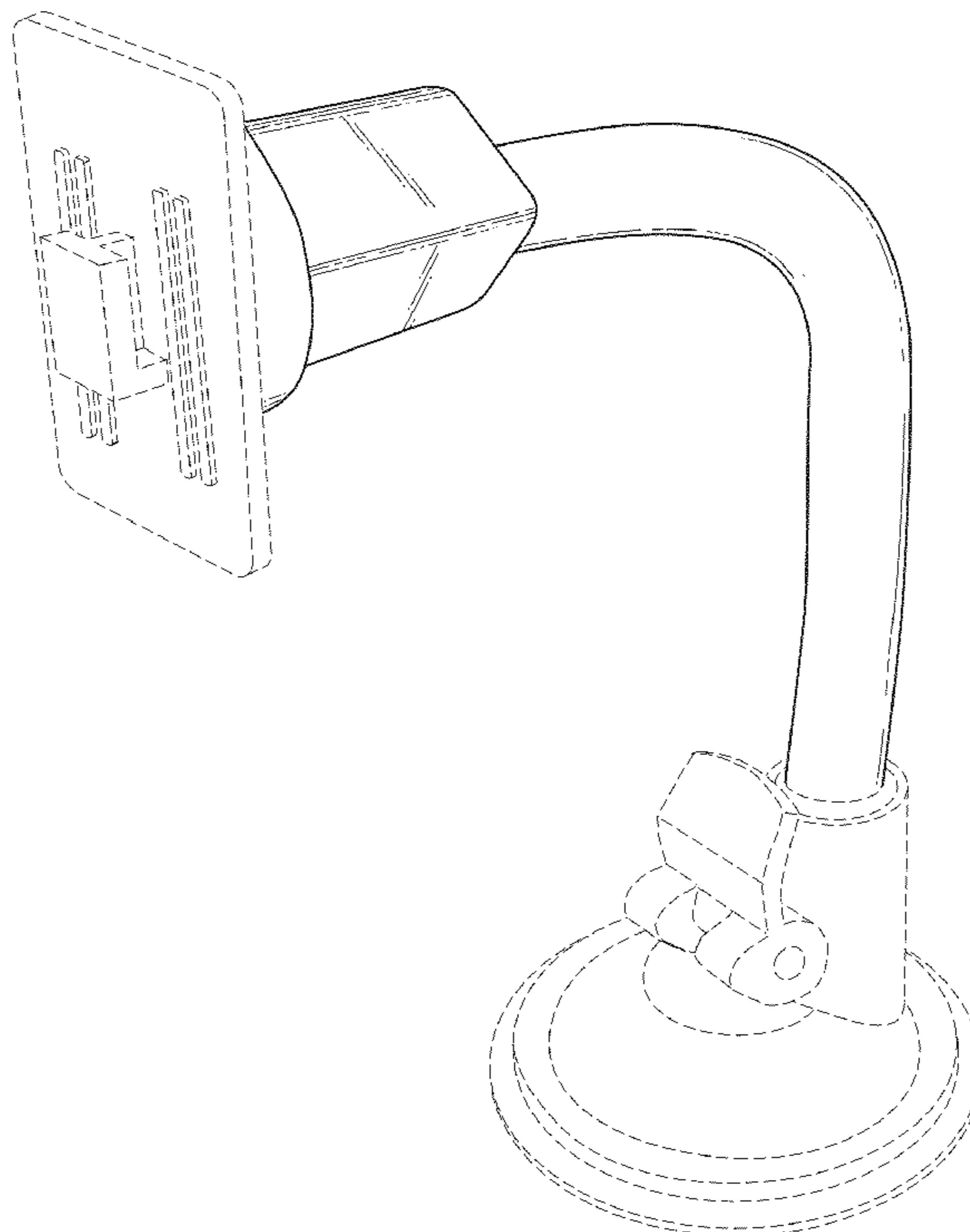
(51) **LOC (10) Cl.** **14-03**

(52) **U.S. Cl.**
USPC **D14/253**

(58) **Field of Classification Search**
USPC D14/140, 140.8, 142, 168, 204, 209.1,
D14/217, 221, 243–256, 434, 447, 452;
D3/215, 218, 269; D2/861; D6/300,
D6/310, 467, 553–574; 292/342, 343;
D19/90; D12/411, 415; D13/108;
379/446, 455; D8/363

See application file for complete search history.

1 Claim, 6 Drawing Sheets



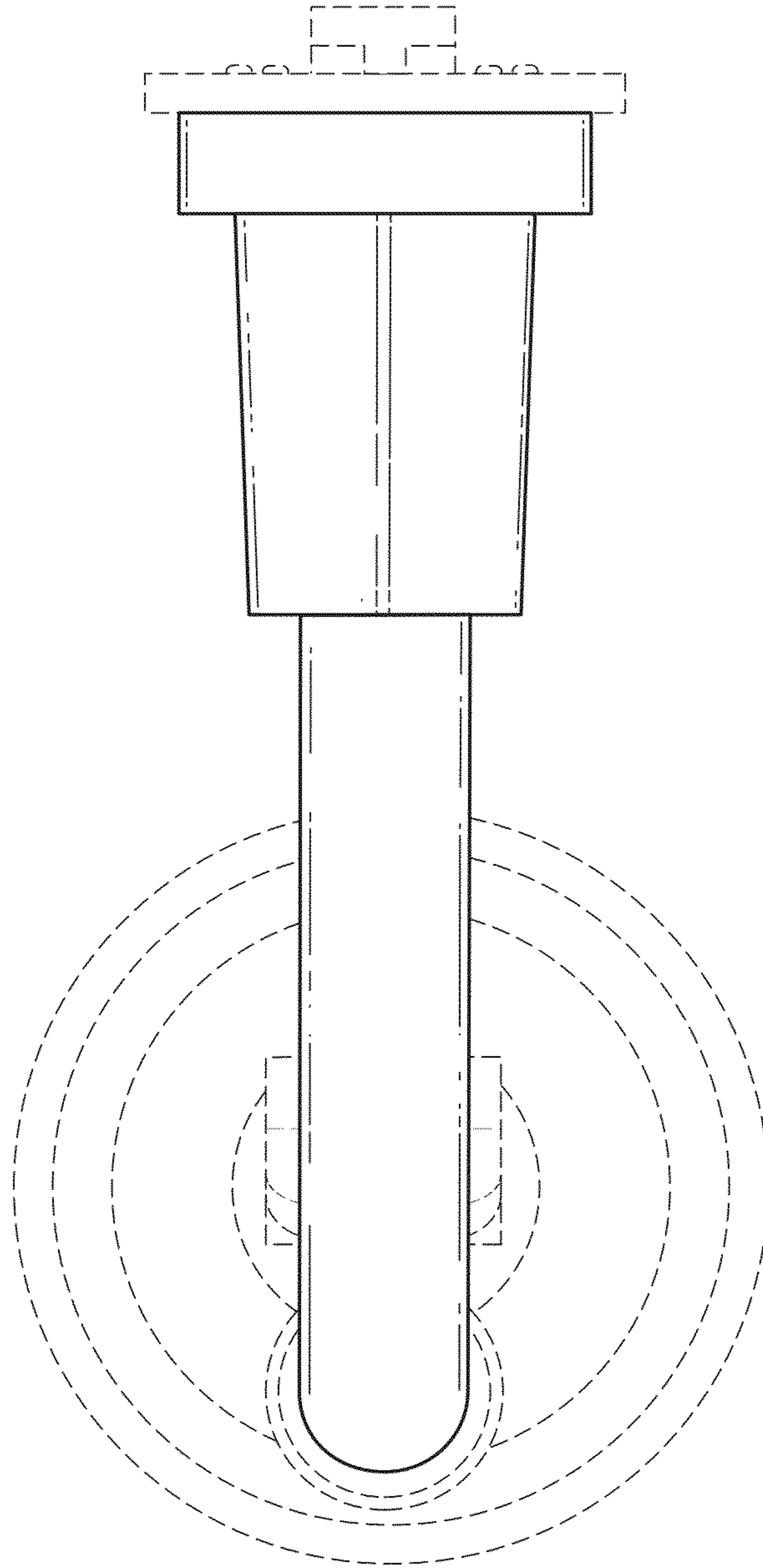


FIG. 1

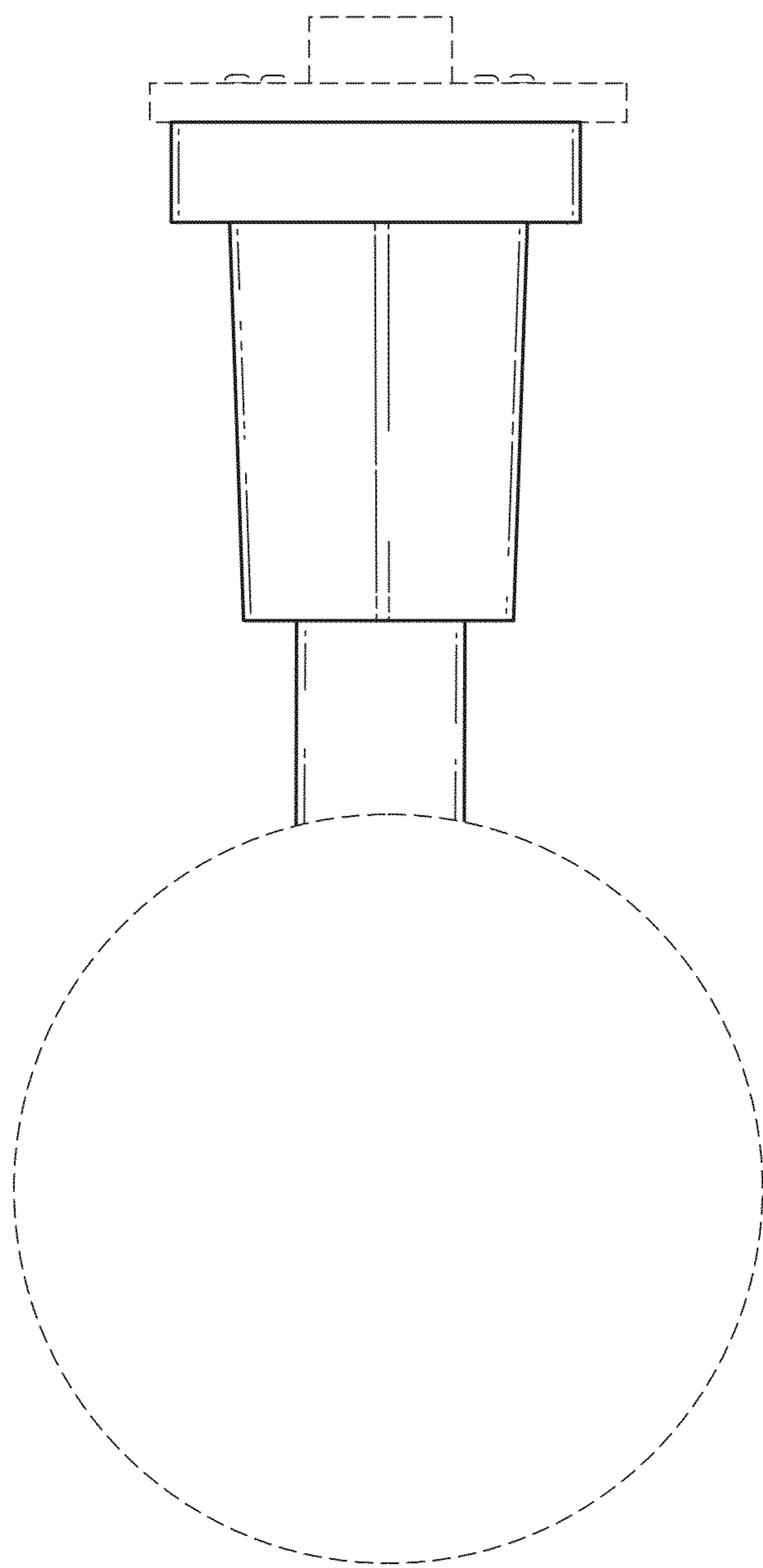


FIG. 2

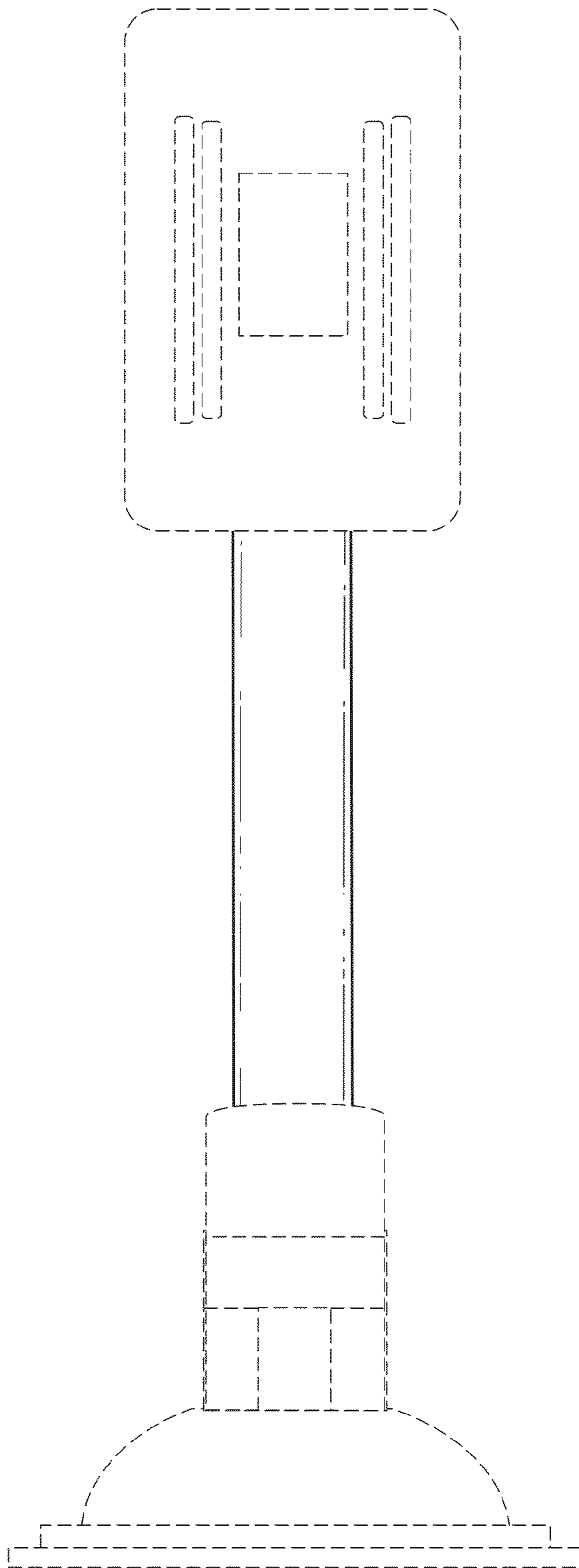


FIG. 3

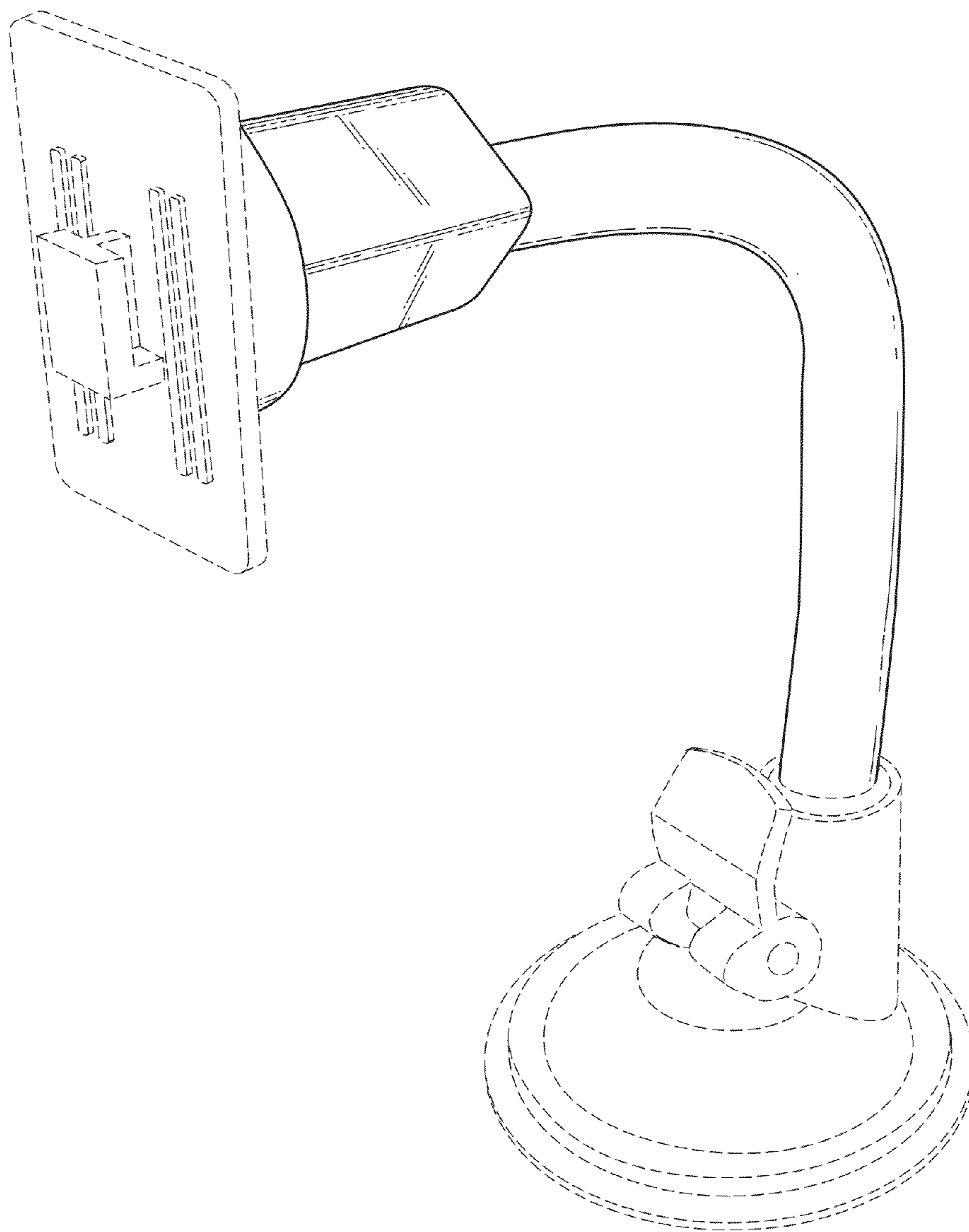


FIG. 4

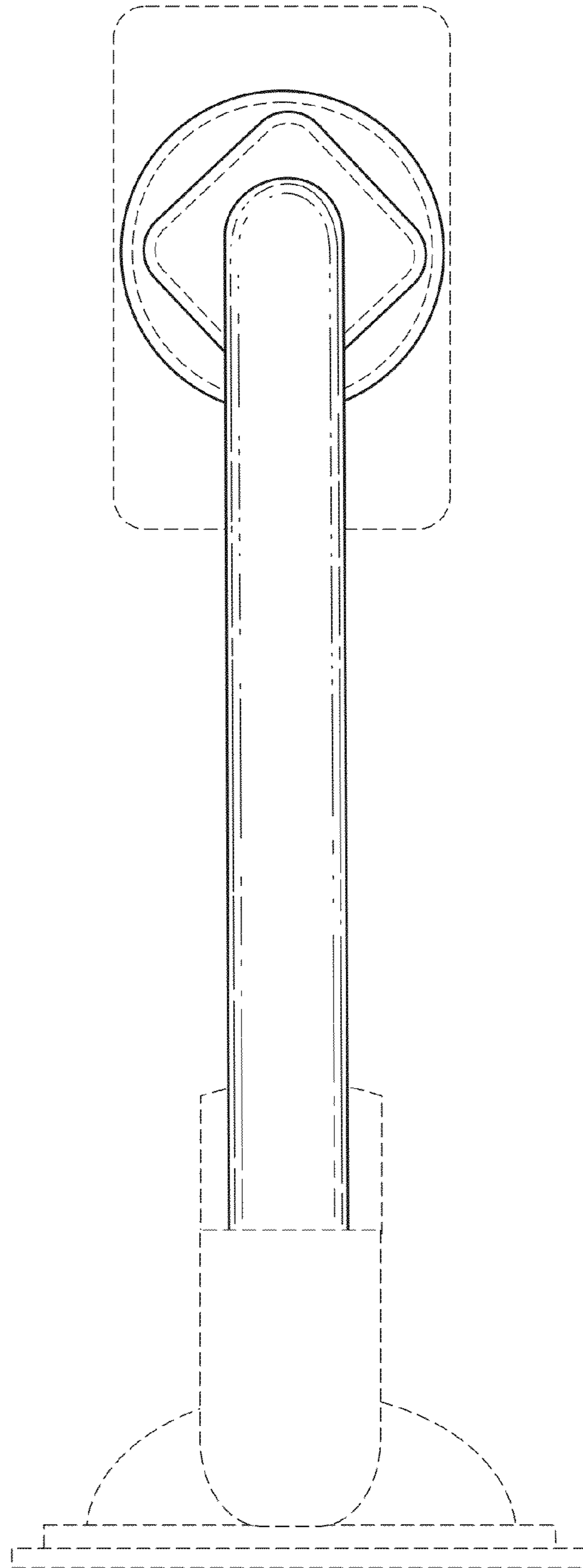


FIG. 5

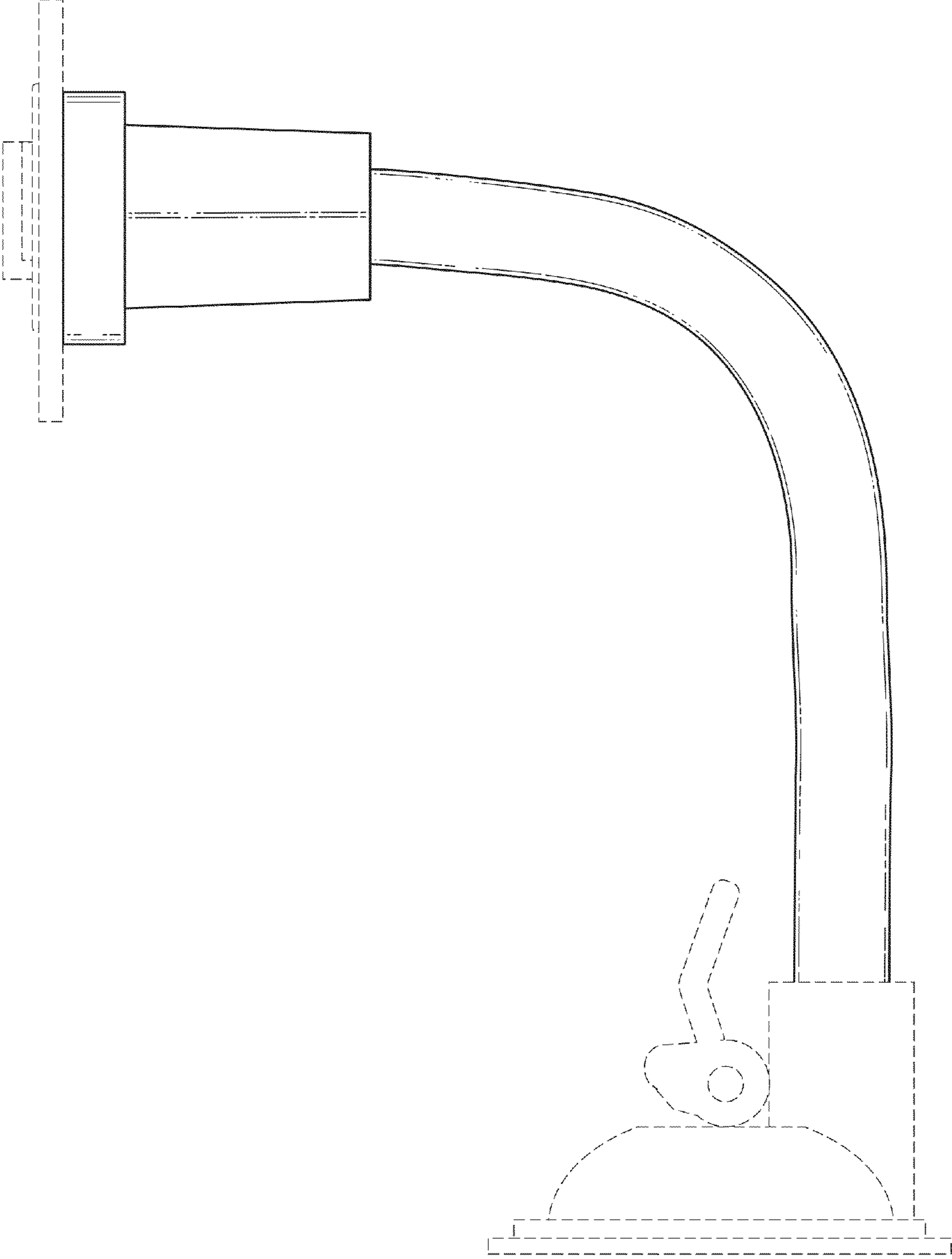


FIG. 6