



US00D700175S

(12) **United States Design Patent**
Ohm

(10) **Patent No.:** **US D700,175 S**

(45) **Date of Patent:** **** Feb. 25, 2014**

(54) **MOBILE DEVICE MOUNTING APPARATUS**

(71) Applicant: **Bell Automotive Products, Inc.**,
Scottsdale, AZ (US)

(72) Inventor: **Patrick L. Ohm**, Mesa, AZ (US)

(73) Assignee: **Bell Automotive Products, Inc.**,
Scottsdale, AZ (US)

(**) Term: **14 Years**

(21) Appl. No.: **29/452,528**

(22) Filed: **Apr. 17, 2013**

(51) **LOC (10) Cl.** **14-03**

(52) **U.S. Cl.**
USPC **D14/253**

(58) **Field of Classification Search**
USPC D14/140, 140.8, 142, 168, 204, 209.1,
D14/217, 221, 243-256, 434, 447, 452;
D3/215, 218, 269; D2/861; D6/300,
D6/310, 467, 553-574; 292/342, 343;
D19/90; D12/411, 415; D13/108;
379/446, 455; D8/363

See application file for complete search history.

(56) **References Cited**

U.S. PATENT DOCUMENTS

D411,207	S	*	6/1999	Richter	D14/253
D411,544	S	*	6/1999	Richter	D14/253
D521,990	S	*	5/2006	Richter	D14/253
D533,053	S	*	12/2006	Brassard	D8/373
D533,054	S	*	12/2006	Brassard	D8/373
D533,055	S	*	12/2006	Brassard	D8/373
2004/0155164	A1	*	8/2004	Richter	248/274.1
2005/0109899	A1	*	5/2005	Yeh	248/205.5

* cited by examiner

Primary Examiner — Susan Bennett Hattan

Assistant Examiner — Janice Hallmark

(74) *Attorney, Agent, or Firm* — Booth Udall Fuller, PLC

(57) **CLAIM**

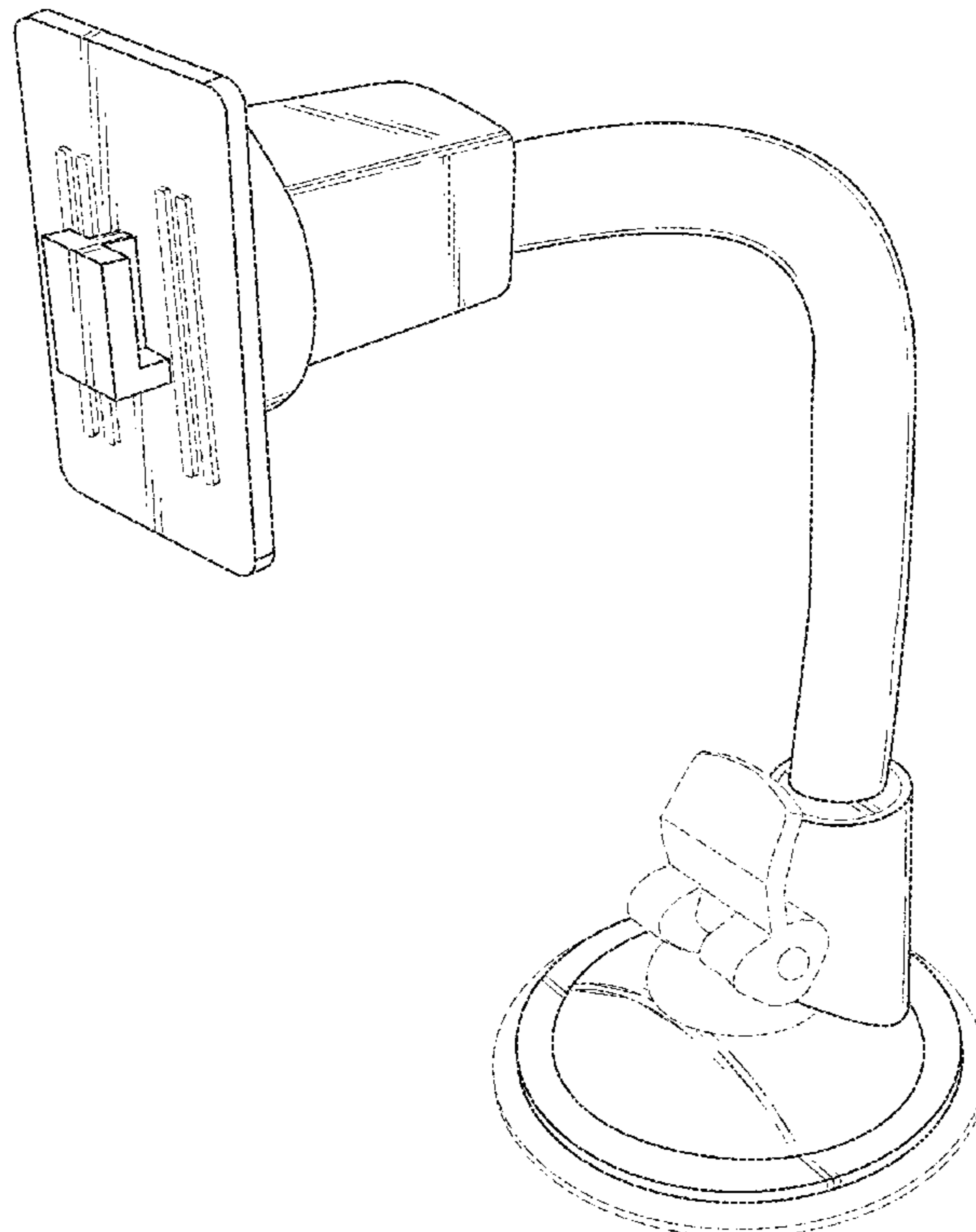
The ornamental design for a mobile device mounting apparatus, as shown and described.

DESCRIPTION

FIG. 1 is a top view of a mobile device mounting apparatus; FIG. 2 is a bottom view thereof; FIG. 3 is a front view thereof; FIG. 4 is a perspective view thereof; FIG. 5 is a rear view thereof; and, FIG. 6 is a right side view thereof, the left side being a mirror image to the right side.

The broken lines are included for the purpose of illustrating environmental features and form no part of the claimed design.

1 Claim, 6 Drawing Sheets



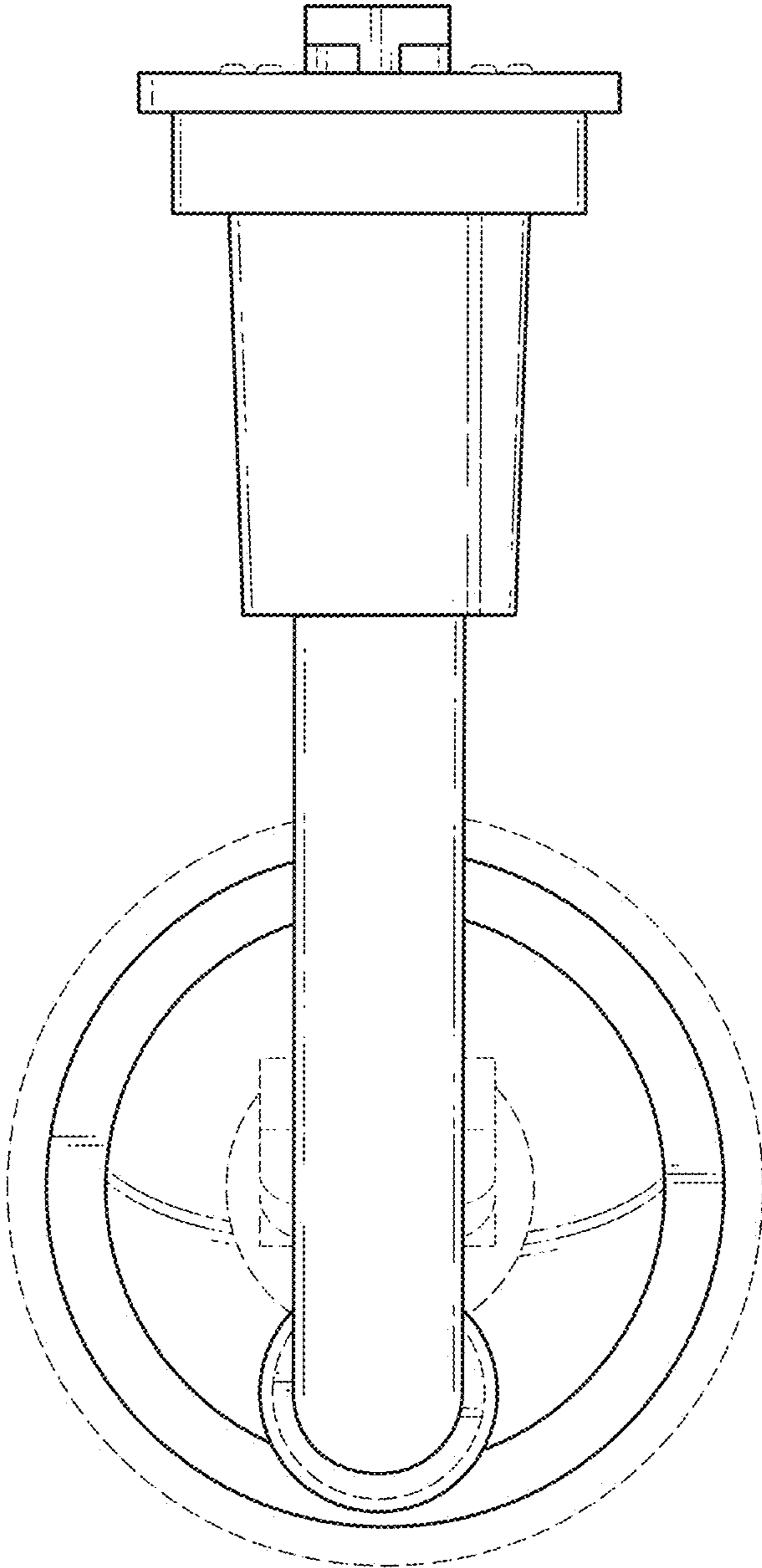


FIG. 1

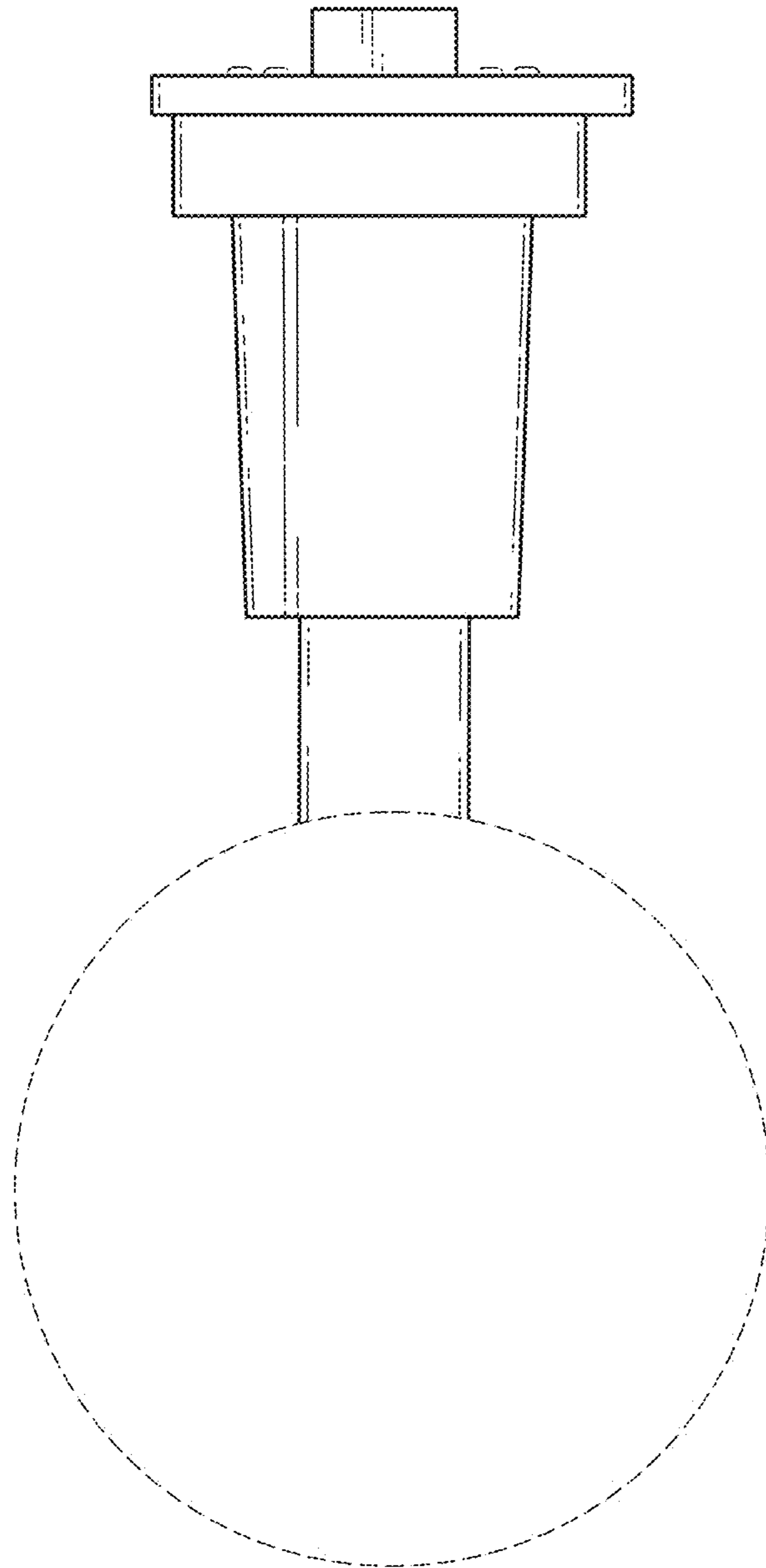


FIG. 2

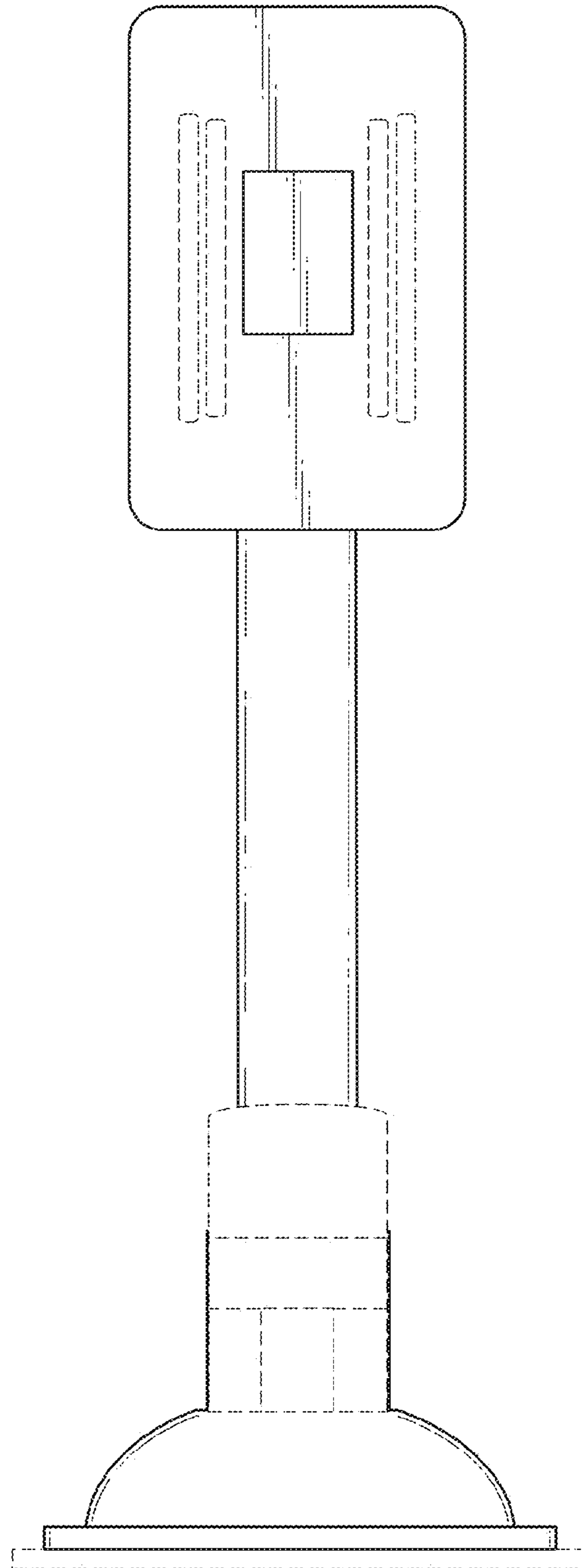


FIG.3

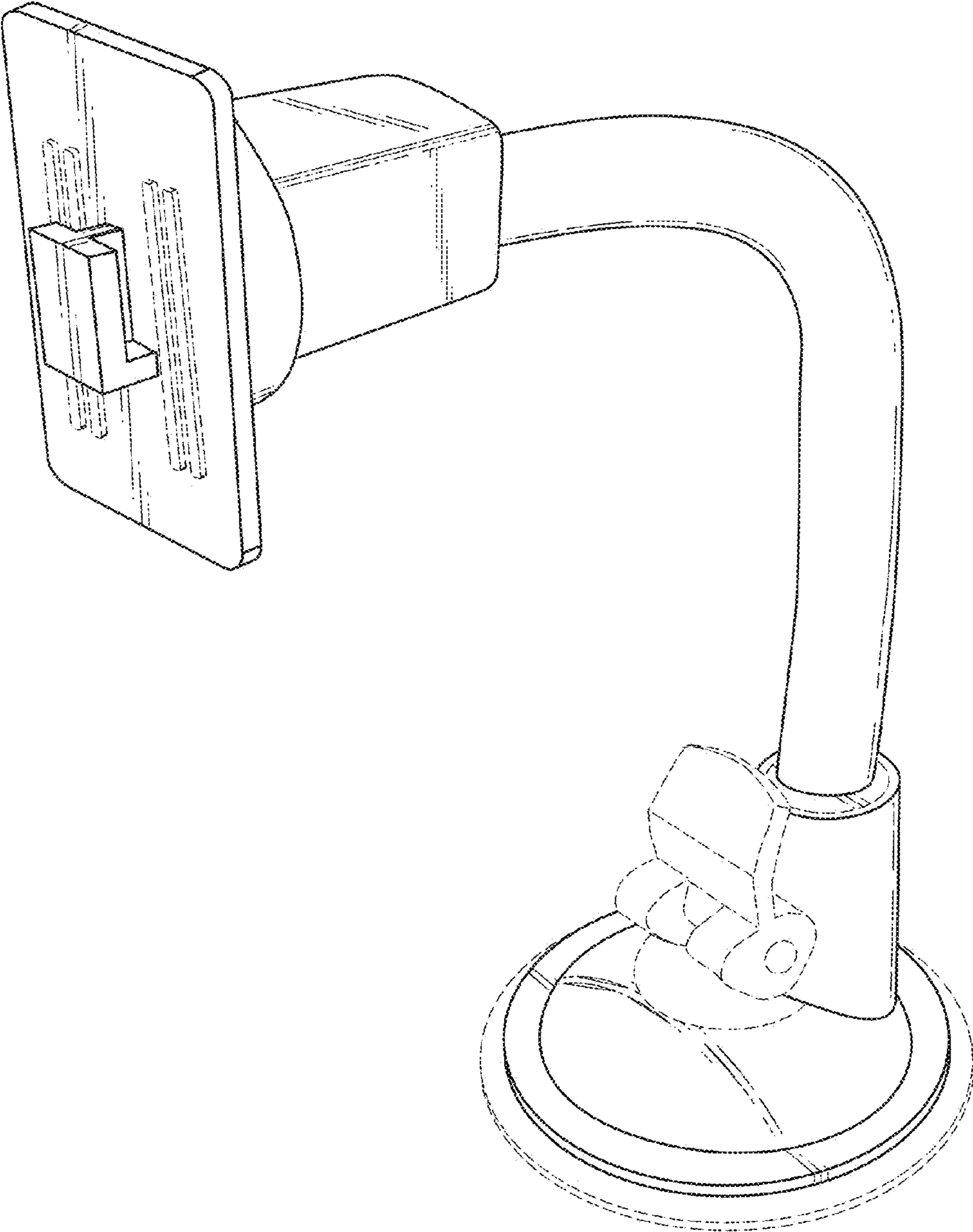


FIG. 4

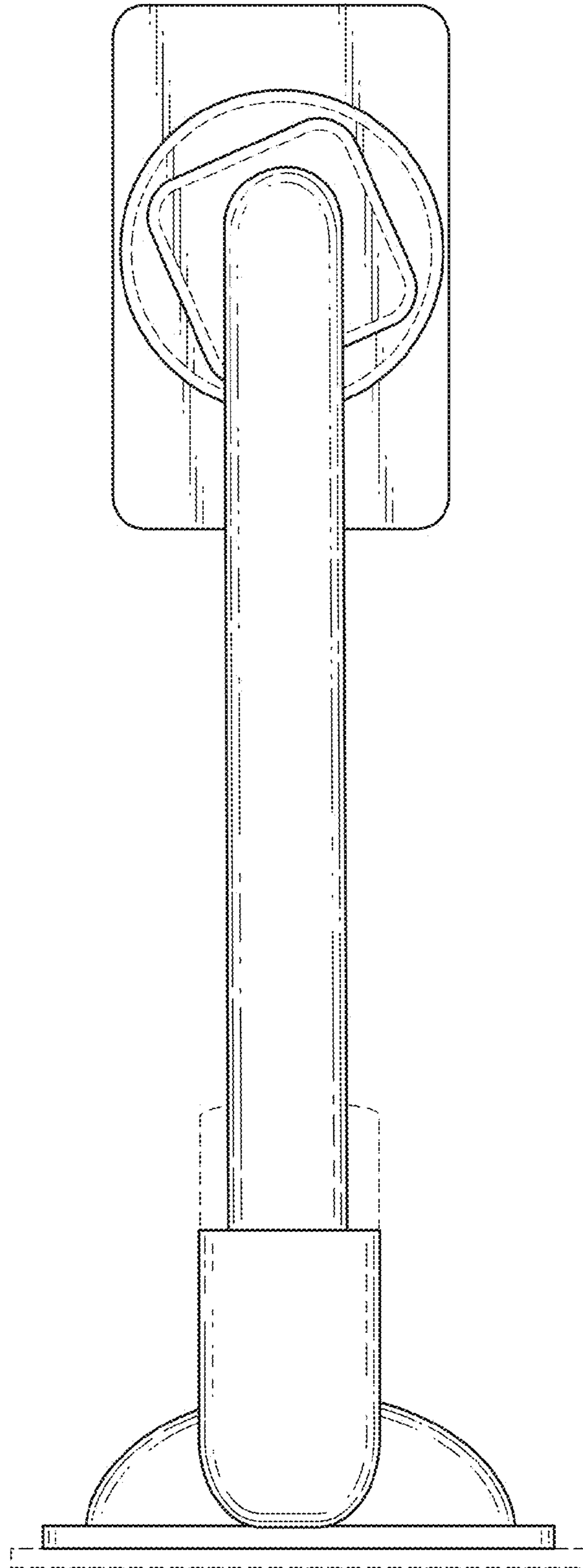


FIG.5

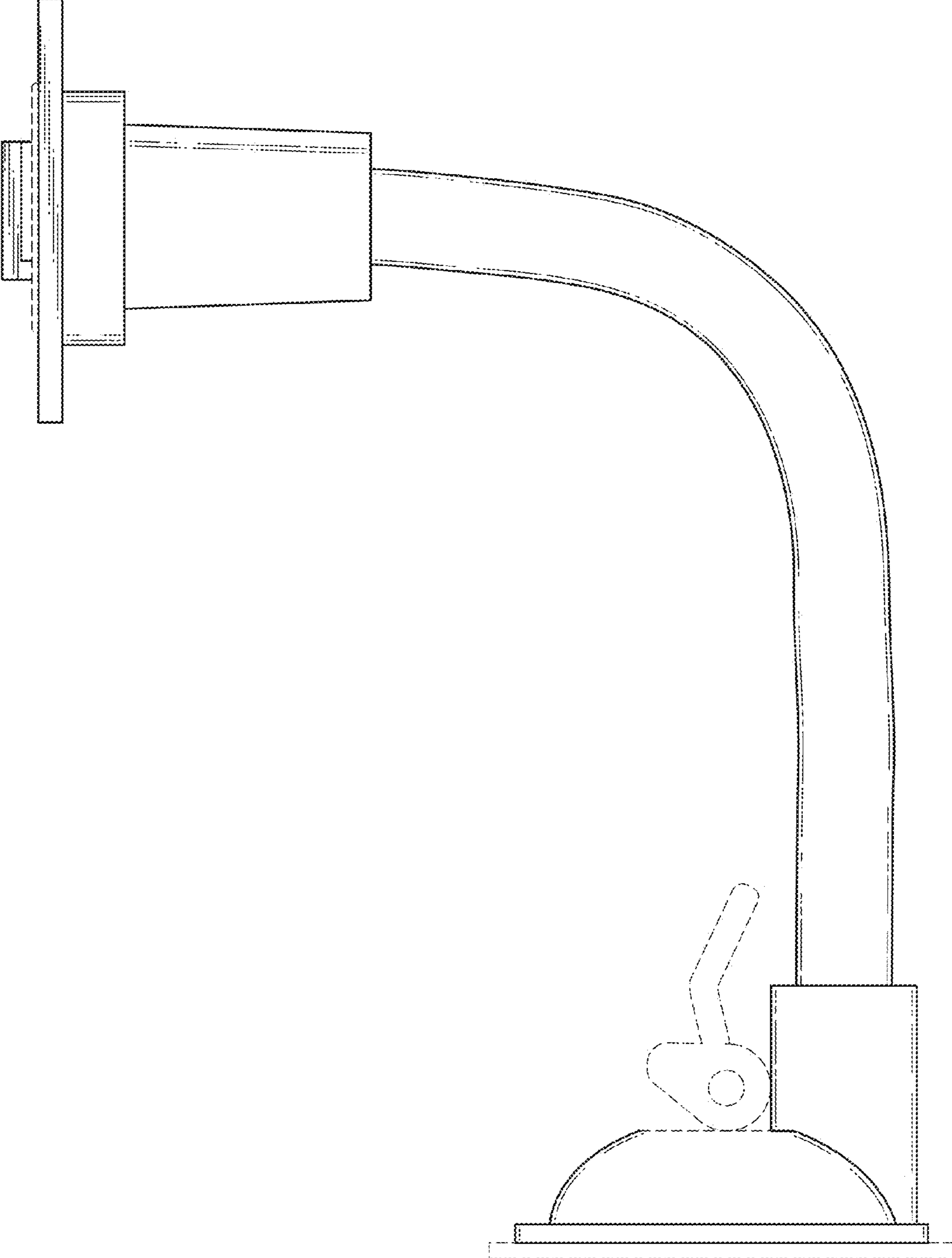


FIG. 6