



US00D700170S

(12) **United States Design Patent**
Choi et al.

(10) **Patent No.:** **US D700,170 S**

(45) **Date of Patent:** **** Feb. 25, 2014**

(54) **TELEVISION STAND**

(71) Applicant: **Samsung Electronics Co., Ltd.**,
Suwon-si (KR)

(72) Inventors: **Su-An Choi**, Seoul (KR); **Eui-Seok Kim**, Seongnam-Si (KR)

(73) Assignee: **Samsung Electronics Co., Ltd.**,
Suwon-si (KR)

(**) Term: **14 Years**

(21) Appl. No.: **29/446,930**

(22) Filed: **Feb. 28, 2013**

(30) **Foreign Application Priority Data**

Aug. 29, 2012 (KR) 30-2012-0041582

(51) **LOC (10) Cl.** **14-03**

(52) **U.S. Cl.**
USPC **D14/239**; D14/451

(58) **Field of Classification Search**
USPC D14/211, 238, 251, 253, 371-382,
D14/125-129, 336, 337, 447, 448, 451, 452,
D14/492, 450, 239; 341/12; 345/104, 156,
345/168, 173; 348/180, 184, 325, 739;
349/1, 2, 11, 62; 361/679.05-679.07,
361/679.21; D6/300, 310-313, 308, 708
See application file for complete search history.

(56) **References Cited**

U.S. PATENT DOCUMENTS

D203,199 S * 12/1965 Beckman D6/495
D236,058 S * 7/1975 Kramer D6/484
D303,625 S * 9/1989 Ryser et al. D8/336

D439,067 S * 3/2001 Vertongen D6/370
8,000,092 B2 * 8/2011 Kim 361/679.21
D656,913 S * 4/2012 Ann et al. D14/126
D670,257 S * 11/2012 Yang et al. D14/126
D671,923 S * 12/2012 Seong et al. D14/239
8,390,996 B2 * 3/2013 Park 361/679.22
D680,089 S * 4/2013 Cho et al. D14/126
D680,106 S * 4/2013 Hwangbo et al. D14/239
D682,799 S * 5/2013 Hwang Bo et al. D14/126
D683,735 S * 6/2013 Chang D14/451

* cited by examiner

Primary Examiner — Deanna L Pratt

Assistant Examiner — Katie Mroczka

(74) *Attorney, Agent, or Firm* — NSIP Law

(57) **CLAIM**

The ornamental design for a television stand, as shown and described.

DESCRIPTION

FIG. 1 is a front perspective view of a television stand;
FIG. 2 is a front view of the television stand of FIG. 1;
FIG. 3 is a rear view of the television stand of FIG. 1;
FIG. 4 is a left-side view of the television stand of FIG. 1;
FIG. 5 is a right-side view of the television stand of FIG. 1;
FIG. 6 is a top plan view of the television stand of FIG. 1;
FIG. 7 is a bottom plan view of the television stand of FIG. 1;
and,

FIG. 8 is another perspective view of the television stand of FIG. 1, shown in the context of unclaimed environment.

The broken lines in FIGS. 1-7 illustrate portions of the TV stand that form no part of the claimed design. The broken line showing of the display panel and of the second television stand in FIG. 8 are included for the purpose of illustrating the environment of the claimed design and form no part thereof.

1 Claim, 8 Drawing Sheets

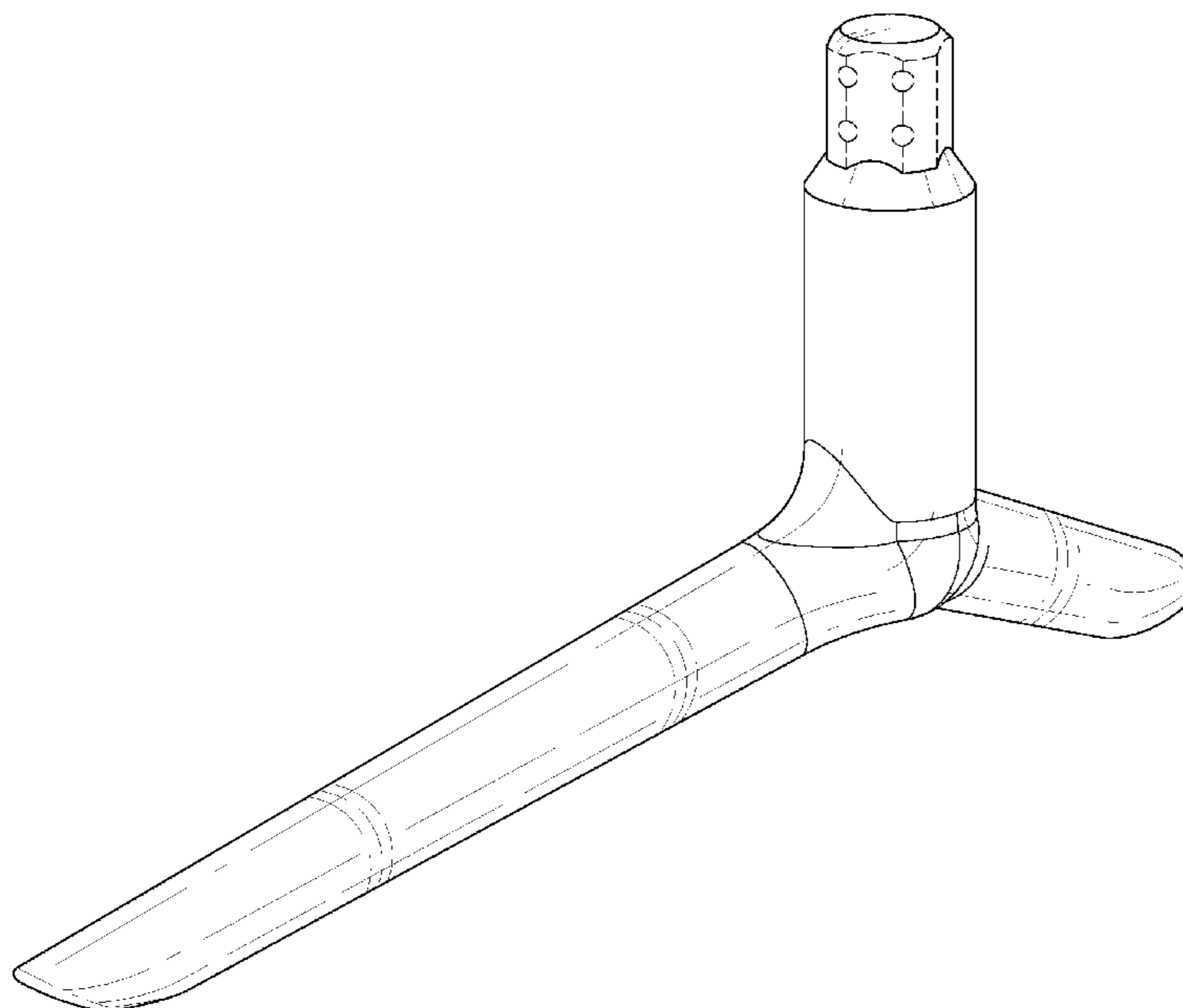


FIG. 1

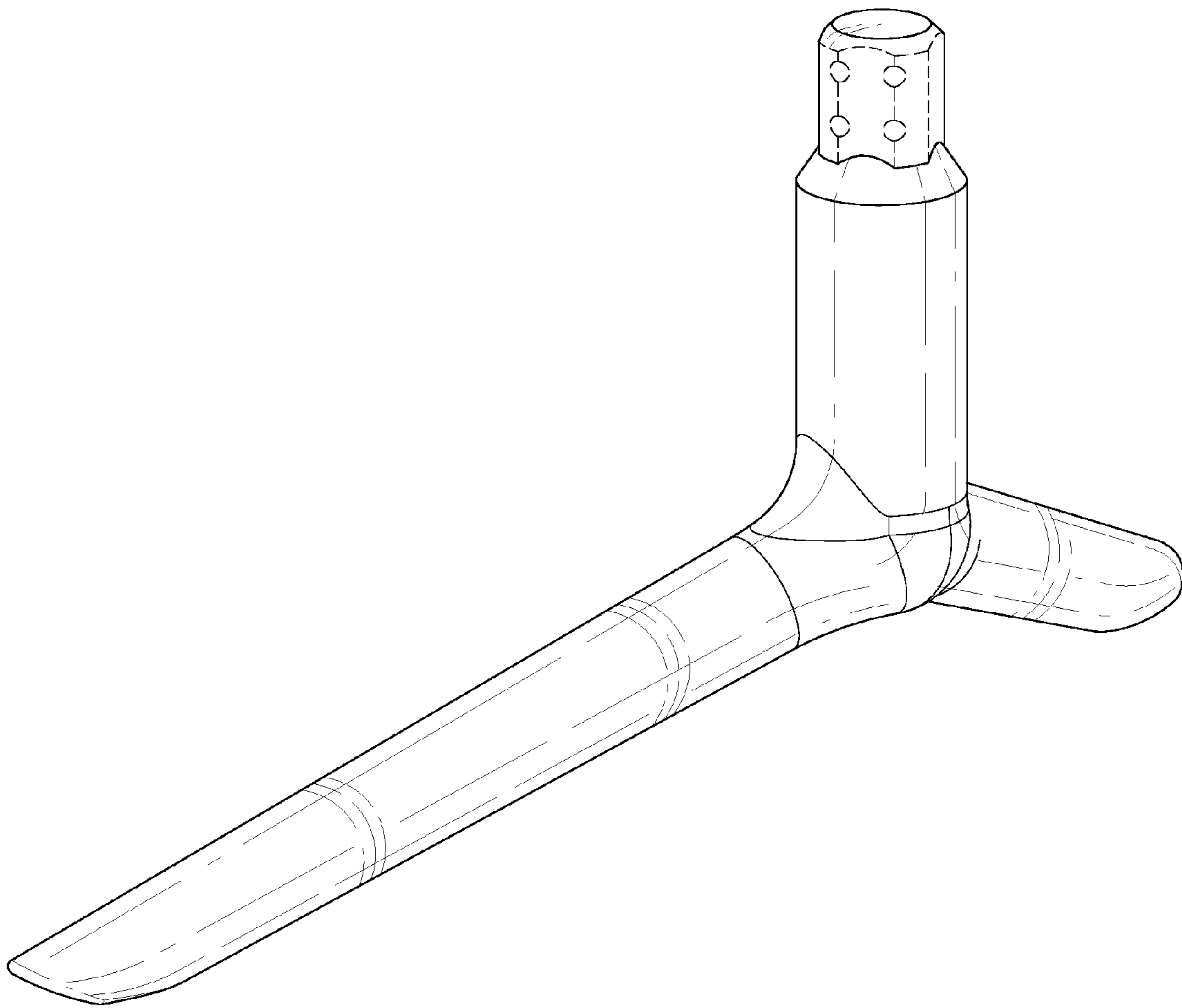


FIG. 2

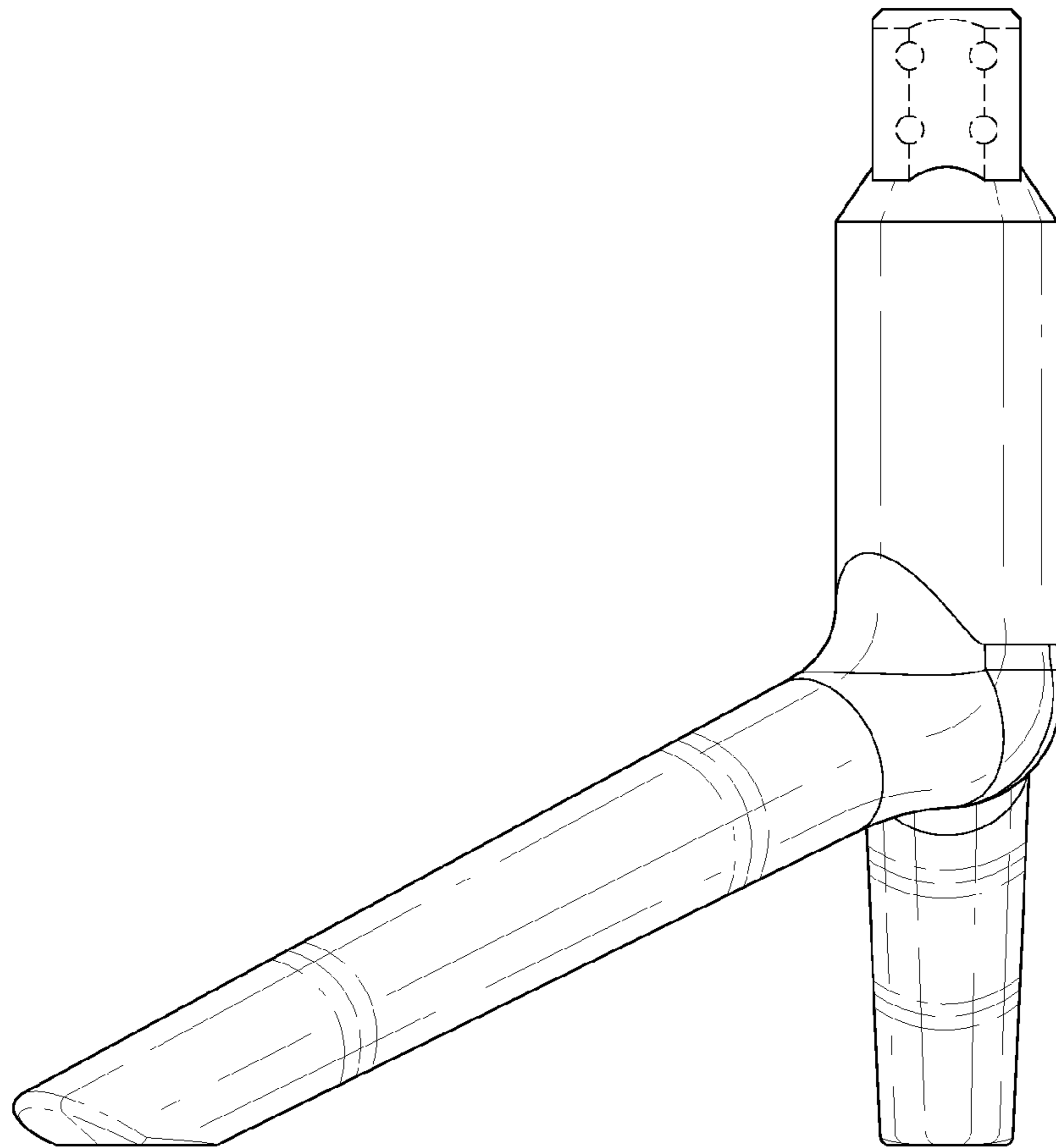


FIG. 3

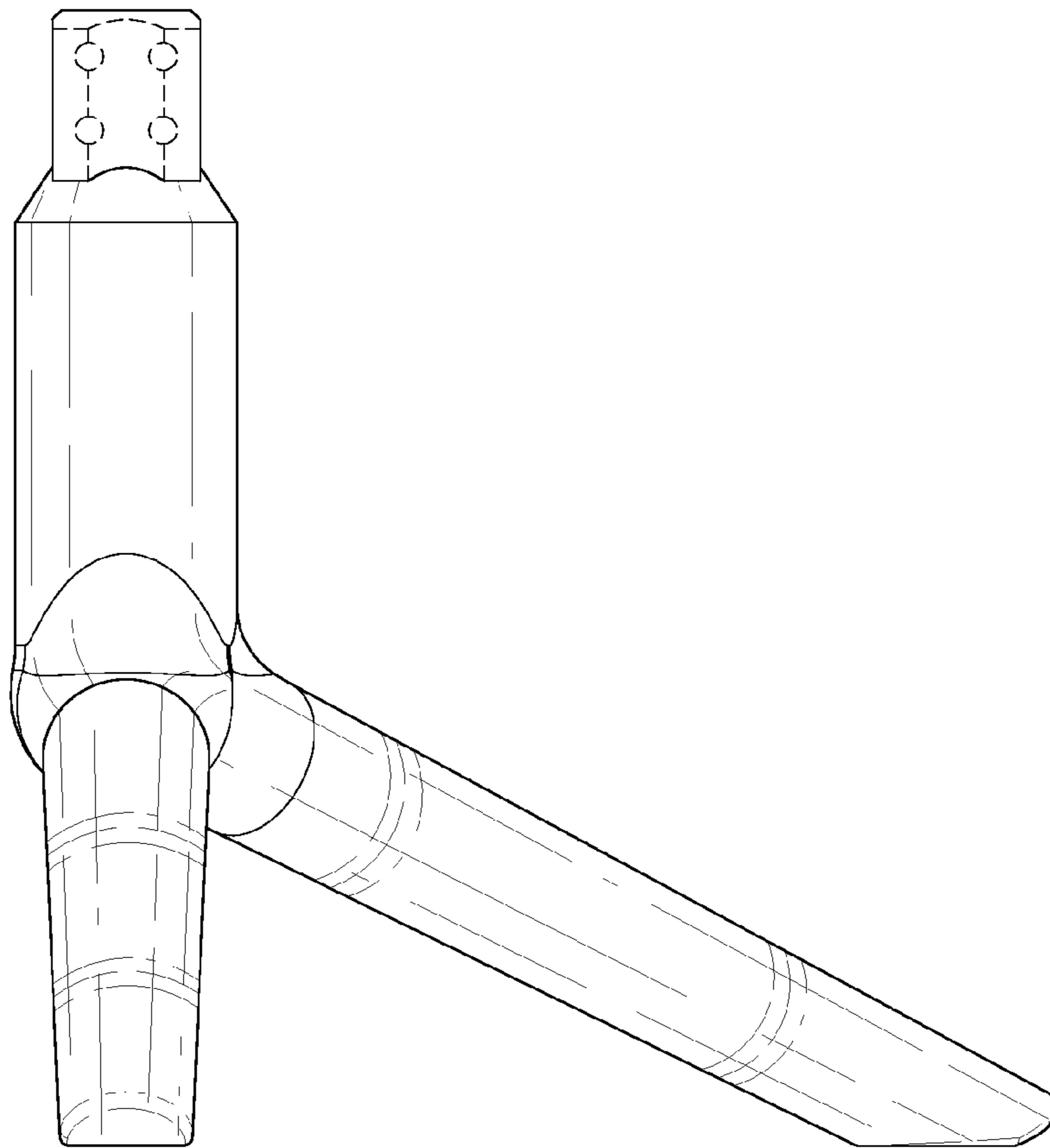


FIG. 4

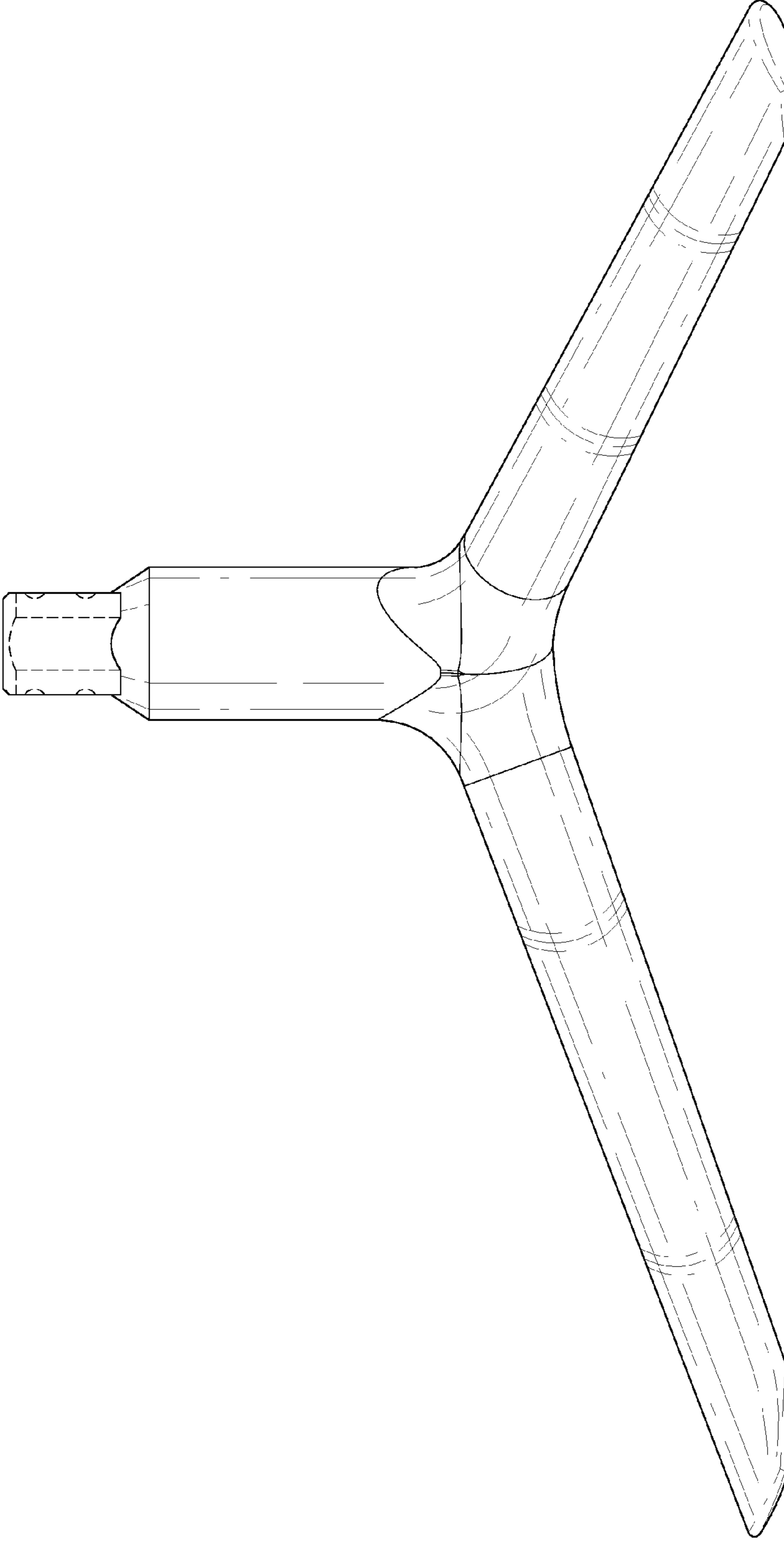


FIG. 5

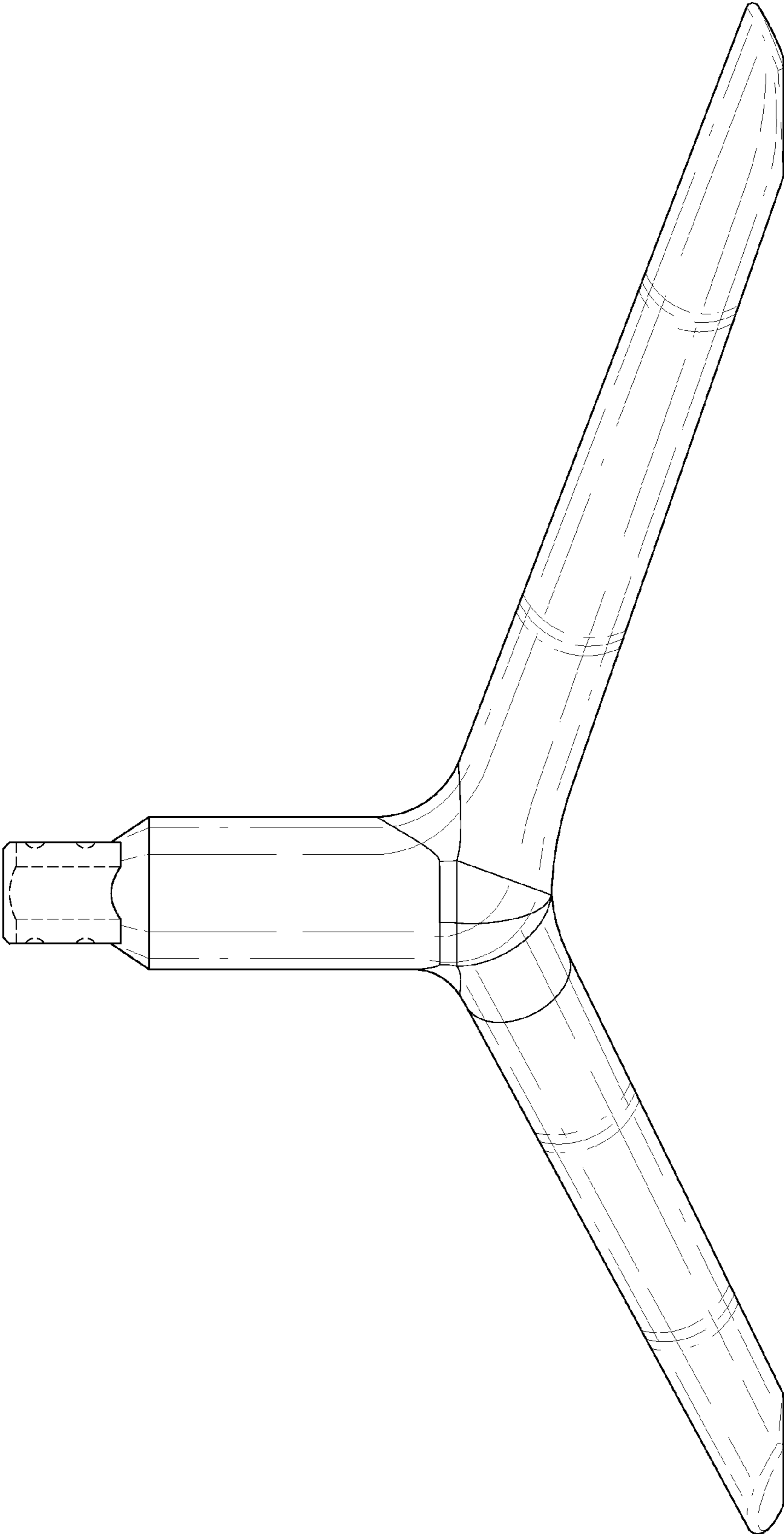


FIG. 6

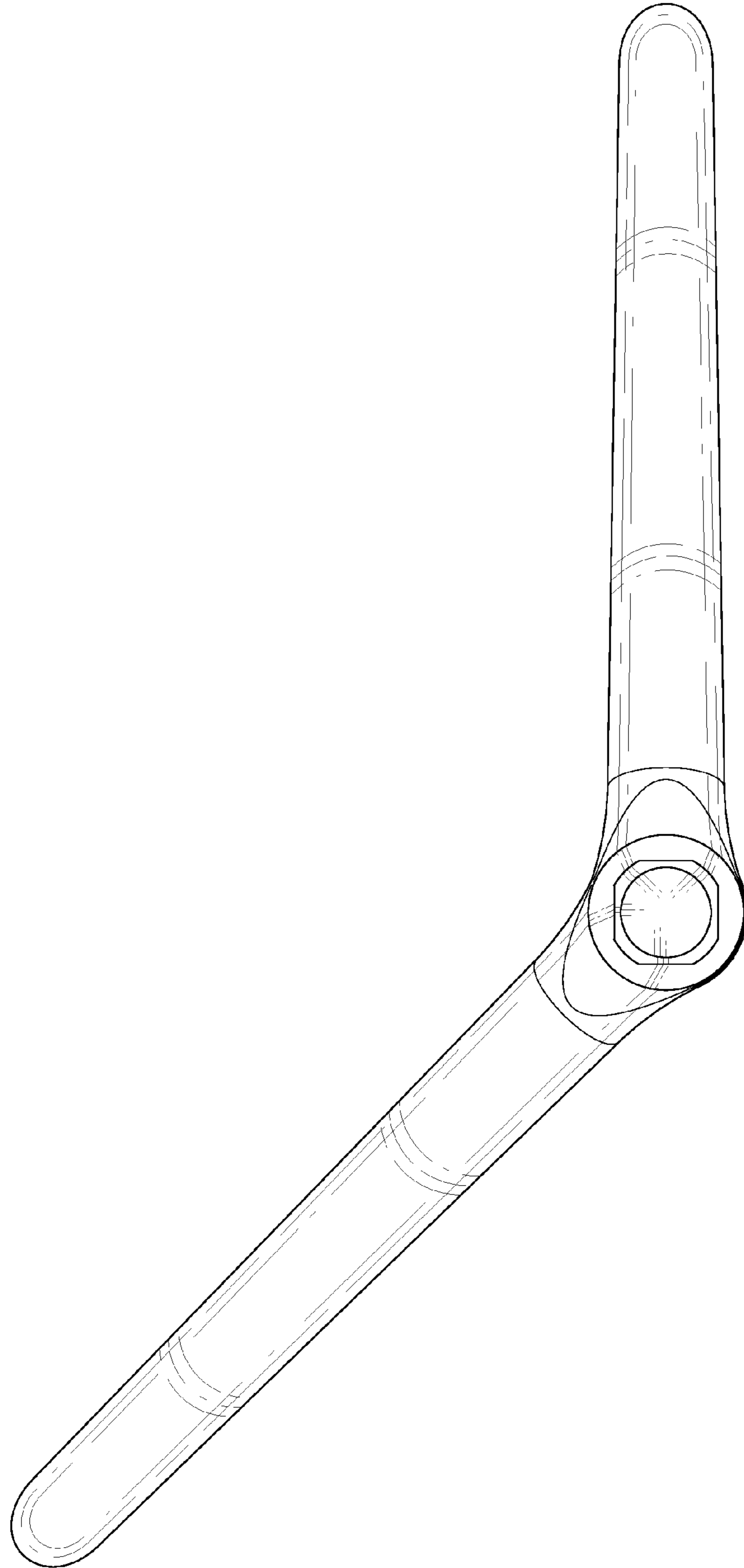


FIG. 7

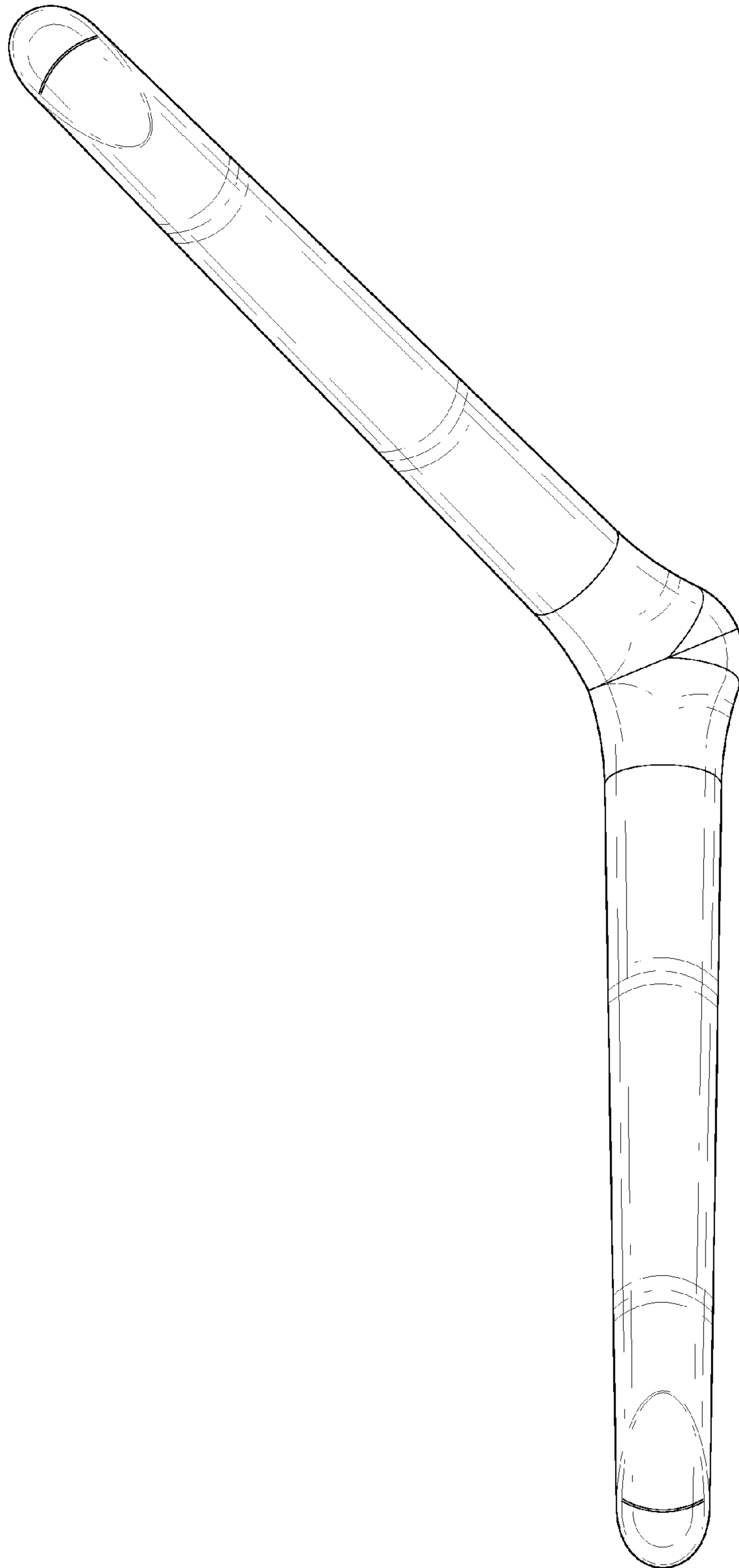


FIG. 8

