



US00D700168S

(12) **United States Design Patent**
Bolton

(10) **Patent No.:** **US D700,168 S**

(45) **Date of Patent:** **** Feb. 25, 2014**

(54) **SPEAKER**

(75) Inventor: **Charlie Bolton**, Princes Court (HK)

(73) Assignee: **Koninklijke Philips Electronics N.V.**,
Eindhoven (NL)

(**) Term: **14 Years**

(21) Appl. No.: **29/410,093**

(22) Filed: **Jan. 4, 2012**

(30) **Foreign Application Priority Data**

Jul. 7, 2011 (EM) 001888231-0001

(51) **LOC (10) Cl.** **14-03**

(52) **U.S. Cl.**
USPC **D14/216**

(58) **Field of Classification Search**

None
See application file for complete search history.

(56) **References Cited**

U.S. PATENT DOCUMENTS

D215,447 S * 10/1969 Carney D13/110
D260,877 S * 9/1981 Scott et al. D13/110
D467,241 S * 12/2002 Solland D14/224
D483,741 S * 12/2003 Olson et al. D14/216

D509,183 S * 9/2005 Solland et al. D13/108
D536,665 S * 2/2007 Solland D13/108
D611,033 S * 3/2010 Ferber et al. D14/209.1

OTHER PUBLICATIONS

Horwitz, Jeremy; iLounge.com; "Philips Fidelio SoundRing DS3881W Wireless Speaker with AirPlay"; <http://www.ilounge.com/index/php/reviews/entry/philips-fidelio-soundring-ds3881w-wireless-speaker-with-airplay/>; dated Dec. 15, 2011; accessed Oct. 1, 2013; 6pgs.*

* cited by examiner

Primary Examiner — Keli L Hill

(74) *Attorney, Agent, or Firm* — Venable LLP; Steven J. Schwarz

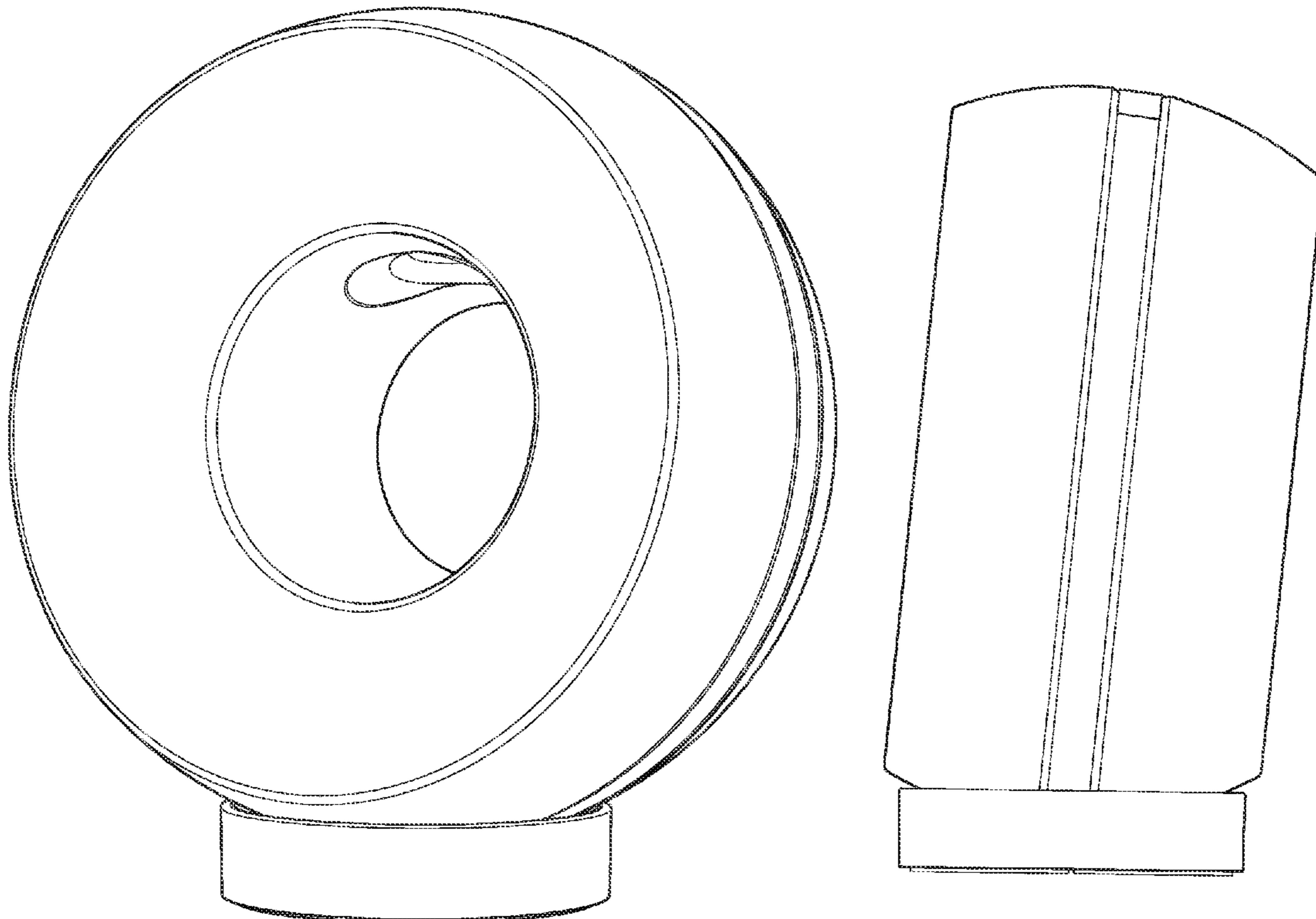
(57) **CLAIM**

The ornamental design for a speaker, as shown.

DESCRIPTION

FIG. 1 is a perspective view showing my design;
FIG. 2 is a front elevational view thereof;
FIG. 3 is a rear elevational view thereof;
FIG. 4 is a right side elevational view thereof;
FIG. 5 is a left side elevational view thereof;
FIG. 6 is a top plan view thereof; and,
FIG. 7 is a bottom plan view thereof.

1 Claim, 4 Drawing Sheets



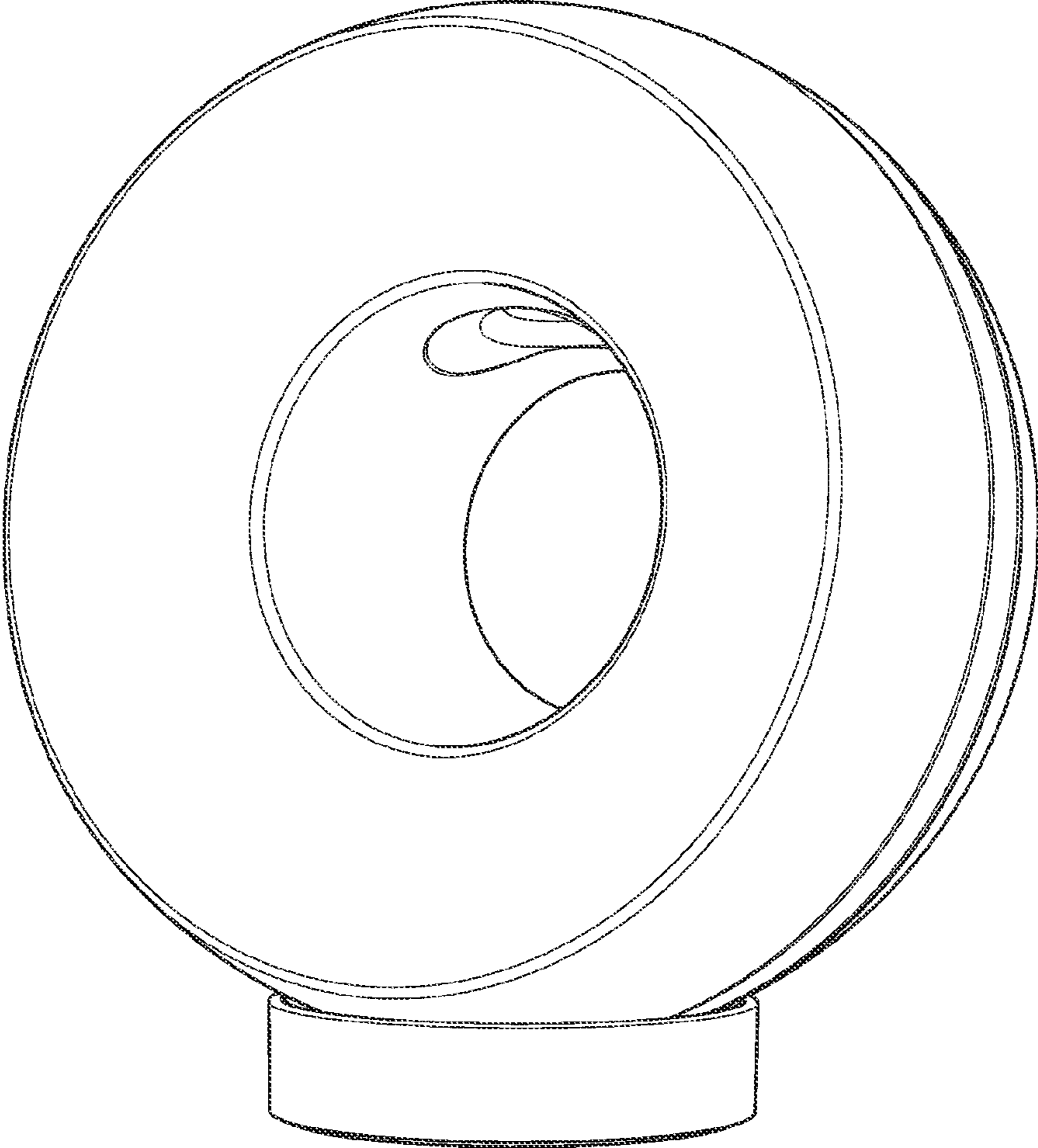


FIG. 1

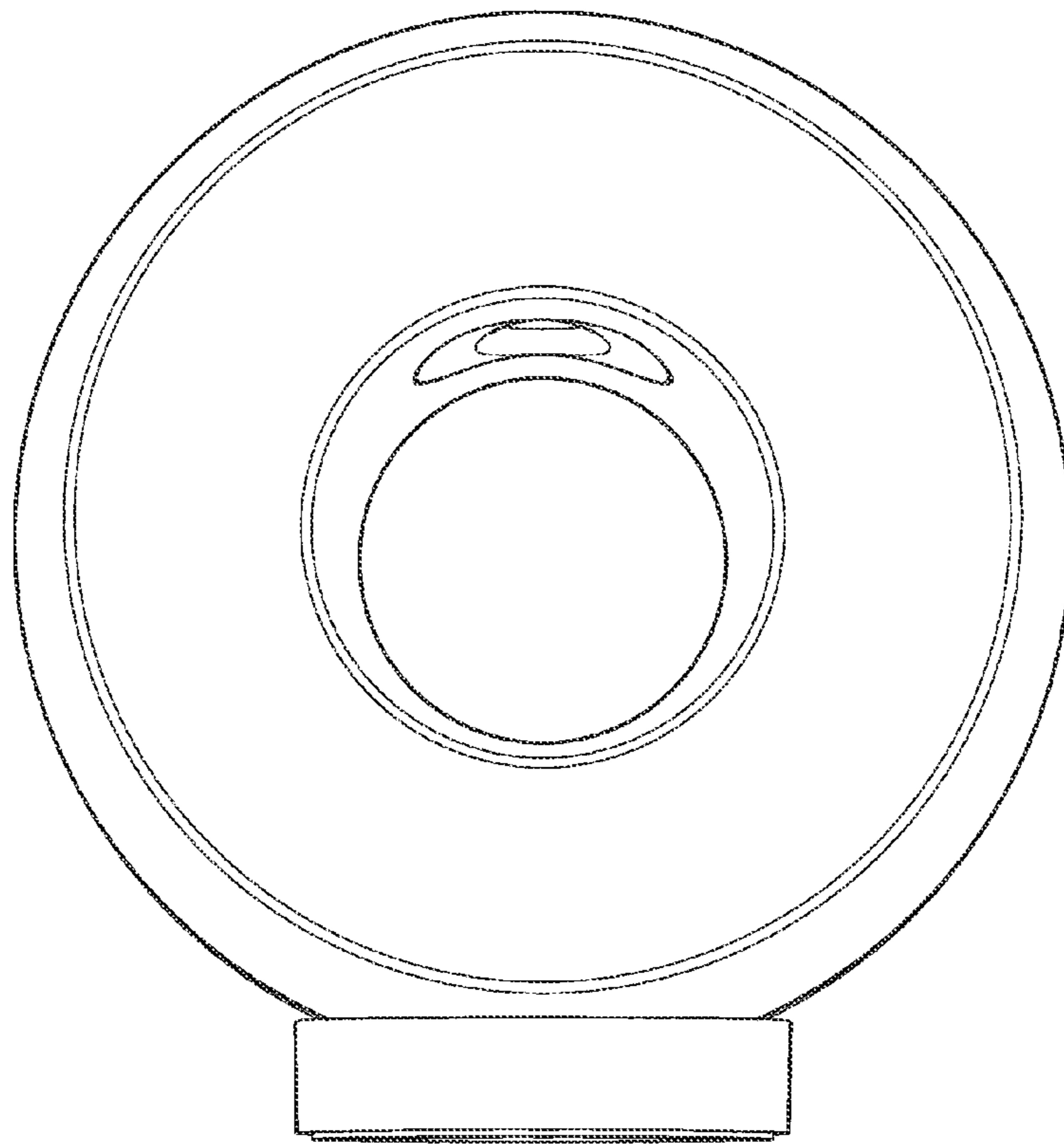


FIG. 2

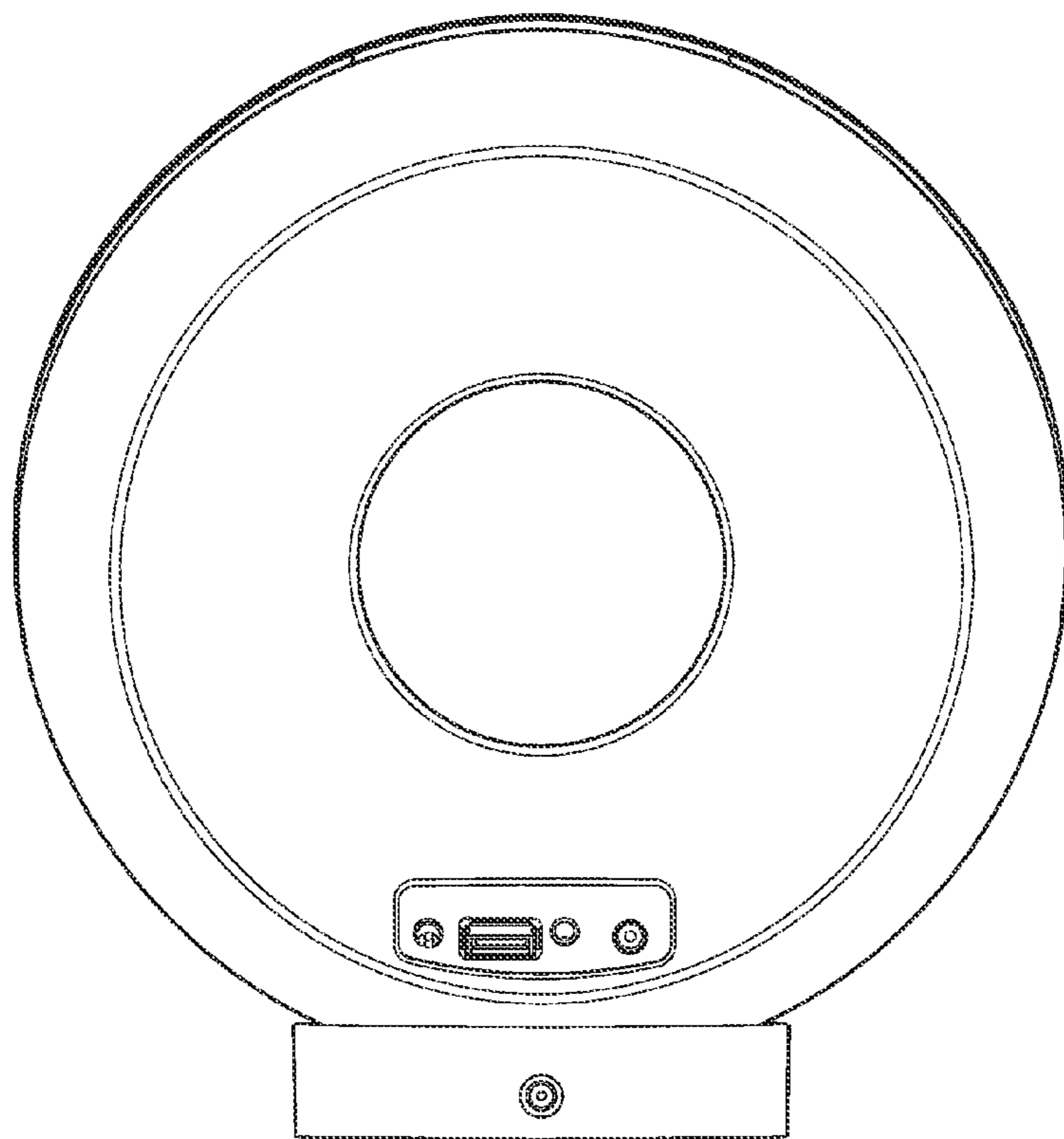


FIG. 3

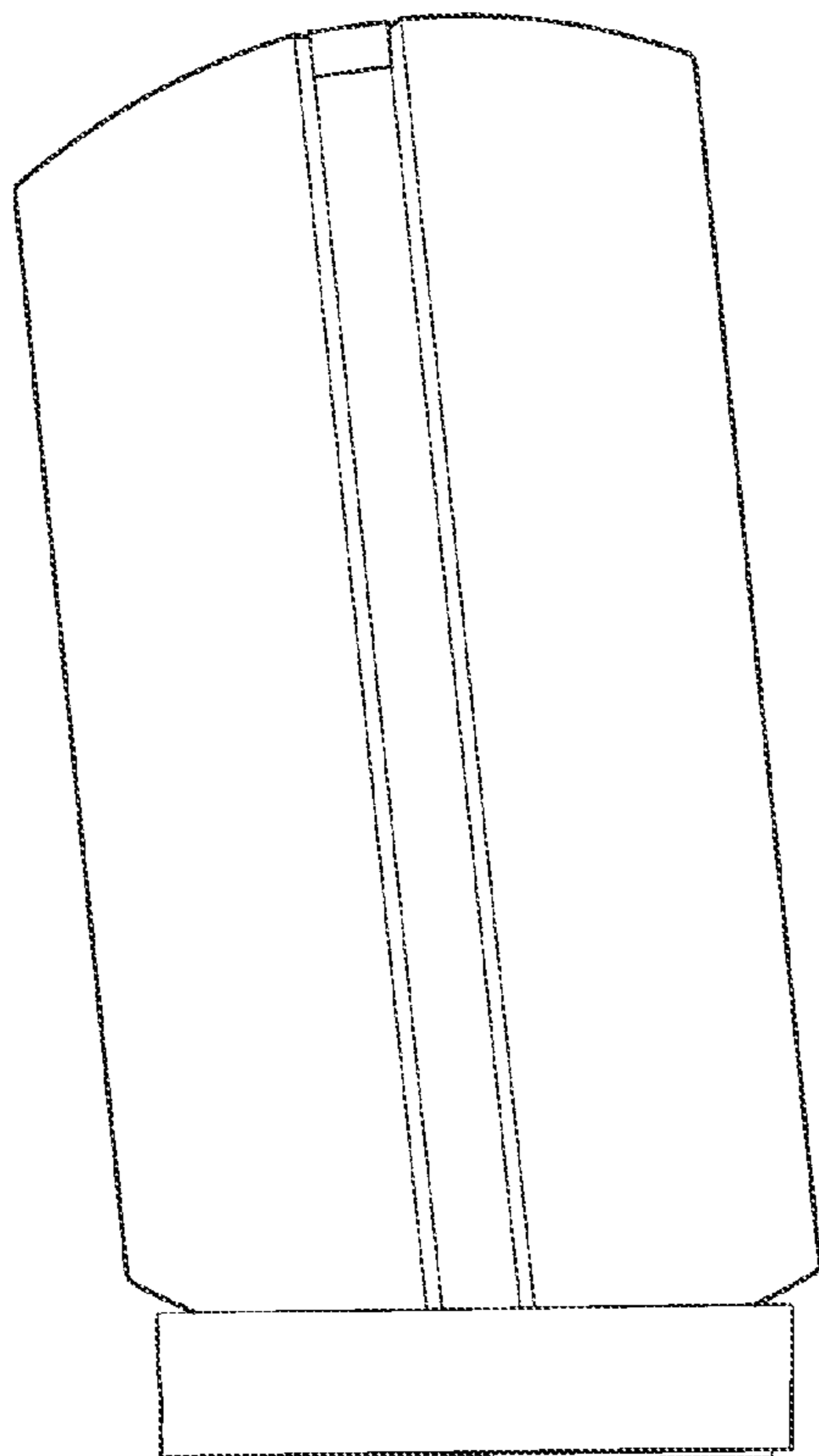


FIG. 4

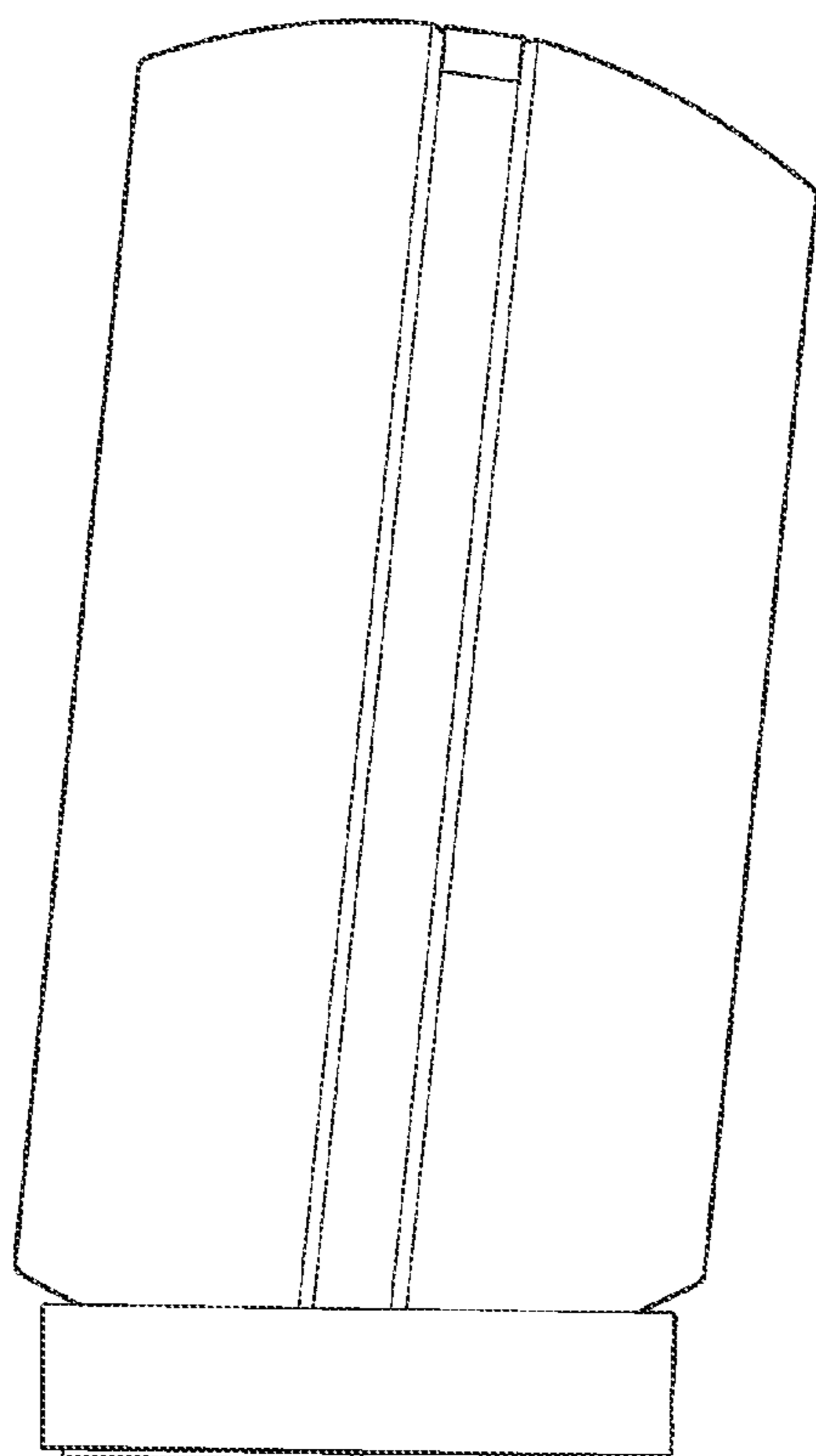


FIG. 5

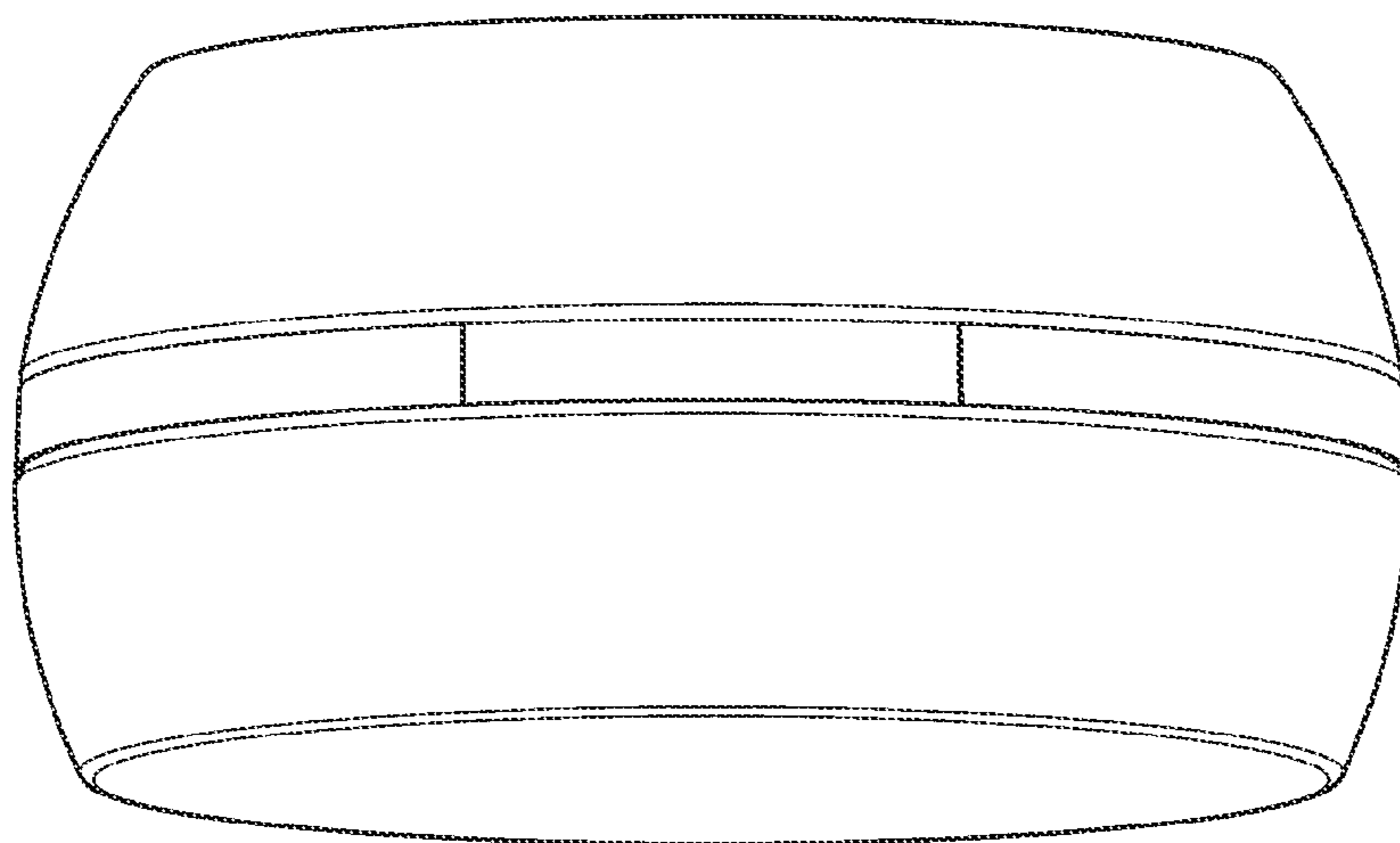


FIG. 6

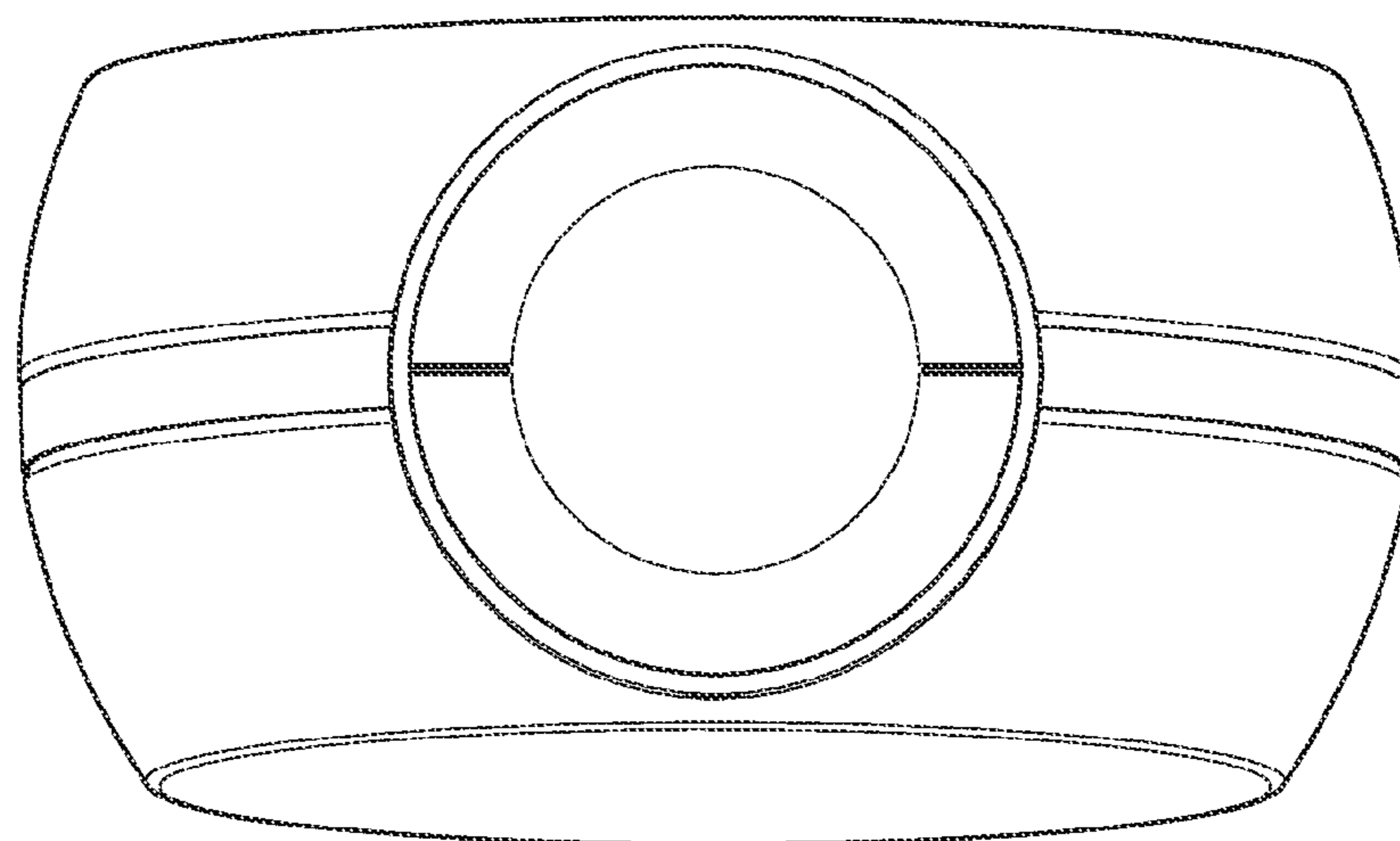


FIG. 7