



US00D700166S

(12) **United States Design Patent**  
**Petersen**

(10) **Patent No.:** **US D700,166 S**

(45) **Date of Patent:** **\*\* \*Feb. 25, 2014**

(54) **AUDIO SPEAKER**

(75) **Inventor:** **Christopher M. Petersen**, Milford, NH (US)

(73) **Assignee:** **Brookstone Purchasing, Inc.**, Merrimack, NH (US)

(\*) **Notice:** This patent is subject to a terminal disclaimer.

(\*\*) **Term:** **14 Years**

(21) **Appl. No.:** **29/399,907**

(22) **Filed:** **Aug. 19, 2011**

(51) **LOC (10) Cl.** ..... **14-03**

(52) **U.S. Cl.**  
USPC ..... **D14/204**

(58) **Field of Classification Search**  
USPC ..... D14/172, 194, 196, 204, 207, 210–216;  
181/143, 144, 147, 148, 150, 153, 157,  
181/198, 199; 381/300–303, 306, 332, 333,  
381/336, 345, 361–364, 386–388  
See application file for complete search history.

(56) **References Cited**

**U.S. PATENT DOCUMENTS**

D531,986 S *	11/2006	Azumi et al.	.....	D14/214
D597,529 S *	8/2009	Tan et al.	.....	D14/214
D599,322 S *	9/2009	Zheng	.....	D14/168
D600,251 S *	9/2009	Poandl	.....	D14/496

D601,998 S *	10/2009	Zheng	.....	D14/168
D614,200 S *	4/2010	Skurdal	.....	D14/496
D621,383 S *	8/2010	Hou	.....	D14/214
D621,384 S *	8/2010	Kao	.....	D14/214
D636,759 S *	4/2011	Chen	.....	D14/214
D645,841 S *	9/2011	Joseph	.....	D14/171
D647,505 S *	10/2011	Skurdal	.....	D14/209.1
D648,743 S *	11/2011	Chang	.....	D14/496
D659,670 S *	5/2012	Goetzen et al.	.....	D14/194

\* cited by examiner

*Primary Examiner* — Keli L Hill

(74) *Attorney, Agent, or Firm* — Grossman Tucker Perreault & Pflieger, PLLC

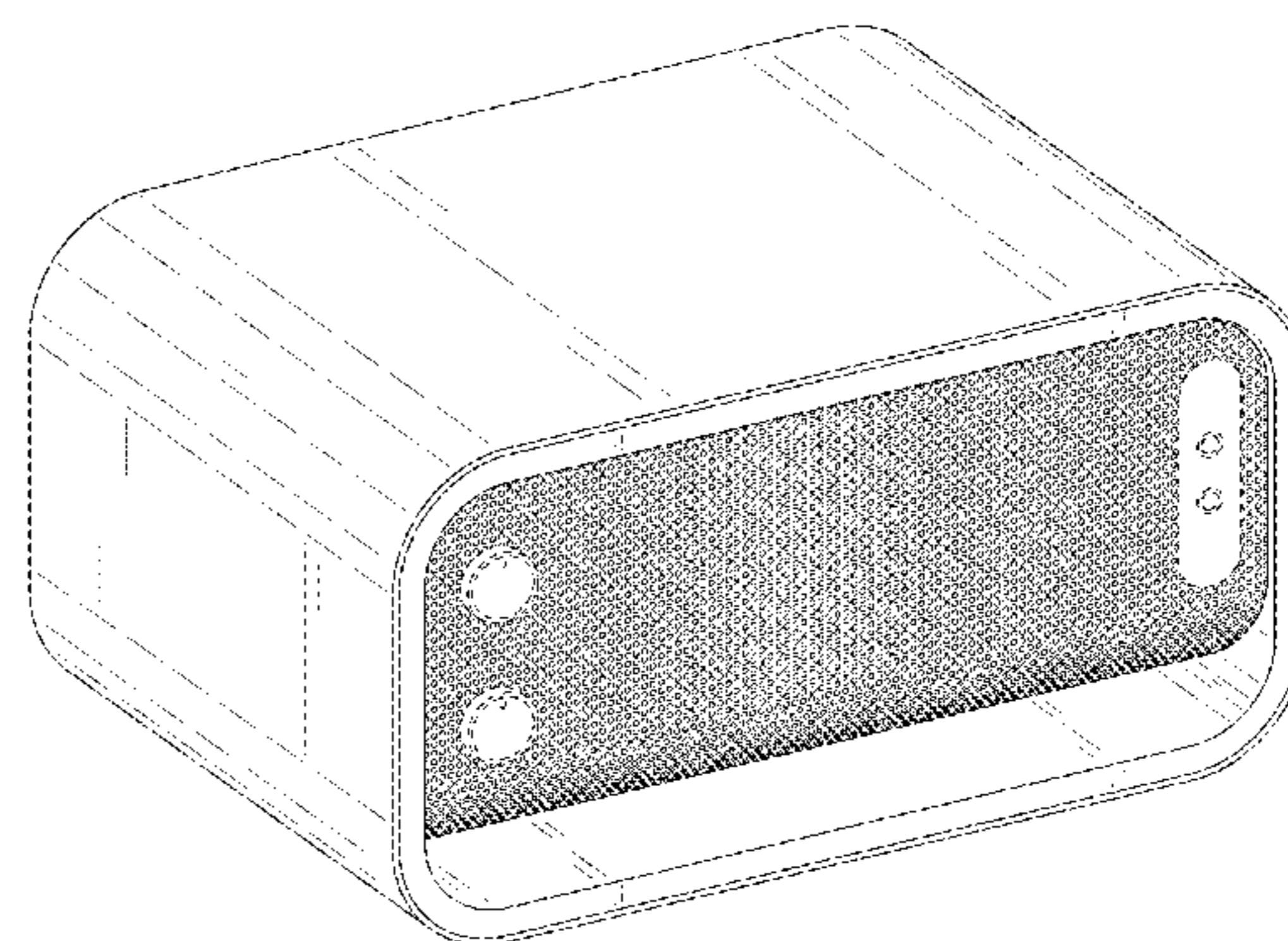
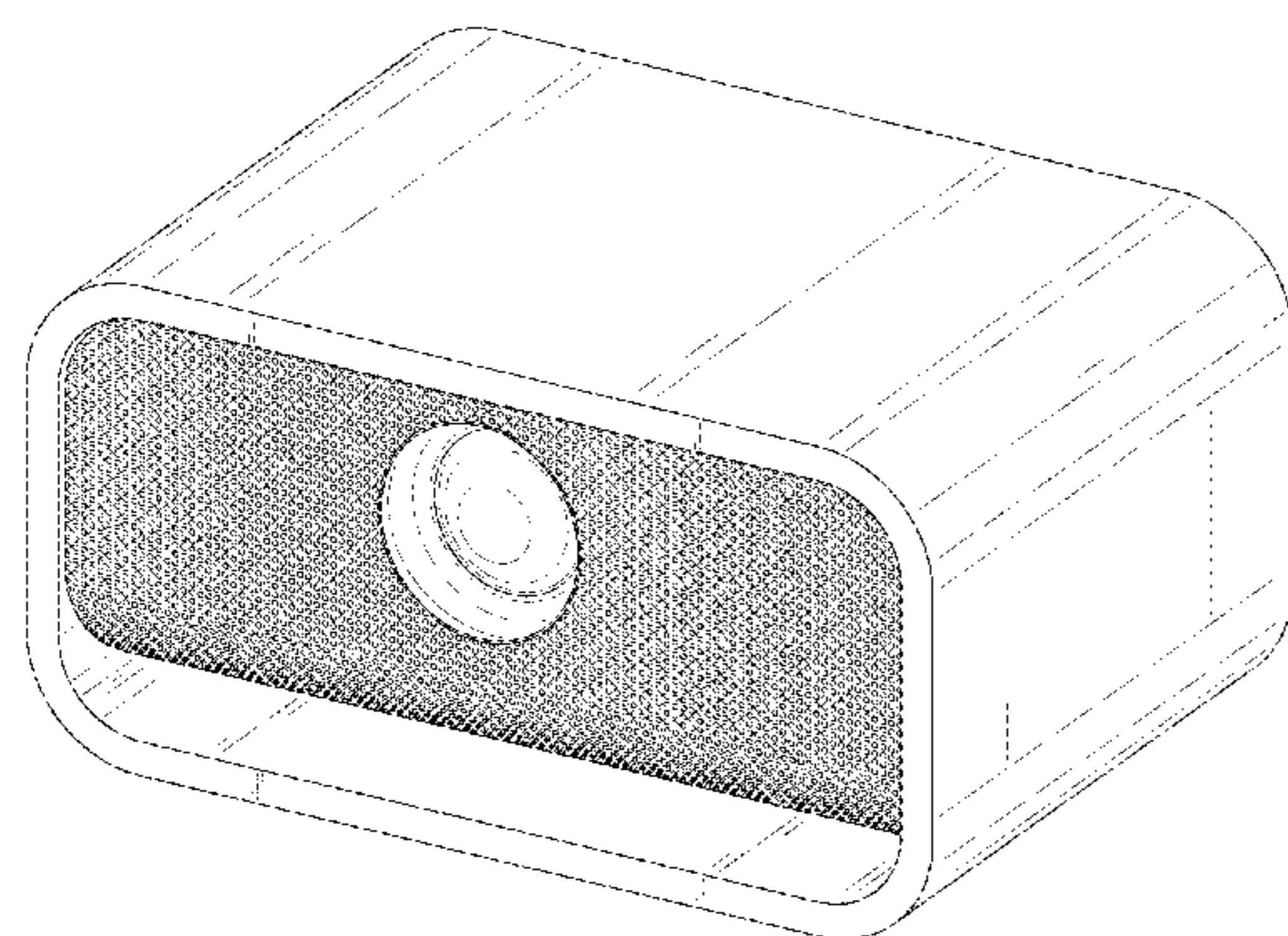
(57) **CLAIM**

The ornamental design for an audio speaker, as shown and described.

**DESCRIPTION**

FIG. 1 is a frontal perspective view of a first embodiment of an audio speaker.  
FIG. 2 is a front elevation view thereof.  
FIG. 3 is a rear elevation view thereof.  
FIG. 4 is a right-side elevation view thereof.  
FIG. 5 is a left-side elevation view thereof.  
FIG. 6 is a top plan view thereof.  
FIG. 7 is a bottom plan view thereof; and,  
FIG. 8 is a rear perspective view thereof.  
The broken lines are included for the purpose of illustrating the unclaimed portions of the article and form no part of the claim.

**1 Claim, 7 Drawing Sheets**



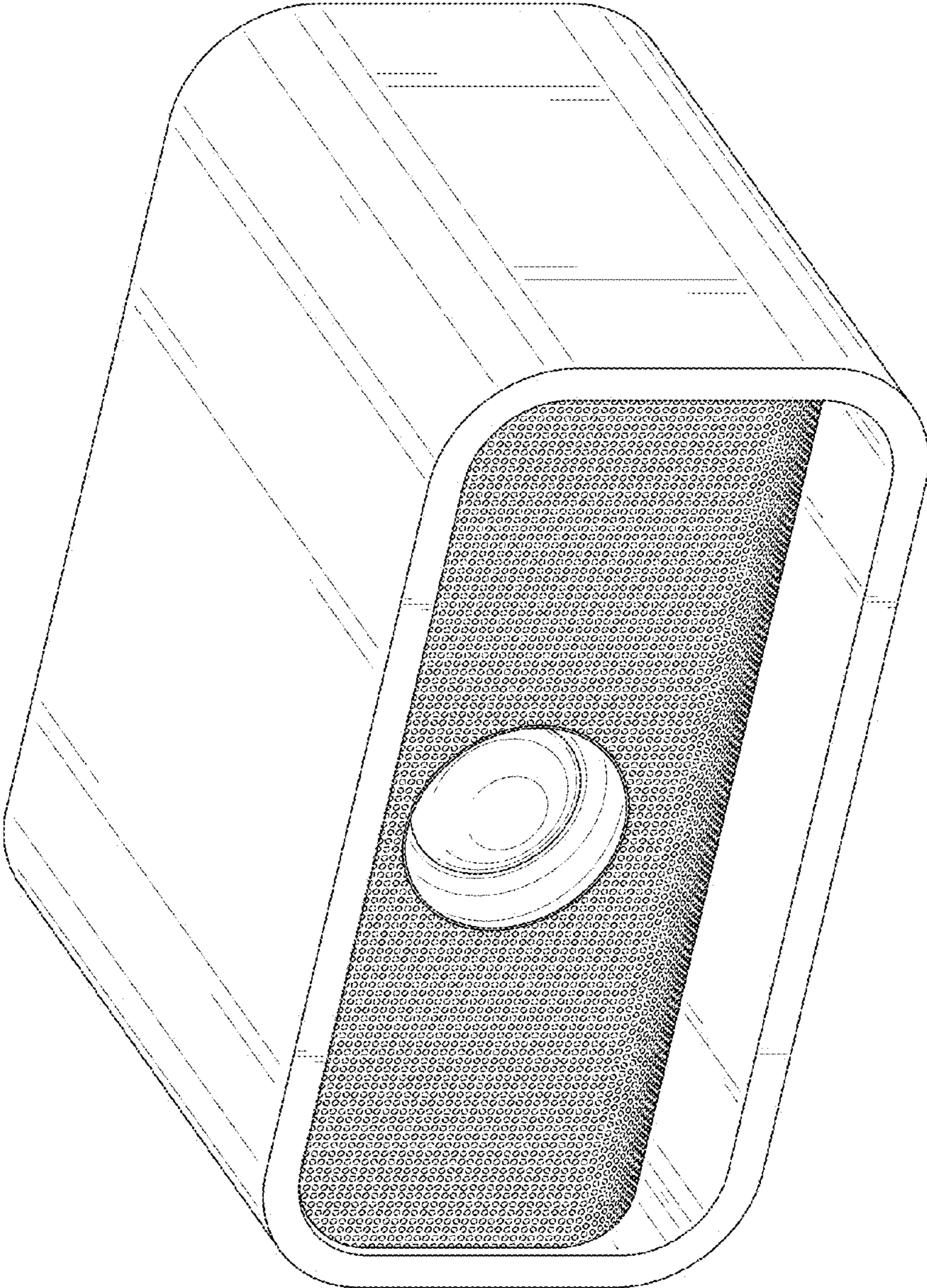


FIG. 1

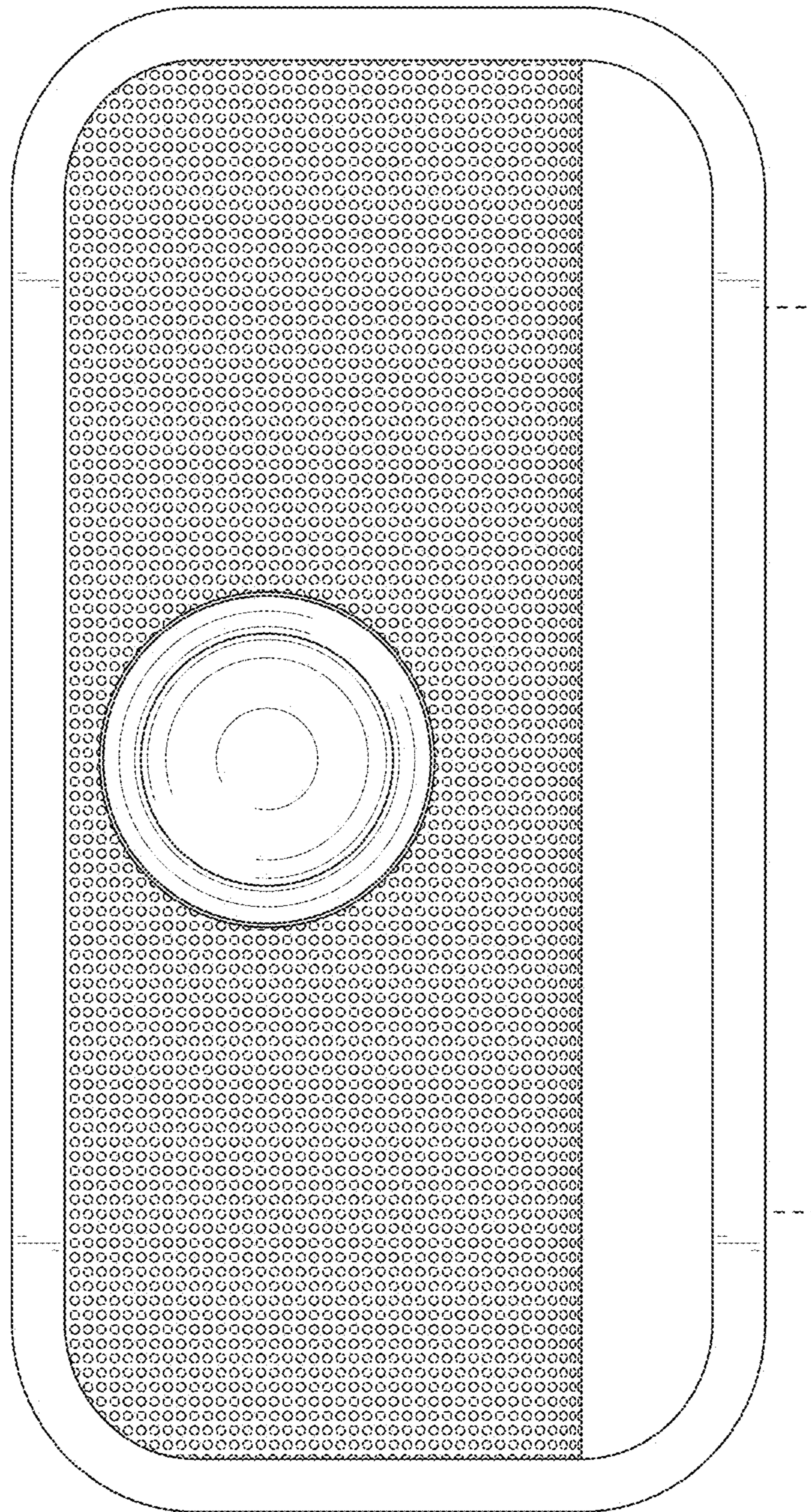


FIG. 2

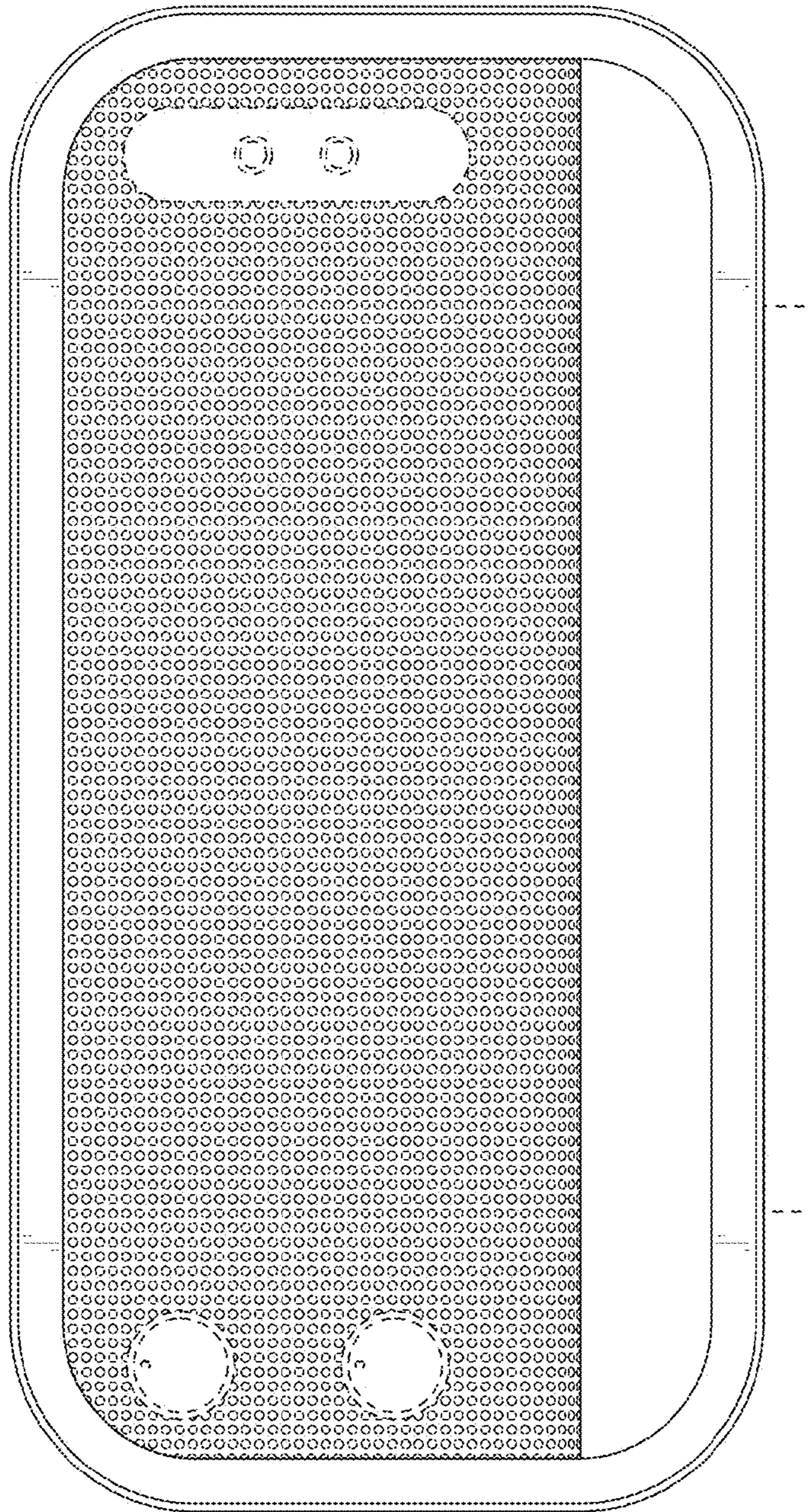


FIG. 3

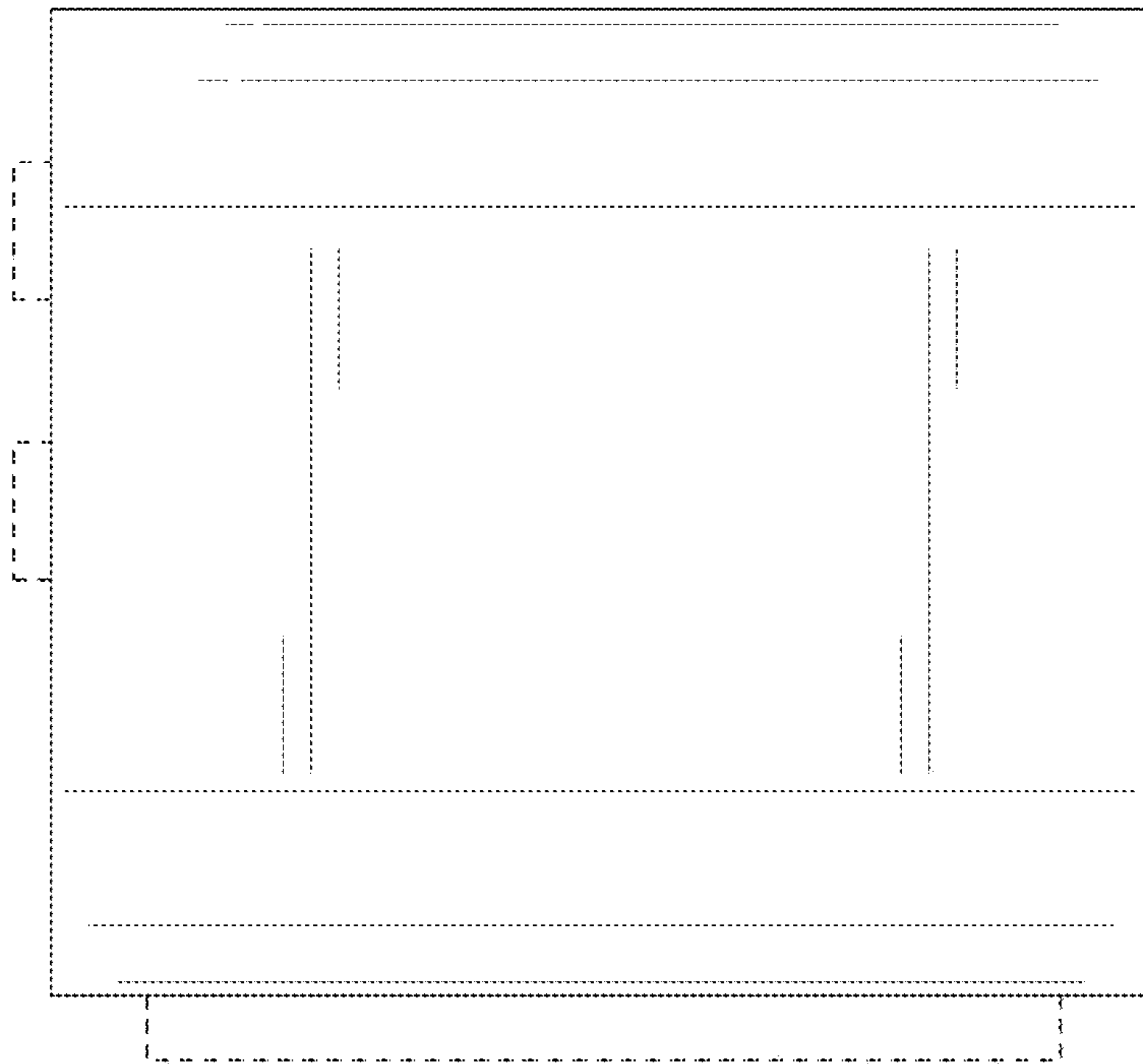


FIG. 4

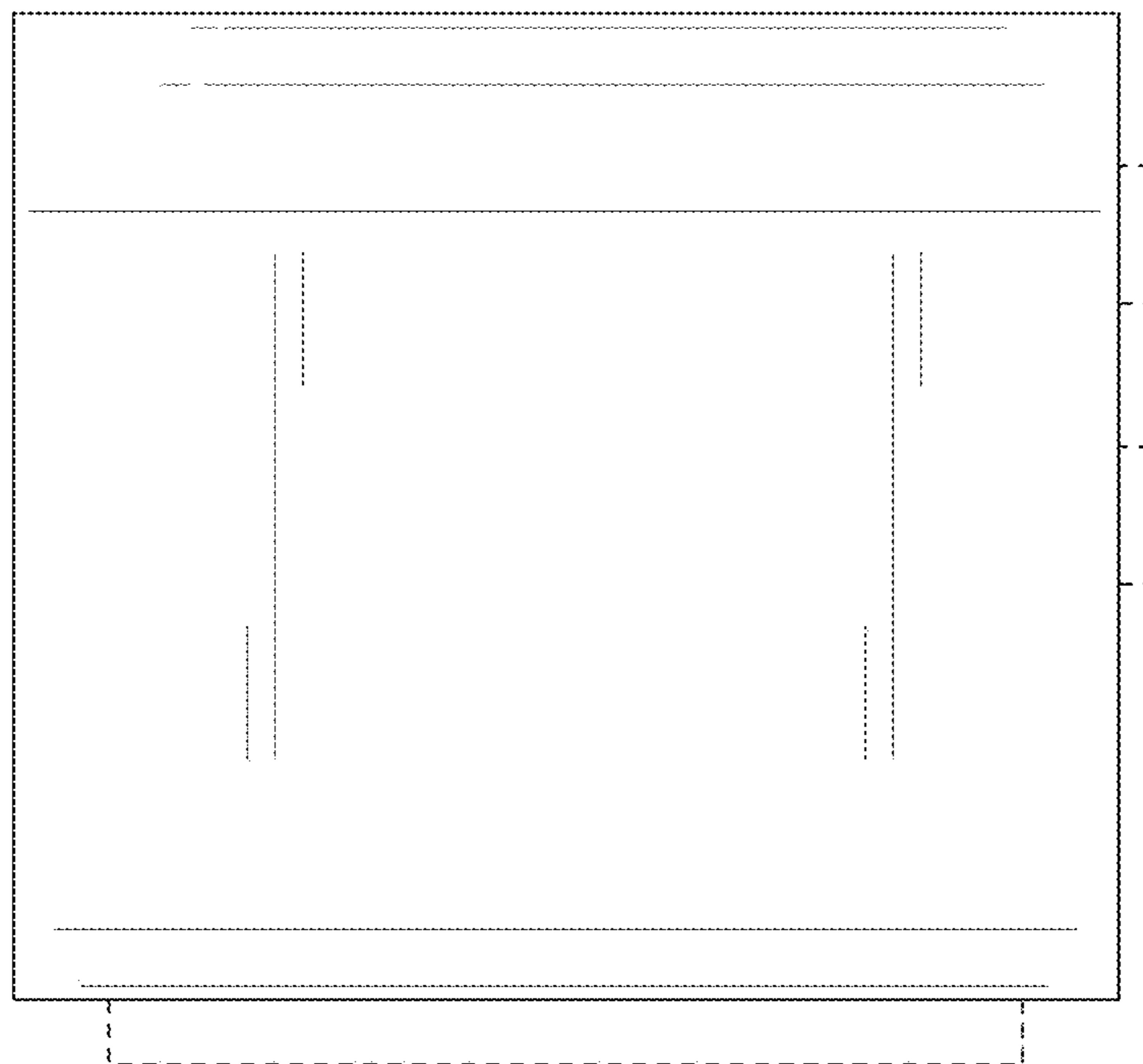


FIG. 5

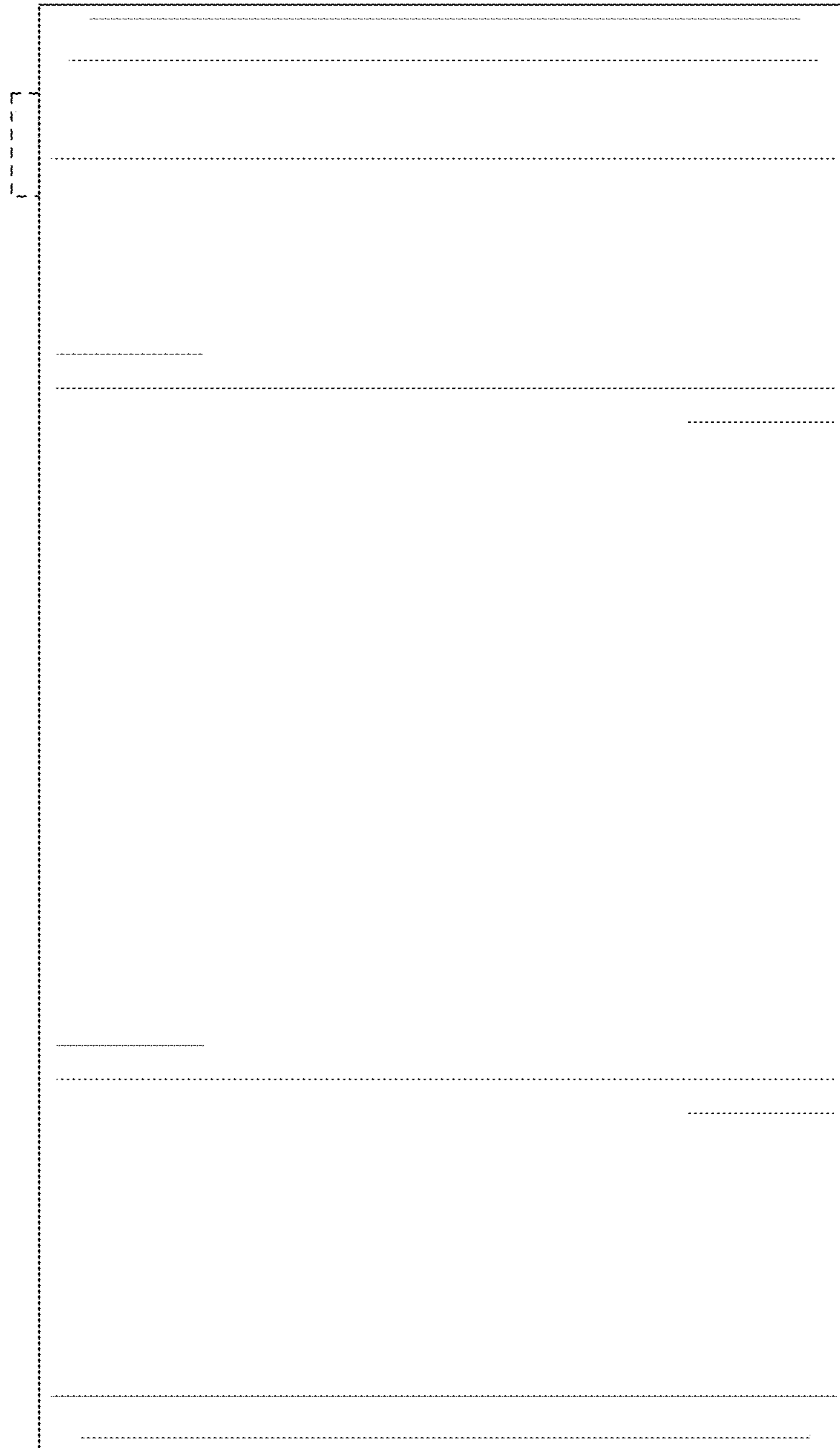


FIG. 6

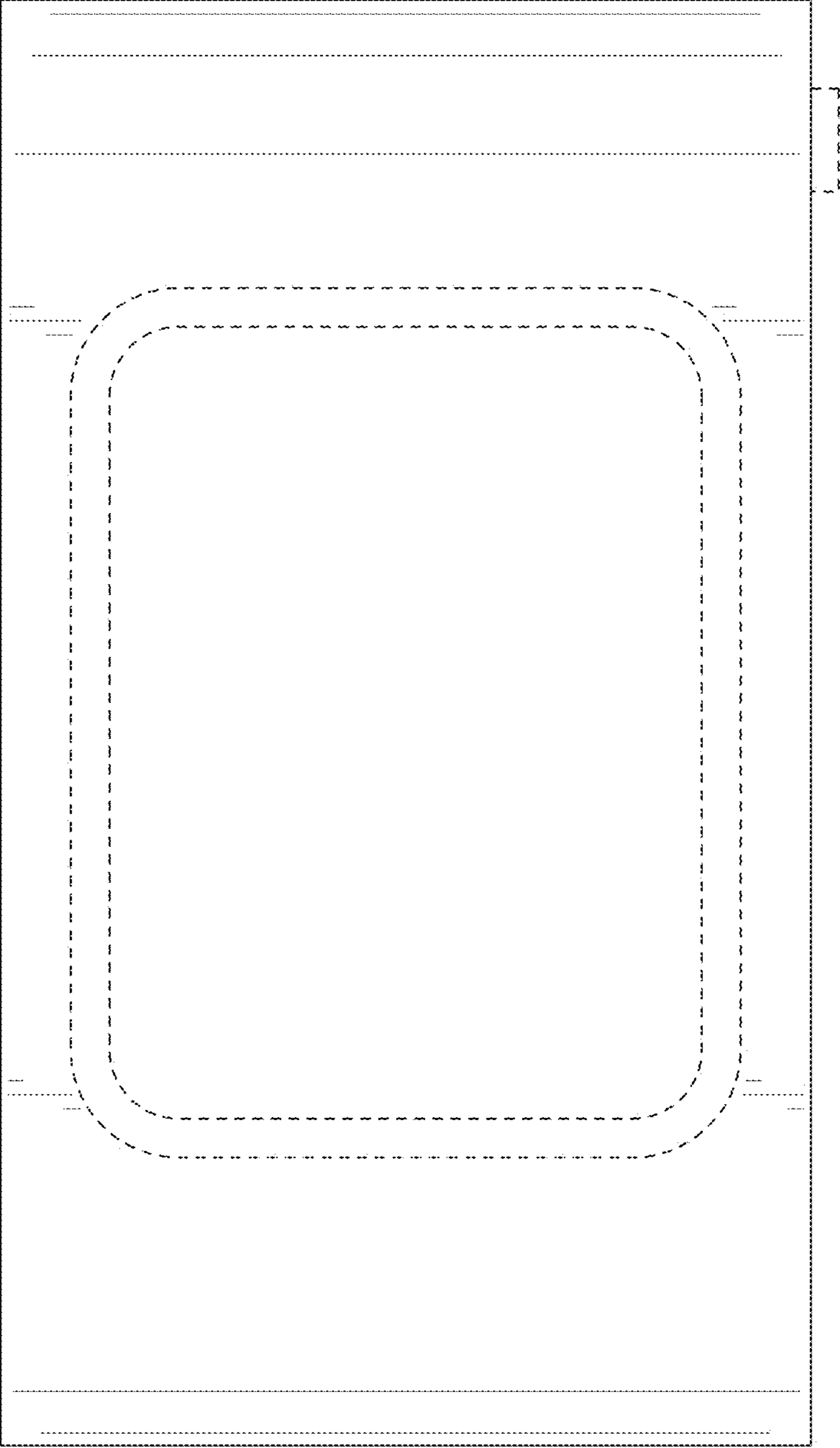


FIG. 7

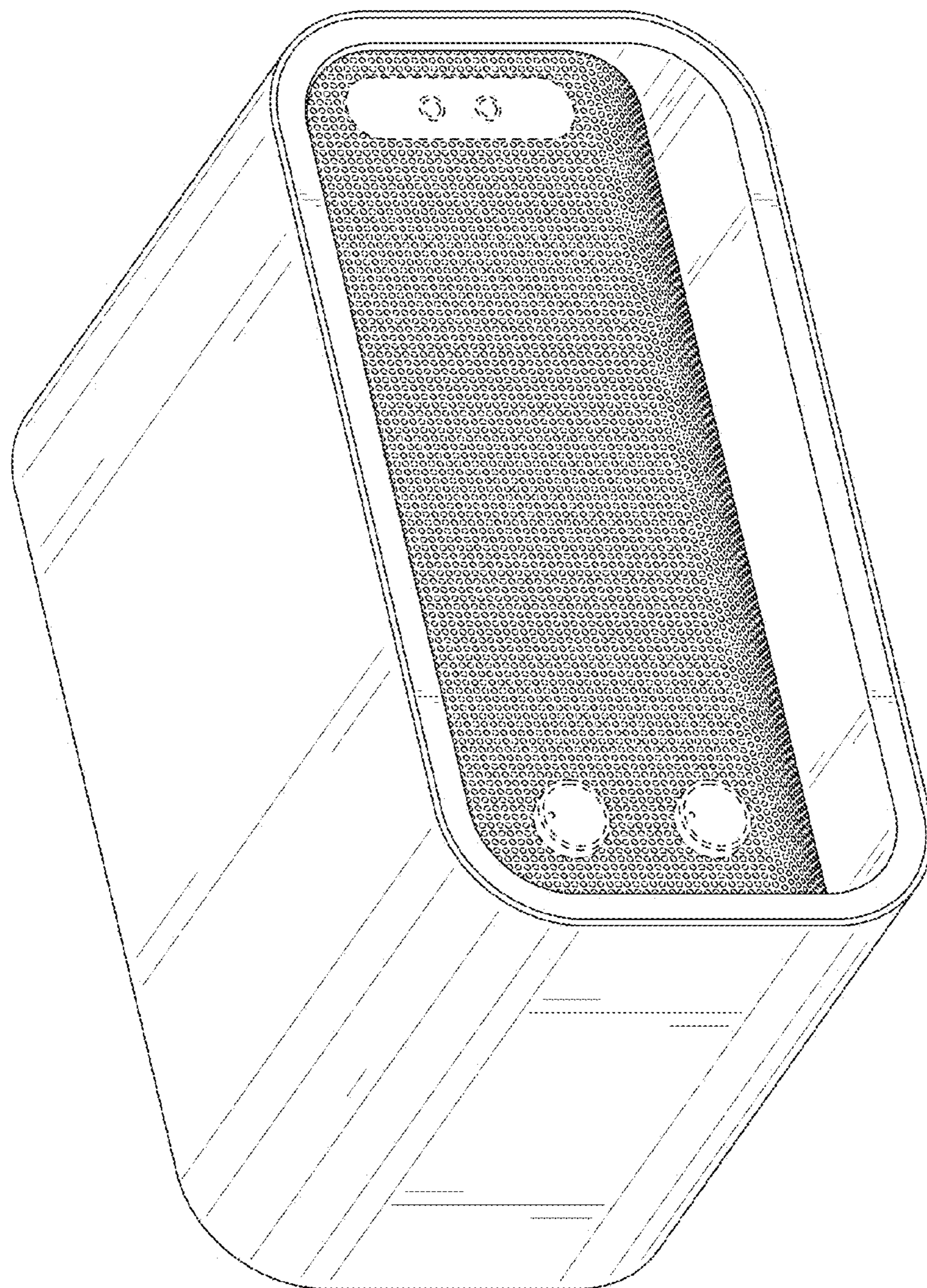


FIG. 8