



US00D700162S

(12) **United States Design Patent**
Takahashi

(10) **Patent No.:** **US D700,162 S**

(45) **Date of Patent:** **** Feb. 25, 2014**

(54) **PORTABLE TERMINAL**

(75) Inventor: **Yuusuke Takahashi**, Daito (JP)

(73) Assignee: **Kyocera Corporation**, Kyoto (JP)

(**) Term: **14 Years**

(21) Appl. No.: **29/428,902**

(22) Filed: **Aug. 3, 2012**

(30) **Foreign Application Priority Data**

Jul. 2, 2012 (JP) 2012-015598

(51) **LOC (10) Cl.** **14-03**

(52) **U.S. Cl.**
USPC **D14/138 G**

(58) **Field of Classification Search**
USPC D14/138 R, 138 AD, 138 AC, 138 C,
D14/138 G, 137, 147, 218, 341-347,
D14/247-248; 455/566, 575.1, 575.3, 575.4
See application file for complete search history.

(56) **References Cited**

U.S. PATENT DOCUMENTS

D579,437 S *	10/2008	Yoon	D14/138 G
D606,507 S *	12/2009	Kim et al.	D14/138 G
D611,030 S *	3/2010	Hirano	D14/138 G
D619,988 S *	7/2010	Ji et al.	D14/138 G
D635,954 S *	4/2011	Aarras	D14/138 G
D636,770 S *	4/2011	Li	D14/341
D649,968 S *	12/2011	Li	D14/341
D650,351 S *	12/2011	Tsai et al.	D14/138 G
D651,601 S *	1/2012	Ichise	D14/341
D653,641 S *	2/2012	Chen	D14/138 G
D654,887 S *	2/2012	McManigal et al.	D14/138 G
D655,269 S *	3/2012	Kim	D14/138 G
D671,086 S *	11/2012	Yu et al.	D14/138 G
D672,768 S *	12/2012	Huang et al.	D14/341
D675,181 S *	1/2013	Morgenroth et al.	D14/138 G
D676,820 S *	2/2013	Jeong	D14/138 G

D680,984 S *	4/2013	Harmon et al.	D14/138 G
D680,989 S *	4/2013	Jeong	D14/138 G
D682,239 S *	5/2013	Yeh et al.	D14/138 G
D683,322 S *	5/2013	Derby et al.	D14/138 G
D685,338 S *	7/2013	Park et al.	D14/138 G
D687,800 S *	8/2013	Lee	D14/138 G
D687,821 S *	8/2013	Lee et al.	D14/341
D688,222 S *	8/2013	Fujimura et al.	D14/138 G
D689,455 S *	9/2013	Daniel	D14/138 G
2009/0163258 A1 *	6/2009	Vesamaki	455/575.4

OTHER PUBLICATIONS

Motorola Electrify 2 XT881, announced Jul. 2012, [online], [retrieved on Aug. 21, 2012]. Retrieved from Internet, <URL: http://www.gsmarena.com>.*

Motorola Razer HD, announced Sep. 2012, [online], [retrieved on Sep. 12, 2012]. Retrieved from Internet, <URL: http://www.gsmarena.com>.*

Nokia 603, announced Oct. 2011, [online], [retrieved on Oct. 26, 2011]. Retrieved from Internet, <URL: http://www.gsmarena.com>.*

(Continued)

Primary Examiner — Bridget L Eland

(74) *Attorney, Agent, or Firm* — DLA Piper LLP (US)

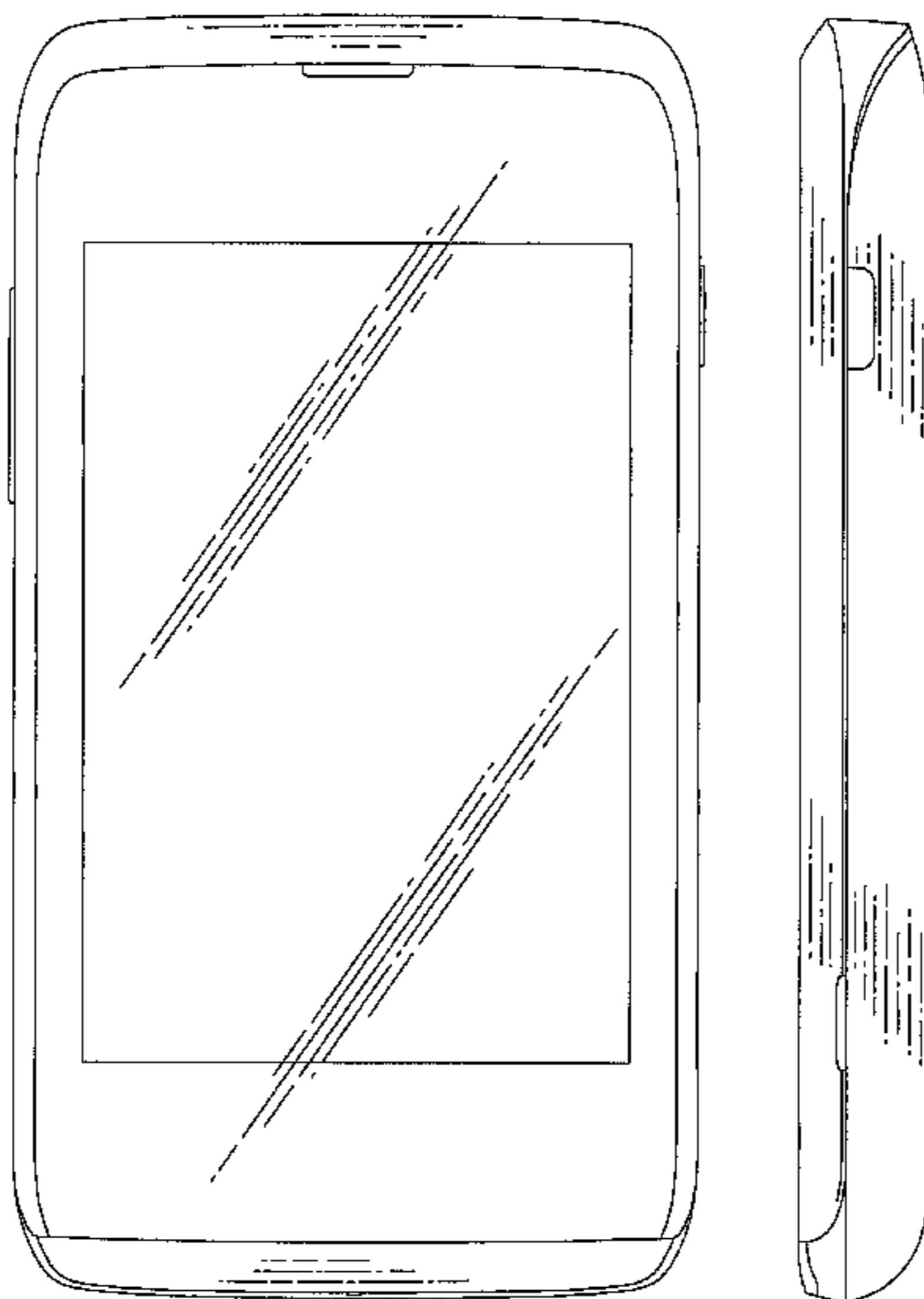
(57) **CLAIM**

The ornamental design for portable terminal, as shown and described.

DESCRIPTION

FIG. 1 is a front perspective view of a portable terminal showing my new design;
FIG. 2 is a rear perspective view thereof;
FIG. 3 is a front view thereof;
FIG. 4 is a rear view thereof;
FIG. 5 is a top plan view thereof;
FIG. 6 is a bottom view thereof;
FIG. 7 is a left side view thereof; and,
FIG. 8 is a right side view thereof.

1 Claim, 6 Drawing Sheets



(56)

References Cited

OTHER PUBLICATIONS

Motorola Razr V MT887, announced May 2012, [online], [retrieved on May 30, 2012]. Retrieved from Internet ,<URL: <http://www.gsmarena.com>>.*

http://www.motorola.com/us/consumers/DROID-MAXX/better-battery/96406,en_US,pd.html?cgid=mobile-phones.

<http://www.nokia.com/gb-en/products/phone/lumia710/>.

http://www.samsung.com/galaxyace/ace__overview.html.

* cited by examiner

FIG. 1

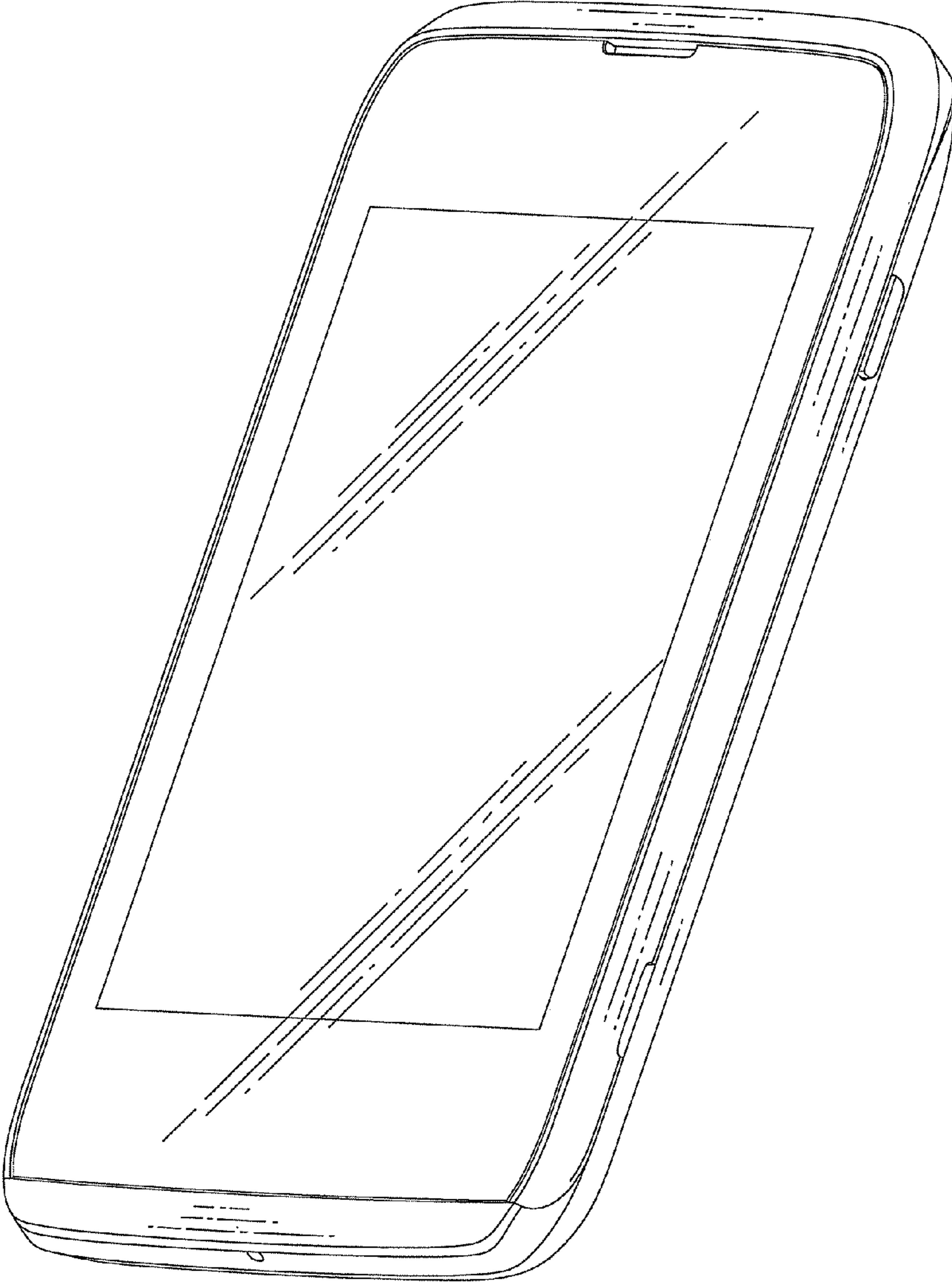


FIG. 2

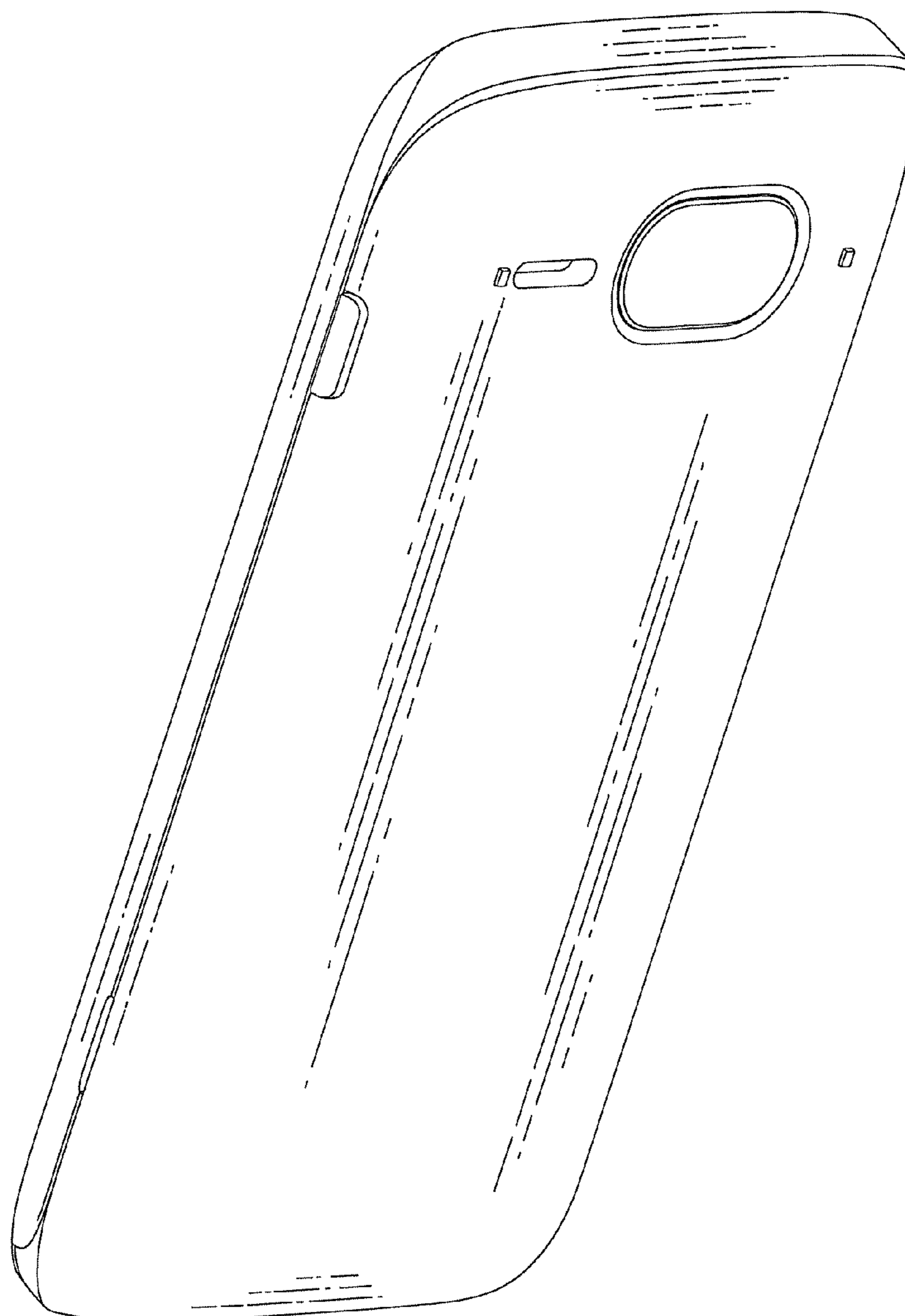


FIG. 3

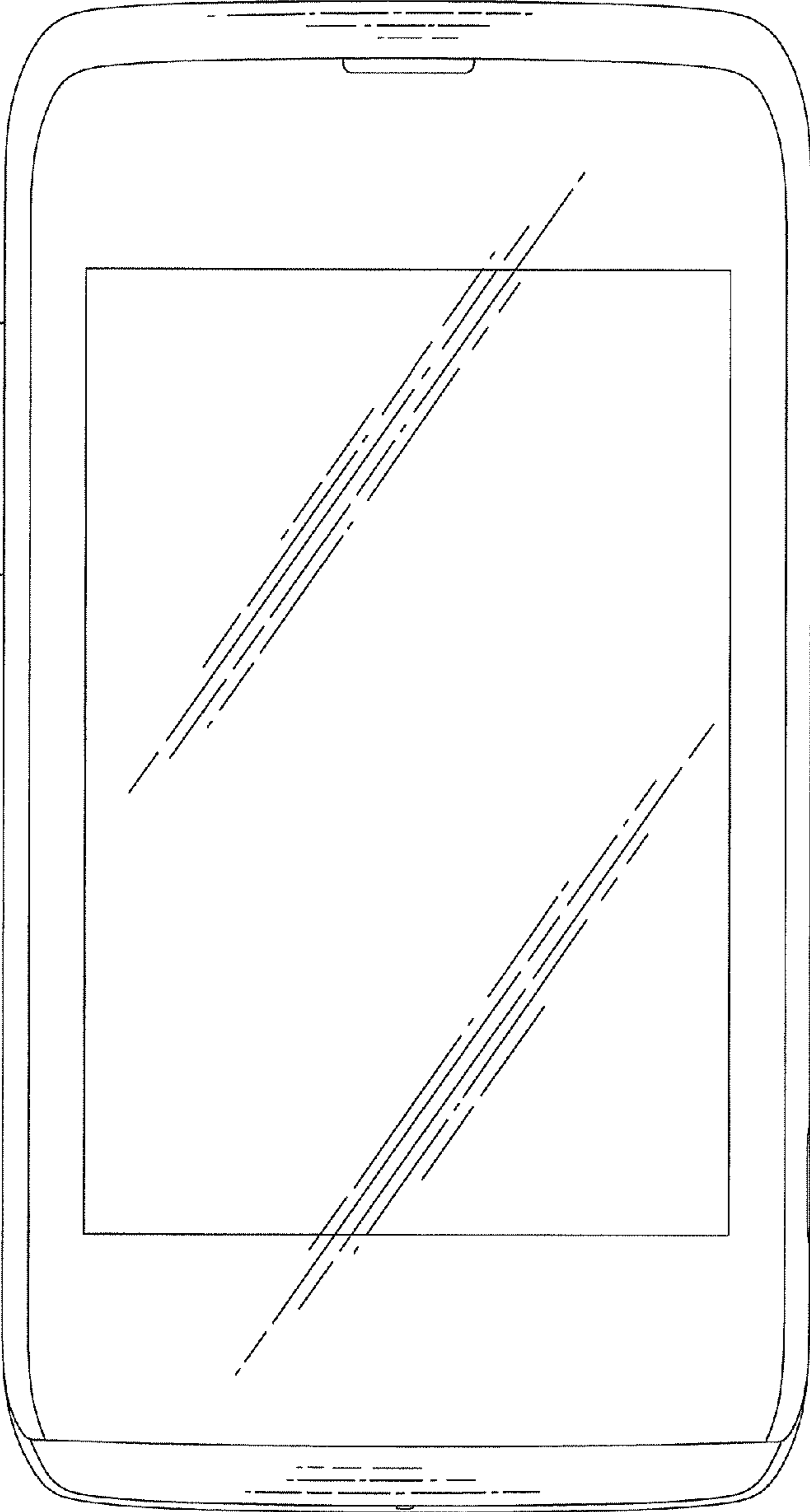


FIG. 4

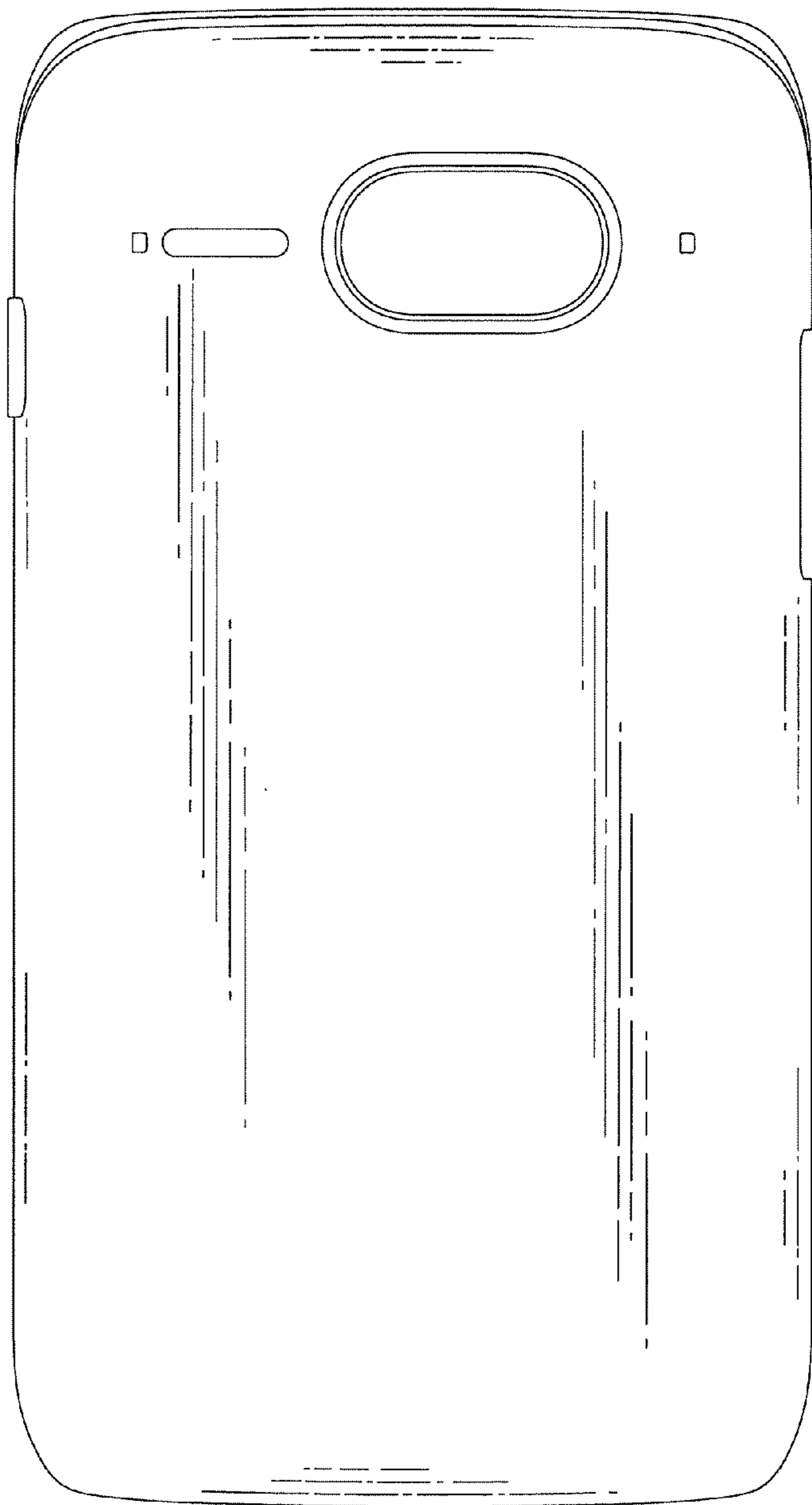


FIG. 5

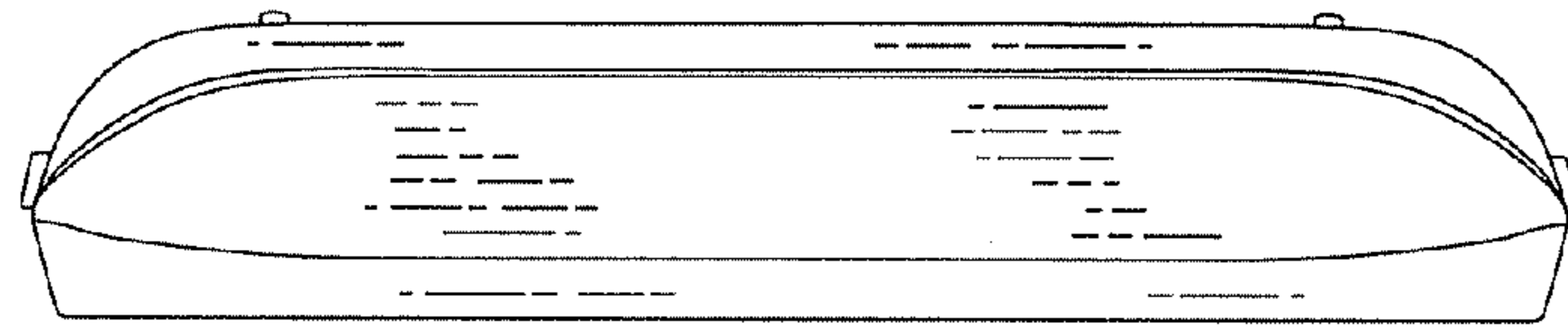


FIG. 6

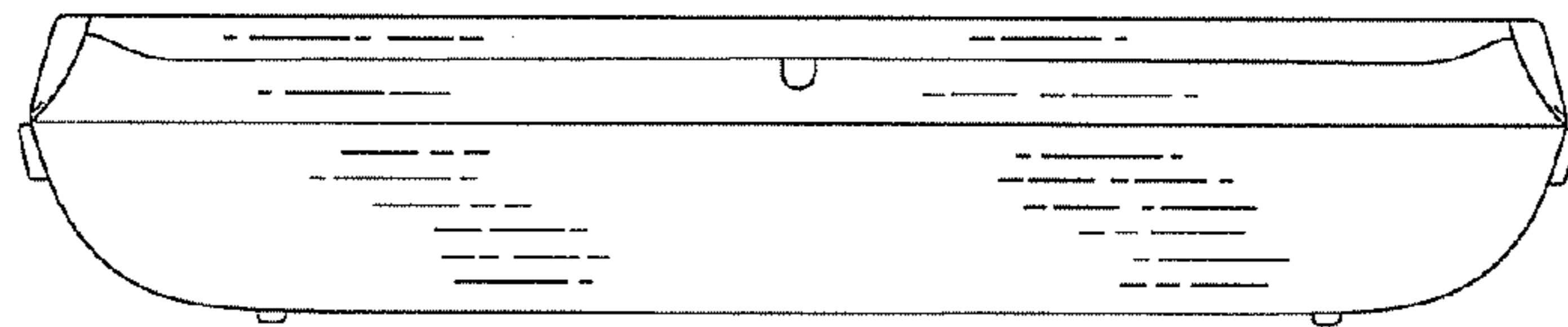


FIG. 7

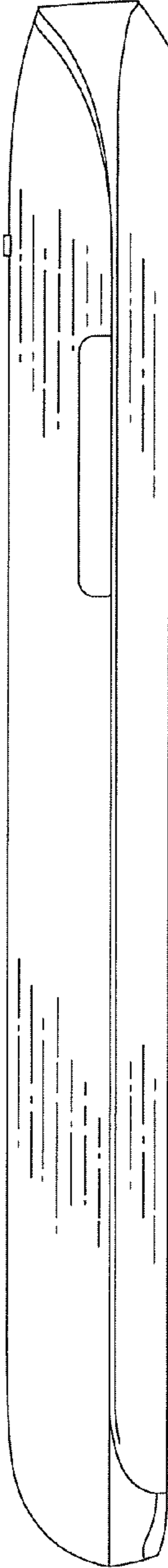


FIG. 8

