



US00D700156S

(12) **United States Design Patent**
Lv et al.

(10) **Patent No.:** **US D700,156 S**
(45) **Date of Patent:** **** Feb. 25, 2014**

(54) **TELEVISION**

(71) Applicant: **Hisense Electric Co., Ltd.**, Qingdao (CN)

(72) Inventors: **Jigang Lv**, Qingdao (CN); **Kunqiang Dou**, Qingdao (CN)

(73) Assignee: **Hisense Electric Co., Ltd.**, Qingdao, Shan Dong Province (CN)

(**) Term: **14 Years**

(21) Appl. No.: **29/466,409**

(22) Filed: **Sep. 6, 2013**

(51) **LOC (10) Cl.** **14-03**

(52) **U.S. Cl.**
USPC **D14/126**

(58) **Field of Classification Search**
USPC D14/125-134, 239, 371, 136, 374-377, D14/440, 450, 448, 336, 342, 159; 312/7.2; 348/836, 838, 180, 184, 325, 739; 341/12; 248/917-924, 465; 345/104, 345/133, 156, 168, 87, 173; 720/605, 669, 720/600, 655; 369/99, 197; D21/329, 515, D21/577, 622, 333, 433, 448, 452, 450, 331, D21/505; D6/477, 479, 300; 273/148 B; 446/484, 175, 356; D10/15, 26

See application file for complete search history.

(56) **References Cited**

U.S. PATENT DOCUMENTS

| | | | | |
|--------------|---------|------------|-------|---------|
| D536,310 S * | 2/2007 | Kao | | D14/126 |
| D537,420 S * | 2/2007 | Tsai | | D14/126 |
| D562,785 S * | 2/2008 | Fujii | | D14/126 |
| D564,993 S * | 3/2008 | Lee | | D14/126 |
| D655,684 S * | 3/2012 | Kim et al. | | D14/126 |
| D680,980 S * | 4/2013 | Park | | D14/126 |
| D681,575 S * | 5/2013 | Lee et al. | | D14/126 |
| D682,232 S * | 5/2013 | Lee et al. | | D14/126 |
| D682,798 S * | 5/2013 | Lee et al. | | D14/126 |
| D691,979 S * | 10/2013 | Park | | D14/126 |

* cited by examiner

Primary Examiner — Raphael Barkai

(74) *Attorney, Agent, or Firm* — Cheng-Ju Chiang

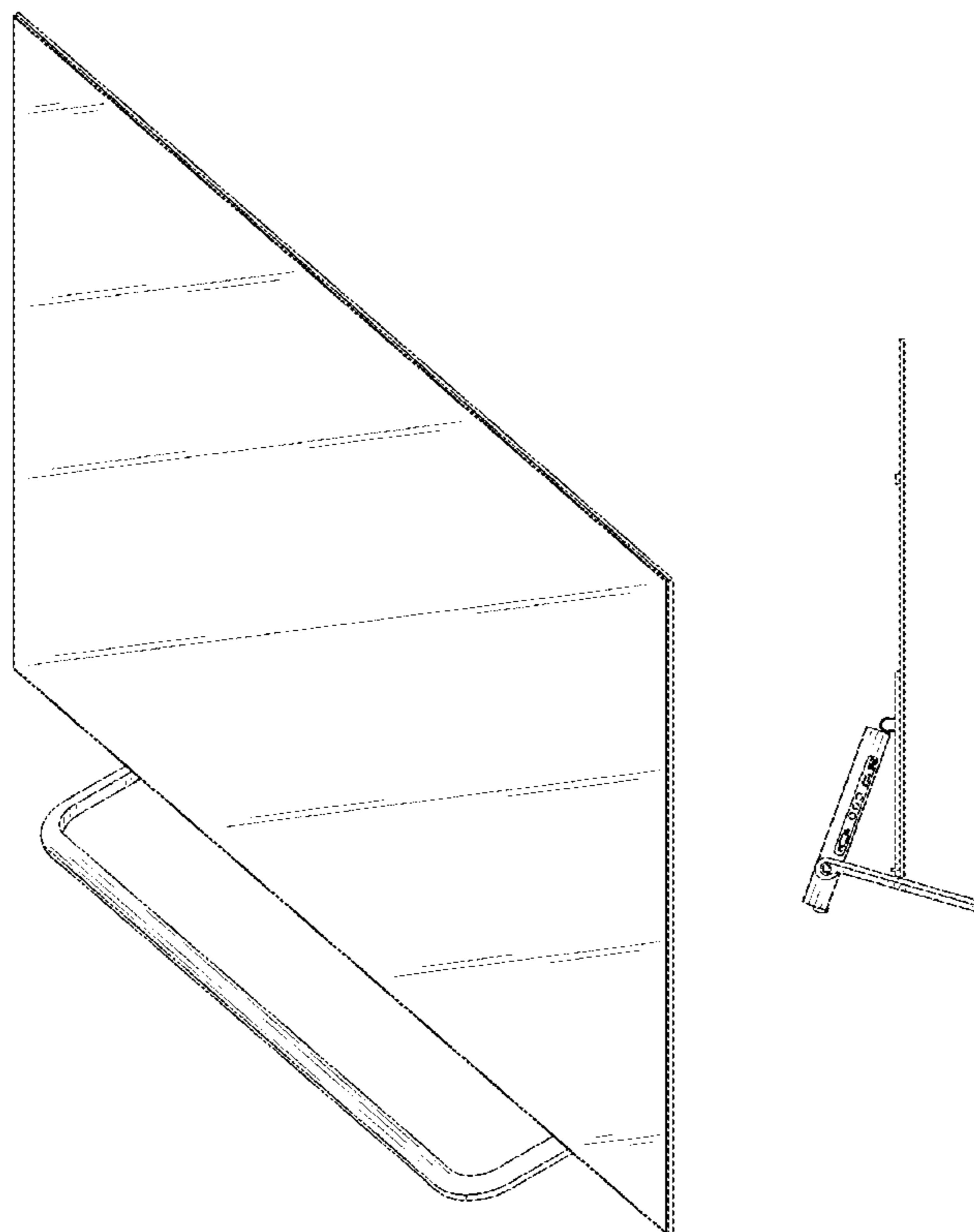
(57) **CLAIM**

The ornamental design for a television, as shown and described.

DESCRIPTION

FIG. 1 is a bottom front perspective view of a “television” showing our new design;
FIG. 2 is a front view thereof;
FIG. 3 is a rear view thereof;
FIG. 4 is a left side view thereof;
FIG. 5 is a right side view thereof;
FIG. 6 is a top plan view thereof; and,
FIG. 7 is a bottom plan view thereof.

1 Claim, 5 Drawing Sheets



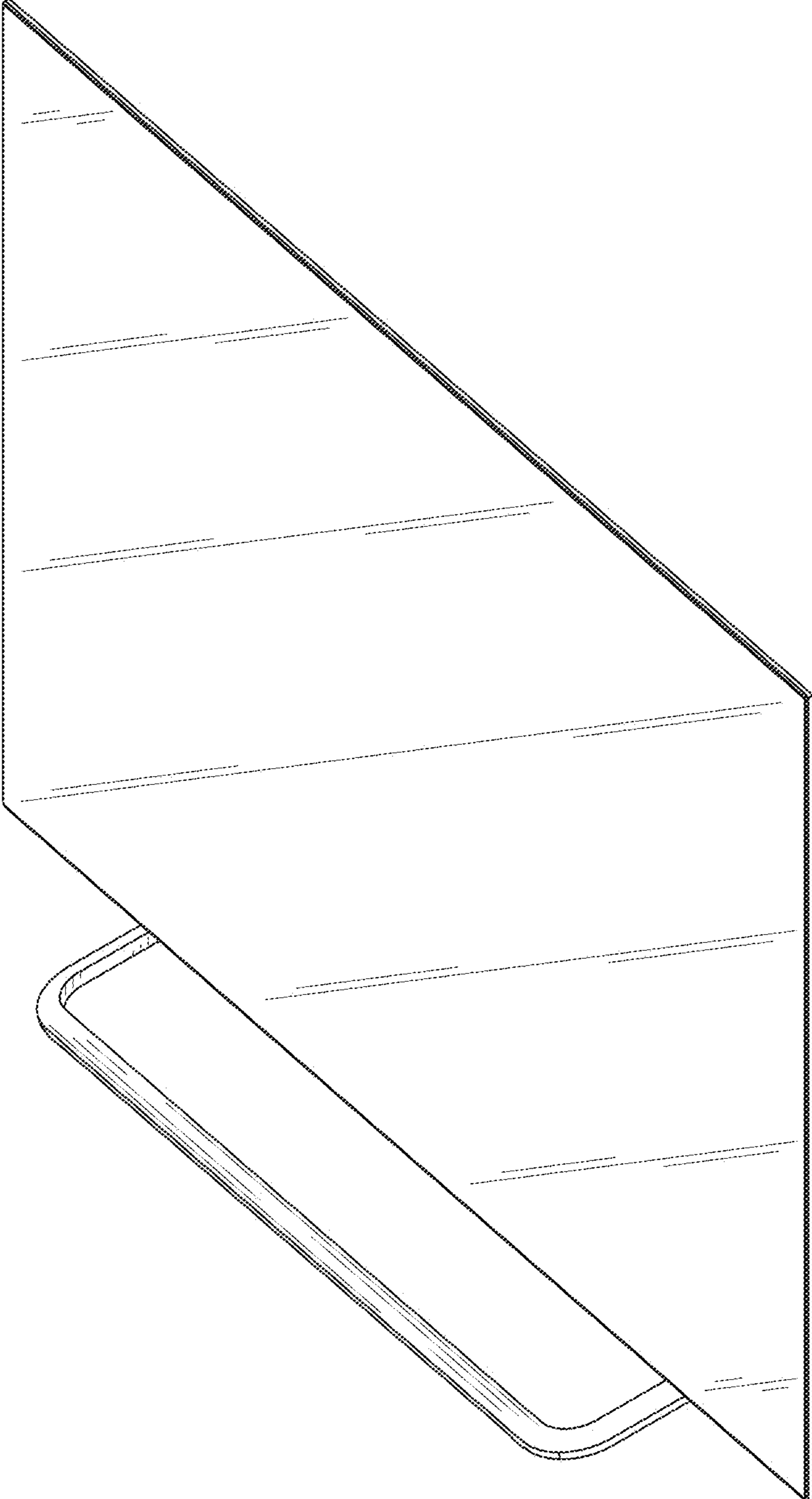


FIG. 1

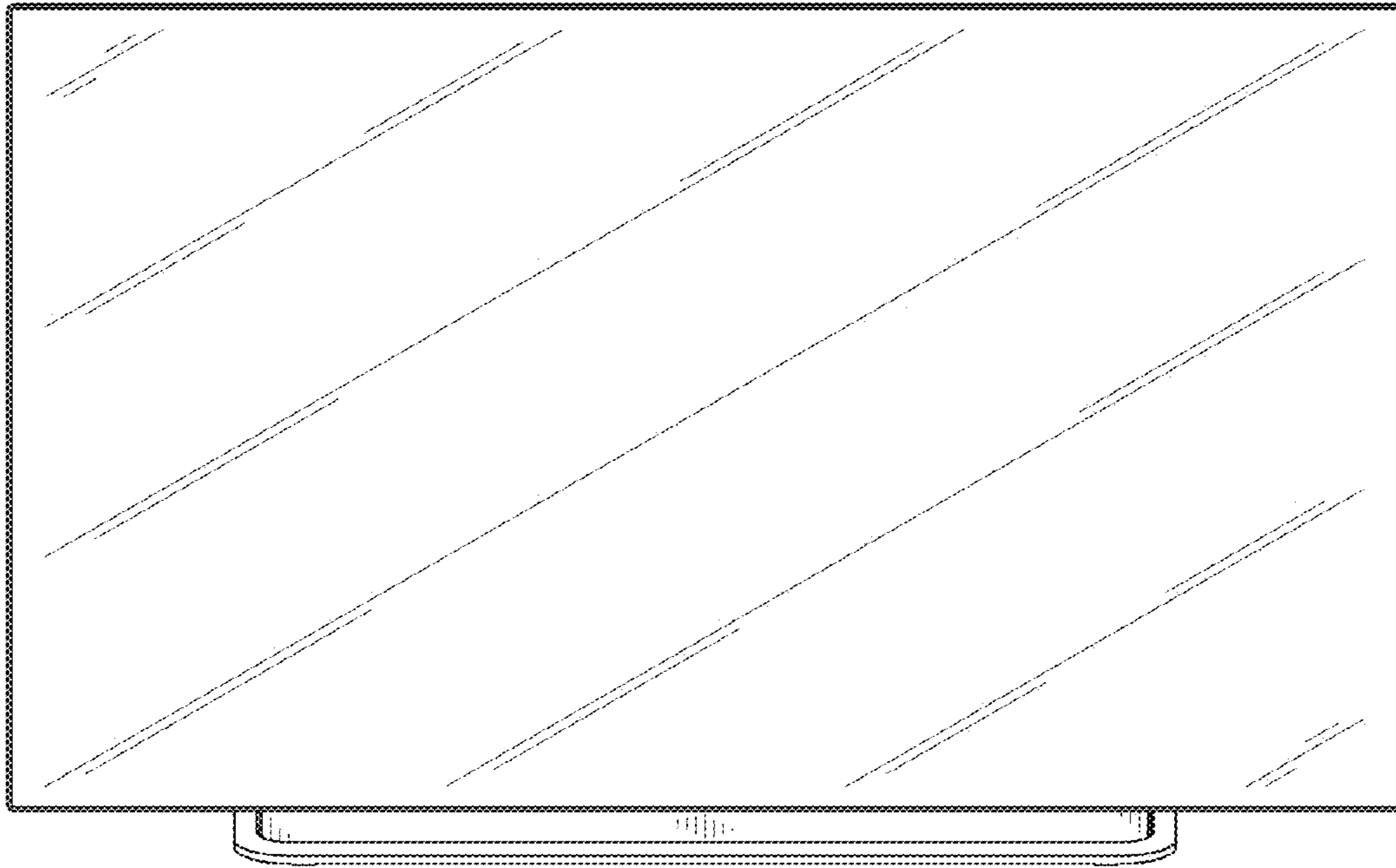


FIG. 2

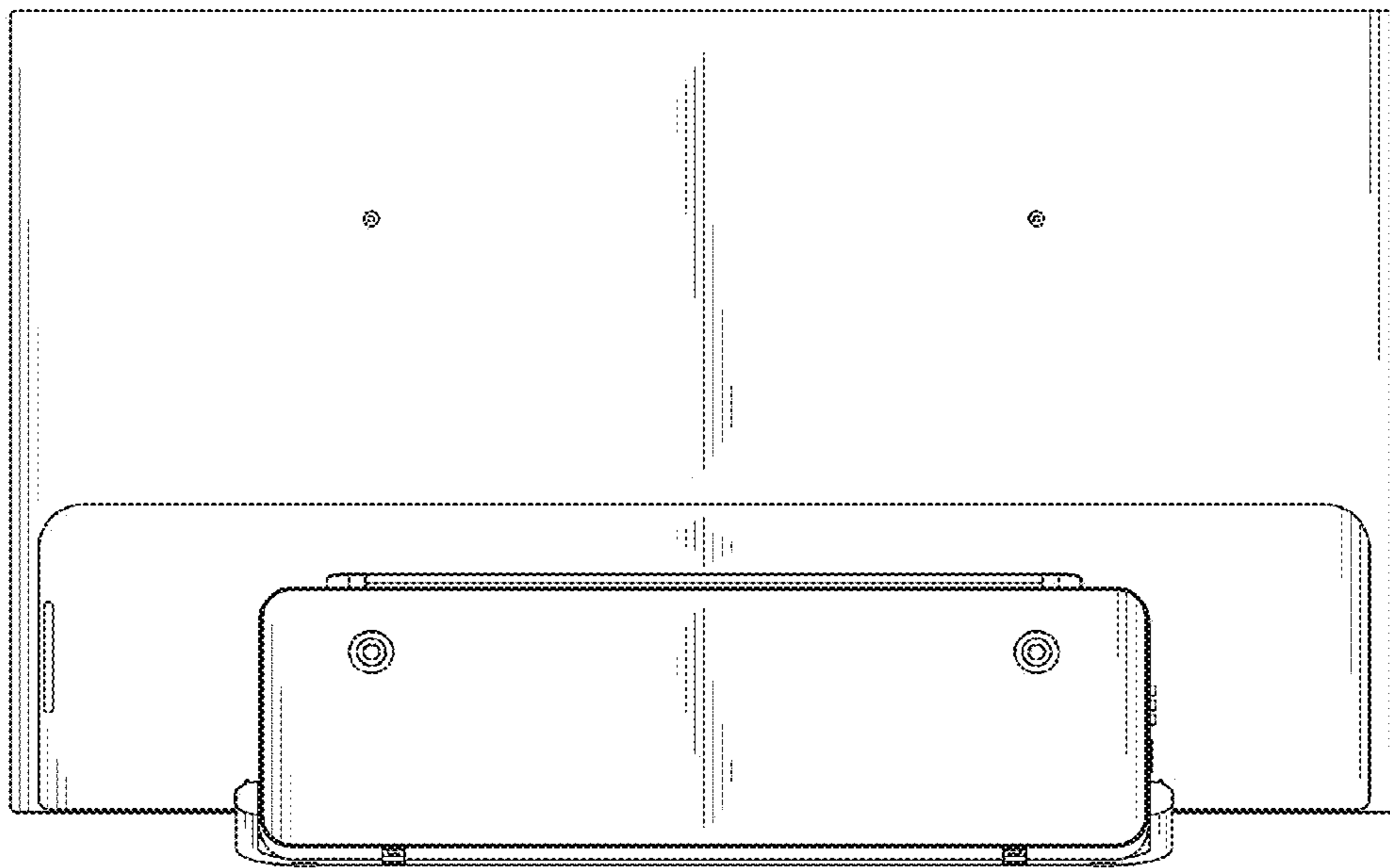


FIG. 3

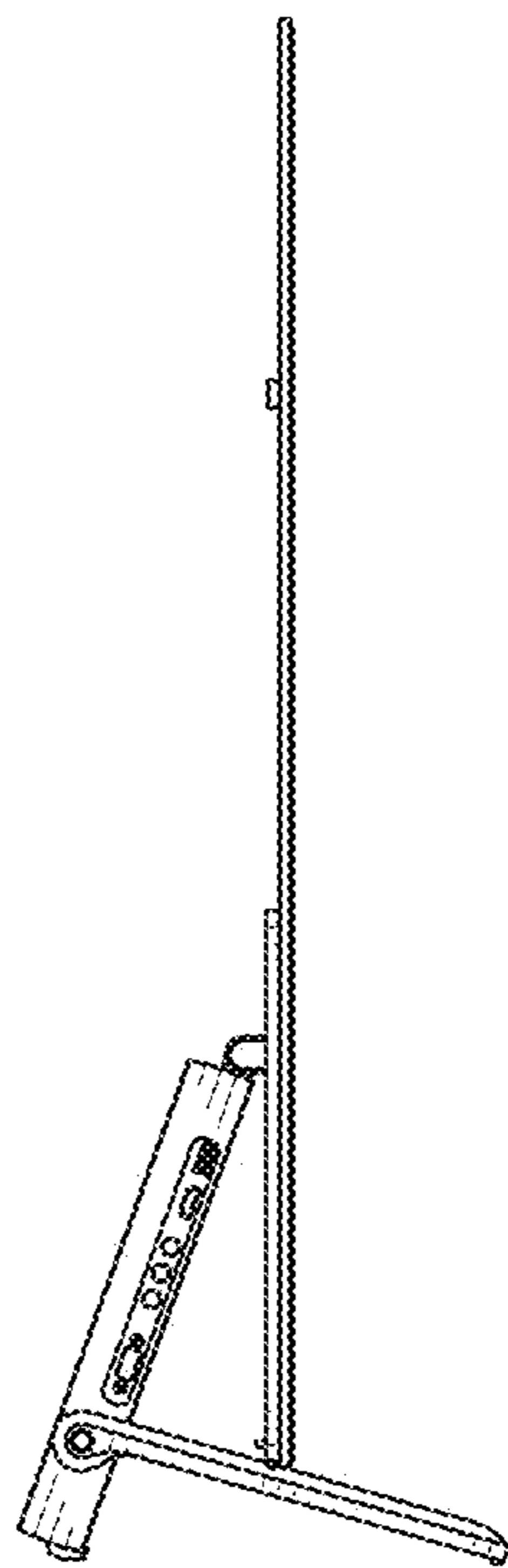


FIG. 4

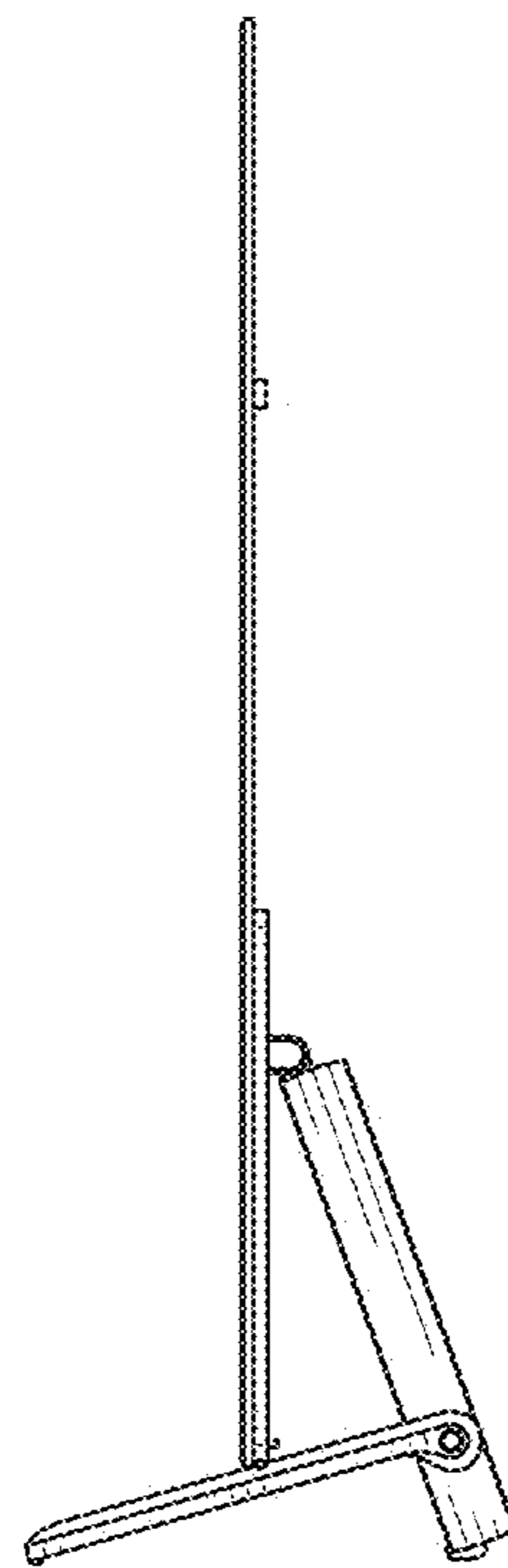


FIG. 5

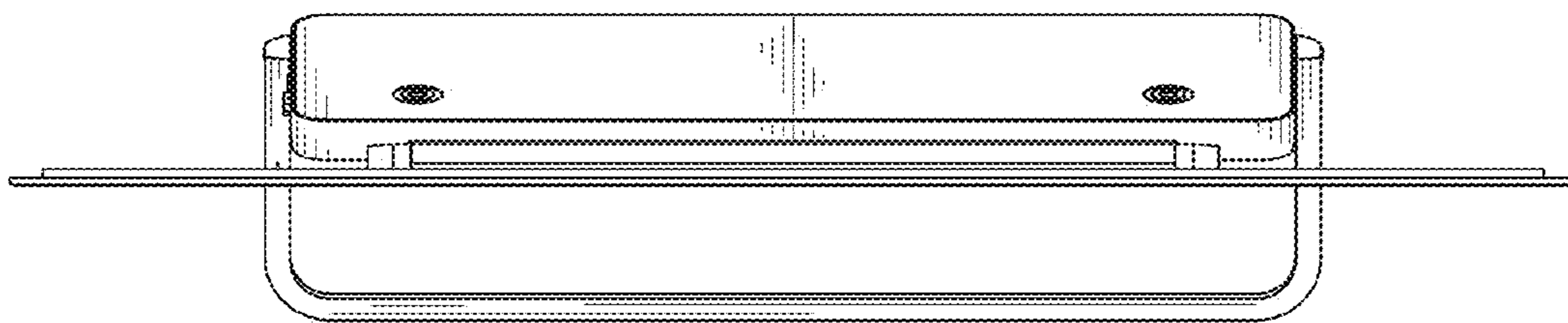


FIG. 6

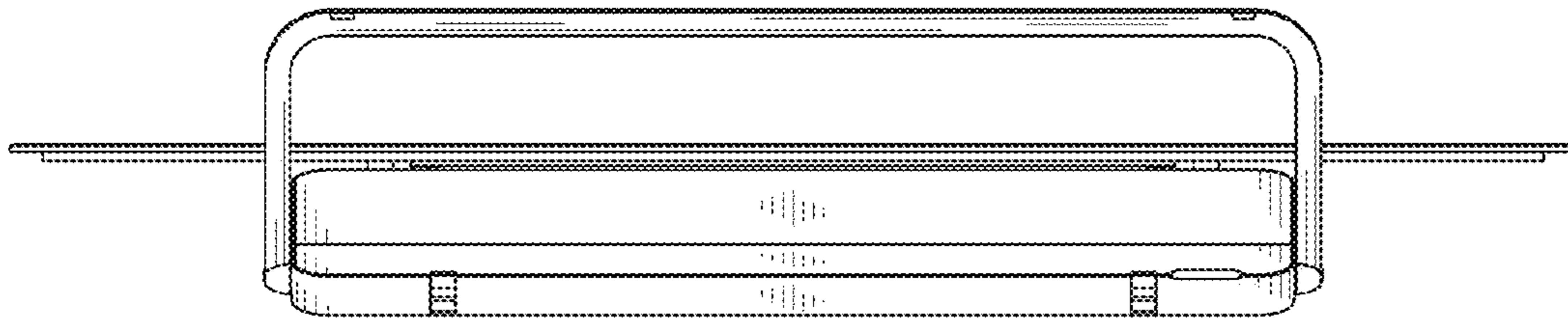


FIG. 7