



US00D700150S

(12) **United States Design Patent**
Li et al.

(10) **Patent No.:** **US D700,150 S**
(45) **Date of Patent:** **** Feb. 25, 2014**

(54) **SWITCH**

(71) Applicants: **Paul Li**, Milwaukee, WI (US); **Marc Beroukas**, Germantown, WI (US)

(72) Inventors: **Paul Li**, Milwaukee, WI (US); **Marc Beroukas**, Germantown, WI (US)

(73) Assignee: **Raffel System, LLC**, Germantown, WI (US)

(**) Term: **14 Years**

(21) Appl. No.: **29/445,869**

(22) Filed: **Feb. 18, 2013**

(51) **LOC (10) Cl.** **13-03**

(52) **U.S. Cl.**
USPC **D13/174**

(58) **Field of Classification Search**
USPC D13/167, 171, 174; 307/139, 157;
315/209 R, 224, 246, 291, 294, 295;
200/5 R, 5 A, 302.2, 520, 530, 293, 296,
200/308, 310, 314, 329, 341
See application file for complete search history.

(56) **References Cited**

U.S. PATENT DOCUMENTS

D317,137 S *	5/1991	Kulikowski et al.	D10/108
D421,966 S *	3/2000	Allen et al.	D13/174
6,087,605 A *	7/2000	Heidenfels et al.	200/345
D434,393 S *	11/2000	Gehr	D13/174
D440,947 S *	4/2001	Culberson et al.	D13/171

D463,381 S *	9/2002	Westermann	D13/167
D469,411 S *	1/2003	Decosse	D13/174
D496,336 S *	9/2004	Wang	D13/171
6,800,819 B2 *	10/2004	Sato et al.	200/5 R
D550,298 S *	9/2007	Luciano et al.	D21/385
D550,304 S *	9/2007	Luciano et al.	D21/385
D556,268 S *	11/2007	Luciano et al.	D21/385
7,378,605 B2 *	5/2008	Lo	200/5 R
8,071,899 B2 *	12/2011	Lo	200/296
D685,333 S *	7/2013	Beroukas et al.	D13/174
2011/0108403 A1 *	5/2011	Kukita	200/341

* cited by examiner

Primary Examiner — Selina Sikder

(74) *Attorney, Agent, or Firm* — Tyler J. Sisk; Casimir Jones S.C.

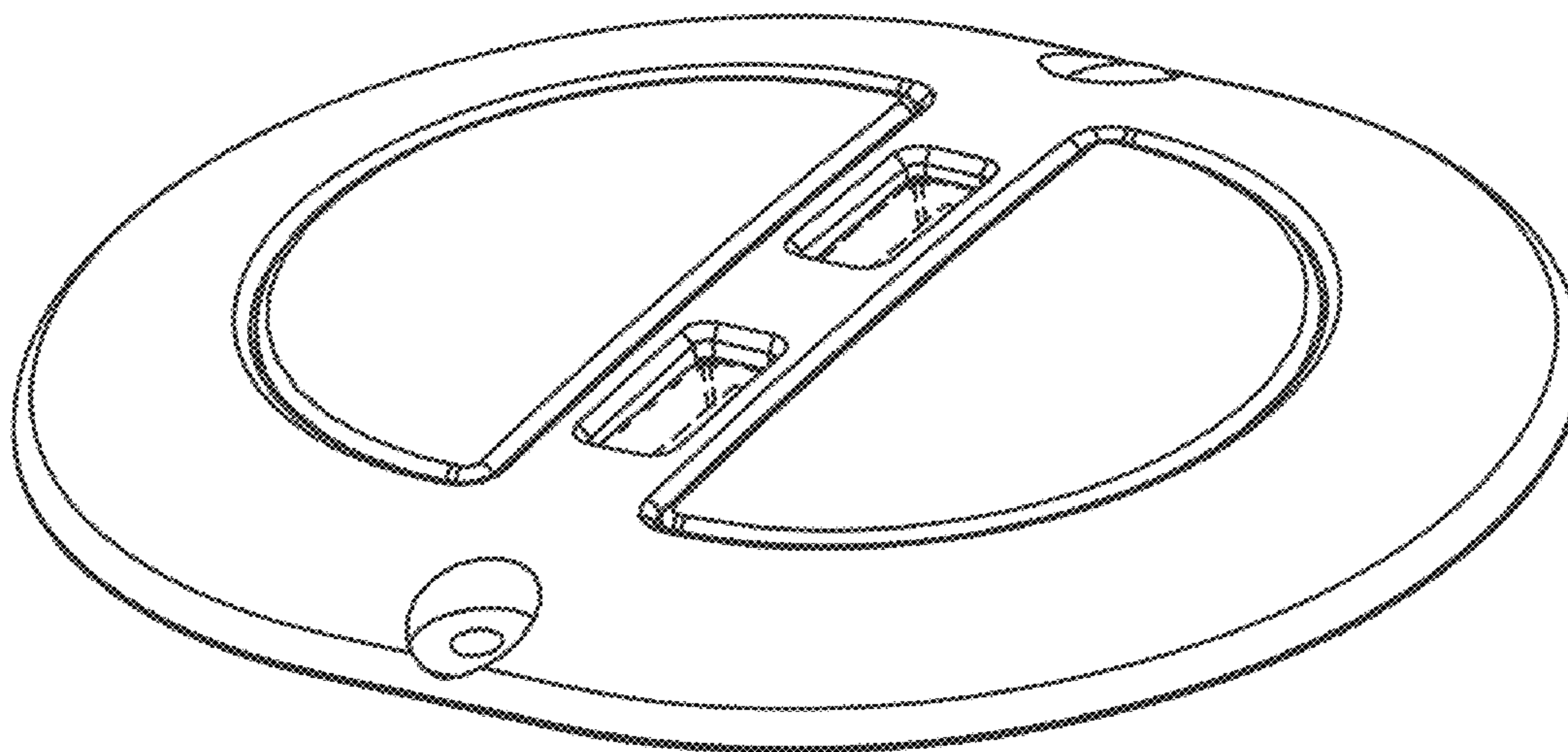
(57) **CLAIM**

The ornamental design for a switch, as shown and described.

DESCRIPTION

FIG. 1 is a top perspective view showing our new design; FIG. 2 is a front elevational view thereof, the front and rear elevational views being identical; FIG. 3 is a left side elevational view thereof, the left side and right side elevational views being identical; FIG. 4 is a top plan view thereof; and, FIG. 5 is a bottom plan view thereof. The broken lines shown in FIGS. 1, 4, and 5 are for the purpose of illustrating environment, and form no part of the claimed design.

1 Claim, 2 Drawing Sheets



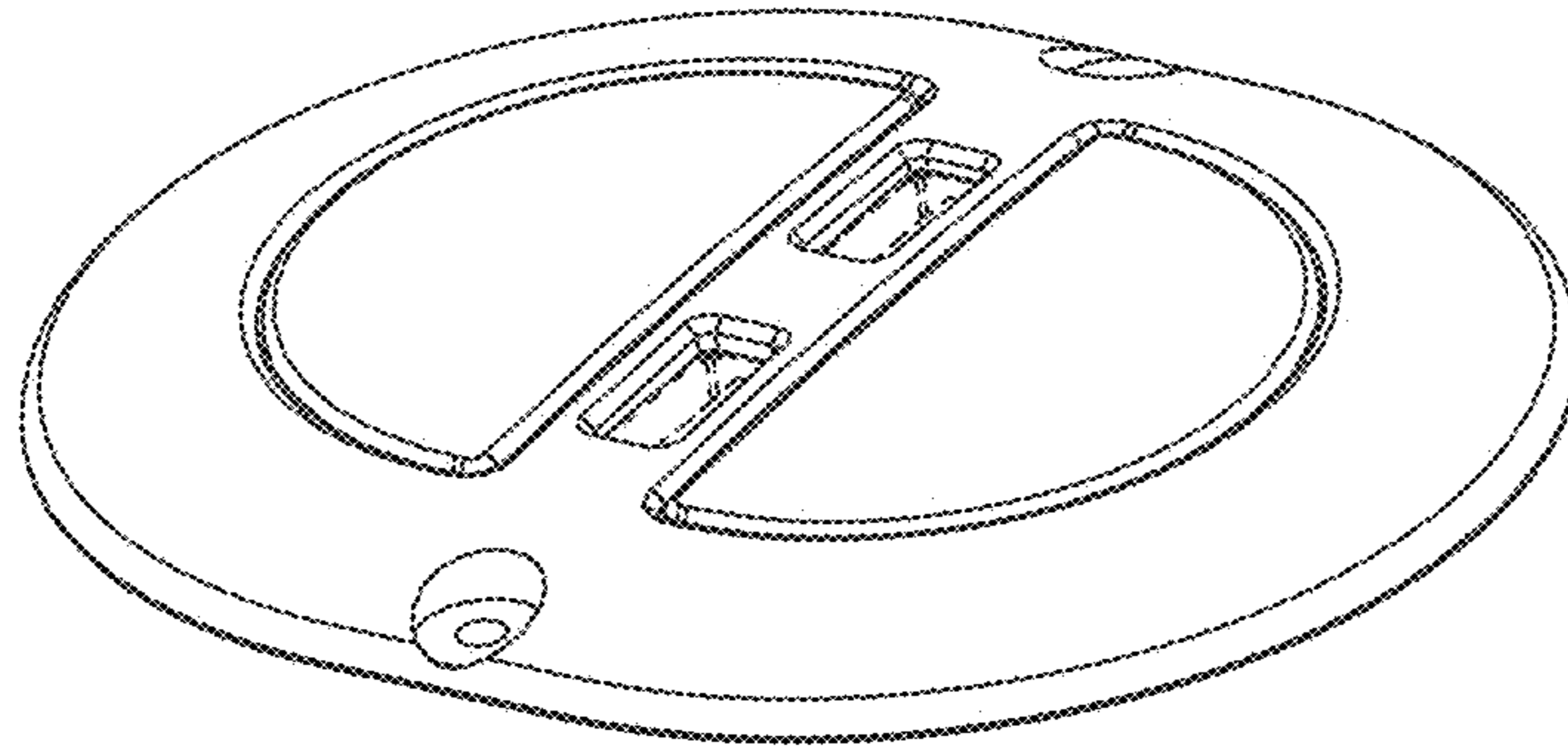


FIG. 1



FIG. 2



FIG. 3

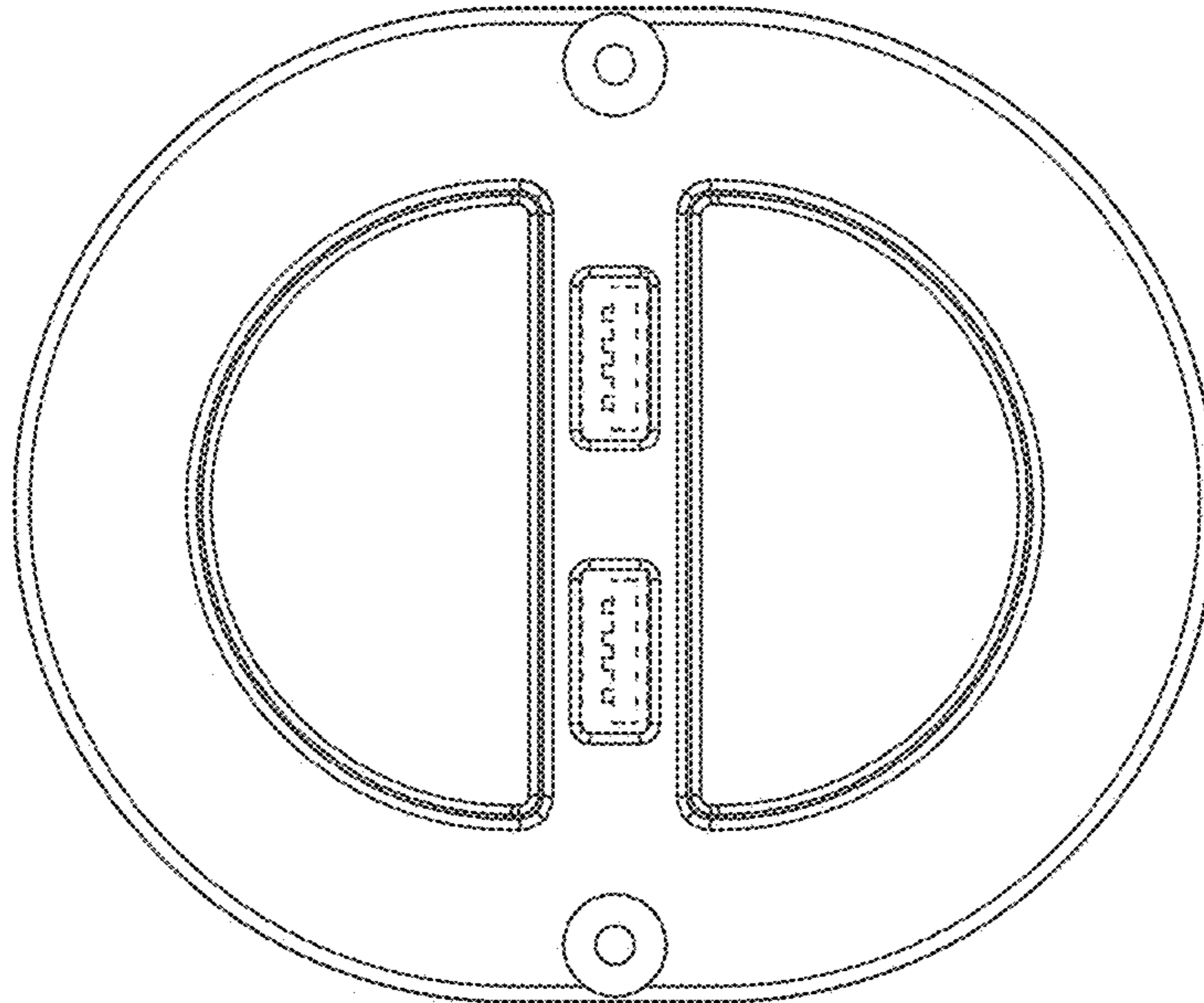


FIG. 4

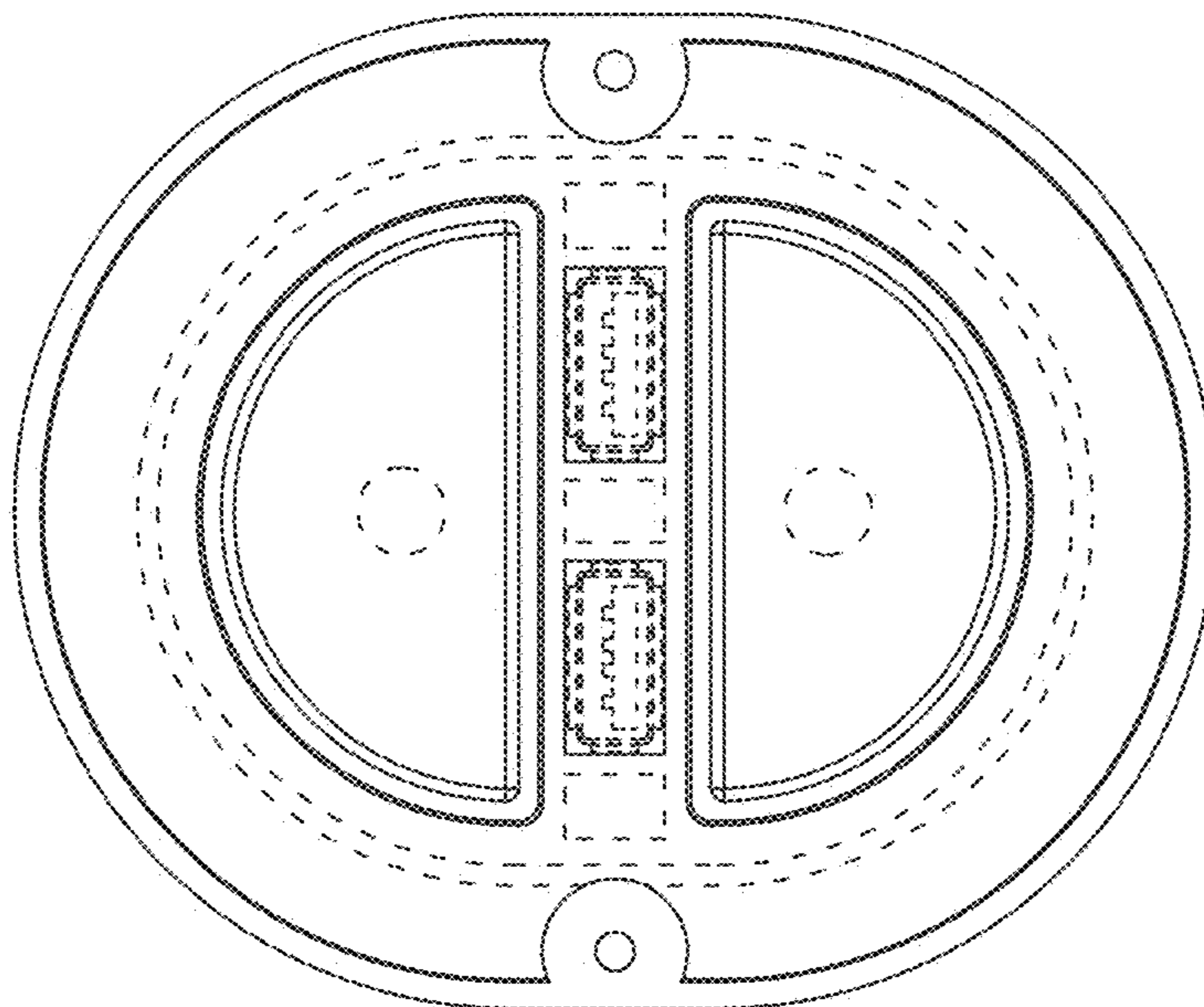


FIG. 5