



US00D700149S

(12) **United States Design Patent**  
**Carlson et al.**

(10) **Patent No.:** **US D700,149 S**

(45) **Date of Patent:** **\*\* Feb. 25, 2014**

(54) **SWITCH**

(75) Inventors: **Michael Scott Carlson**, Deephaven, MN (US); **Maximilian John Aponte**, Savage, MN (US)

(73) Assignee: **Banner Engineering Corporation**, Minneapolis, MN (US)

(\*\*) Term: **14 Years**

(21) Appl. No.: **29/419,992**

(22) Filed: **May 3, 2012**

(51) **LOC (10) Cl.** ..... **13-03**

(52) **U.S. Cl.**  
USPC ..... **D13/171**

(58) **Field of Classification Search**  
USPC ..... D13/171, 174; 307/139, 157;  
315/209 R, 224, 246, 291, 294, 295;  
200/5 R, 5 A, 302.2, 520, 530, 293, 296,  
200/308, 310, 314, 329, 341  
See application file for complete search history.

(56) **References Cited**

**U.S. PATENT DOCUMENTS**

5,077,454 A \* 12/1991 Lorenzo ..... 200/573  
D344,930 S \* 3/1994 Schaeffer ..... D13/171

D437,835 S \* 2/2001 Decosse ..... D13/174  
6,518,529 B2 \* 2/2003 Bonn et al. .... 200/520  
D507,543 S \* 7/2005 Ishii et al. .... D13/174  
7,342,194 B2 \* 3/2008 Karweik et al. .... 200/329  
D596,584 S \* 7/2009 Bedggood ..... D13/158  
7,569,785 B2 \* 8/2009 Mills et al. .... 200/313  
8,084,701 B1 \* 12/2011 Misner ..... 200/43.13  
2006/0144682 A1 \* 7/2006 Karweik et al. .... 200/329  
2012/0199454 A1 \* 8/2012 Guillot et al. .... 200/302.1

\* cited by examiner

*Primary Examiner* — Selina Sikder

(74) *Attorney, Agent, or Firm* — Merchant & Gould P.C.

(57) **CLAIM**

The ornamental design for a switch, as shown and described.

**DESCRIPTION**

FIG. 1 is a perspective view of a switch;  
FIG. 2 is a side view thereof;  
FIG. 3 is a bottom view thereof; and,  
FIG. 4 is a top view thereof.  
The broken lines in the drawings are included for the purpose of illustrating portions of a switch that form no part of the claimed design.

**1 Claim, 4 Drawing Sheets**

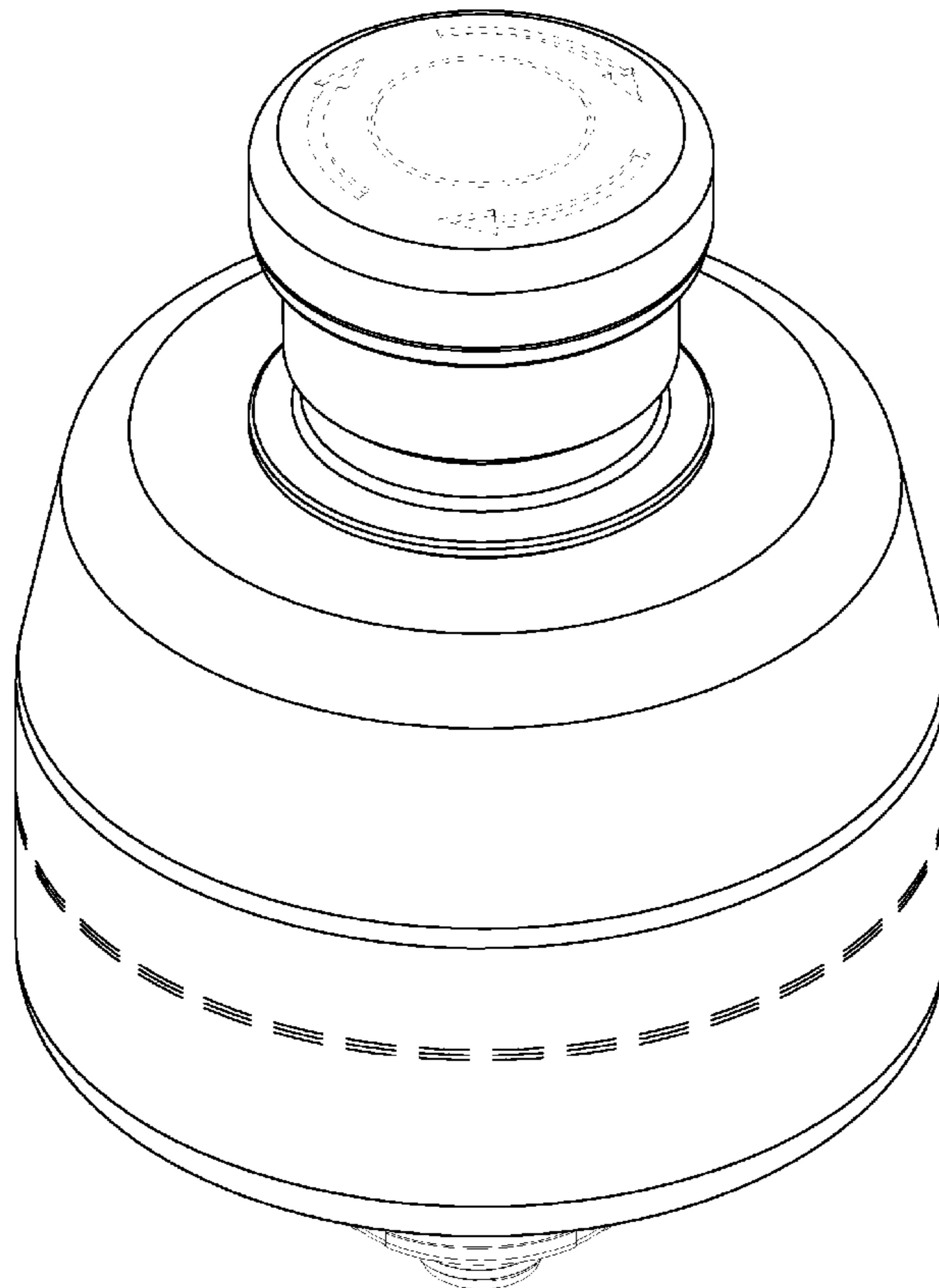


FIG. 1

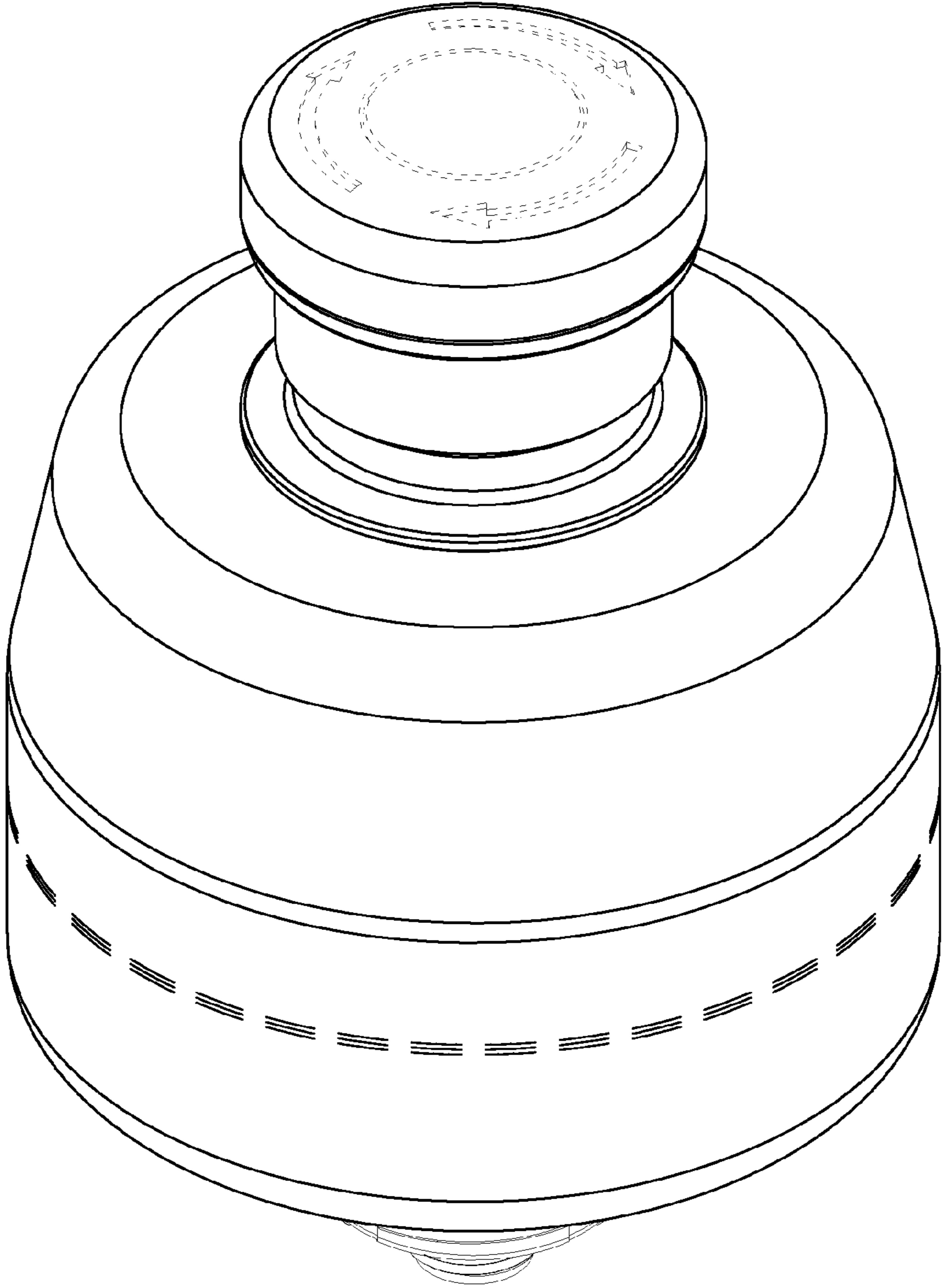


FIG. 2

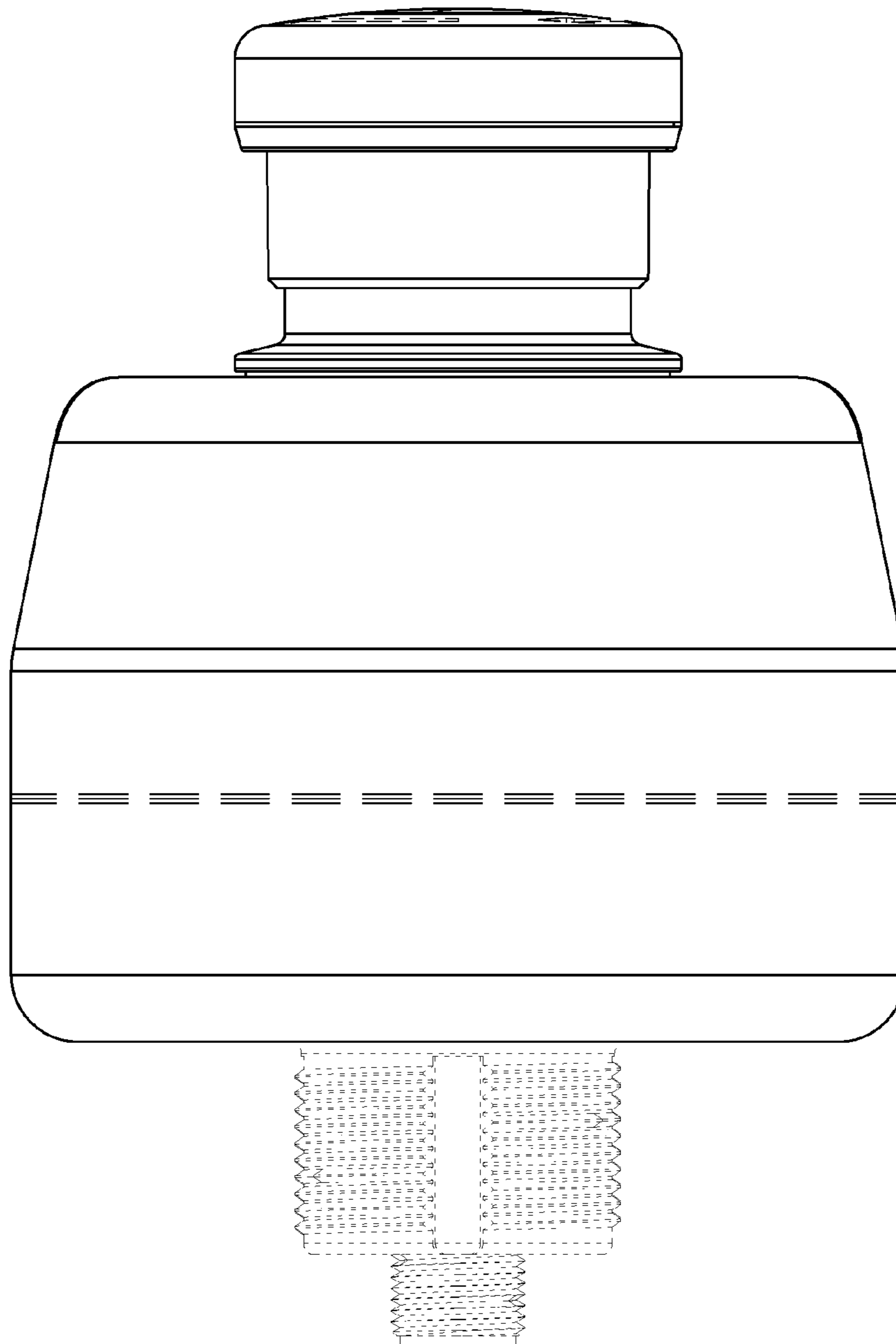


FIG. 3

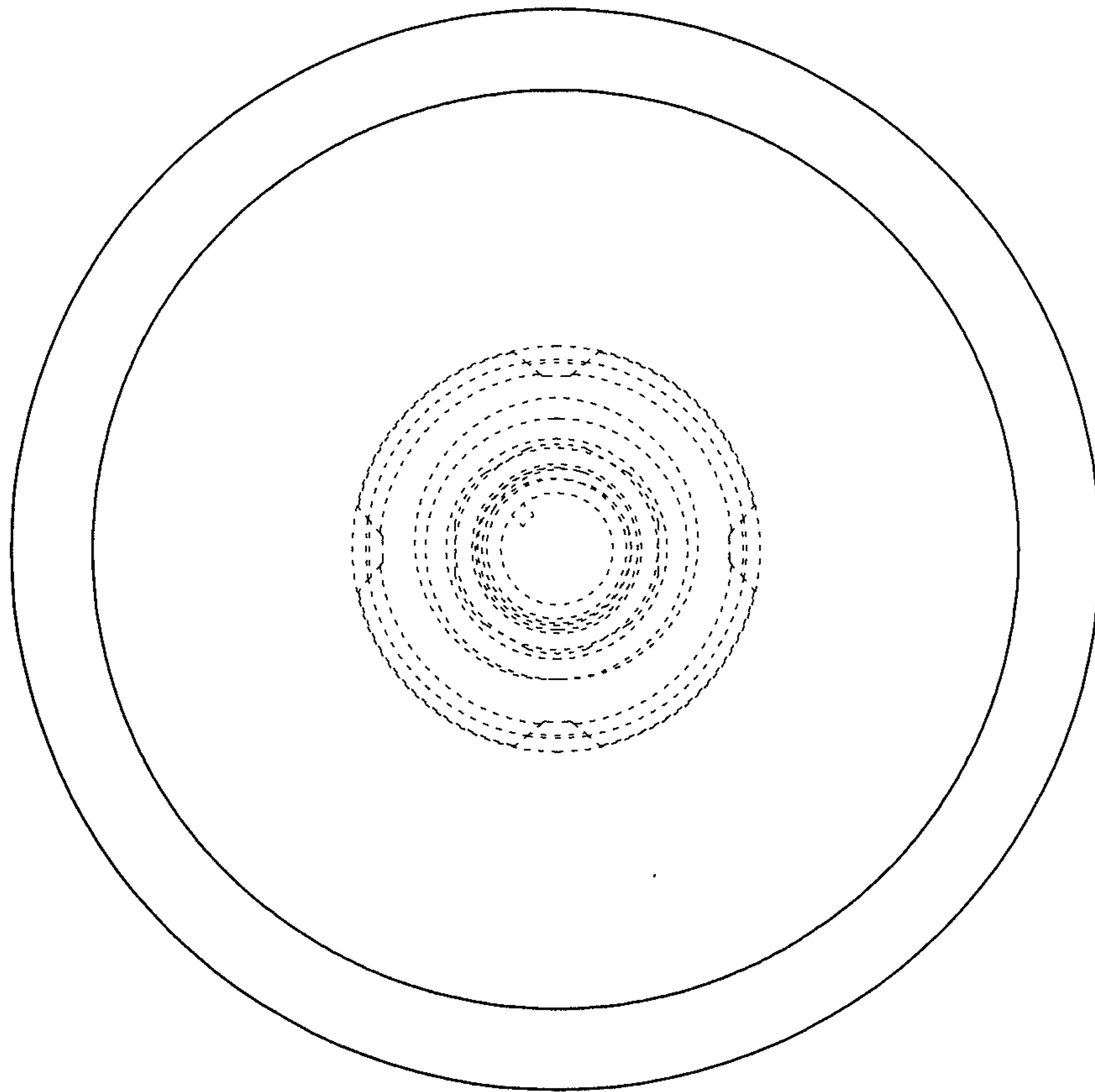


FIG. 4

