



US00D700147S

(12) **United States Design Patent**
Sclare

(10) **Patent No.:** **US D700,147 S**

(45) **Date of Patent:** **** Feb. 25, 2014**

(54) **CONTROL PANEL**

(75) Inventor: **Jacob Sclare**, Dacula, GA (US)

(73) Assignee: **Kids II, Inc.**, Atlanta, GA (US)

(**) Term: **14 Years**

(21) Appl. No.: **29/432,170**

(22) Filed: **Sep. 13, 2012**

(51) **LOC (10) Cl.** **13-03**

(52) **U.S. Cl.**
USPC **D13/162**

(58) **Field of Classification Search**
USPC D13/162, 164; D6/333, 344; D12/133;
D21/476; 5/101, 105; 472/118
See application file for complete search history.

(56) **References Cited**

U.S. PATENT DOCUMENTS

D463,379	S	*	9/2002	Graceffa et al.	D13/164
D464,328	S	*	10/2002	Vasquez et al.	D13/164
6,471,597	B1	*	10/2002	Flannery et al.	472/119
D599,745	S	*	9/2009	Yang	D13/164
D632,262	S	*	2/2011	Feldstein et al.	D13/164
D684,789	S	*	6/2013	Wilkinson	D6/385

2006/0194639	A1	*	8/2006	Greger et al.	472/118
2008/0139327	A1	*	6/2008	Clapper et al.	472/118
2013/0012329	A1	*	1/2013	Burns et al.	472/118

* cited by examiner

Primary Examiner — Selina Sikder

(74) *Attorney, Agent, or Firm* — Katherine D. Buchanan;
Joseph W. Staley

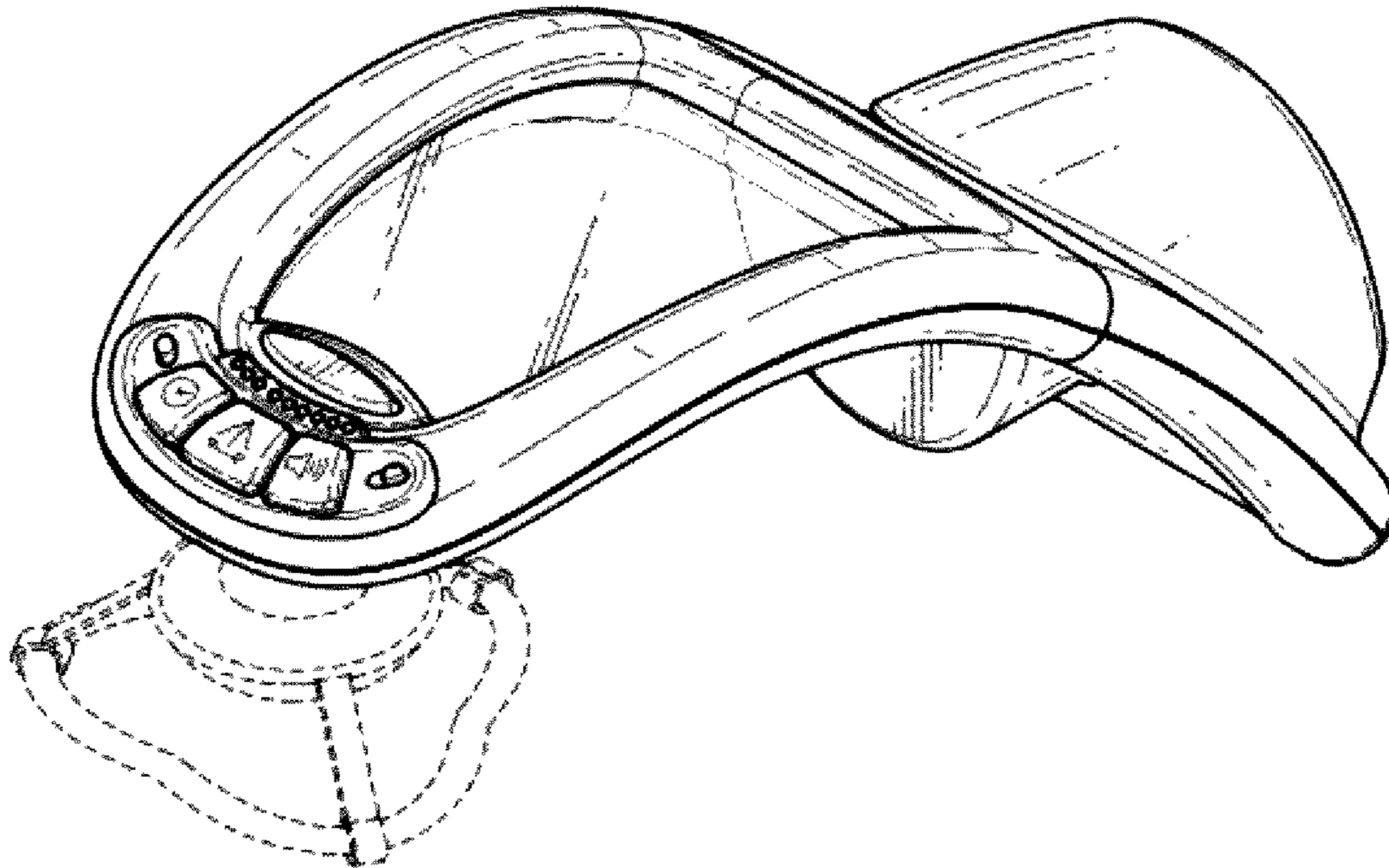
(57) **CLAIM**

The ornamental design for a control panel, substantially as shown and described.

DESCRIPTION

FIG. 1 is a perspective view of a control panel, according to an example embodiment of the design;
FIG. 2 is a first side elevation view of the control panel of FIG. 1, the opposite side being a substantially mirror image thereof;
FIG. 3 is a top plan view of the control panel of FIG. 1;
FIG. 4 is a front elevation view of the control panel of FIG. 1;
FIG. 5 is a back elevation view of the control panel of FIG. 1; and,
FIG. 6 is a bottom plan view of the control panel of FIG. 1.
Portions shown in broken lines are for illustrative purposes only and form no part of the claimed design.

1 Claim, 2 Drawing Sheets



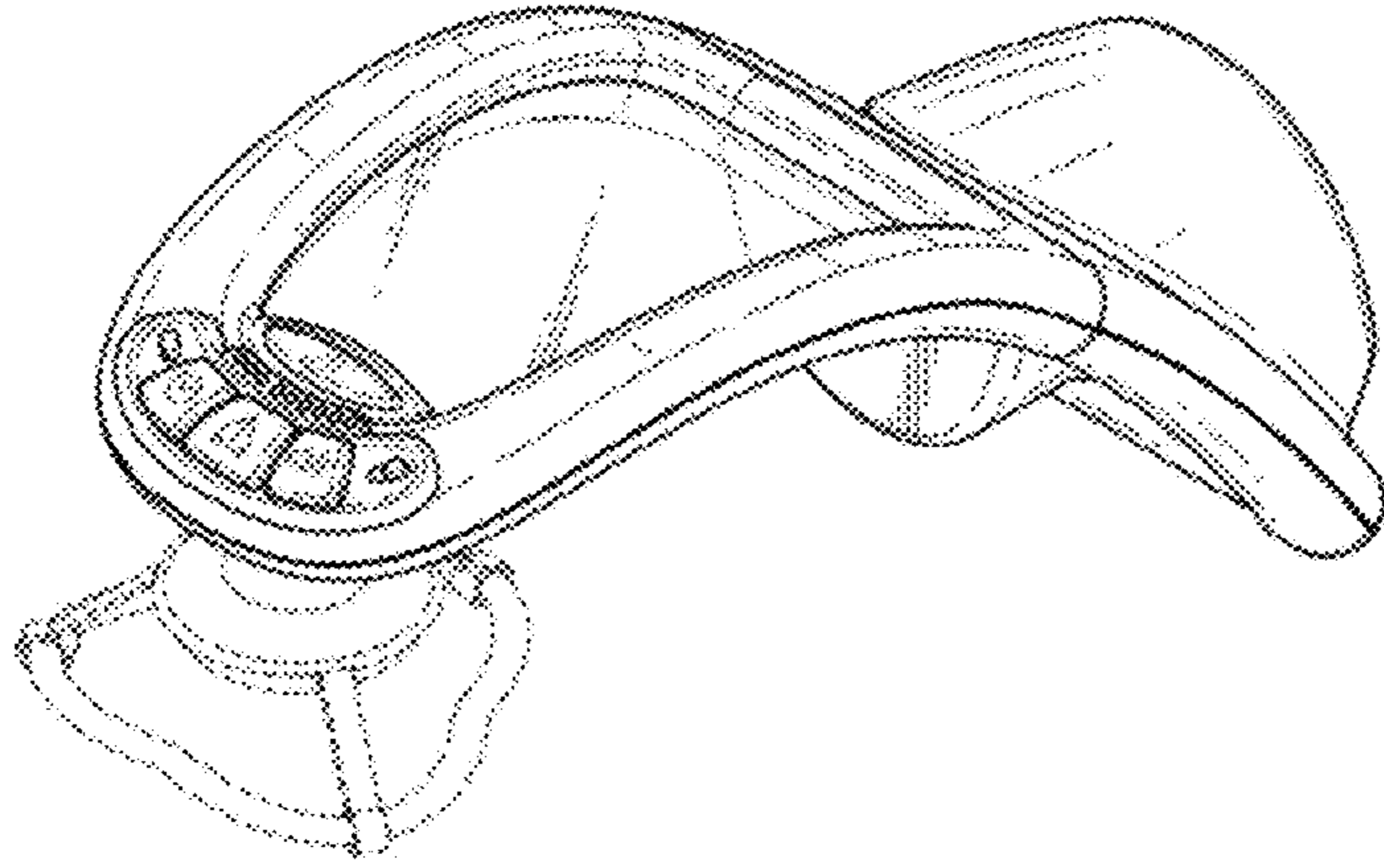


FIG. 1

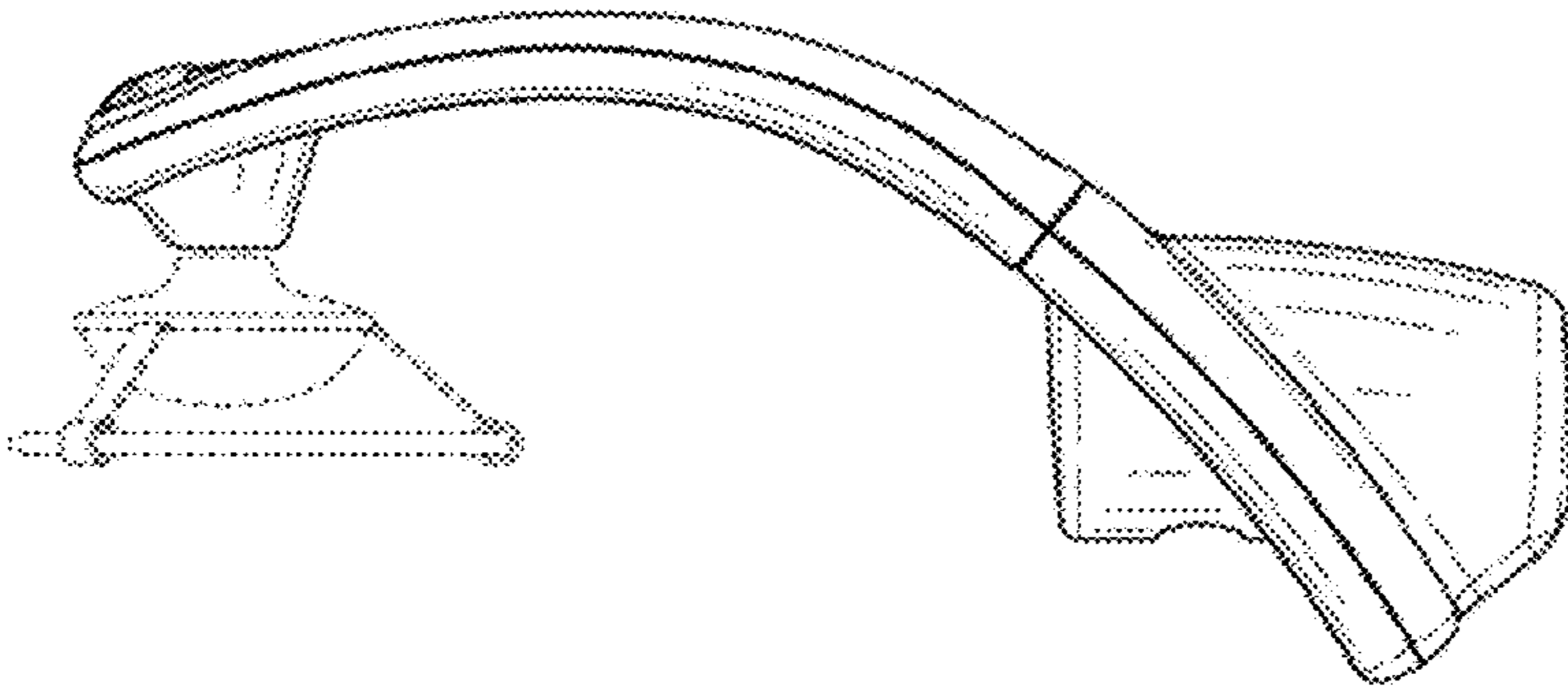


FIG. 2

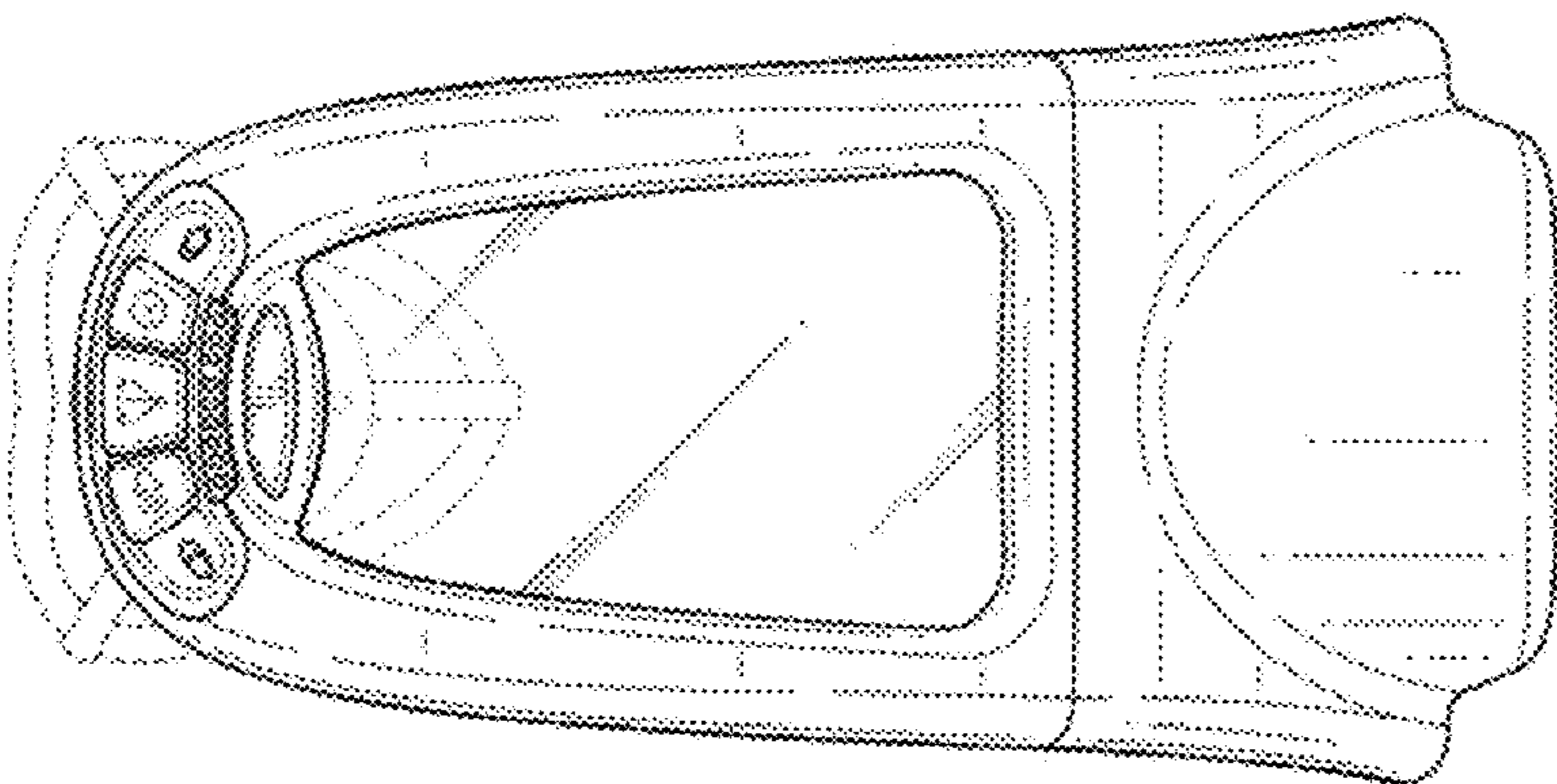


FIG. 3

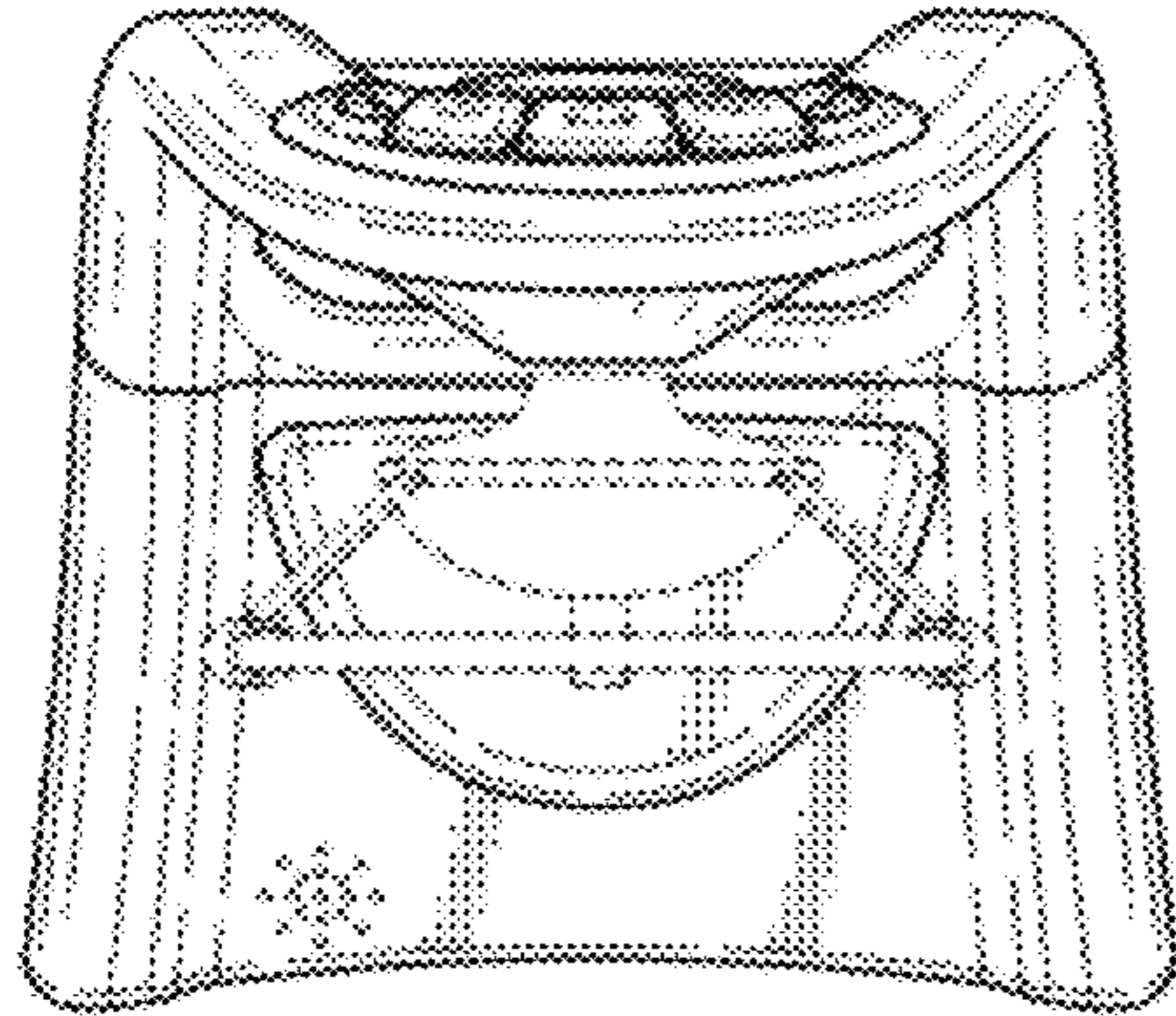


FIG. 4

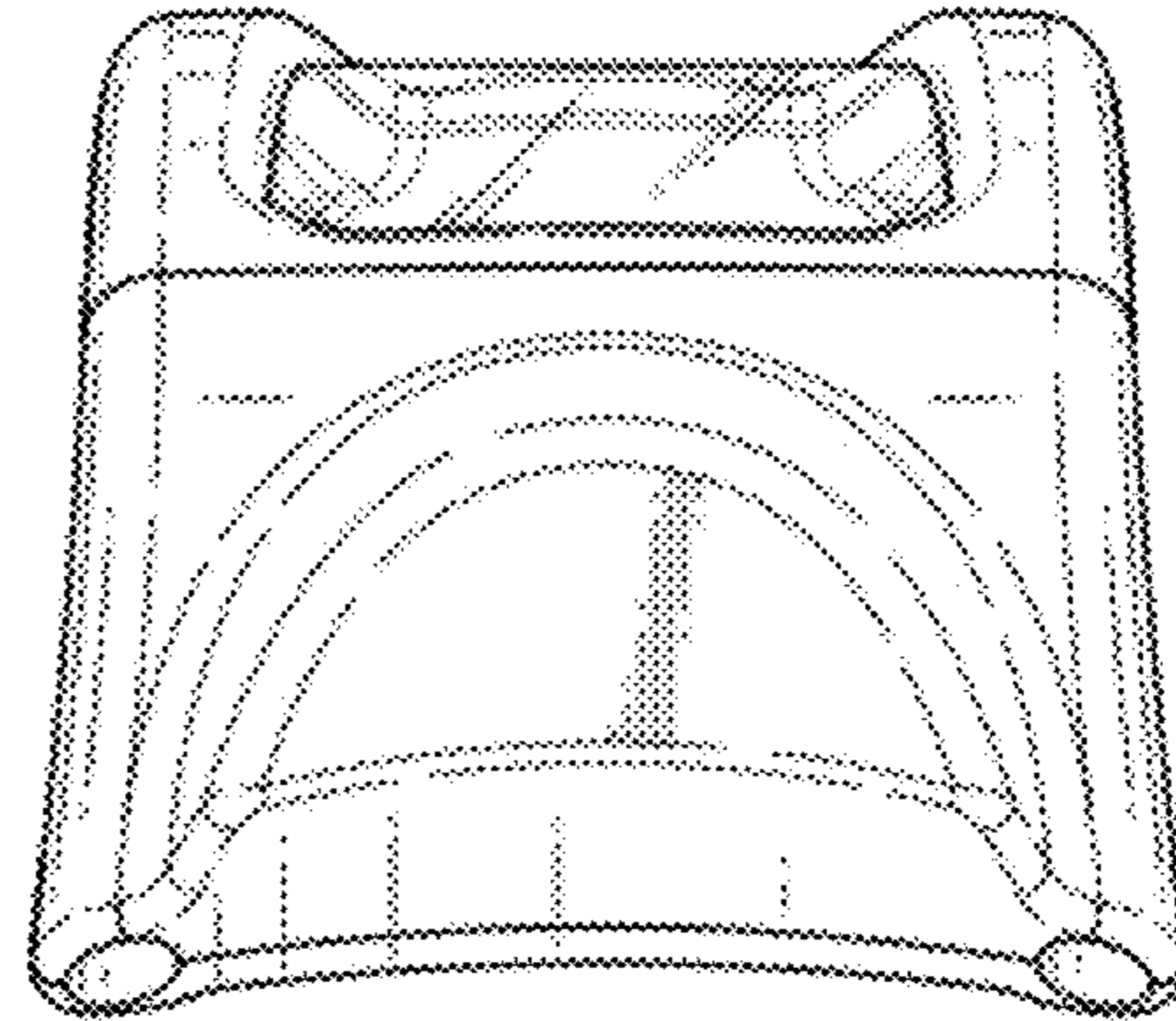


FIG. 5

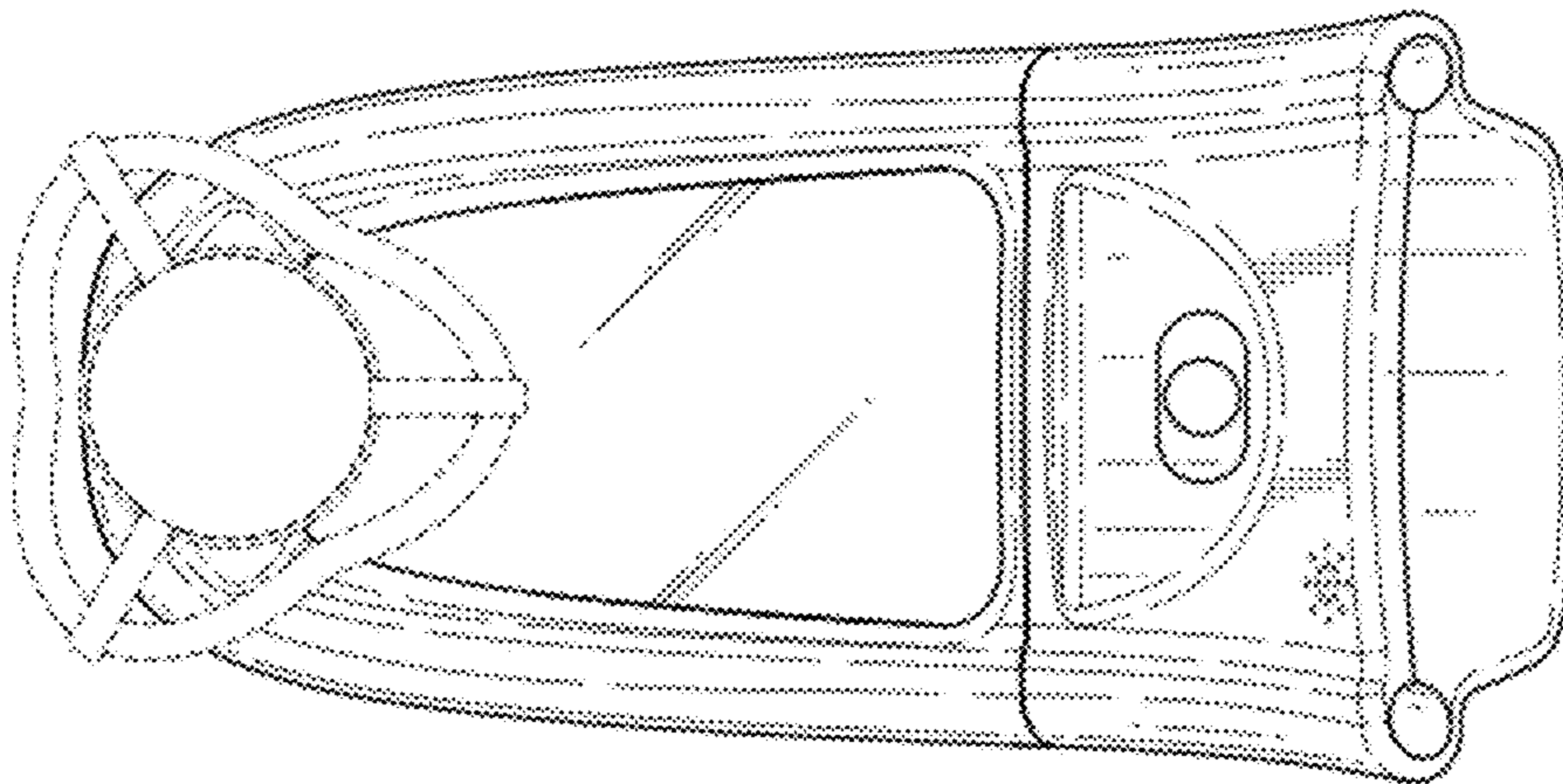


FIG. 6