



US00D700146S

(12) **United States Design Patent**
Becker

(10) **Patent No.:** **US D700,146 S**

(45) **Date of Patent:** **** Feb. 25, 2014**

(54) **ELECTRONIC RELAY HOUSING**

(71) Applicant: **Phoenix Contact GmbH & Co. KG,**
Blomberg (DE)

(72) Inventor: **Markus Becker,** Paderborn (DE)

(73) Assignee: **Phoenix Contact GmbH & Co. KG,**
Blomberg (DE)

(**) Term: **14 Years**

(21) Appl. No.: **29/434,234**

(22) Filed: **Oct. 11, 2012**

(30) **Foreign Application Priority Data**

Apr. 12, 2012 (EM) 002024372
Apr. 12, 2012 (EM) 002024372-0001

(51) **LOC (10) Cl.** **13-03**

(52) **U.S. Cl.**
USPC **D13/159**

(58) **Field of Classification Search**
USPC D13/110, 119, 123, 158-164, 171, 173,
D13/174, 177, 178, 184, 199; 439/639, 271,
439/535, 652, 709, 715-717, 736; 361/601,
361/622, 627-628, 690; D14/240, 433,
D14/434, 356-358; 455/89, 90, 346-349;
340/825.22, 825.24

See application file for complete search history.

(56) **References Cited**

U.S. PATENT DOCUMENTS

D355,887 S * 2/1995 Rodeffer et al. D13/110

D358,365 S * 5/1995 Rodeffer et al. D13/110
D368,251 S * 3/1996 Mahajan et al. D13/160
D392,257 S * 3/1998 Lecheler et al. D13/184
D398,901 S * 9/1998 Roman D13/123
D425,017 S * 5/2000 Leung D13/110
D427,587 S * 7/2000 Jacobsen et al. D14/240
D466,486 S * 12/2002 Gillingham et al. D13/184
D516,445 S * 3/2006 DiPasquale D10/106.6
D540,315 S * 4/2007 Merrow et al. D14/240
D573,985 S * 7/2008 Jeong et al. D14/240
D661,254 S * 6/2012 Grunwald et al. D13/123

* cited by examiner

Primary Examiner — Thomas Johannes

(74) *Attorney, Agent, or Firm* — Roberts Mlotkowski Safran
& Cole, P.C.; David S. Safran

(57) **CLAIM**

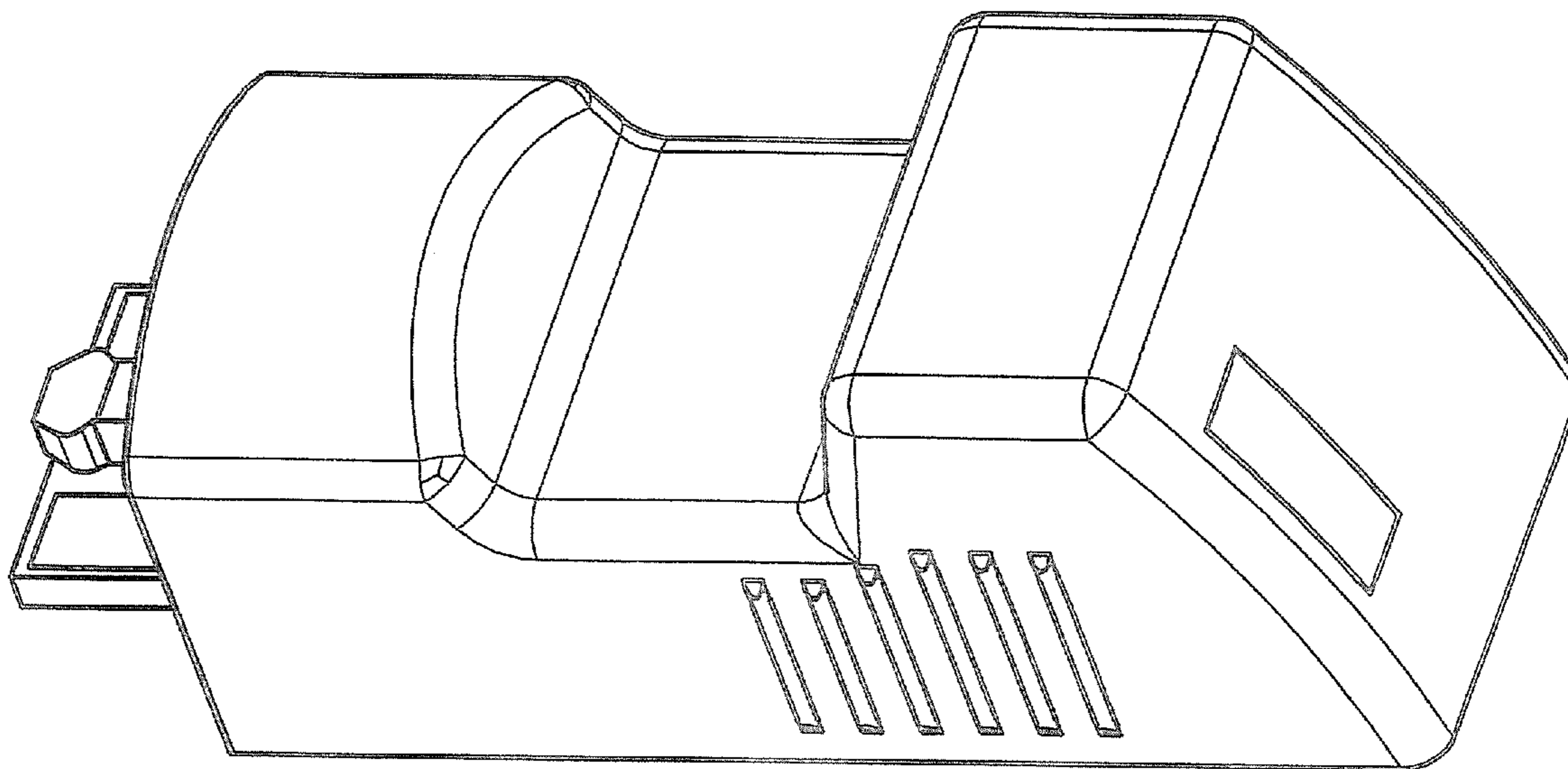
The ornamental design for an electronic relay housing, as shown and described.

DESCRIPTION

FIG. 1 is a top, right, front perspective view of an electronic relay housing in accordance with my new design;
FIG. 2 is a right side elevation view thereof;
FIG. 3 is a rear elevation view thereof;
FIG. 4 is a left side elevation view thereof;
FIG. 5 is a front elevation view thereof; and
FIG. 6 is a top plan view thereof; and
FIG. 7 is a bottom plan view thereof.

The broken line portion of the figure drawings is included to show unclaimed subject matter only and forms no part of the claimed design.

1 Claim, 7 Drawing Sheets



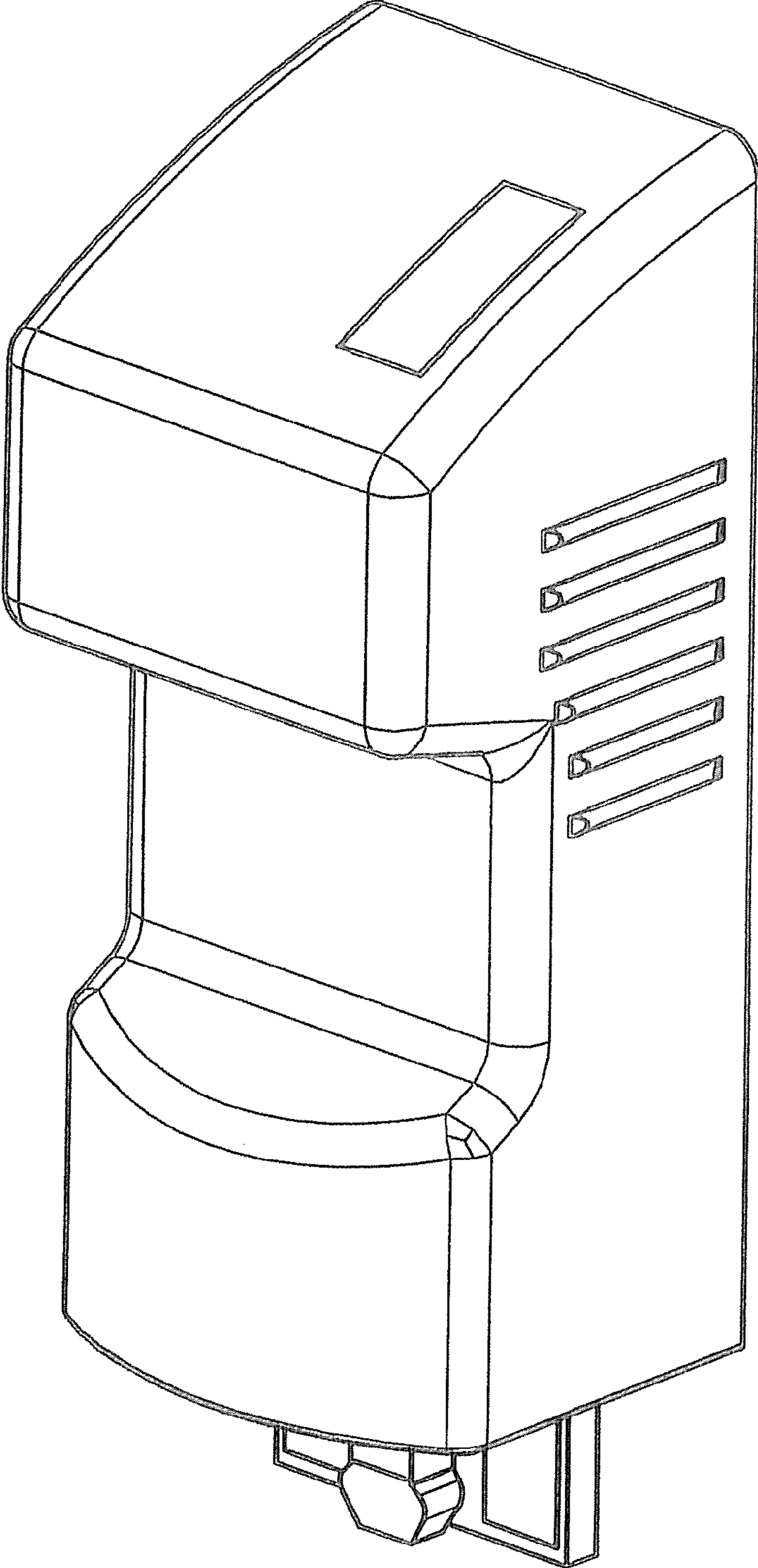


Fig. 1

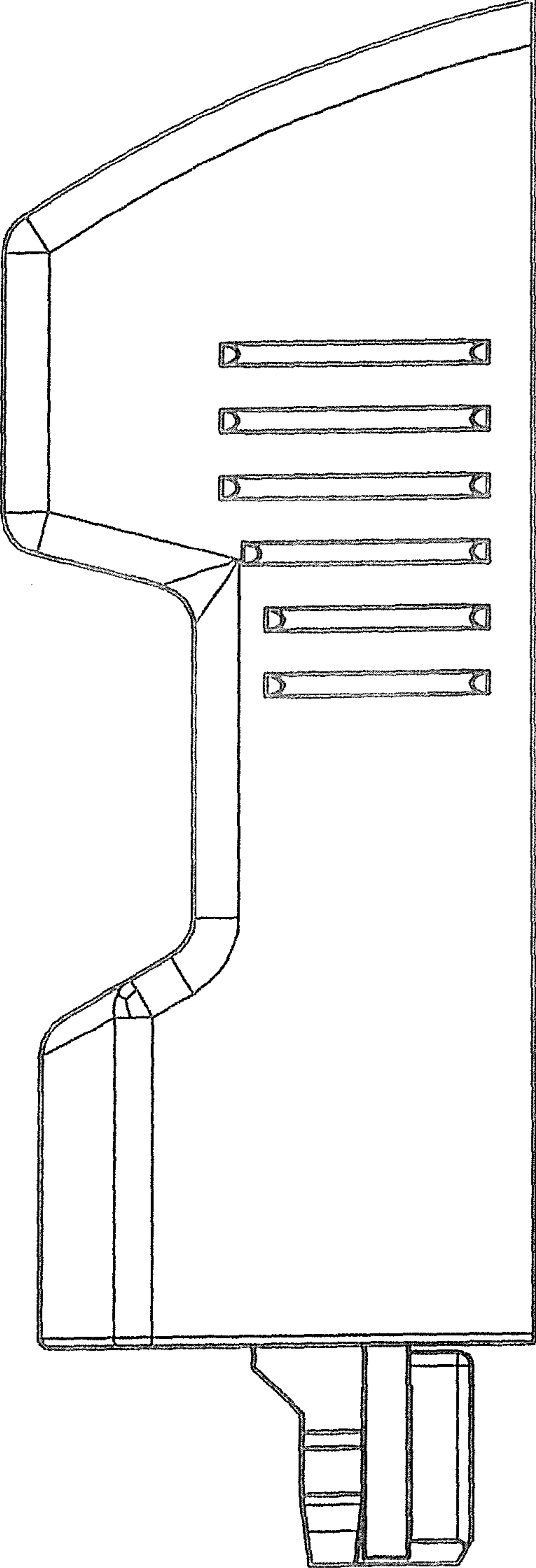


Fig. 2

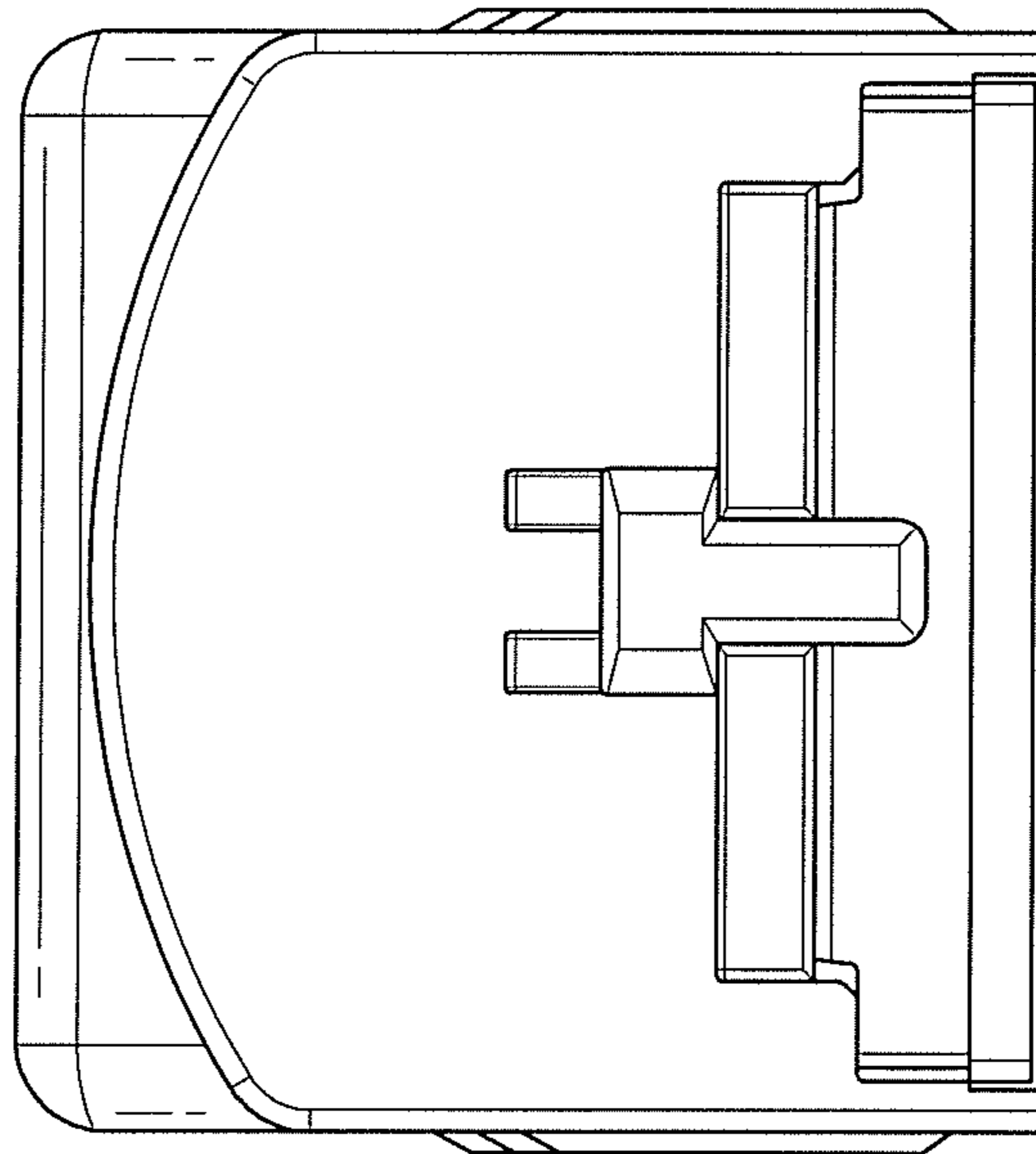


Fig. 3

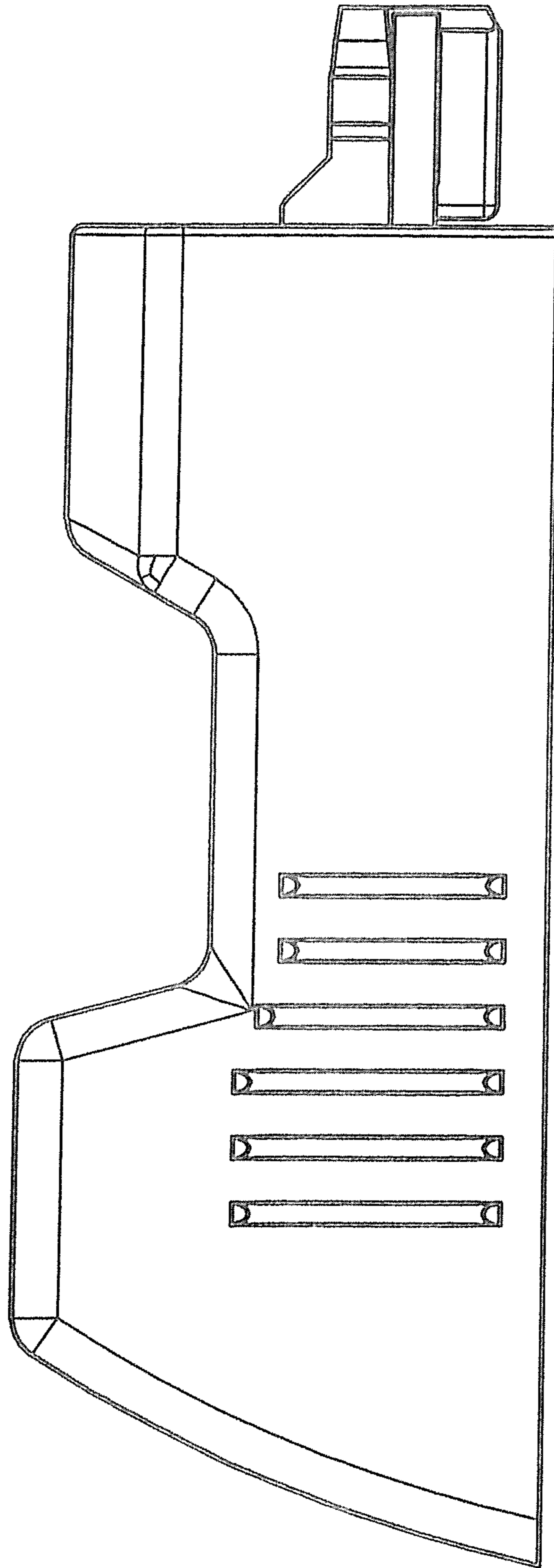


Fig. 4

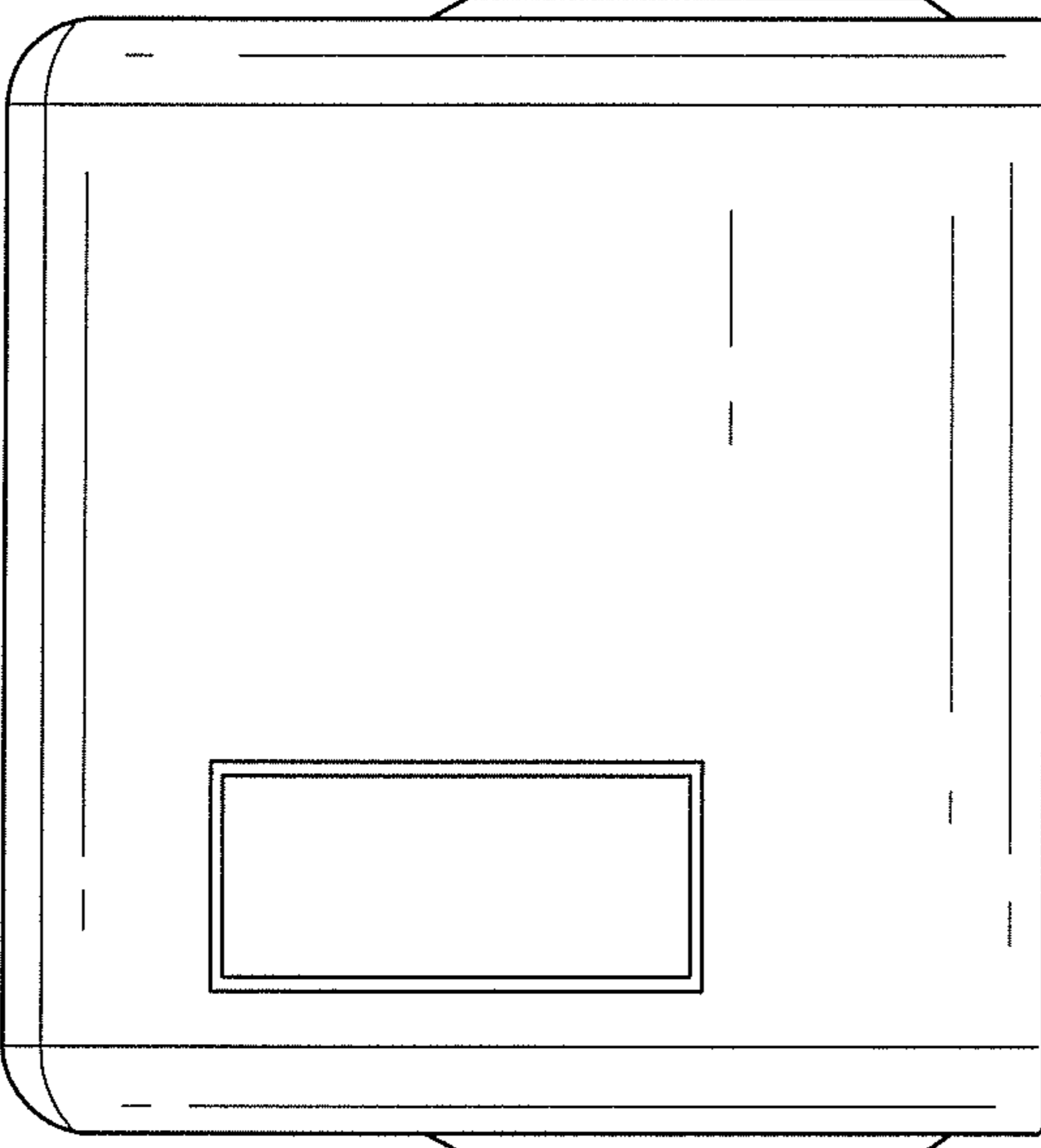


Fig. 5

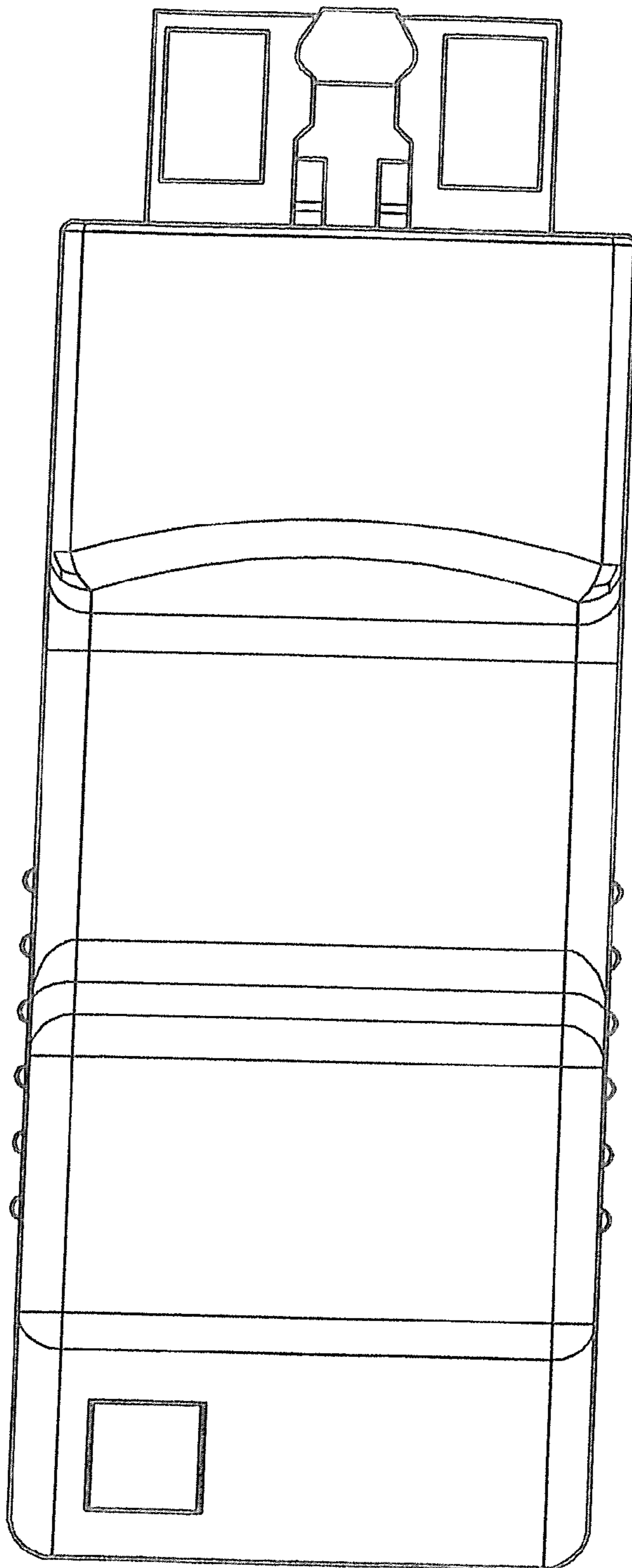


Fig. 6

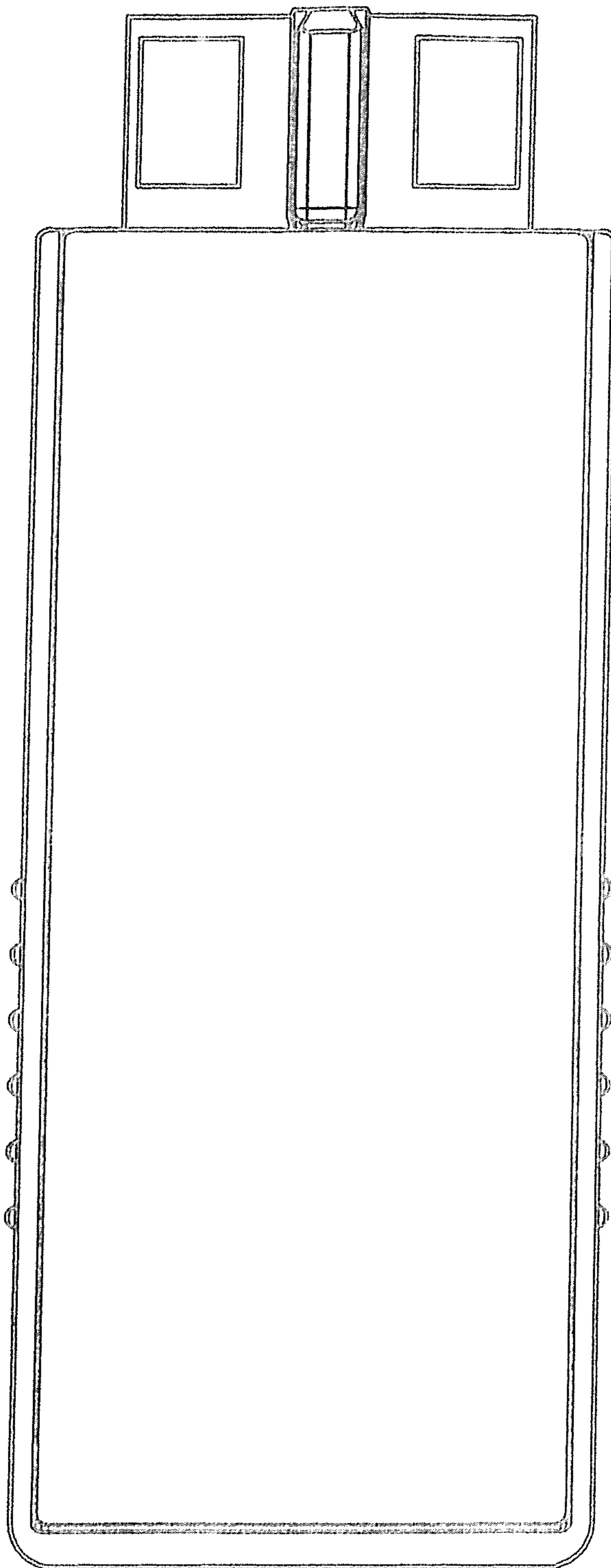


Fig. 7