



US00D700145S

(12) **United States Design Patent**  
**Feldstein et al.**

(10) **Patent No.:** **US D700,145 S**  
(45) **Date of Patent:** **\*\* Feb. 25, 2014**

- (54) **HI-DEFINITION MULTIMEDIA INTERFACE (HDMI) SHIELD**
- (75) Inventors: **Wendy Feldstein**, Old Tappan, NJ (US);  
**Gregory Sorrentino**, Brewster, NY (US)
- (73) Assignee: **Crestron Electronics Inc.**, Rockleigh, NJ (US)
- (\*\*) Term: **14 Years**
- (21) Appl. No.: **29/415,624**
- (22) Filed: **Mar. 13, 2012**
- (51) **LOC (10) Cl.** ..... **13-03**
- (52) **U.S. Cl.**  
USPC ..... **D13/154**
- (58) **Field of Classification Search**  
USPC ..... D13/110, 133, 146, 147, 154;  
439/607.01, 607.04, 607.07-607.09,  
439/607.11, 607.13, 607.14, 607.25,  
439/607.31, 607.32, 353; 361/818; 174/358  
See application file for complete search history.

(56) **References Cited**

U.S. PATENT DOCUMENTS

4,236,779	A	12/1980	Tang	
4,239,318	A	12/1980	Schwartz	
4,512,623	A	4/1985	Tomsa	
4,703,133	A	10/1987	Miller	
4,754,101	A	6/1988	Stickney et al.	
5,628,653	A	5/1997	Haas et al.	
6,659,799	B2 *	12/2003	Yang	439/607.19
6,932,640	B1	8/2005	Sung	
D509,190	S *	9/2005	Tsai	D13/147
7,270,570	B1	9/2007	Hamner et al.	
D555,101	S *	11/2007	Xiao et al.	D13/147
D591,685	S *	5/2009	Hung et al.	D13/147

D601,971	S *	10/2009	Chen et al.	D13/154
D611,424	S *	3/2010	Arai et al.	D13/147
D613,252	S *	4/2010	Nagata et al.	D13/147
7,952,890	B2	5/2011	Myers et al.	
D639,245	S *	6/2011	Wada et al.	D13/147
D640,202	S *	6/2011	Wang et al.	D13/147
D640,203	S *	6/2011	Wang et al.	D13/147
D642,130	S *	7/2011	Wang et al.	D13/147
D648,679	S *	11/2011	He	D13/147
D649,940	S *	12/2011	Arai et al.	D13/147
D650,759	S *	12/2011	Arai et al.	D13/147
D662,890	S *	7/2012	Sasaki	D13/147
D668,616	S *	10/2012	Ohtsuji	D13/147
D693,309	S *	11/2013	Lee et al.	D13/147
2005/0227543	A1 *	10/2005	Masumoto et al.	439/660
2006/0036788	A1	2/2006	Galang et al.	
2008/0057786	A1 *	3/2008	Gu et al.	439/607
2012/0325546	A1 *	12/2012	Feldstein et al.	174/358
2012/0327630	A1 *	12/2012	Feldstein et al.	361/818
2013/0224998	A1 *	8/2013	Feldstein et al.	439/607.01

\* cited by examiner

*Primary Examiner* — Thomas Johannes

*Assistant Examiner* — Khawaja Anwar

(74) *Attorney, Agent, or Firm* — Crestron Electronics Inc.

(57) **CLAIM**

The ornamental design for a hi-definition multimedia interface (HDMI) shield, as shown and described.

**DESCRIPTION**

FIG. 1 shows a front isometric projection view of a hi-definition multimedia interface (HDMI) shield in accordance with the present invention;

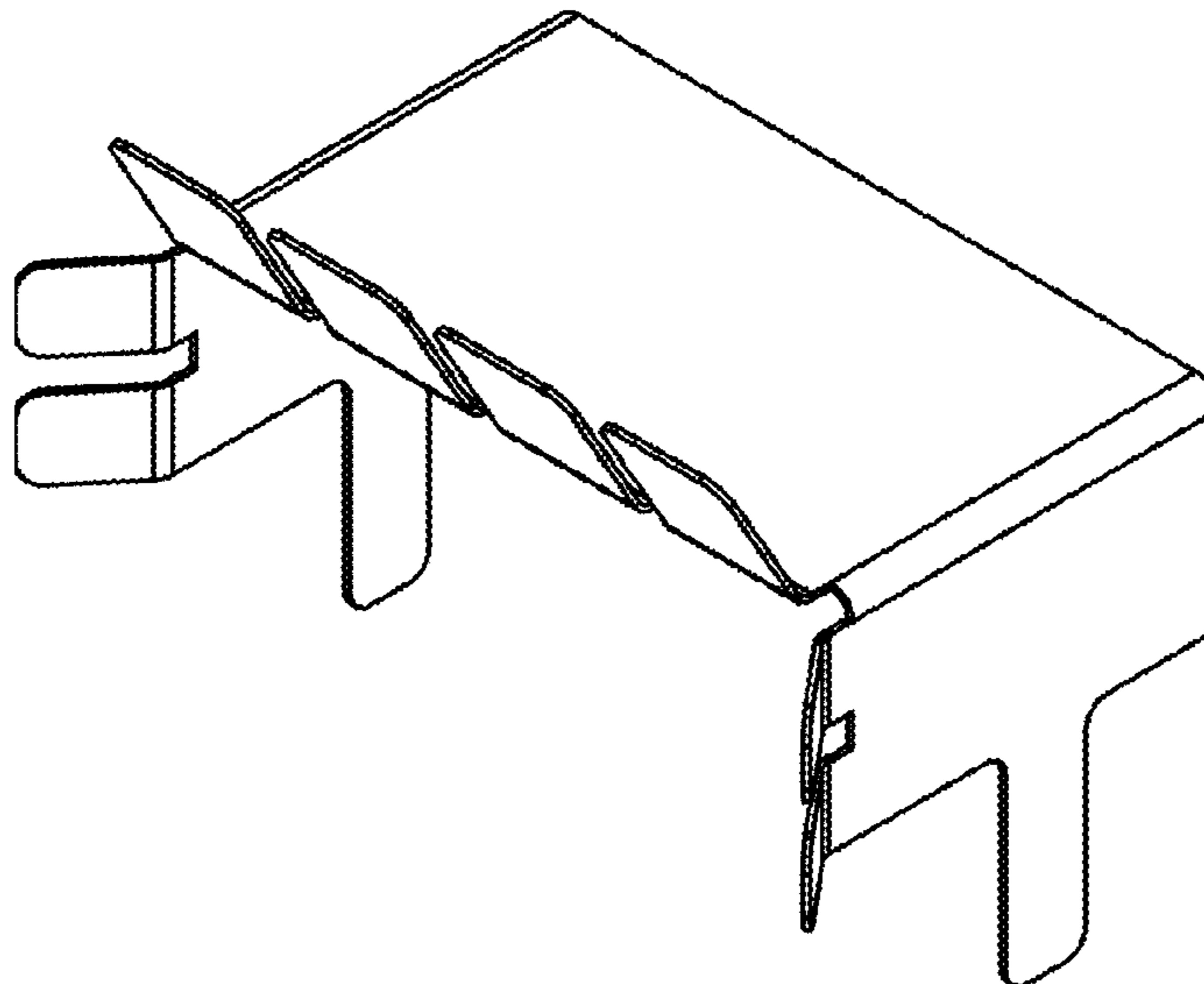
FIG. 2 shows a top view thereof;

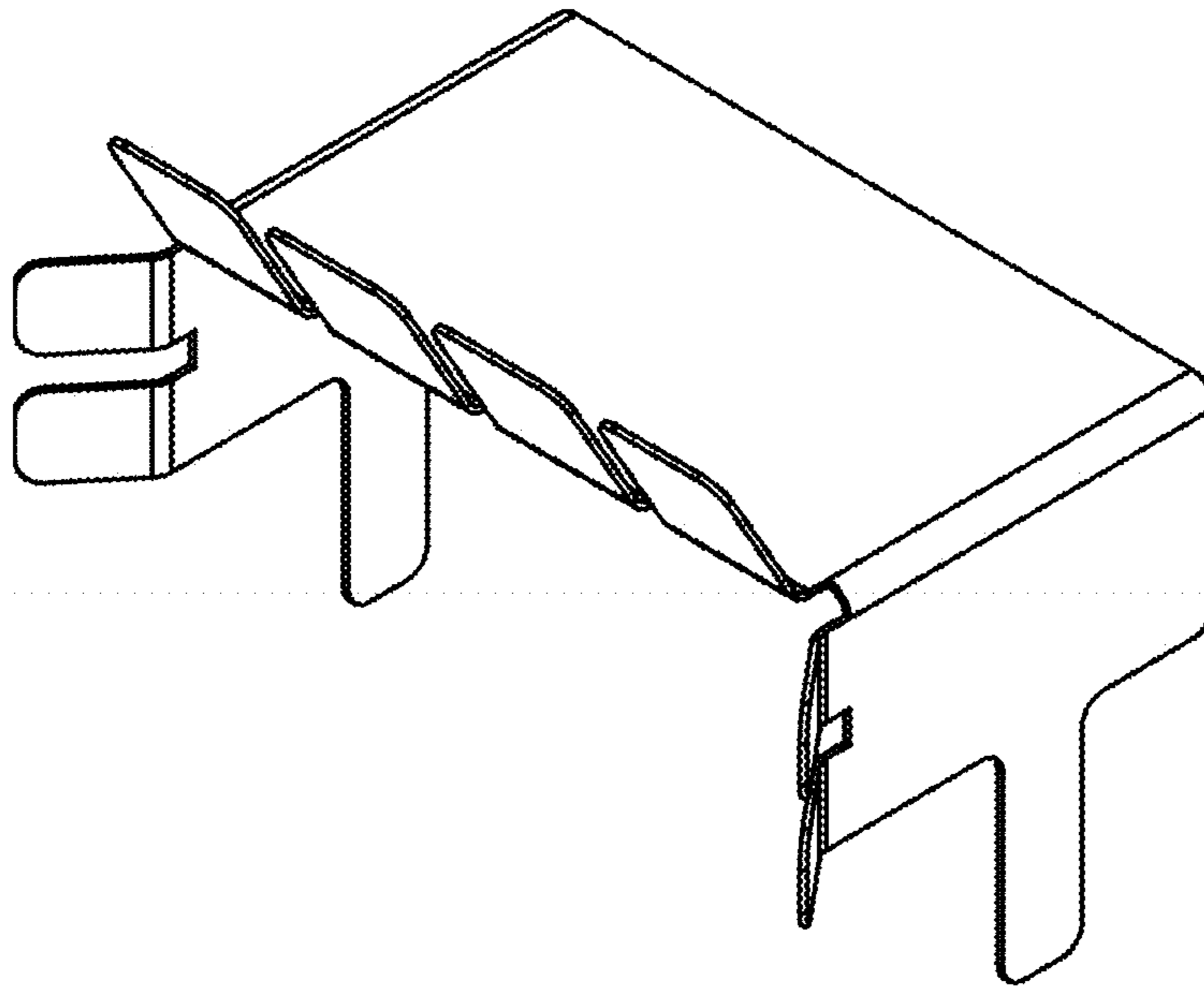
FIG. 3 shows a front view thereof;

FIG. 4 shows a right side view thereof; and,

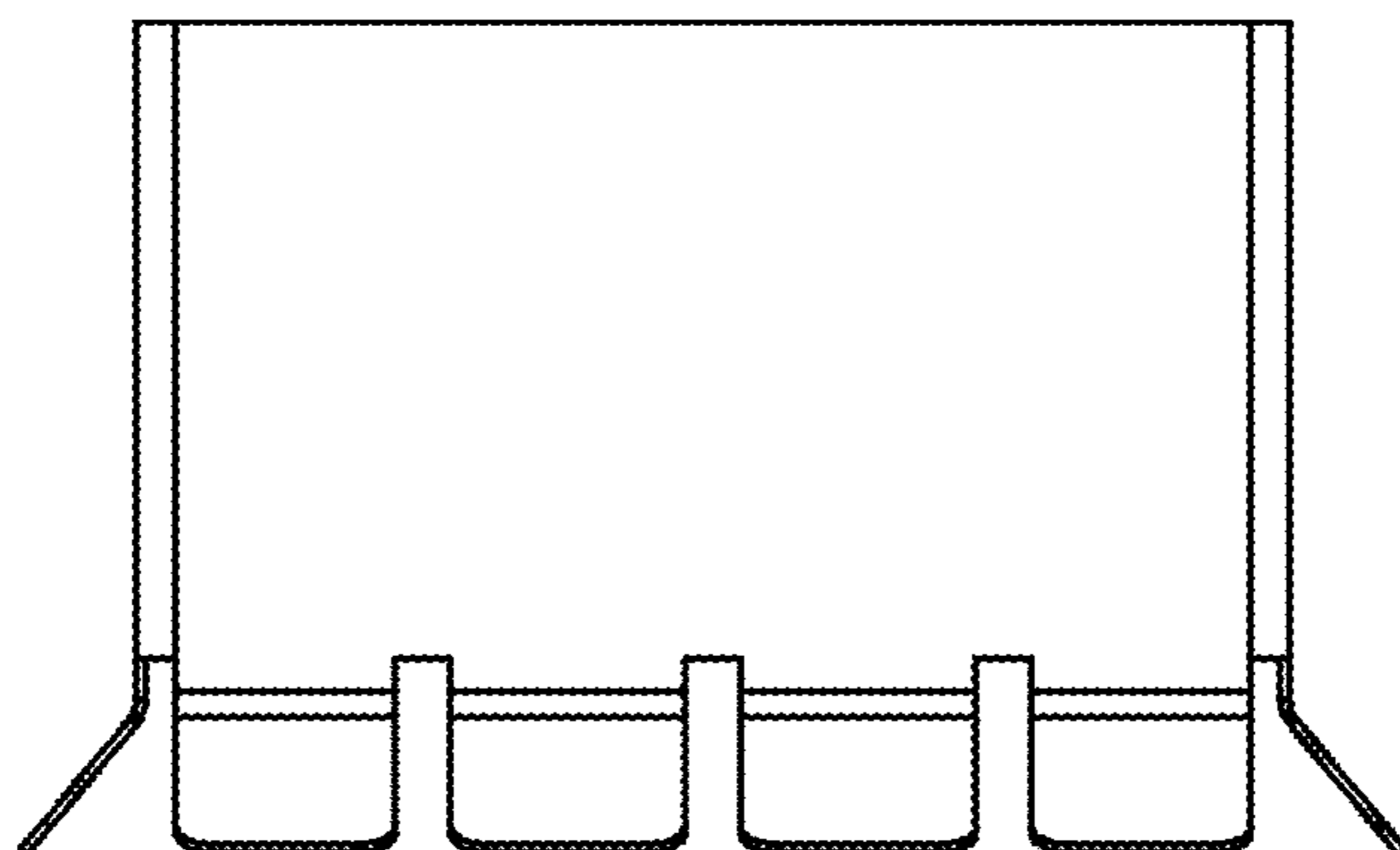
FIG. 5 shows a left side view thereof.

**1 Claim, 3 Drawing Sheets**

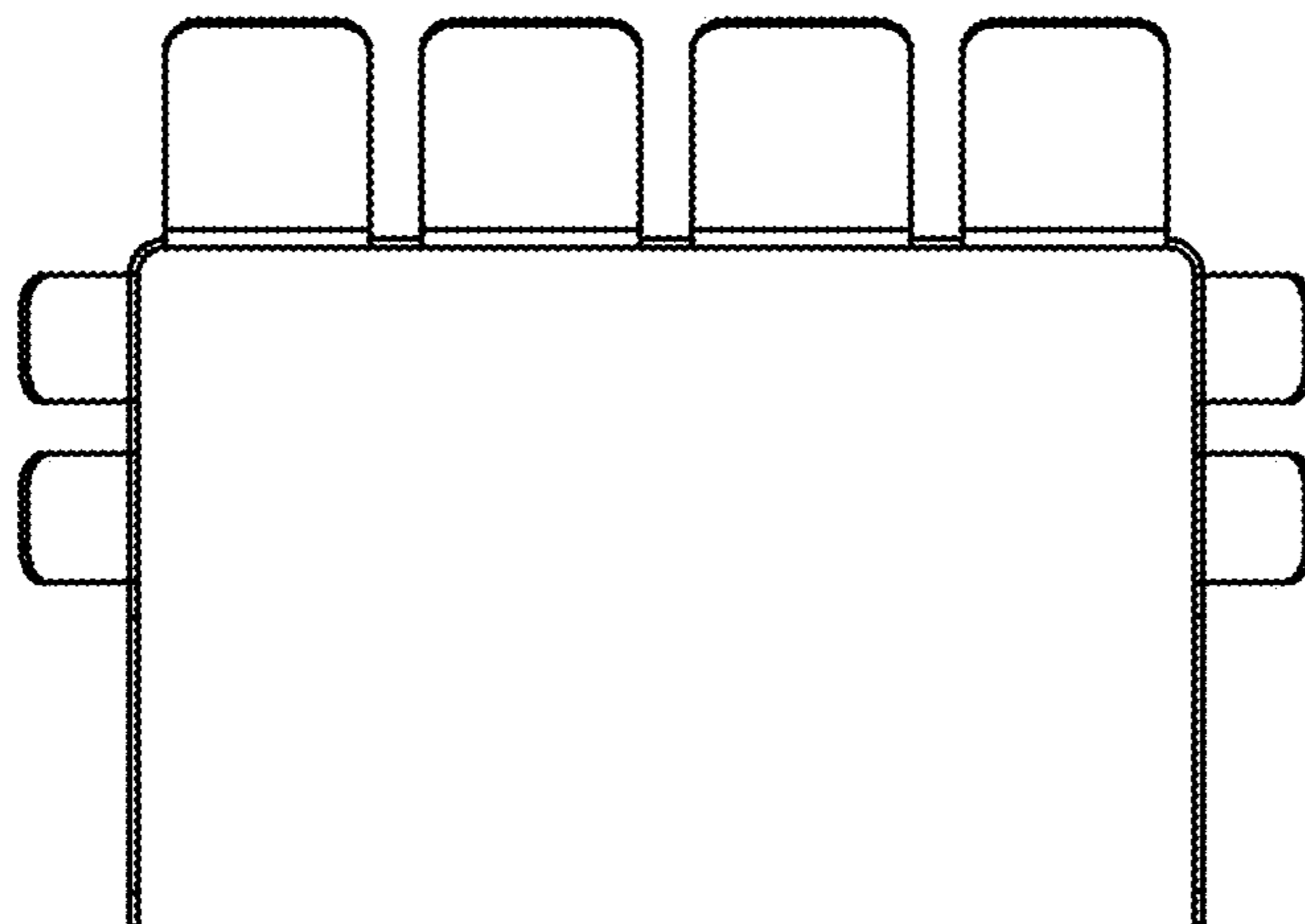




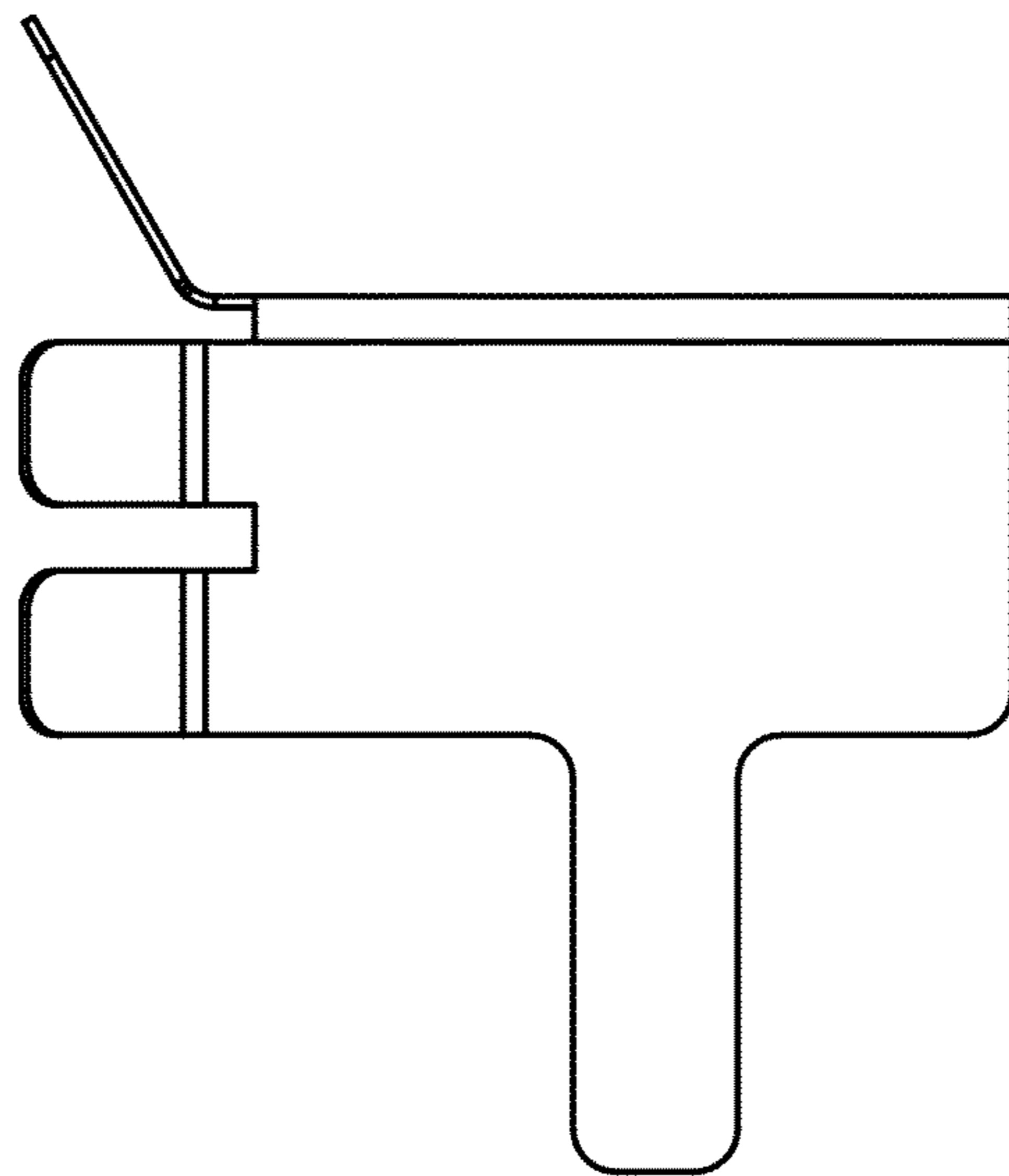
**FIG. 1**



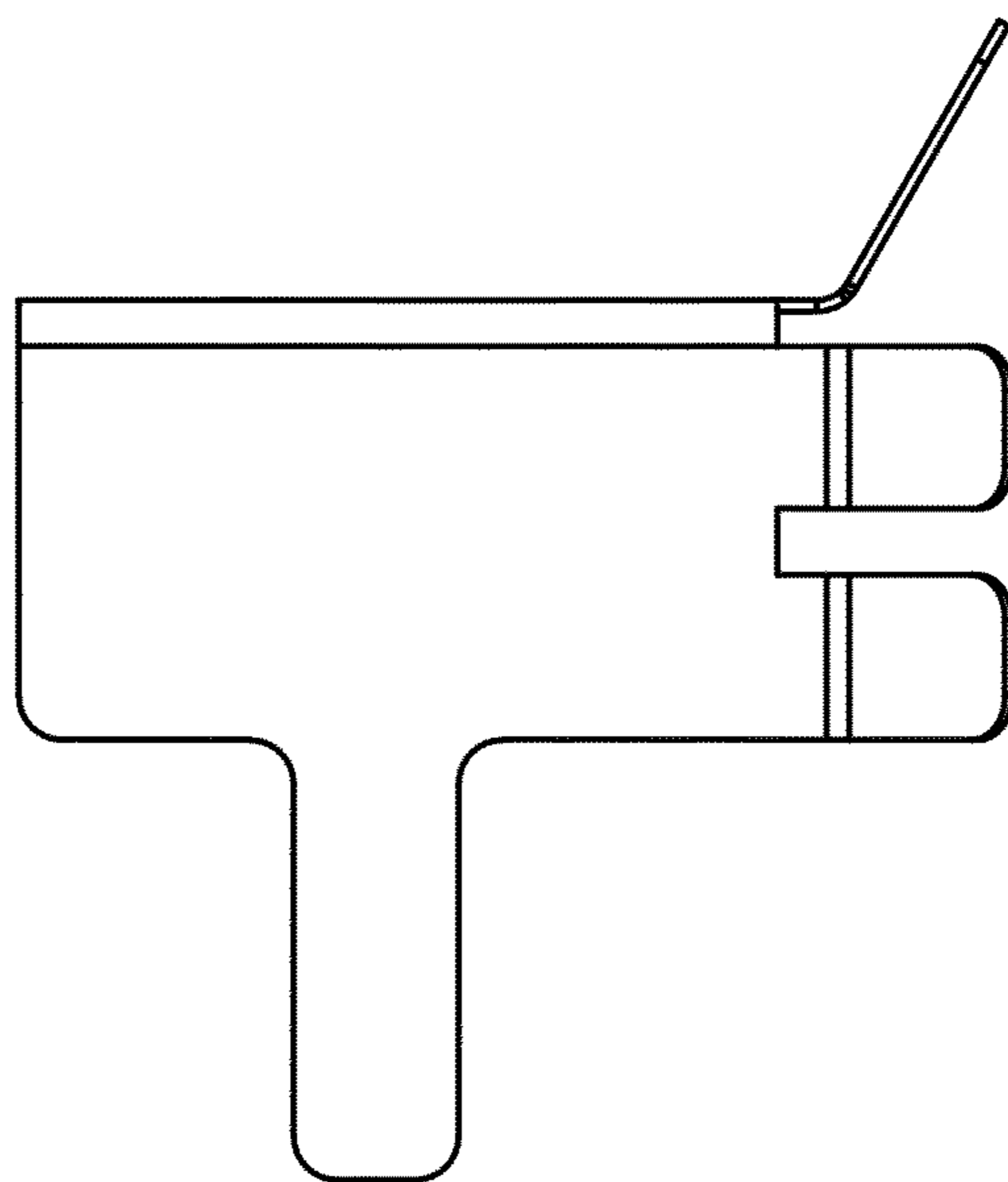
**FIG. 2**



**FIG. 3**



**FIG. 4**



**FIG. 5**