



US00D700144S

(12) **United States Design Patent**
Benedict et al.

(10) **Patent No.:** **US D700,144 S**

(45) **Date of Patent:** **** Feb. 25, 2014**

(54) **ELECTRICAL ADAPTER**

(71) Applicant: **Camco Manufacturing, Inc.**,
Greensboro, NC (US)

(72) Inventors: **Dominic W Benedict**, Stokesdale, NC
(US); **Jeffrey R Russell**, Winston-Salem,
NC (US)

(73) Assignee: **Camco Manufacturing Inc.**,
Greensboro, NC (US)

(**) Term: **14 Years**

(21) Appl. No.: **29/421,991**

(22) Filed: **Nov. 6, 2012**

(51) **LOC (10) Cl.** **13-03**

(52) **U.S. Cl.**
USPC **D13/147; D13/133**

(58) **Field of Classification Search**
USPC D13/120, 133, 137-138, 146, 147, 154;
439/180, 246, 252, 278, 374, 378, 379,
439/380, 381, 527, 529, 533, 675, 750, 842,
439/851, 889, 892, 894, 944, 948
See application file for complete search history.

(56) **References Cited**

U.S. PATENT DOCUMENTS

D292,397 S * 10/1987 Poliak et al. D13/138.2
D376,129 S 12/1996 Muller et al.
D462,056 S 8/2002 Chung
D523,811 S 6/2006 Pison
D549,650 S * 8/2007 Russell et al. D13/137.2
D564,964 S 3/2008 Caine et al.
D576,552 S * 9/2008 Caine et al. D13/137.2

D626,073 S * 10/2010 Skidmore et al. D13/146
D627,728 S * 11/2010 Smith et al. D13/138.1
D627,731 S * 11/2010 Huang et al. D13/146
D657,313 S * 4/2012 Fahrendorff et al. D13/138.2
D660,235 S * 5/2012 Liang-Hsu et al. D13/138.2
D664,095 S * 7/2012 Benedict et al. D13/138.2
D677,629 S * 3/2013 Corona D13/133

OTHER PUBLICATIONS

Ref. No. 1, Offset Electrical Adapter 15M-30F from Atomic Mall
website (www.atomicmall.com), Feb. 17, 2012, 1 Page.

Ref. No. 2, 30M/15F CD/1 A10-0014 VP from RV Plus website
(www.rvplus.com), Feb. 17, 2012, 1 Page.

* cited by examiner

Primary Examiner — Thomas Johannes

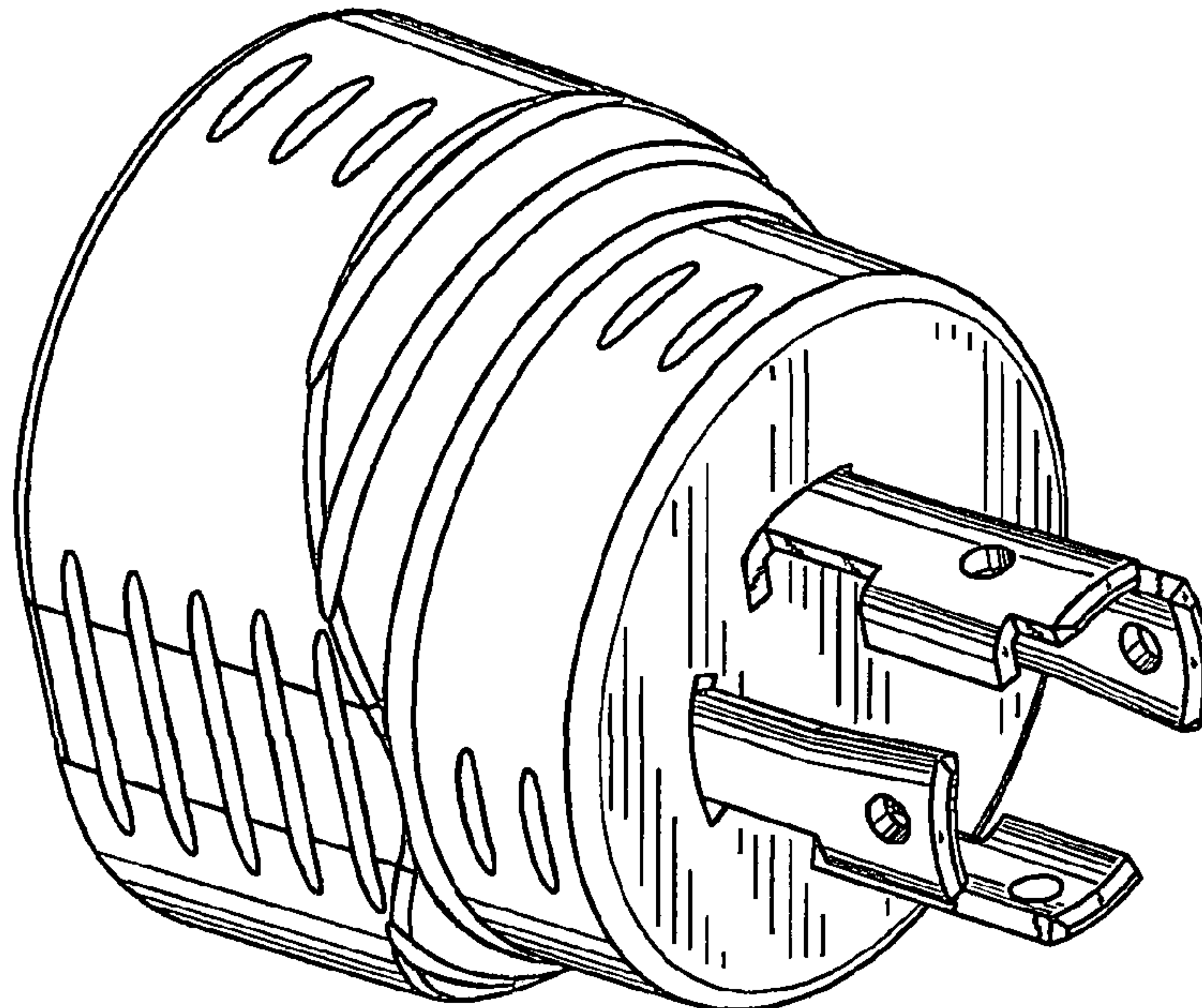
(57) **CLAIM**

The ornamental design for an electrical adapter, as shown and
described.

DESCRIPTION

FIG. 1 is a front, top left perspective view of an electrical
adapter according to the invention;
FIG. 2 is a back, bottom left perspective view of an electrical
adapter according to the invention;
FIG. 3 is a left elevational view thereof;
FIG. 4 is a right elevational view thereof;
FIG. 5 is a top plan view thereof; and,
FIG. 6 is a bottom plan view thereof; and,
FIG. 7 is a back plan view thereof; and,
FIG. 8 is a front plan view thereof.

1 Claim, 4 Drawing Sheets



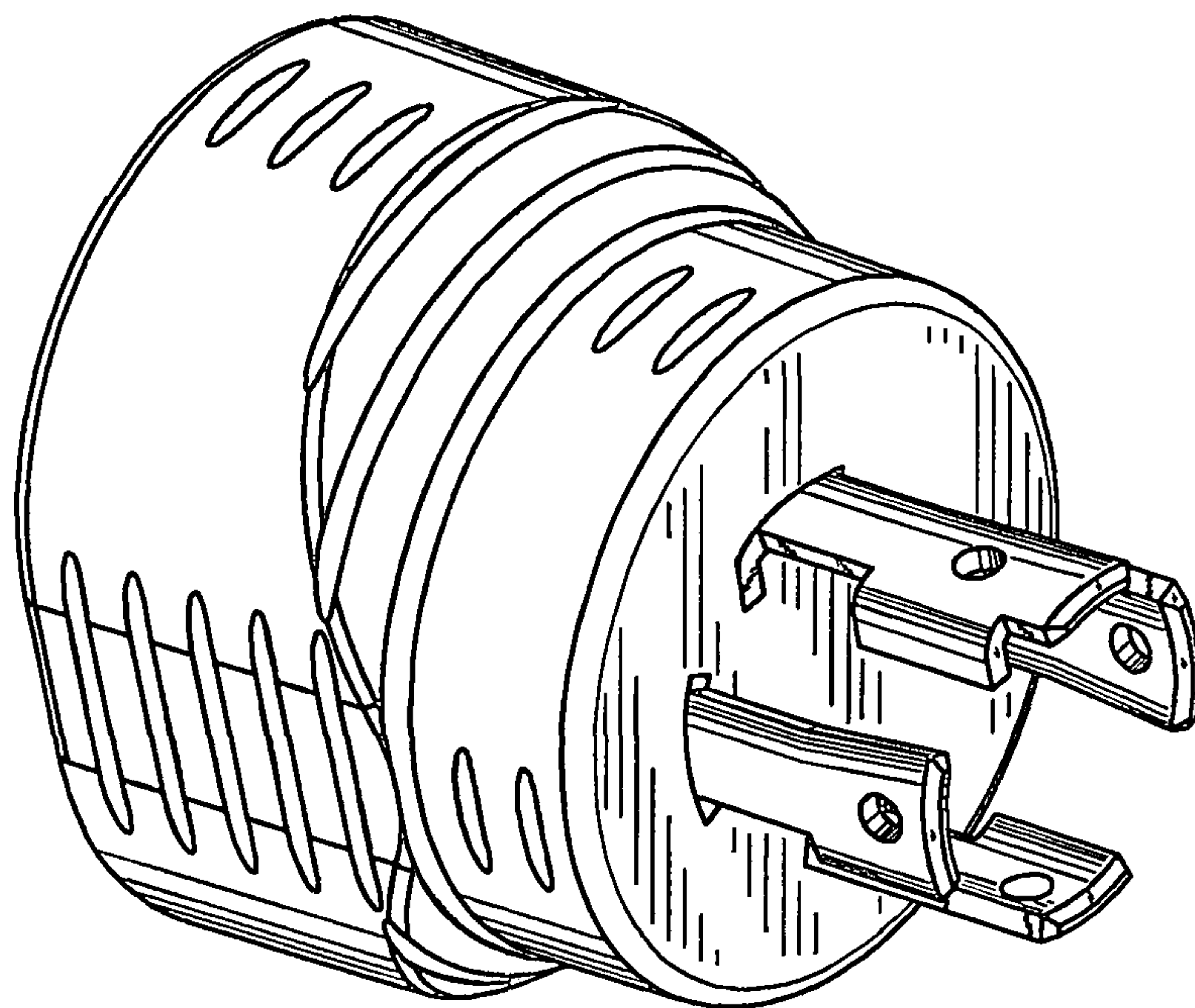


Fig. 1

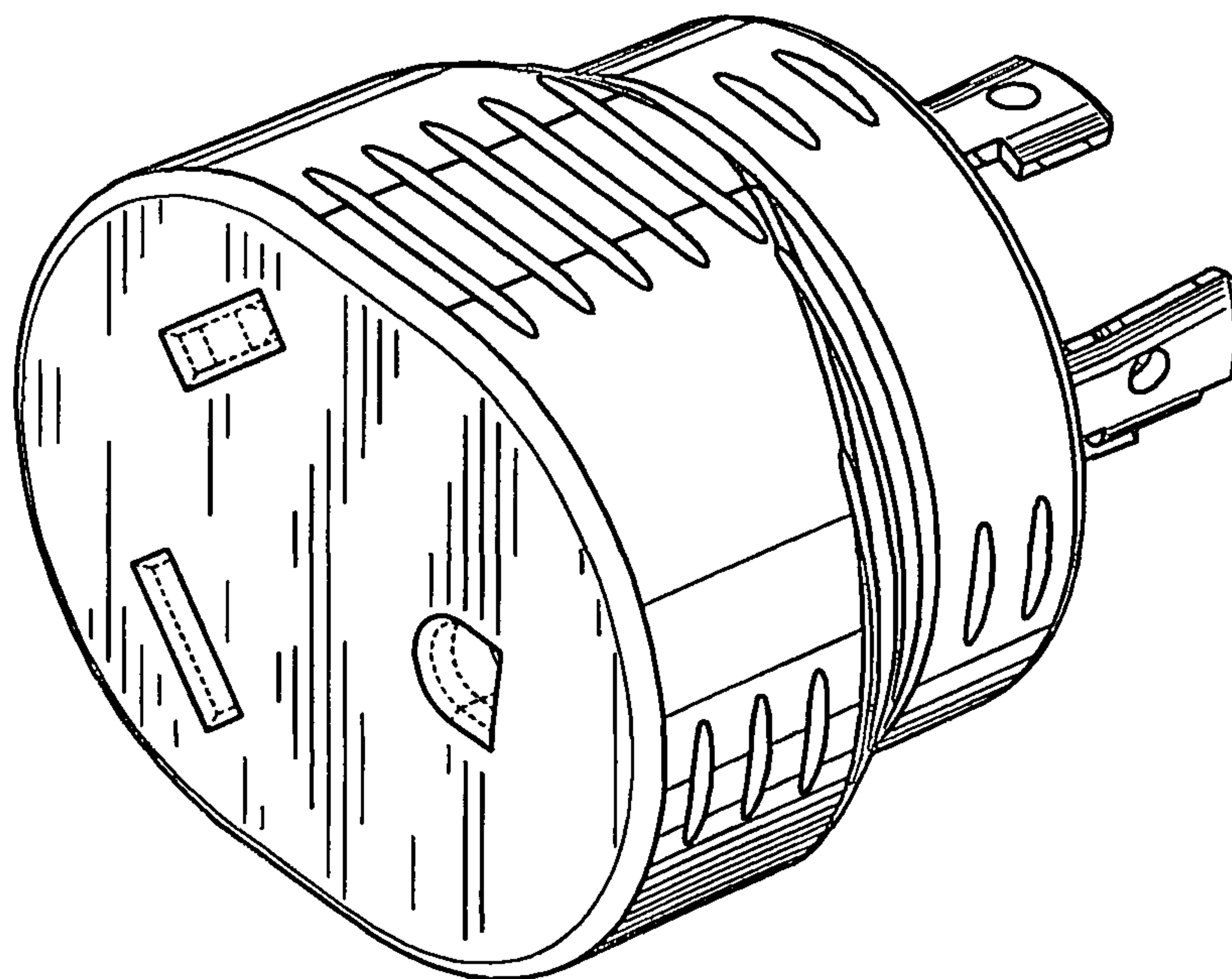


Fig. 2

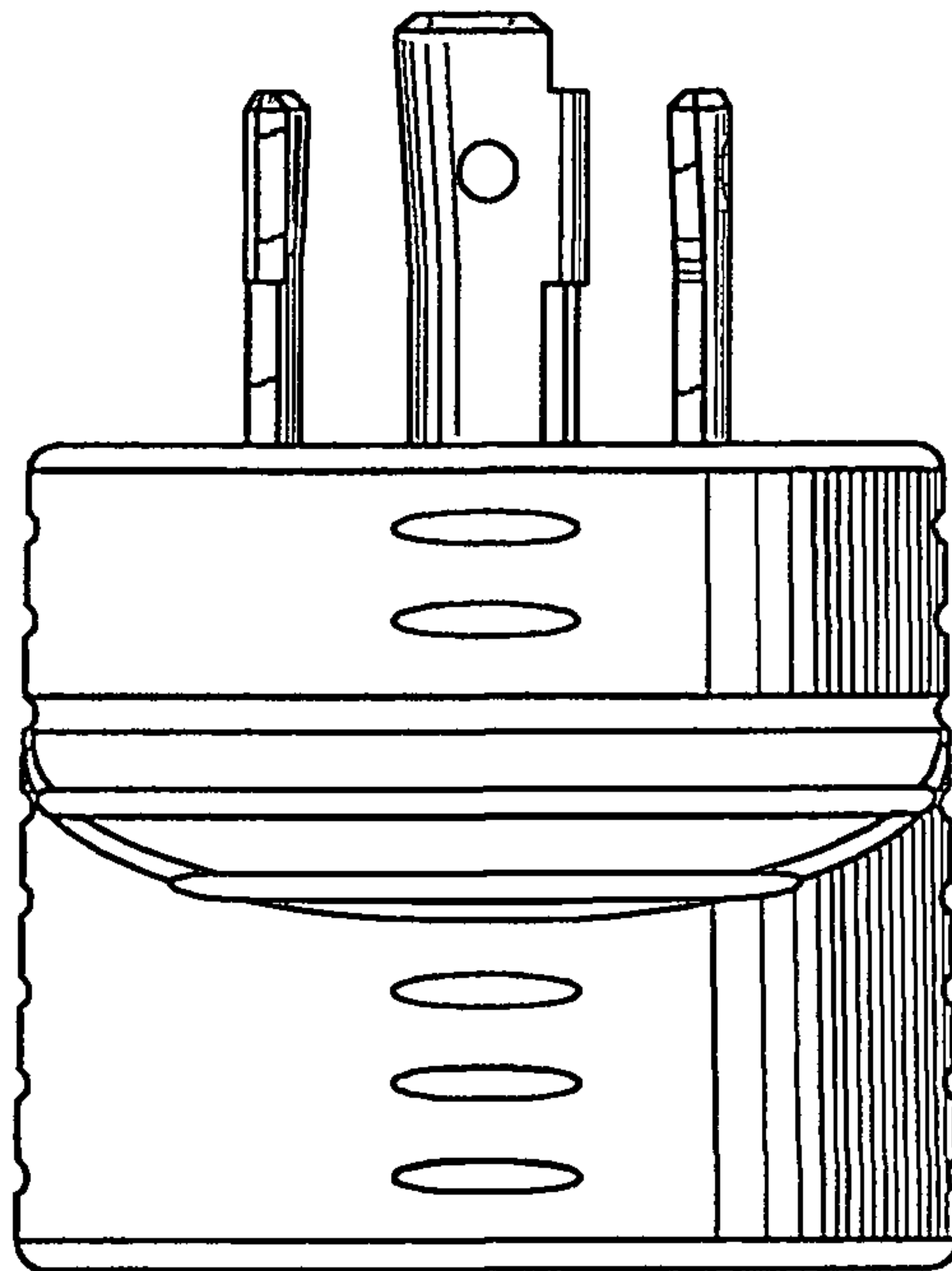


Fig. 3

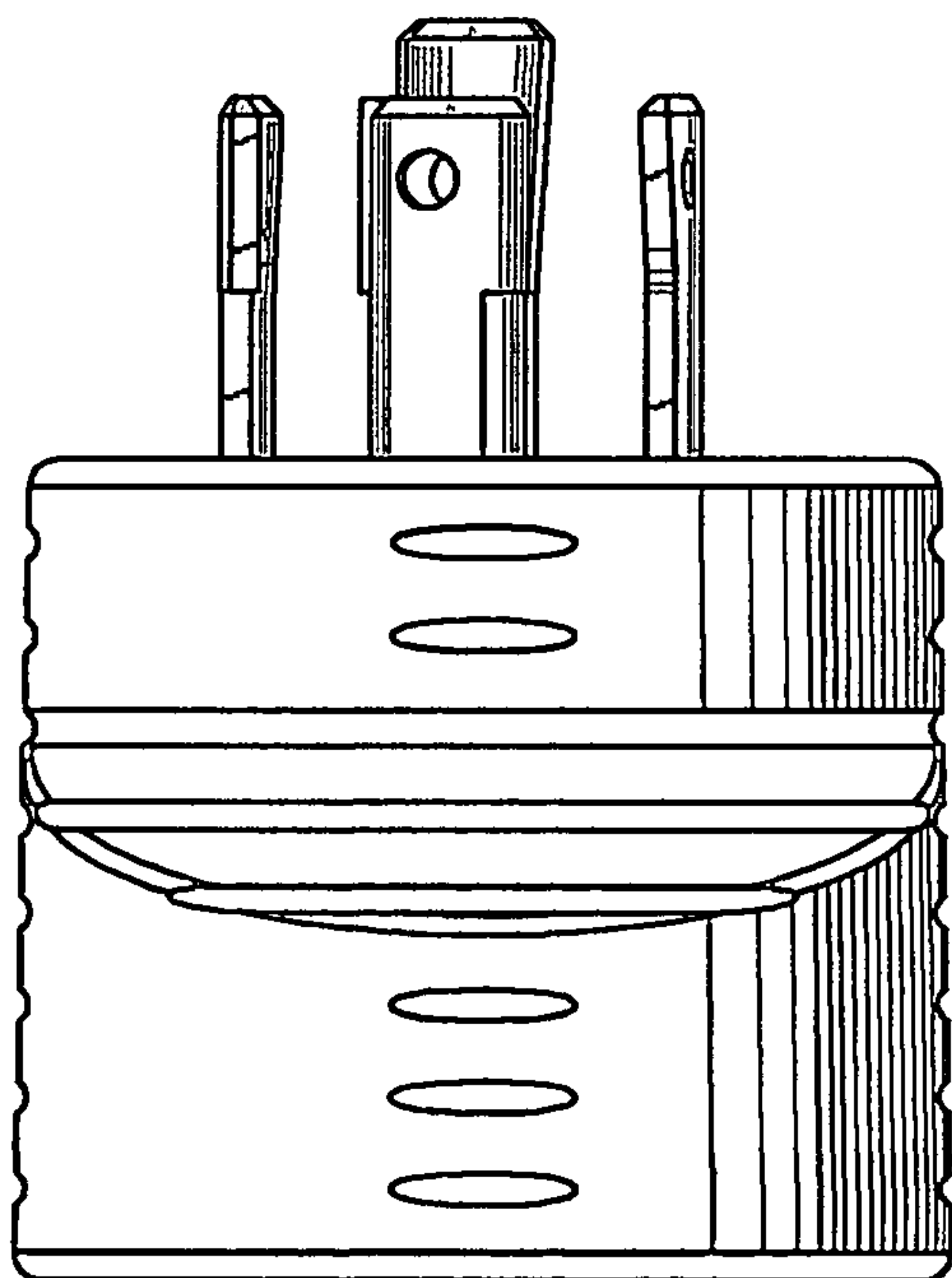


Fig. 4

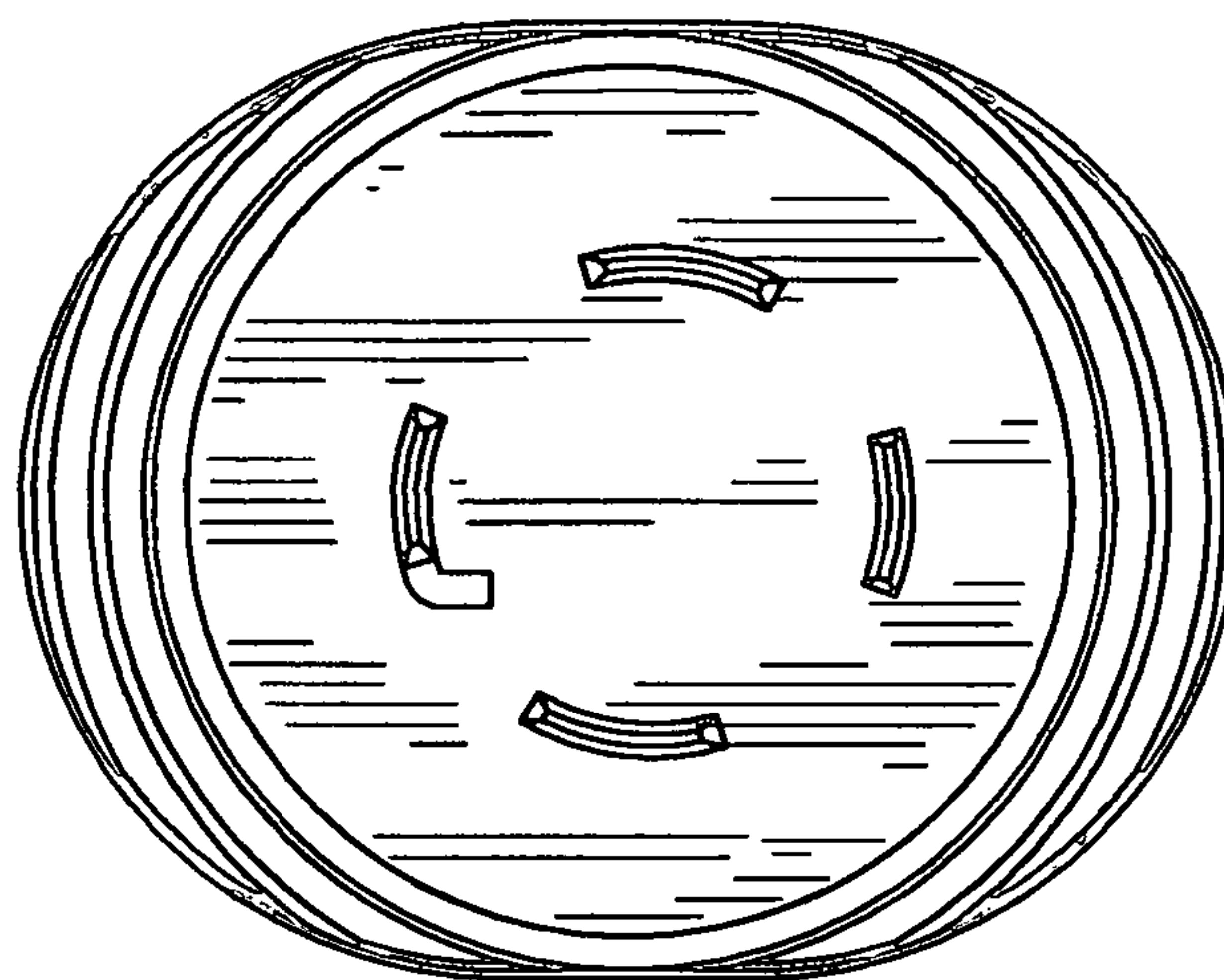


Fig. 5

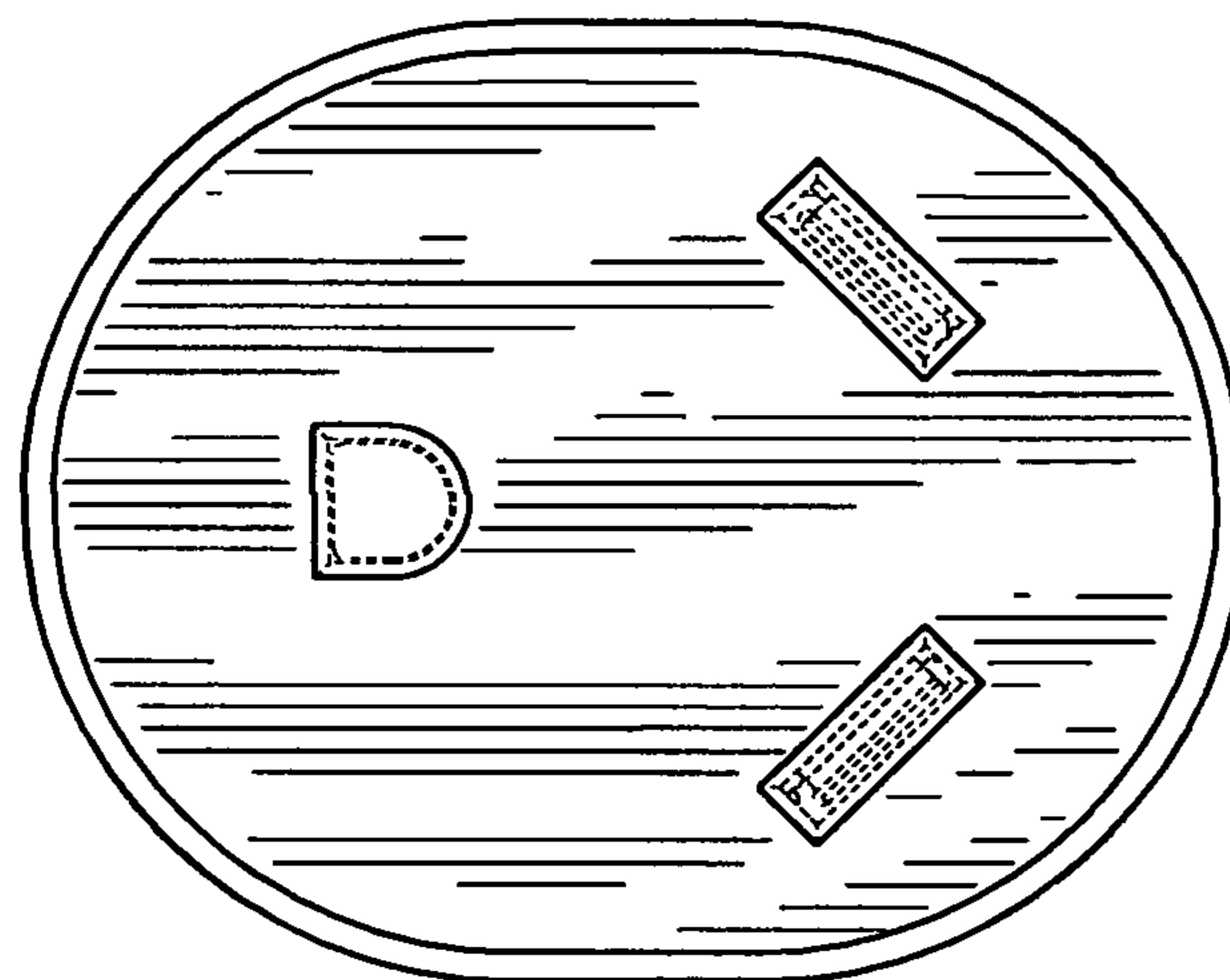


Fig. 6

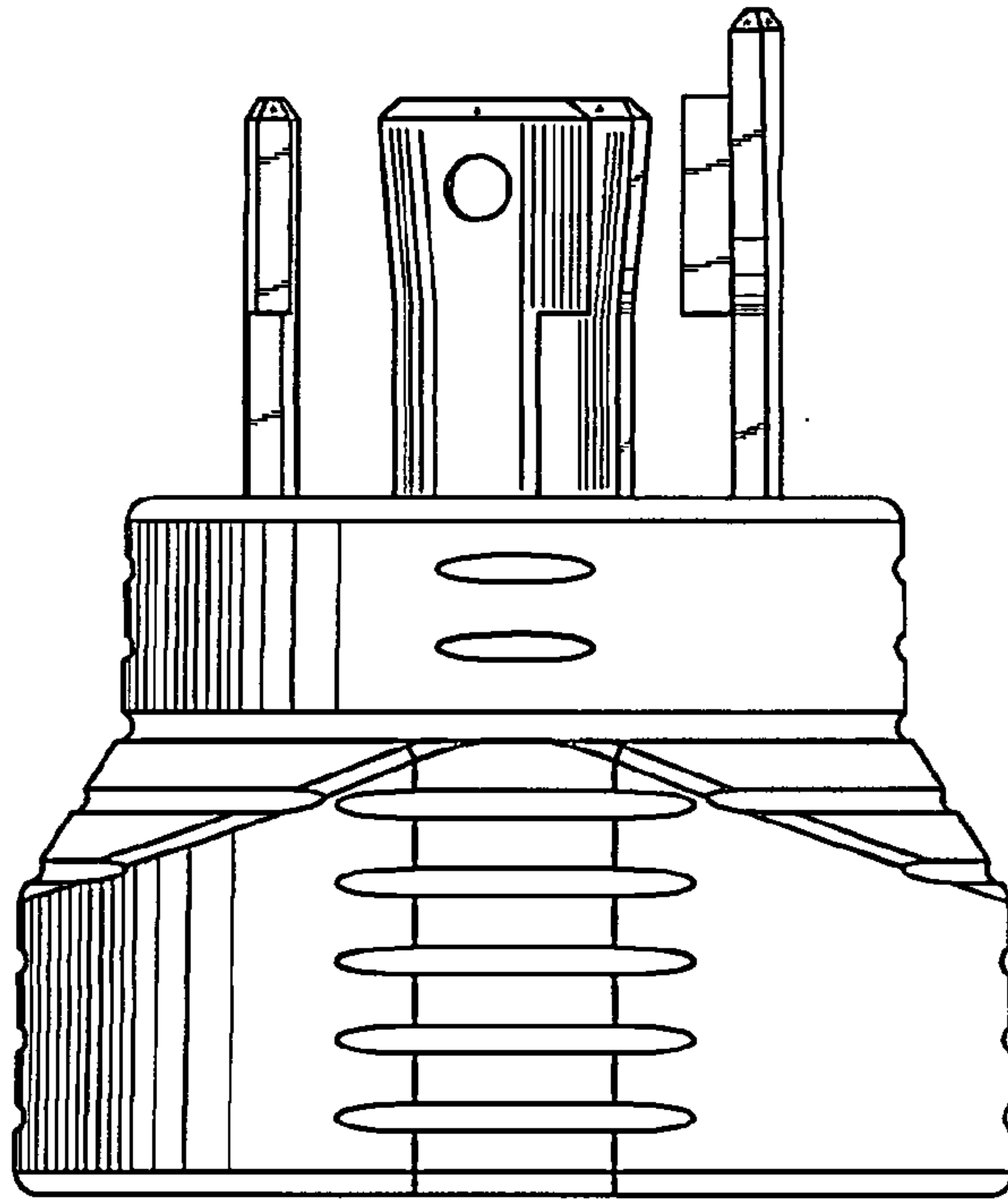


Fig. 7

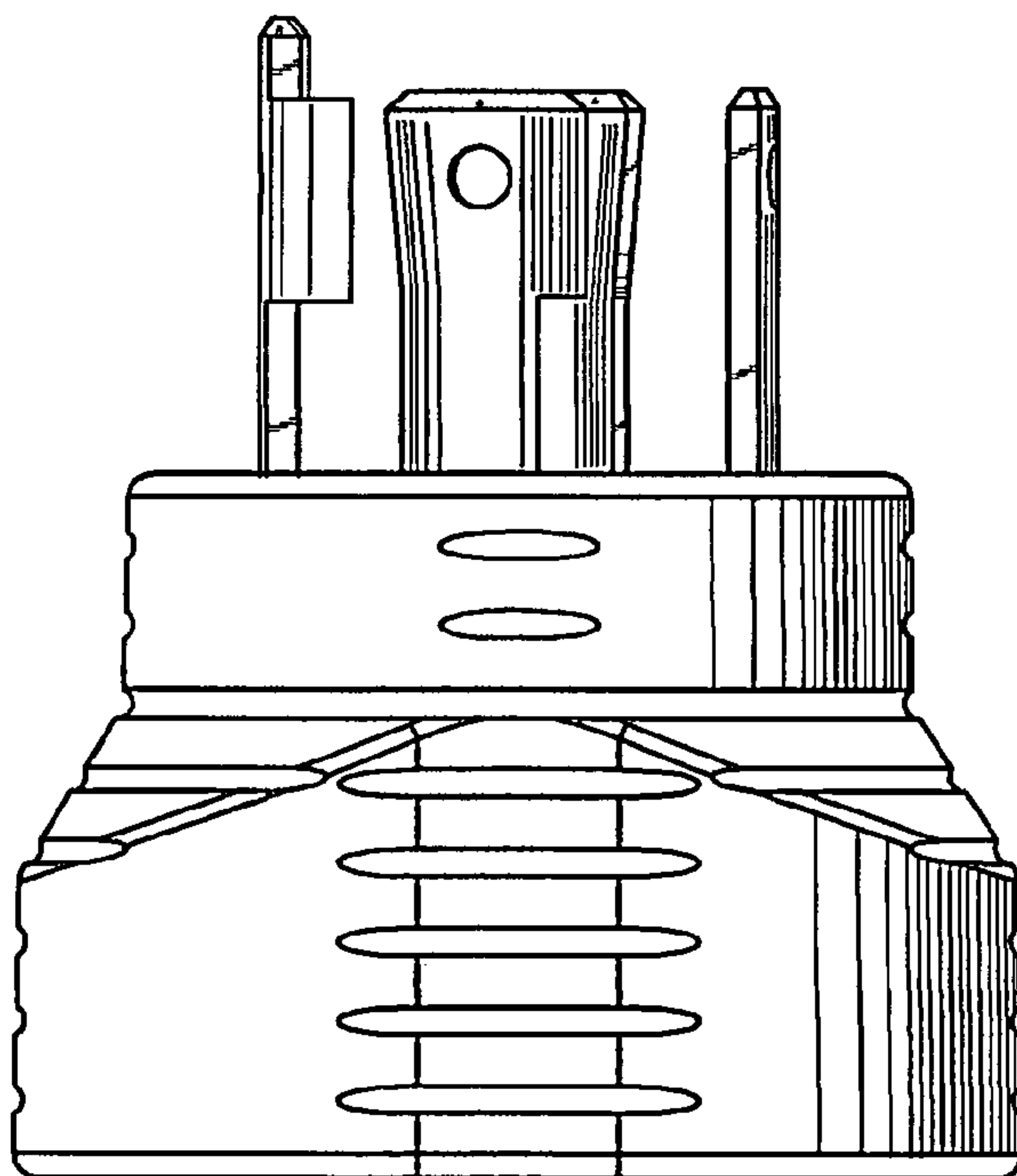


Fig. 8