



US00D700140S

(12) **United States Design Patent**
Loya

(10) **Patent No.:** **US D700,140 S**
(45) **Date of Patent:** **** Feb. 25, 2014**

(54) **PLUG-IN, ENERGY SAVING, ELECTRICAL CAPACITANCE DEVICE**

(75) Inventor: **Rami Loya**, Potomac, MD (US)

(73) Assignee: **Rami Loya**, Rockville, MD (US)

(**) Term: **14 Years**

(21) Appl. No.: **29/425,138**

(22) Filed: **Jun. 20, 2012**

(51) **LOC (10) Cl.** **13-02**

(52) **U.S. Cl.**
USPC **D13/110**

(58) **Field of Classification Search**
USPC D13/101.103, 110, 133, 137.1, 137.2, D13/137.3, 137.4, 138.1, 138.2, 139.1, D13/139.2, 139.6, 139.8, 154, 158, 184, D13/199; 439/166, 170, 171, 172, 173, 174, 439/175, 218, 300, 373, 518, 645-646, 439/956; 174/53-58; D14/432, 433
See application file for complete search history.

(56) **References Cited**

U.S. PATENT DOCUMENTS

D381,624 S * 7/1997 Muller et al. D13/110
D432,990 S * 10/2000 Stekelenburg D13/137.3
D434,370 S * 11/2000 Sun et al. D13/107

D446,185 S * 8/2001 Saastamoinen et al. D13/108
D520,451 S * 5/2006 Stekelenburg D13/137.3
D575,775 S * 8/2008 Sekine D14/242
D579,881 S * 11/2008 Aromin D13/160
D584,690 S * 1/2009 Hsiung D13/138.1
D633,869 S * 3/2011 Aromin et al. D13/138.1
D635,515 S * 4/2011 Atwell et al. D13/138.2

* cited by examiner

Primary Examiner — Derrick Holland

Assistant Examiner — Lauren Calve

(74) *Attorney, Agent, or Firm* — Oliver & Grimsley, LLC; Larry J. Guffey, Esq.

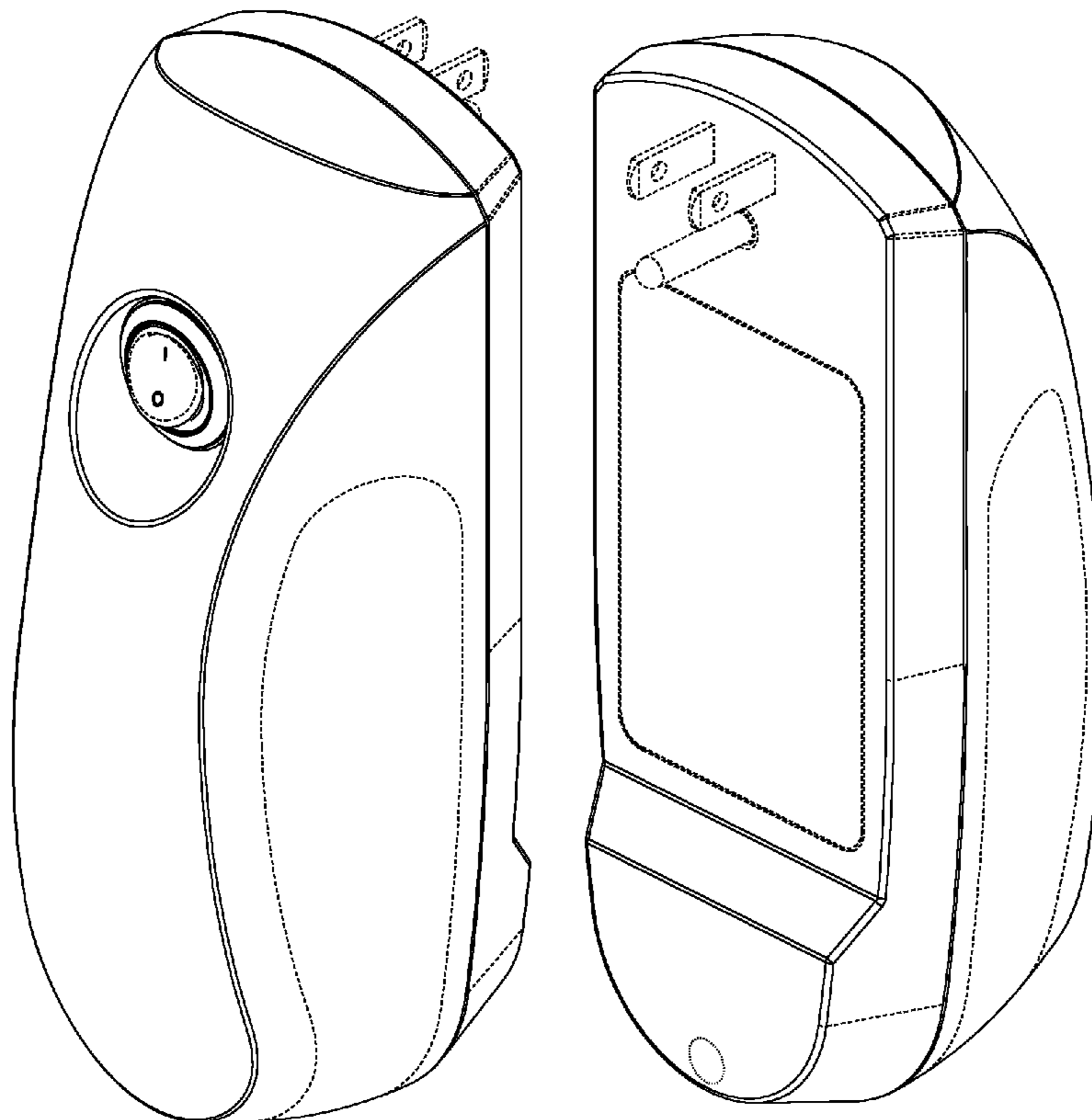
(57) **CLAIM**

I claim the ornamental design for a plug-in, energy saving, electrical capacitance device, as shown and described.

DESCRIPTION

FIG. 1 is a front view of a plug-in, energy saving, electrical capacitance device of the present invention; FIG. 2 is a top view thereof; FIG. 3 is a right side view thereof; FIG. 4 is a bottom view thereof; FIG. 5 is a rear view thereof; FIG. 6 is a left side view thereof; FIG. 7 is a top, perspective view thereof; and, FIG. 8 is a bottom, perspective view thereof. The broken line showing in FIGS. 1-8 represents unclaimed subject matter and forms no part of the claimed design.

1 Claim, 3 Drawing Sheets



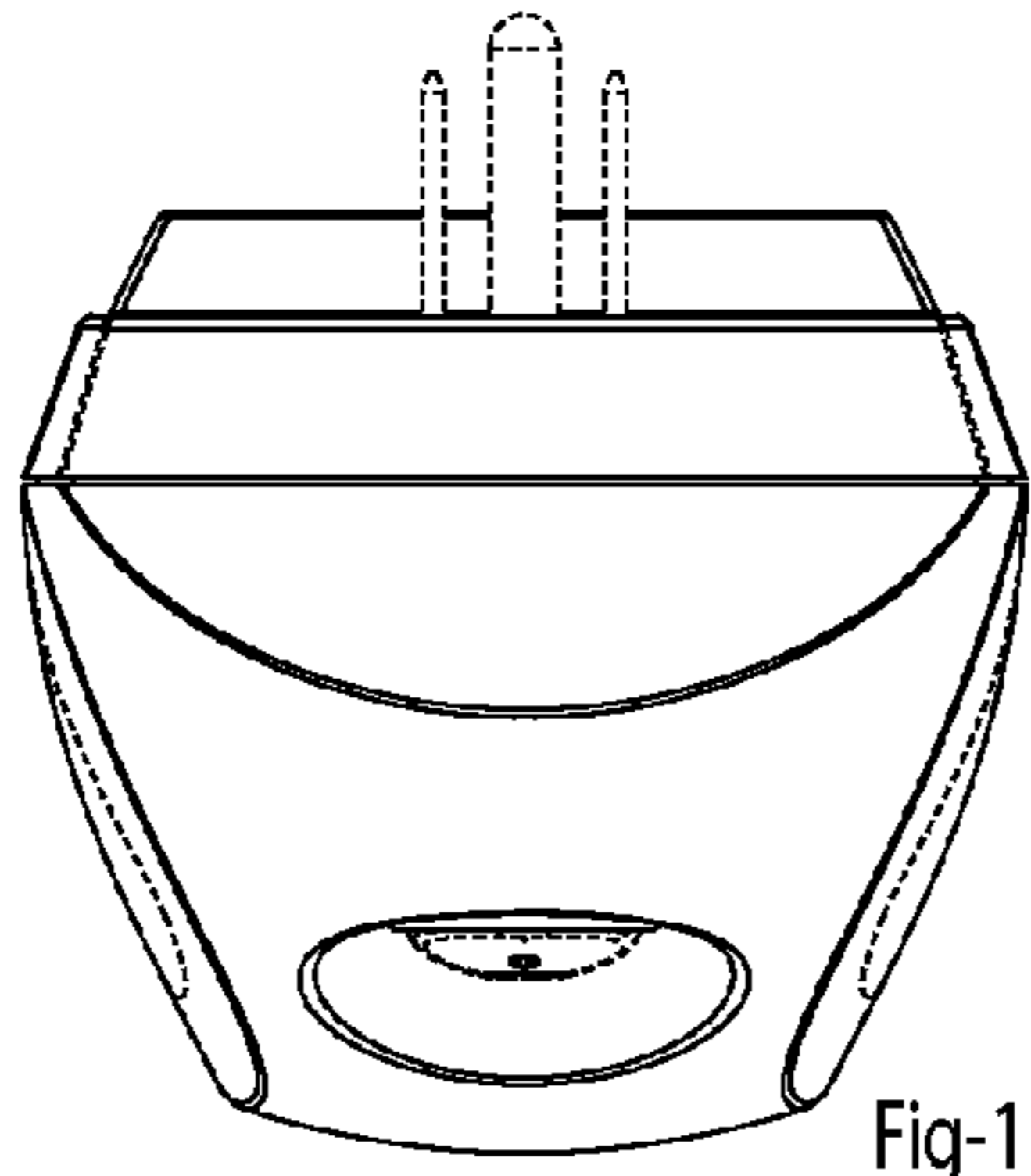


Fig-1

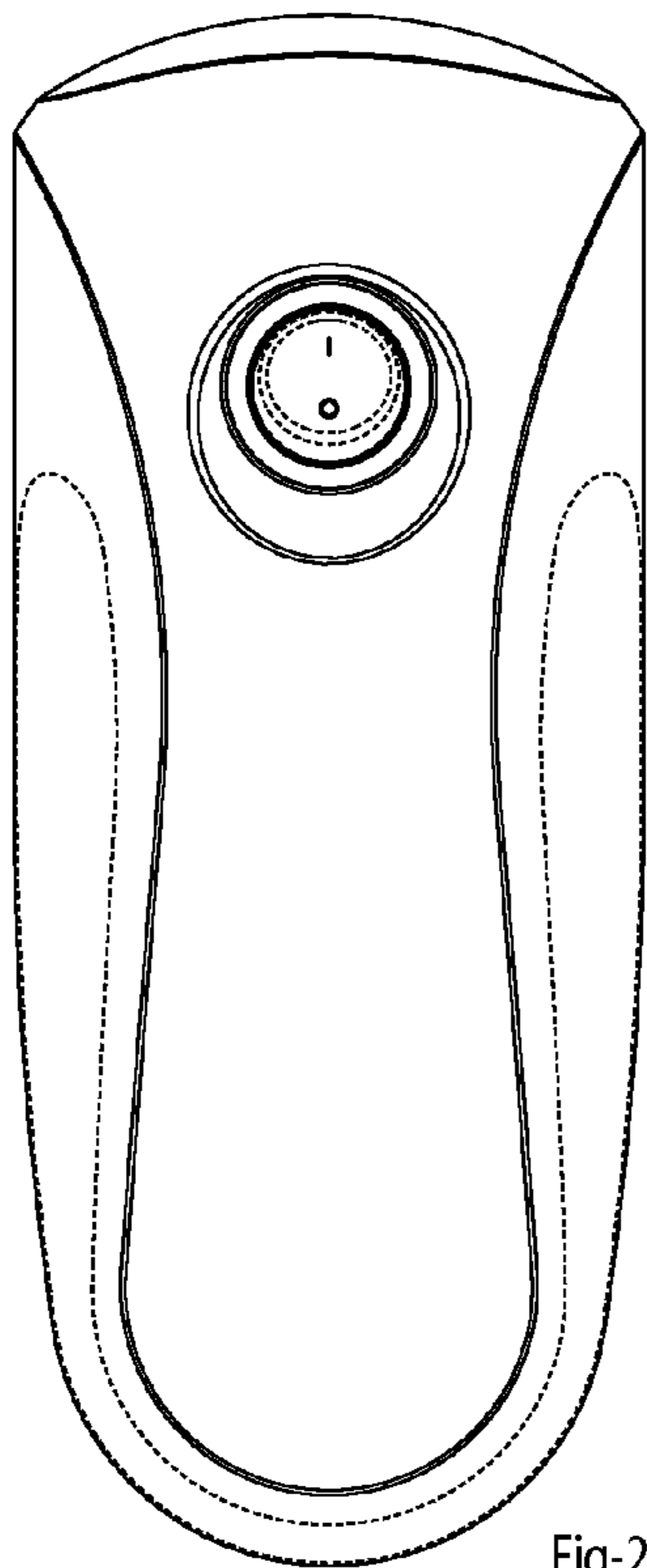


Fig-2

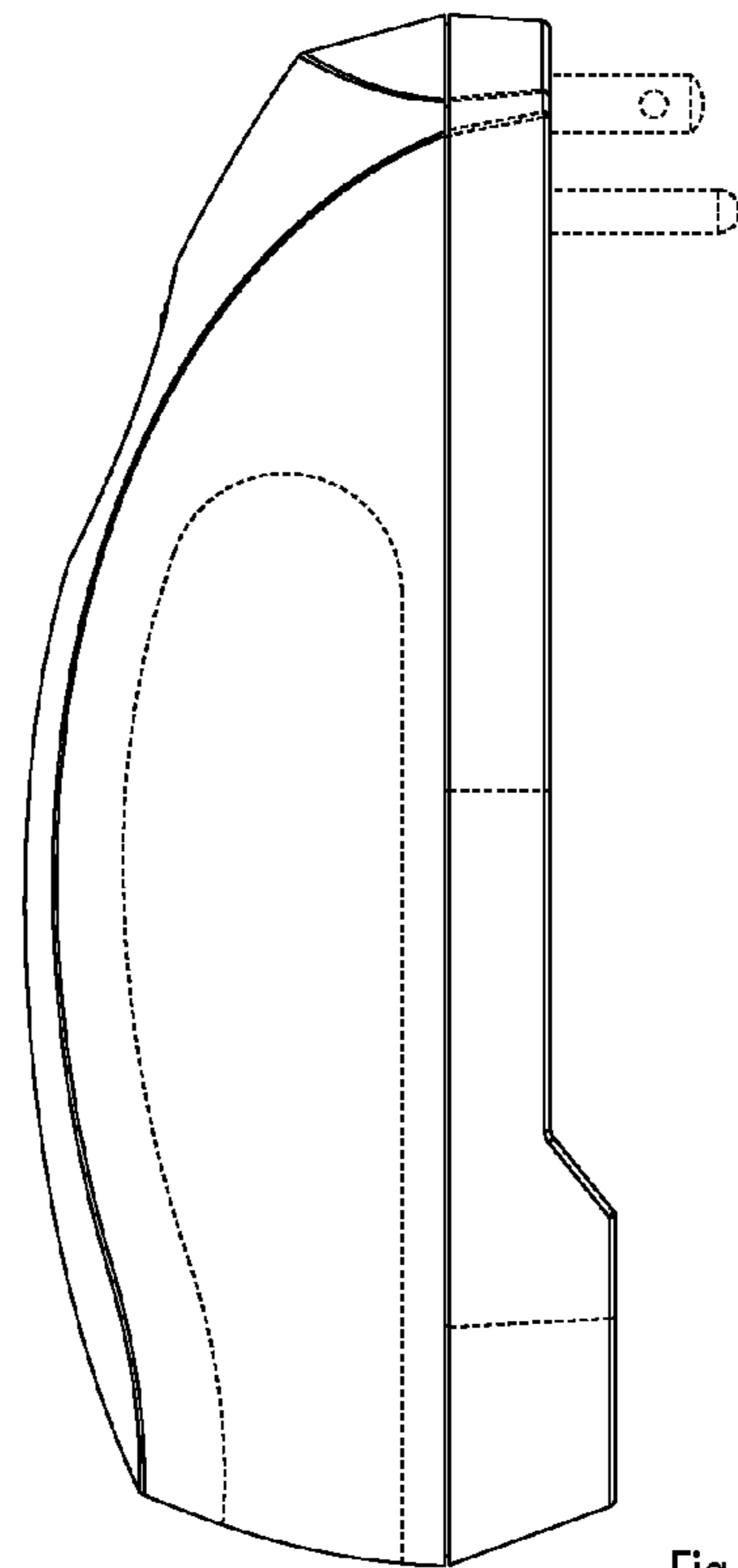


Fig-3

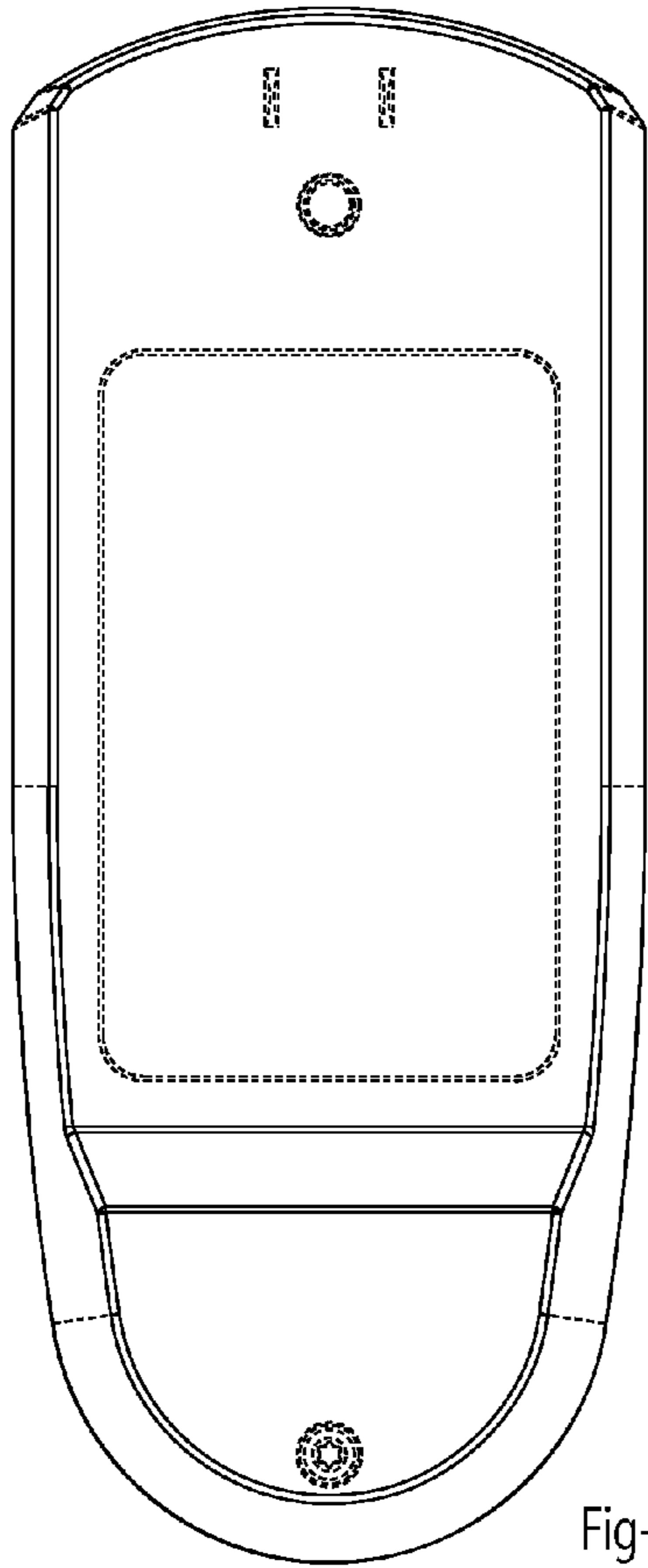


Fig-4

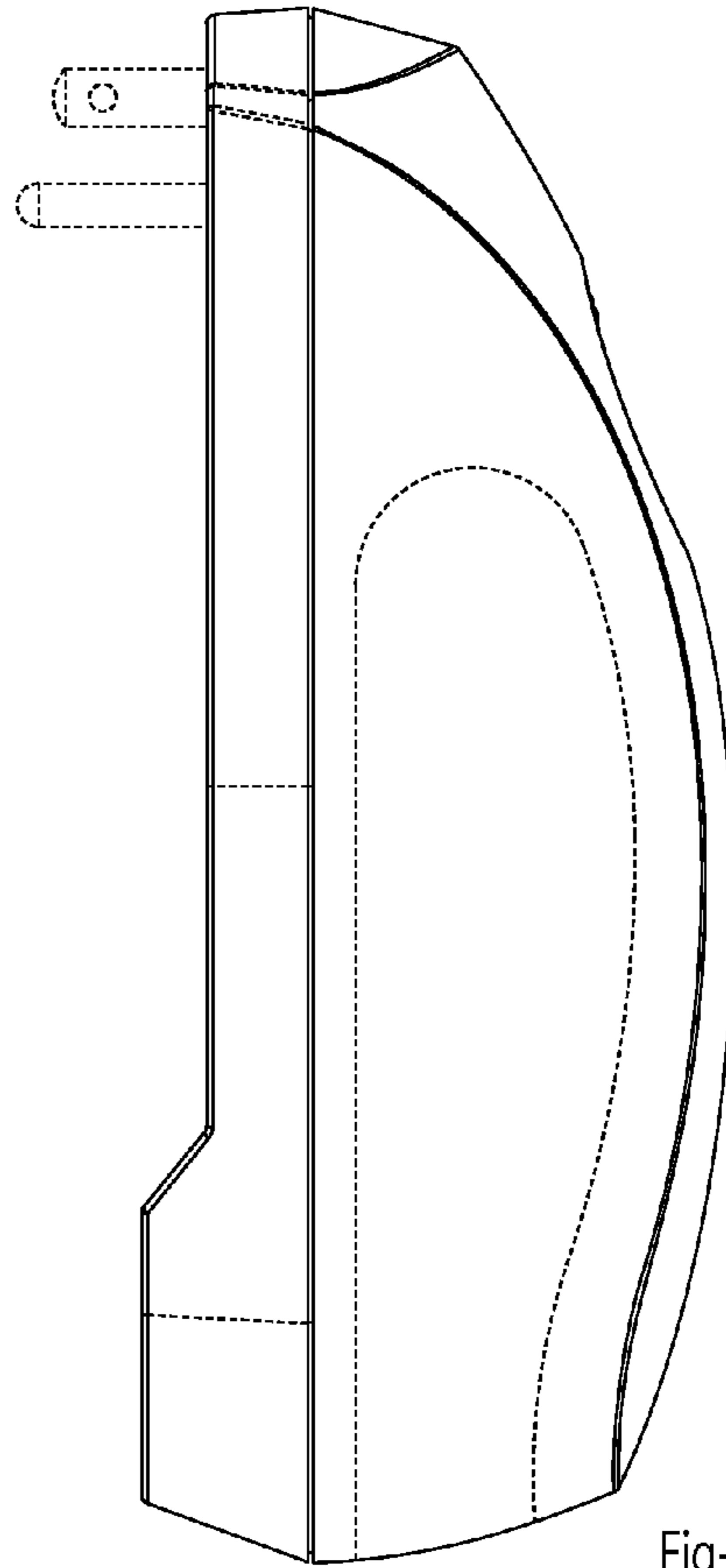


Fig-6

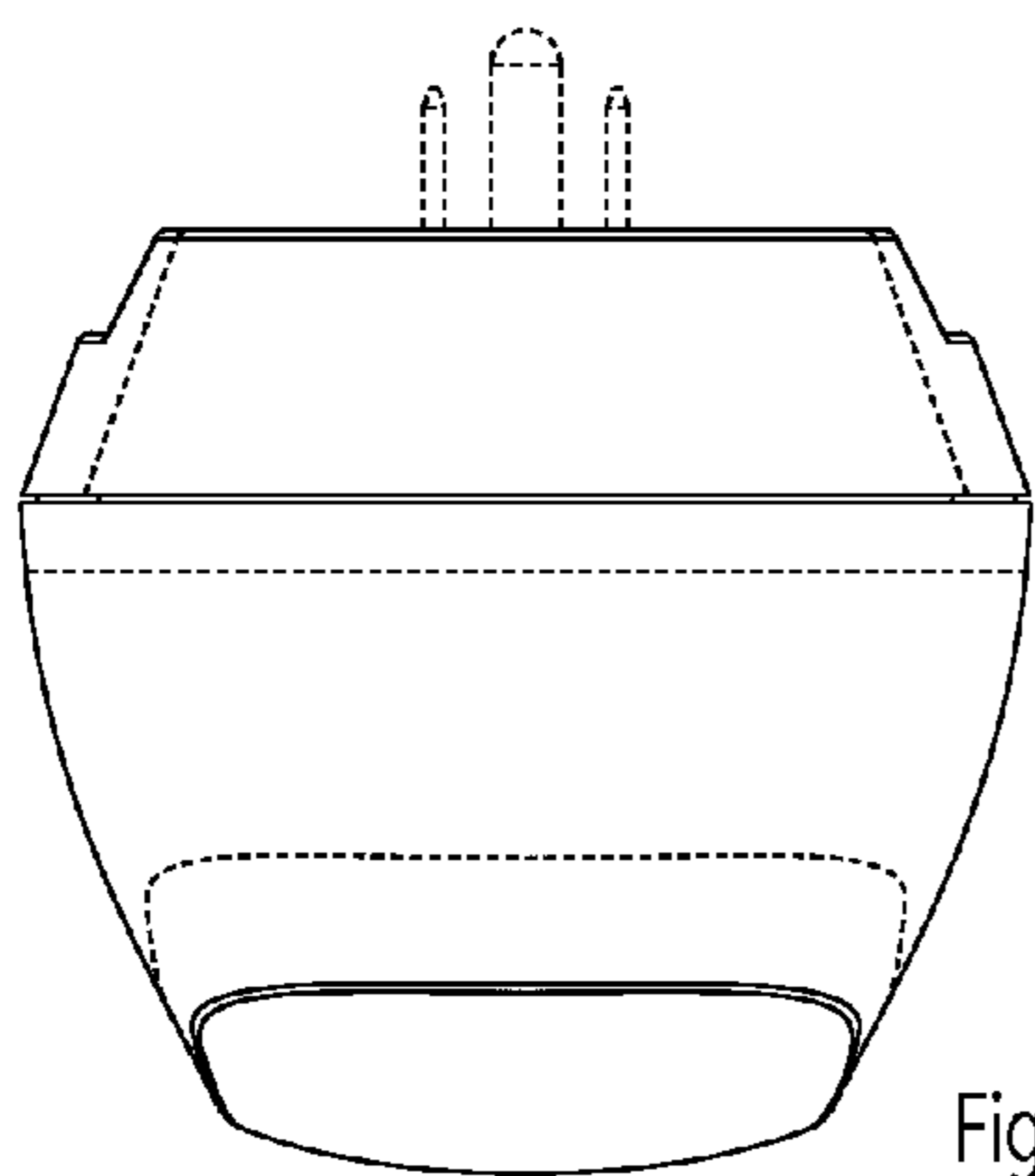


Fig-5

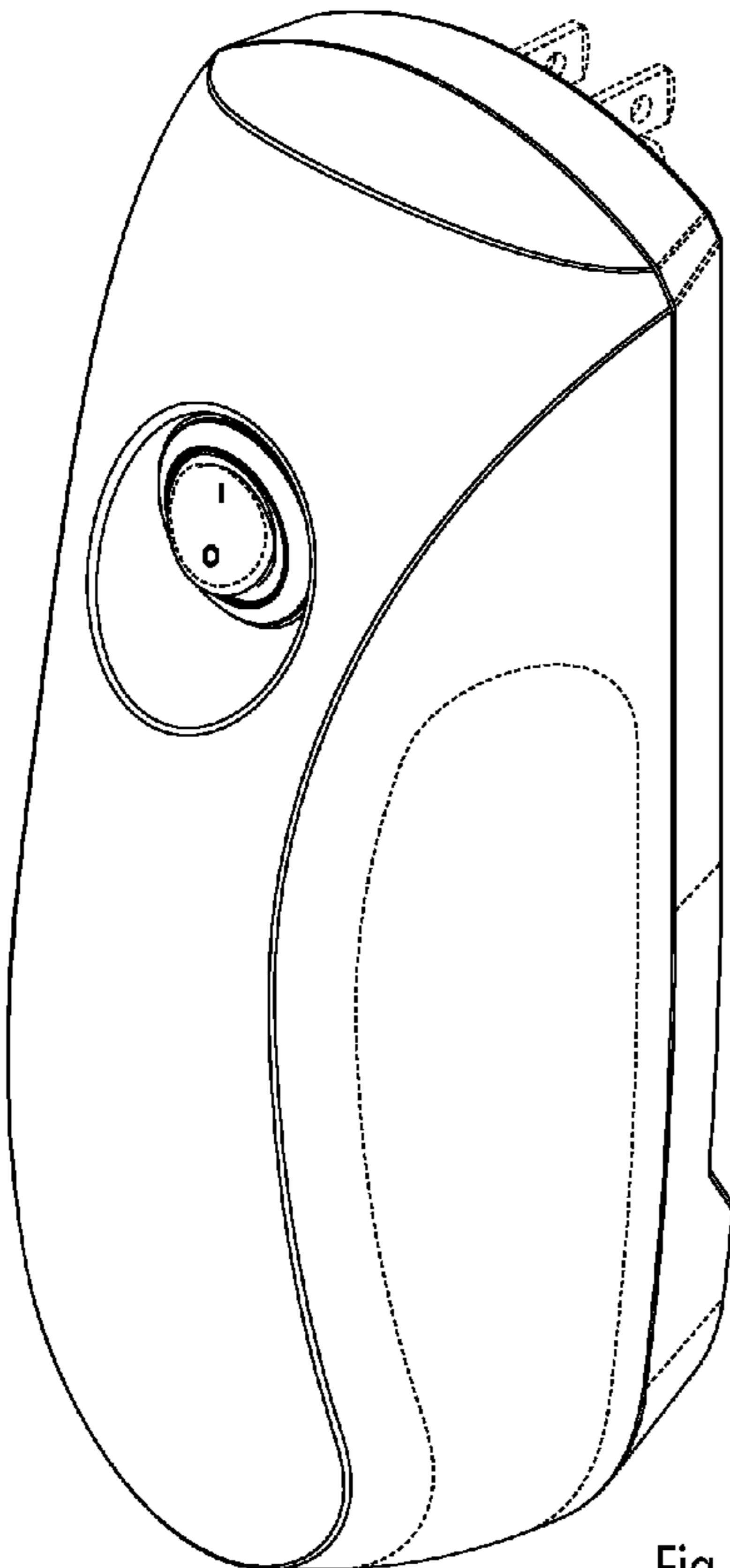


Fig-7

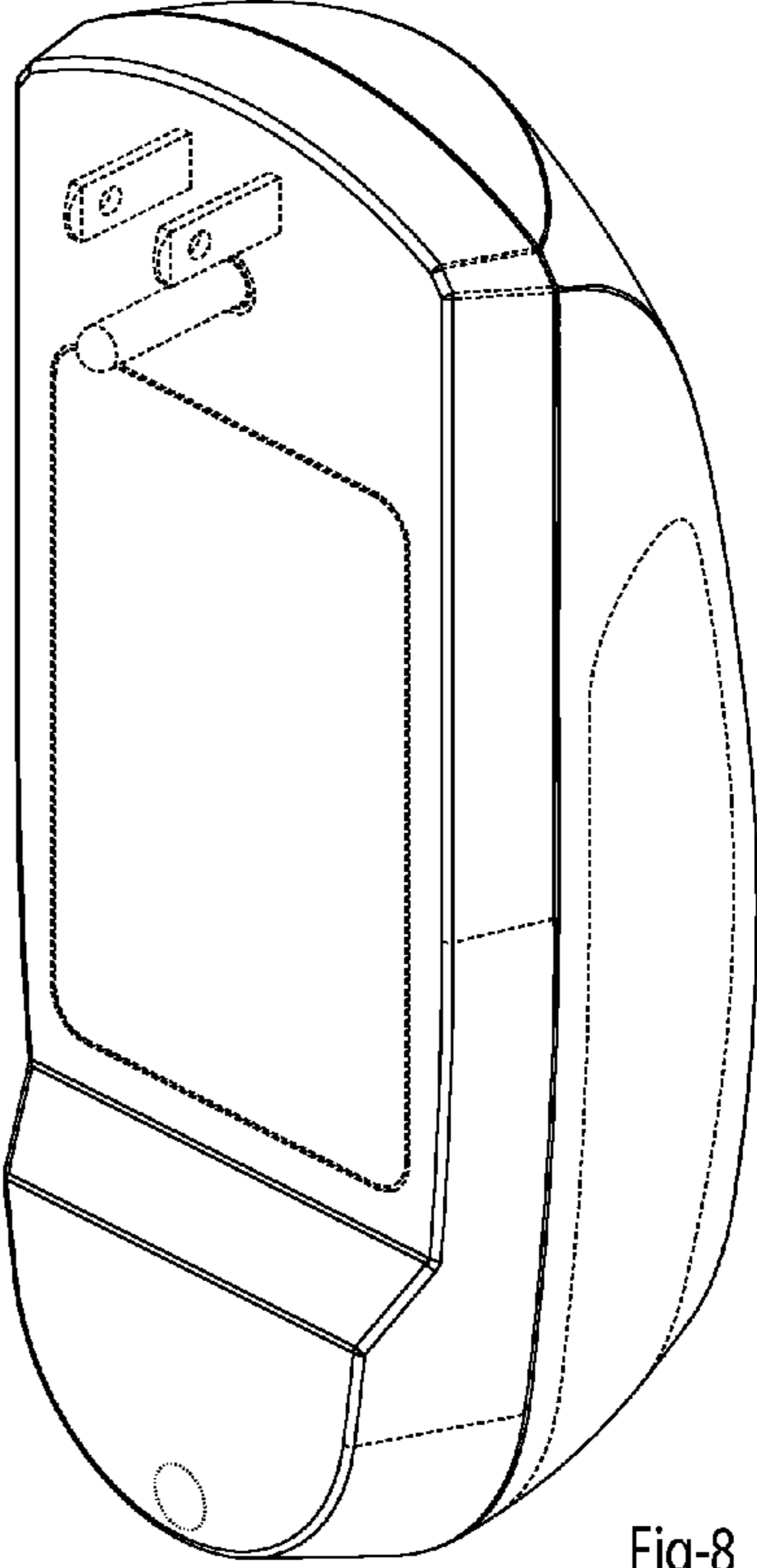


Fig-8