



US00D700138S

(12) **United States Design Patent**
Walz et al.

(10) **Patent No.:** **US D700,138 S**
(45) **Date of Patent:** **** Feb. 25, 2014**

- (54) **BATTERY PACK**
- (71) Applicant: **Panacis Inc.**, Ottawa (CA)
- (72) Inventors: **James Walz**, Ottawa (CA); **Steve Carkner**, Ottawa (CA); **Stephane Lebel**, St-Redempteur (CA)
- (73) Assignee: **Panacis Inc.**, Ottawa, CA (US)
- (**) Term: **14 Years**
- (21) Appl. No.: **29/457,818**
- (22) Filed: **Jun. 13, 2013**
- (51) **LOC (10) Cl.** **13-02**
- (52) **U.S. Cl.**
USPC **D13/103**
- (58) **Field of Classification Search**
USPC D13/102-108, 110, 118-121, 184, 199;
429/96-100, 163, 176
See application file for complete search history.

D335,277 S *	5/1993	Hattori	D13/103
D435,827 S *	1/2001	Rausch et al.	D13/103
D476,618 S *	7/2003	Wong et al.	D13/103
D546,277 S *	7/2007	Andre et al.	D13/103
D583,756 S *	12/2008	Walsh et al.	D13/103
D597,482 S *	8/2009	Kondo et al.	D13/103
D621,860 S *	8/2010	Fukano et al.	D15/143
D635,507 S *	4/2011	Ueda et al.	D13/103
D640,629 S *	6/2011	Levitt	D13/103
D682,195 S *	5/2013	Aglassinger	D13/103

* cited by examiner

Primary Examiner — Rosemary K Tarcza
(74) *Attorney, Agent, or Firm* — Timothy D. Bennett;
Emerson Thomson Bennett LLC

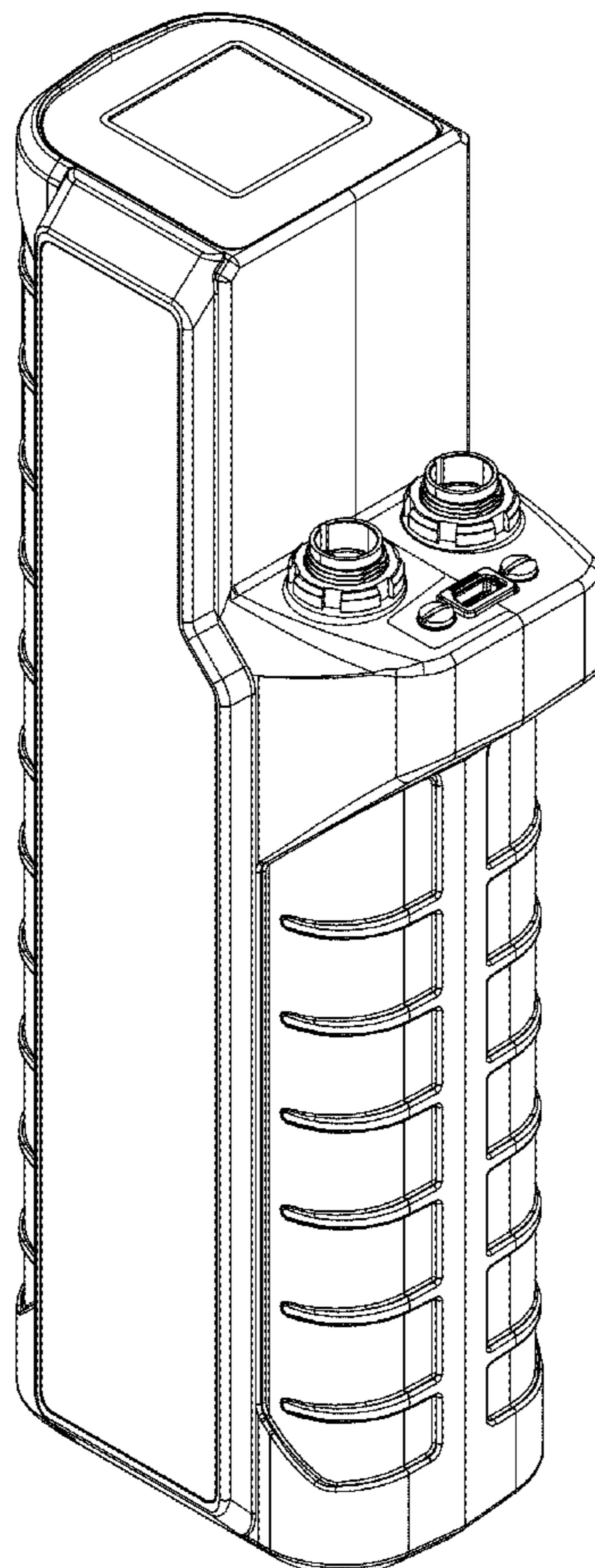
(57) **CLAIM**
The ornamental design for a battery pack, as shown and described.

DESCRIPTION

FIG. 1 is an isometric view of a battery pack.
FIG. 2 is a left side elevation view of a battery pack.
FIG. 3 is a rear elevation view of a battery pack.
FIG. 4 is a right side elevation view of a battery pack.
FIG. 5 is a front elevation view of a battery pack.
FIG. 6 is top view of a battery pack; and,
FIG. 7 is a bottom view of a battery pack.

1 Claim, 6 Drawing Sheets

- (56) **References Cited**
U.S. PATENT DOCUMENTS
D323,642 S * 2/1992 Liao D13/119
D328,888 S * 8/1992 Zhu D13/103



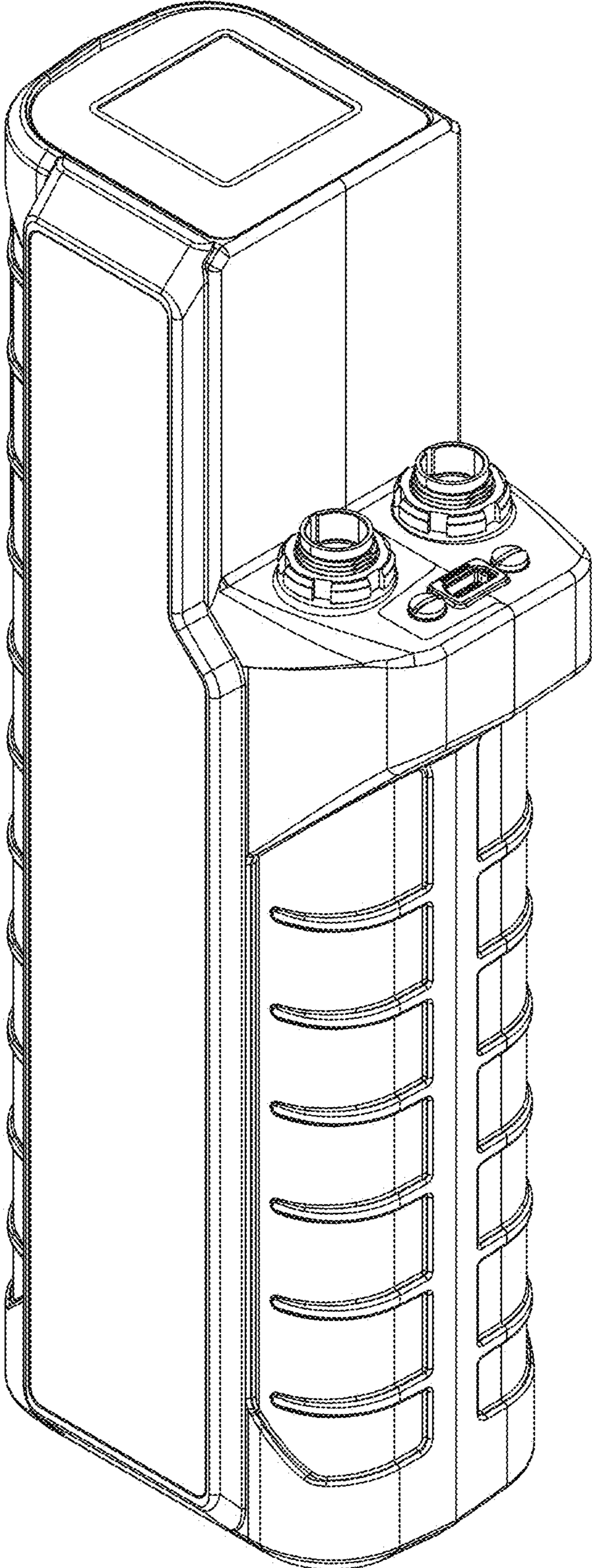


Fig. 1

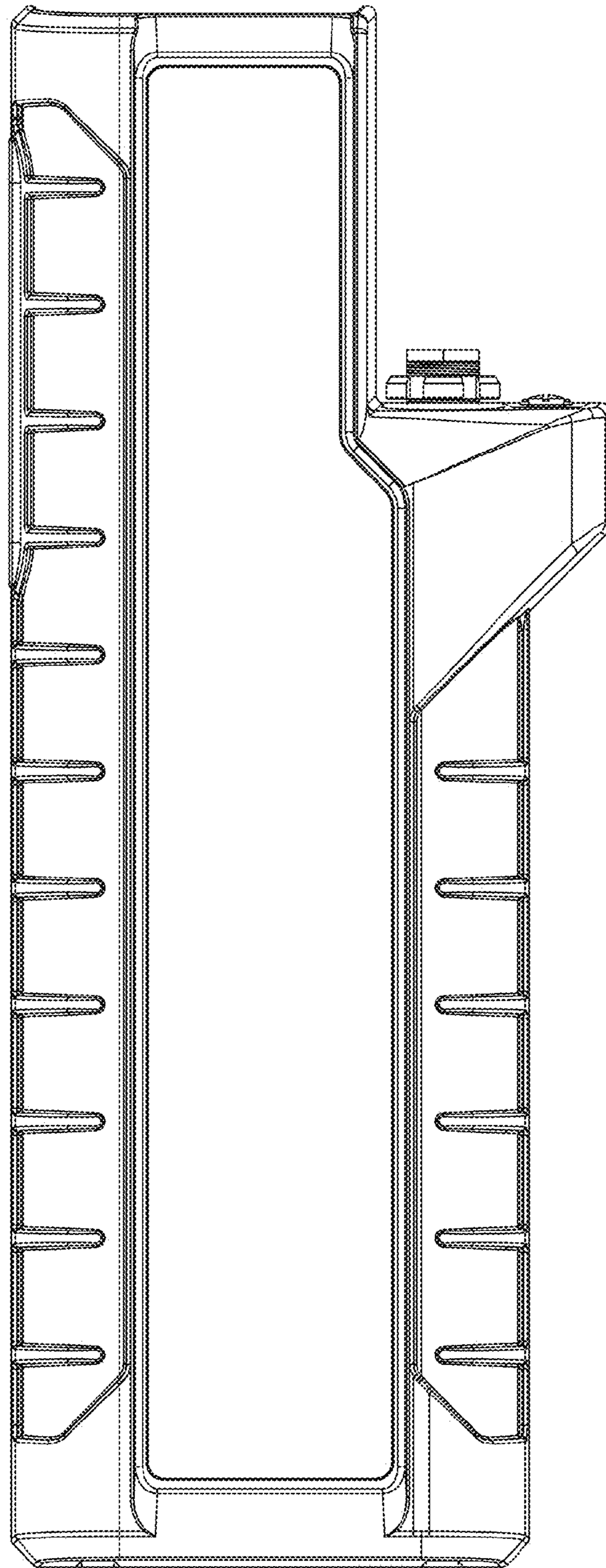


Fig. 2

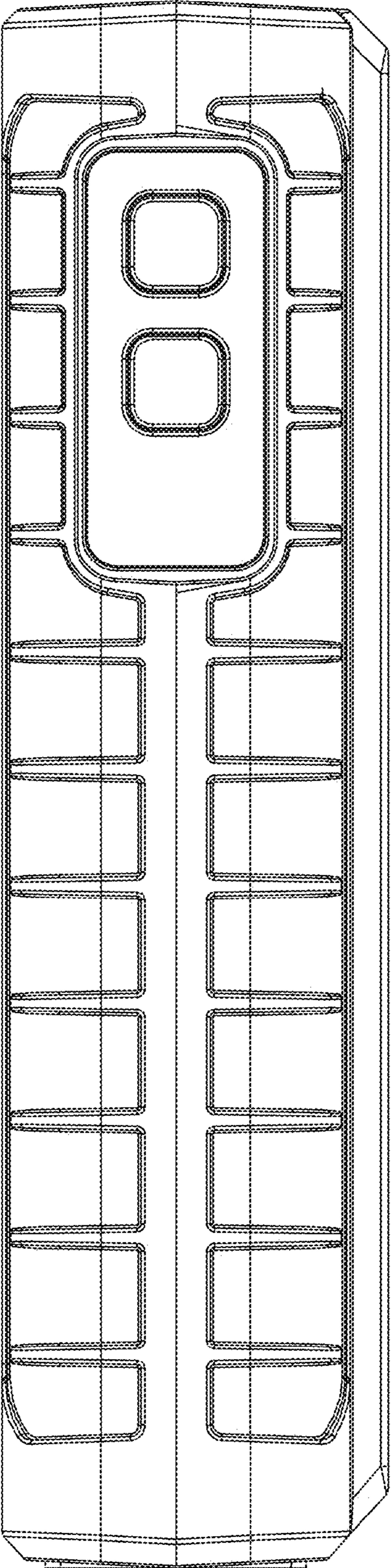


Fig. 3

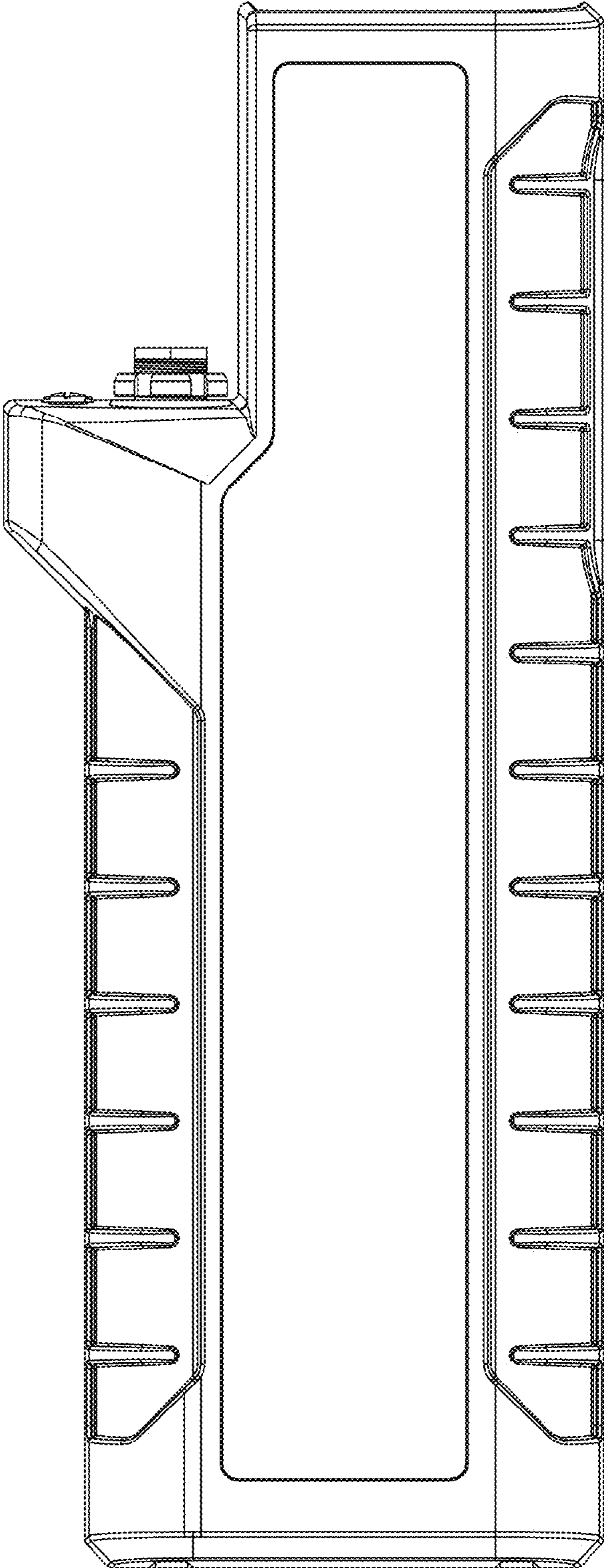


Fig. 4

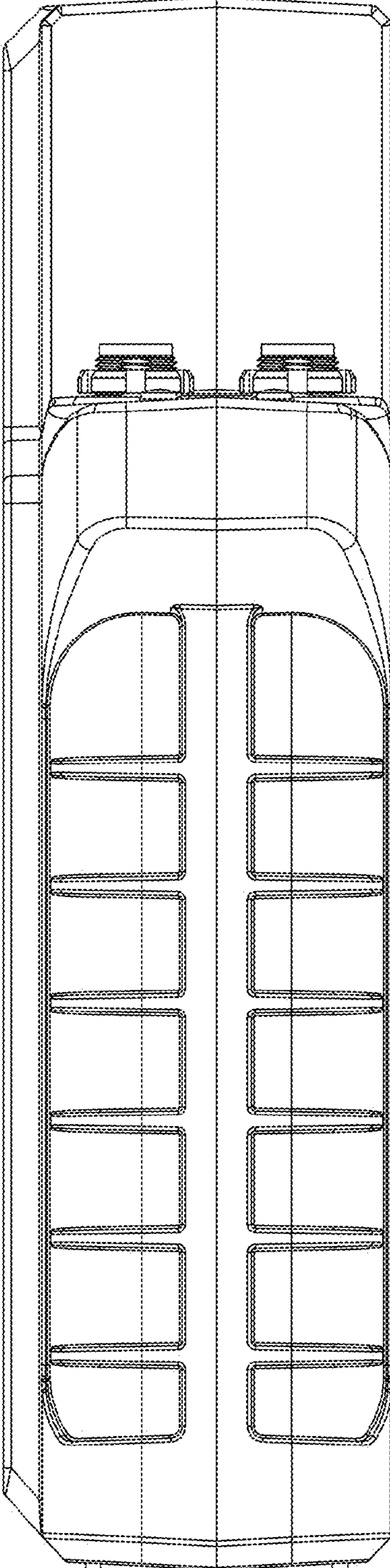


Fig. 5

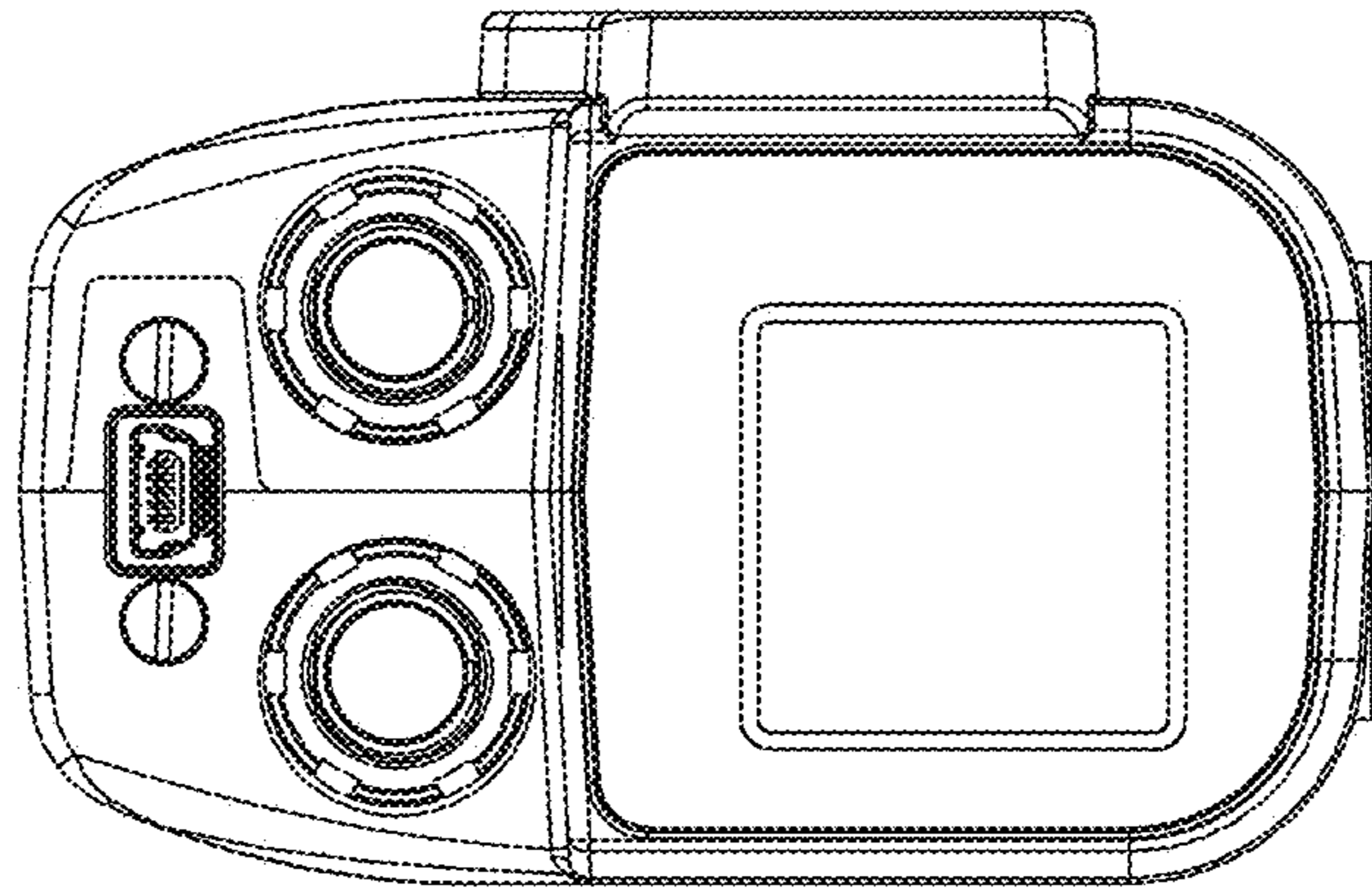


Fig. 6

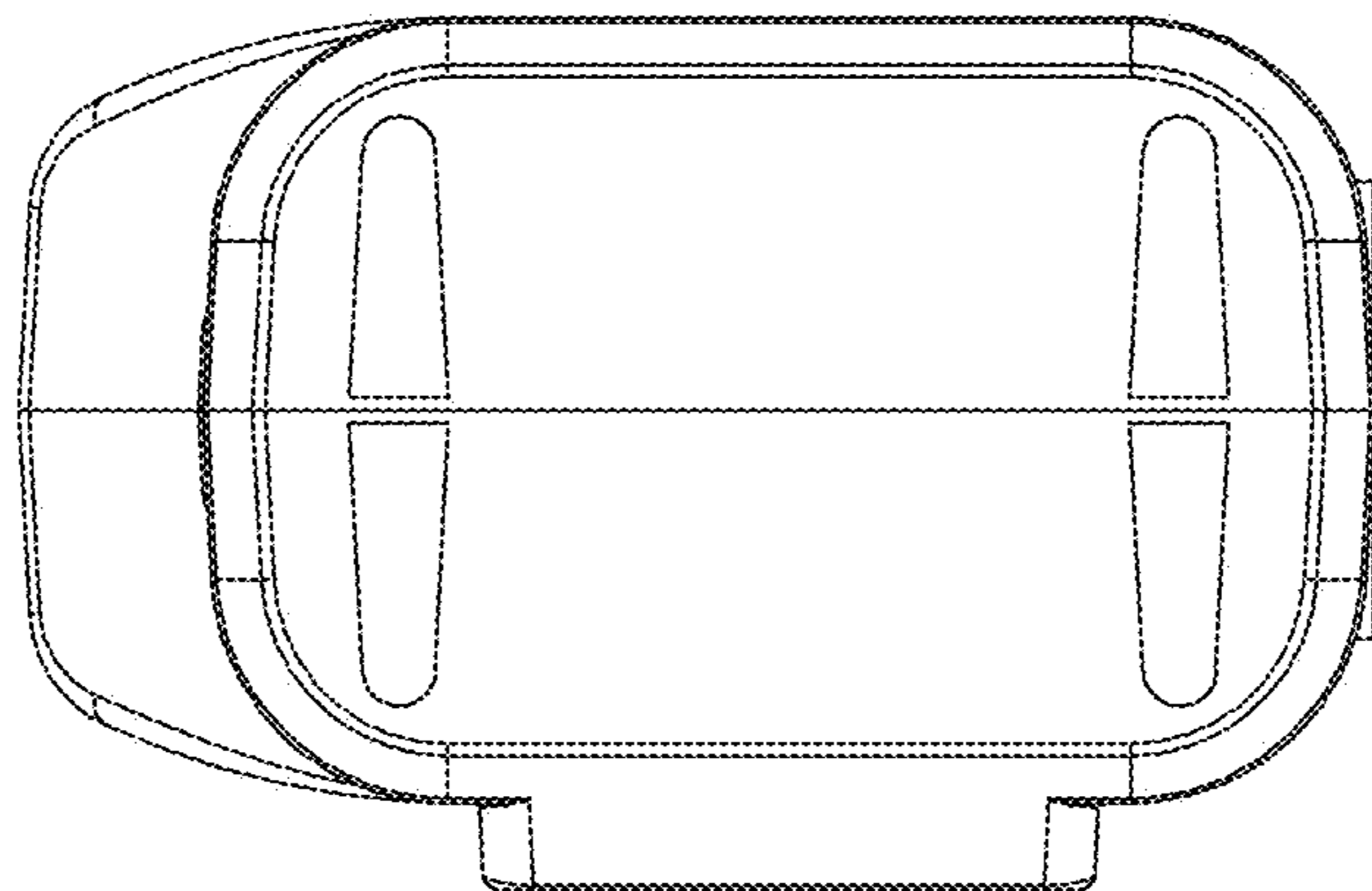


Fig. 7