



US00D700137S

(12) **United States Design Patent**  
**Ashida et al.**

(10) **Patent No.:** **US D700,137 S**

(45) **Date of Patent:** **\*\* Feb. 25, 2014**

(54) **STORAGE BATTERY**

(71) Applicant: **Nintendo Co., Ltd.**, Kyoto (JP)

(72) Inventors: **Kenichiro Ashida**, Kyoto (JP); **Masato Ibuki**, Kyoto (JP); **Shinji Yamamoto**, Kyoto (JP); **Fumiyoshi Suetake**, Kyoto (JP); **Akiko Suga**, Kyoto (JP); **Naoya Yamamoto**, Kyoto (JP); **Hitoshi Tsuchiya**, Kyoto (JP); **Junji Takamoto**, Kyoto (JP); **Yuji Hori**, Kyoto (JP); **Masahiko Nishimura**, Kyoto (JP); **Yositomo Gotou**, Kyoto (JP); **Daisuke Kumazaki**, Kyoto (JP); **Takafumi Nishida**, Kyoto (JP)

(73) Assignee: **Nintendo Co., Ltd.**, Kyoto (JP)

(\*\*) Term: **14 Years**

(21) Appl. No.: **29/454,917**

(22) Filed: **May 15, 2013**

(30) **Foreign Application Priority Data**

Nov. 16, 2012 (JP) ..... 2012-028117

(51) **LOC (10) Cl.** ..... **13-02**

(52) **U.S. Cl.**  
USPC ..... **D13/103**

(58) **Field of Classification Search**  
USPC ..... D13/102-104, 110, 118-121, 184, 199;  
429/96-100, 163, 176  
See application file for complete search history.

(56) **References Cited**

**U.S. PATENT DOCUMENTS**

D368,316 S \* 3/1996 Jansson ..... D26/39  
D404,356 S \* 1/1999 Higgins et al. .... D13/103

D440,201 S \* 4/2001 Huynh et al. .... D13/103  
D457,133 S \* 5/2002 Yoneyama  
D478,866 S \* 8/2003 Nakai  
D555,587 S \* 11/2007 Yamamoto et al.  
D570,772 S \* 6/2008 Mahaffey et al. .... D13/110  
D601,494 S \* 10/2009 Otani et al.  
D601,961 S \* 10/2009 Mahaffey et al. .... D13/123  
D615,929 S \* 5/2010 Maurer et al. .... D13/137.4  
D623,590 S \* 9/2010 Otani et al.  
D645,814 S \* 9/2011 Otani et al.  
D662,070 S \* 6/2012 Loughlin ..... D13/184  
D684,114 S \* 6/2013 Otani et al.  
D686,150 S \* 7/2013 Lee et al. .... D13/103  
D686,152 S \* 7/2013 Lee et al. .... D13/103

**OTHER PUBLICATIONS**

Design U.S Appl. No. 29/454,909, filed May 15, 2013 (pending).

\* cited by examiner

*Primary Examiner* — Rosemary K Tarcza

(74) *Attorney, Agent, or Firm* — Nixon & Vanderhye, P.C.

(57) **CLAIM**

The ornamental design for a storage battery, as shown and described.

**DESCRIPTION**

FIG. 1 is front, right and top perspective view of a storage battery showing our new design;  
FIG. 2 is rear, left and bottom perspective view thereof;  
FIG. 3 is a front view thereof;  
FIG. 4 is a rear view thereof;  
FIG. 5 is a top plan view thereof;  
FIG. 6 is a bottom plan view thereof;  
FIG. 7 is a left side view thereof; and,  
FIG. 8 is a right side view thereof.

**1 Claim, 3 Drawing Sheets**

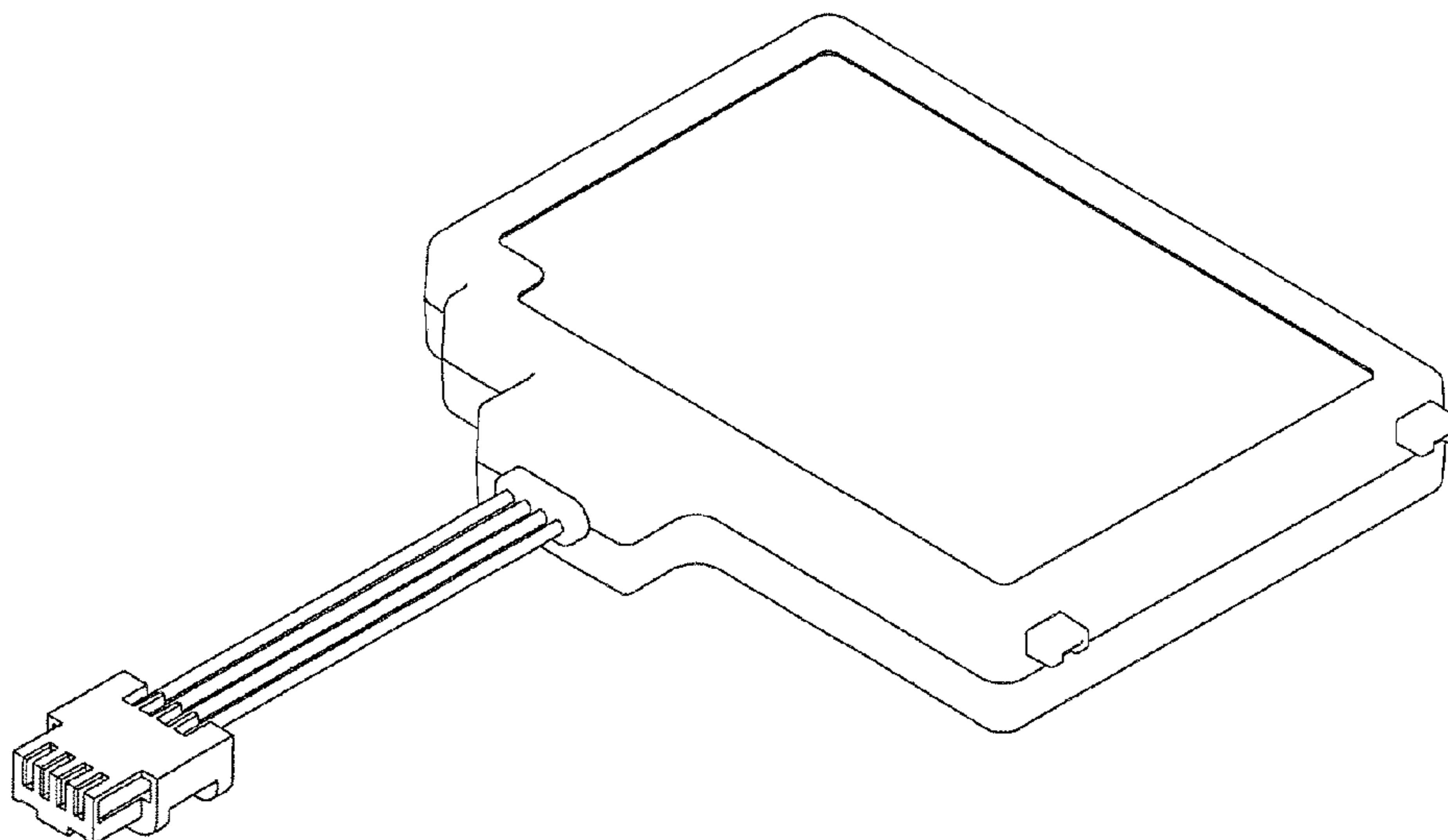


FIG. 1

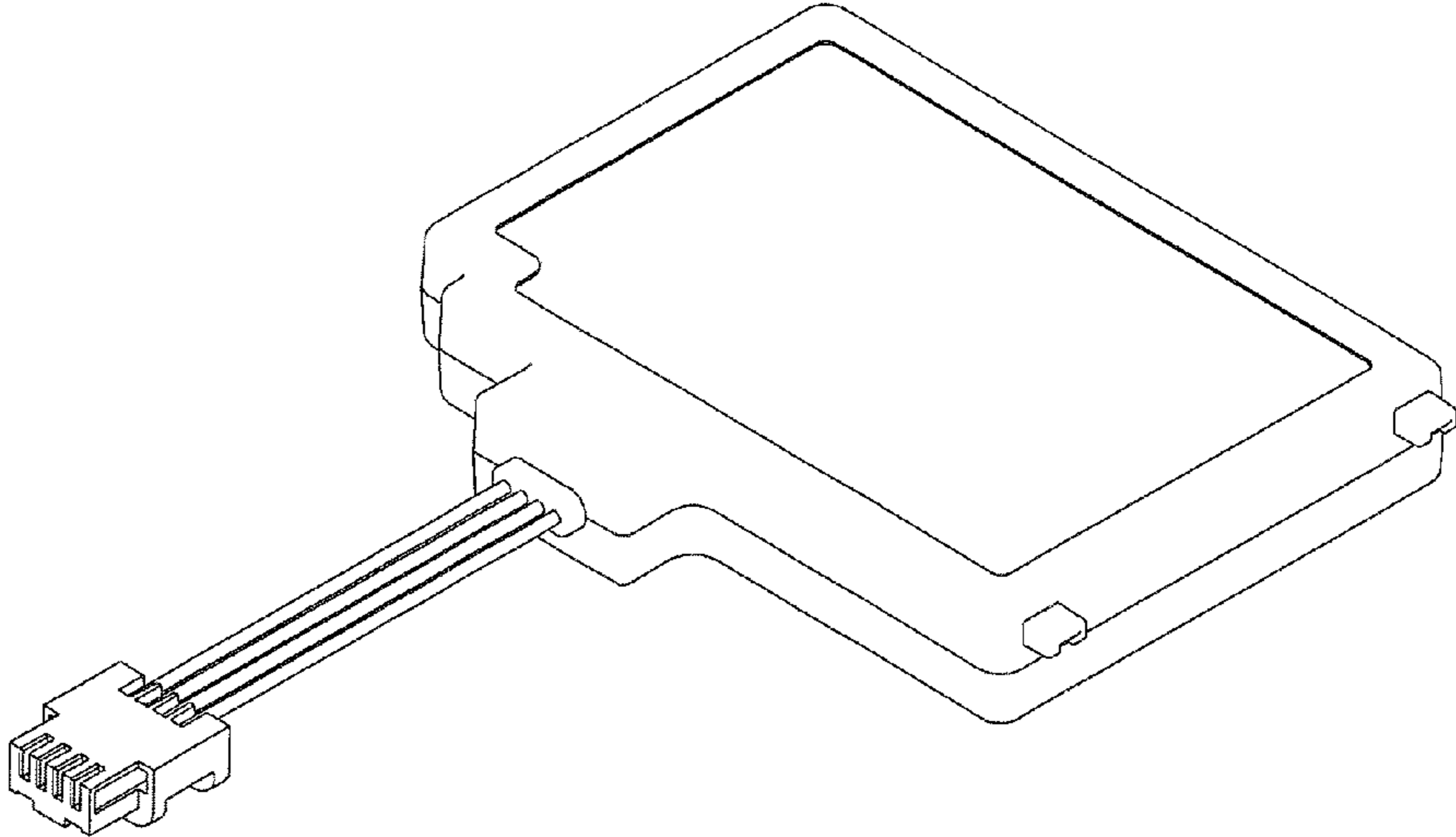


FIG. 2

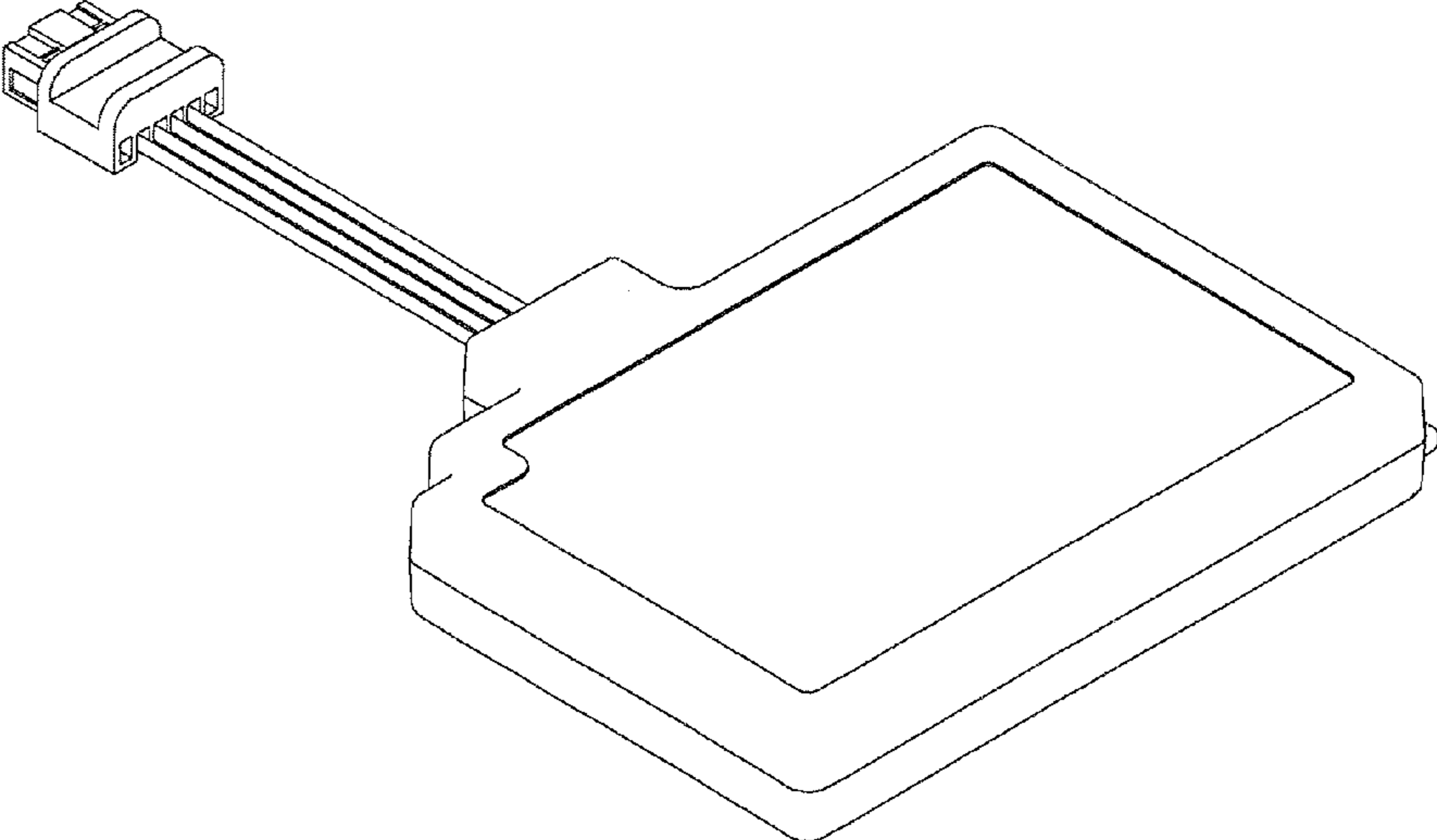


FIG. 3

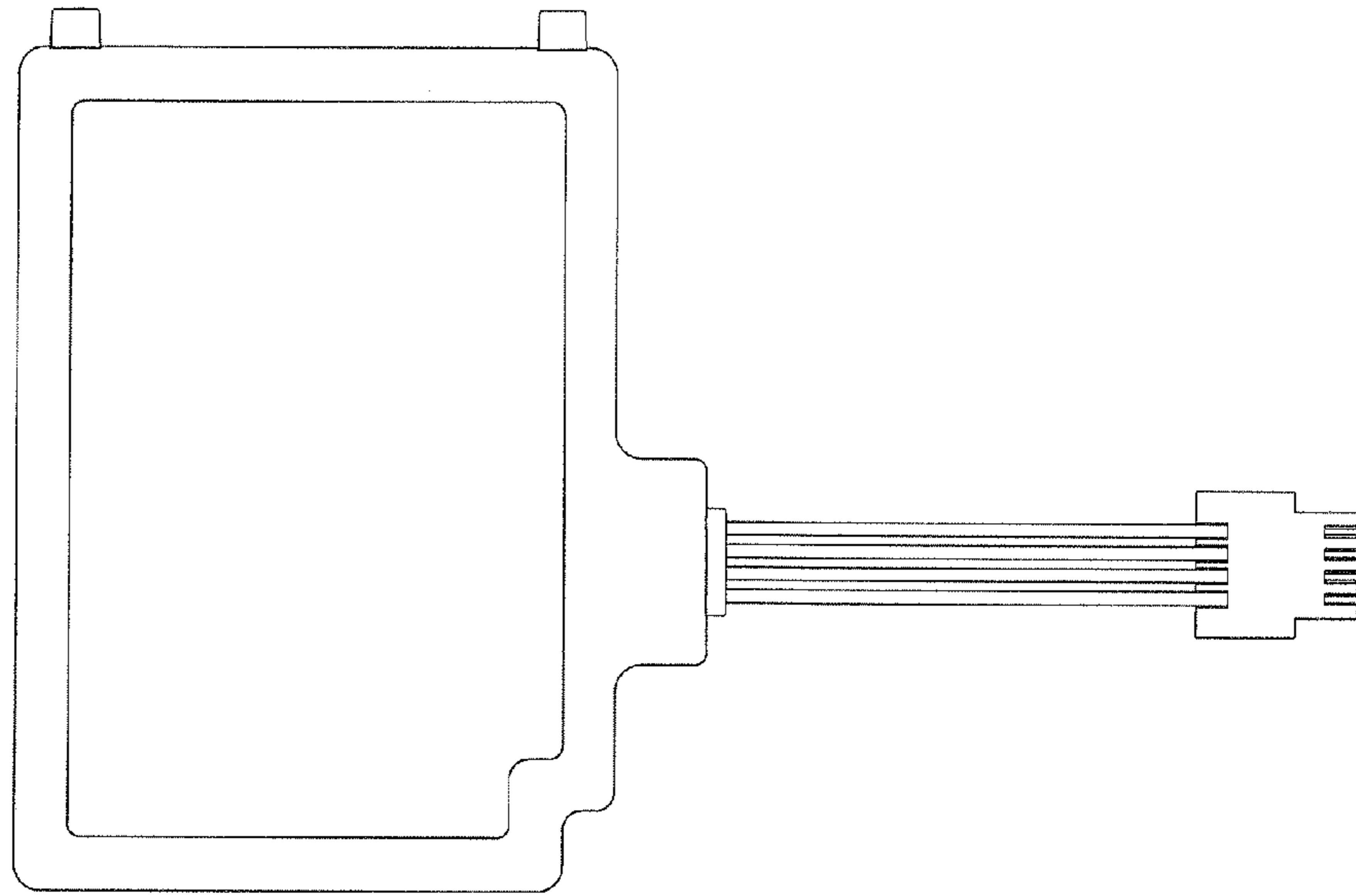


FIG. 4

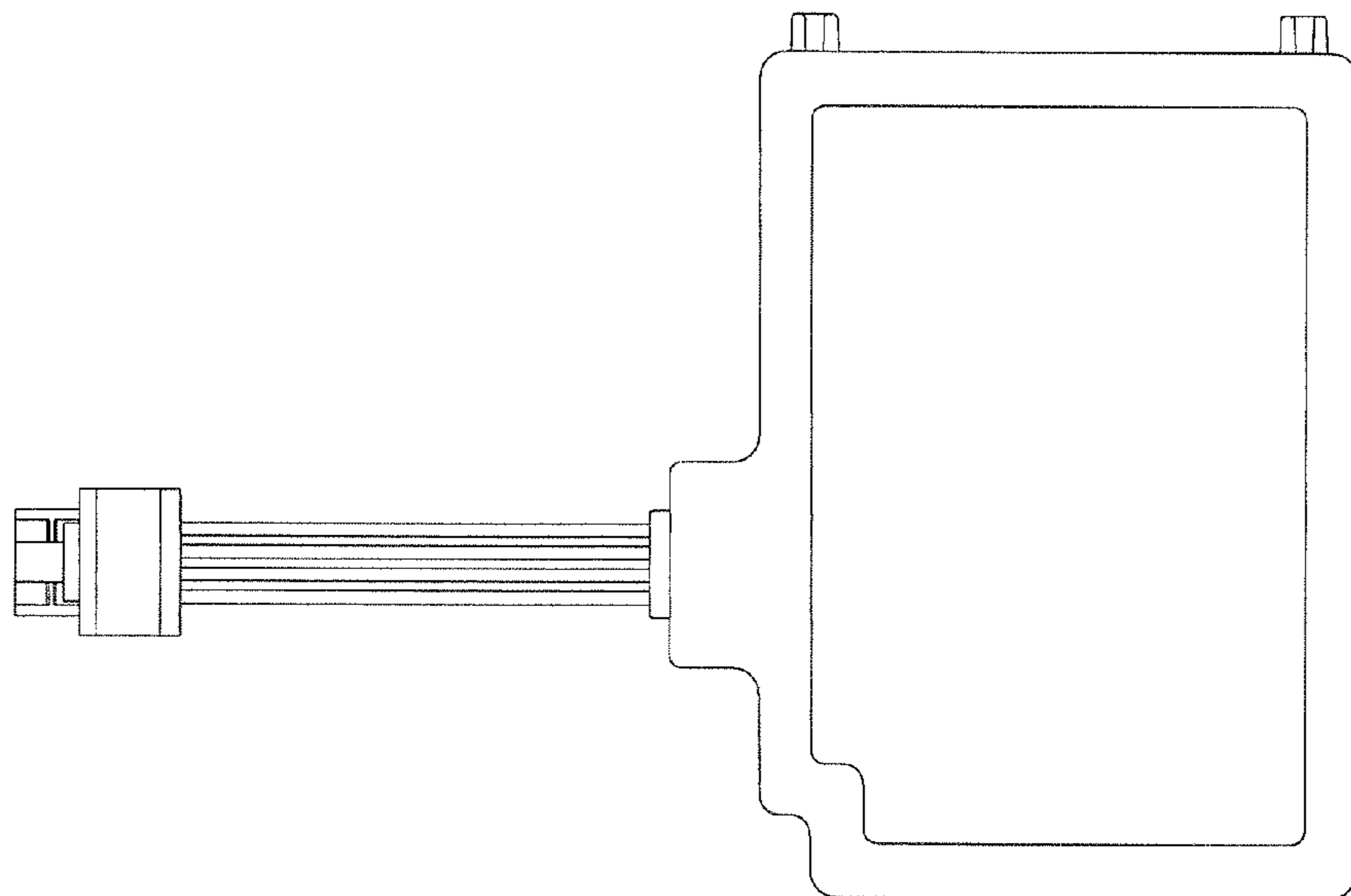


FIG. 5

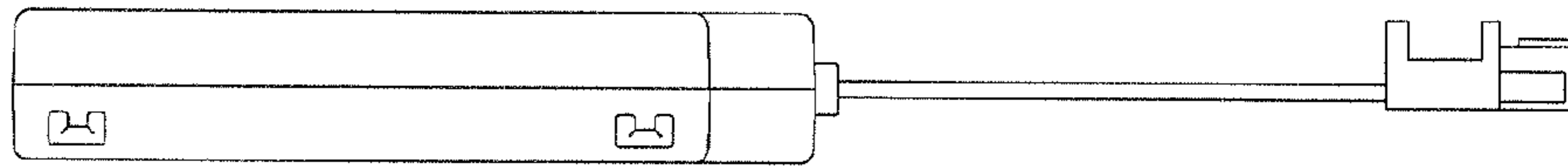


FIG. 6

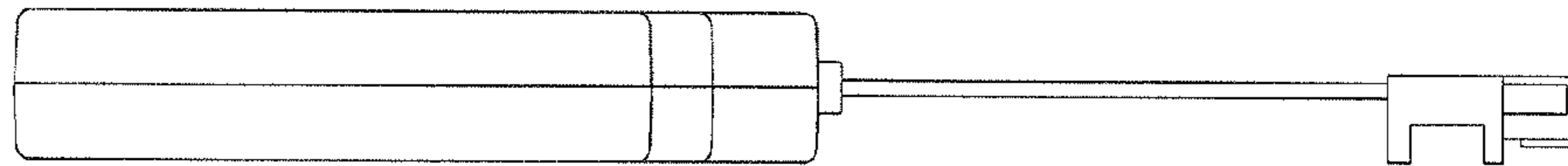


FIG. 7

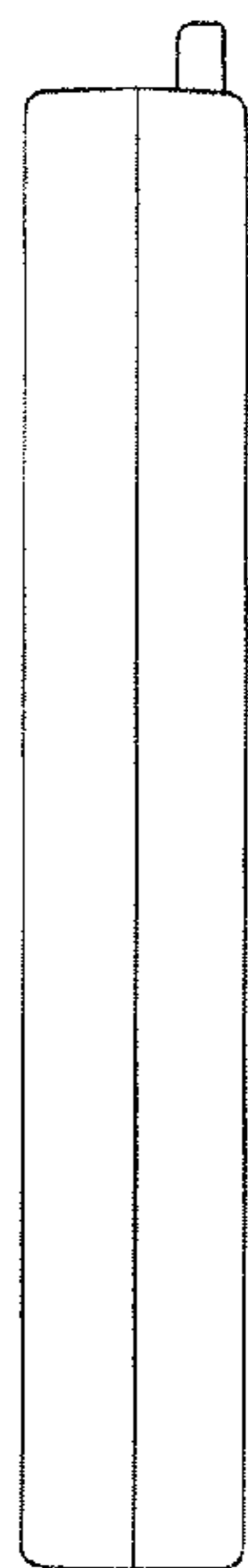


FIG. 8

