



US00D700136S

(12) **United States Design Patent**  
**Morris et al.**

(10) **Patent No.:** **US D700,136 S**  
(45) **Date of Patent:** **\*\* Feb. 25, 2014**

- (54) **BATTERY HOUSING**
- (71) Applicant: **Microsoft Corporation**, Redmond, WA (US)
- (72) Inventors: **Quintin R. Morris**, Issaquah, WA (US);  
**Richard J. Wattles**, Seattle, WA (US)
- (73) Assignee: **Microsoft Corporation**, Redmond, WA (US)
- (\*\*) Term: **14 Years**
- (21) Appl. No.: **29/449,605**
- (22) Filed: **Mar. 15, 2013**
- (51) **LOC (10) Cl.** ..... **13-02**
- (52) **U.S. Cl.**  
USPC ..... **D13/103**
- (58) **Field of Classification Search**  
USPC ..... D13/102-104, 110, 118-121, 184, 199;  
429/96-100, 163, 176  
See application file for complete search history.

- D522,451 S 6/2006 Hayes et al.
- D586,738 S \* 2/2009 Zaremba et al. .... D13/103
- D586,740 S \* 2/2009 Song ..... D13/103
- D590,769 S \* 4/2009 Tatehata et al. .... D13/103
- D593,940 S \* 6/2009 Nomi et al. .... D13/103
- D622,213 S \* 8/2010 Nomi et al. .... D13/103
- D637,153 S 5/2011 Ikeda et al.
- D650,738 S 12/2011 Leung
- D654,021 S \* 2/2012 Sweeney et al. .... D13/110

\* cited by examiner

*Primary Examiner* — Rosemary K Tarcza

(74) *Attorney, Agent, or Firm* — Banner & Witcoff, Ltd.

(57) **CLAIM**

The ornamental design for a battery housing, as shown and described.

**DESCRIPTION**

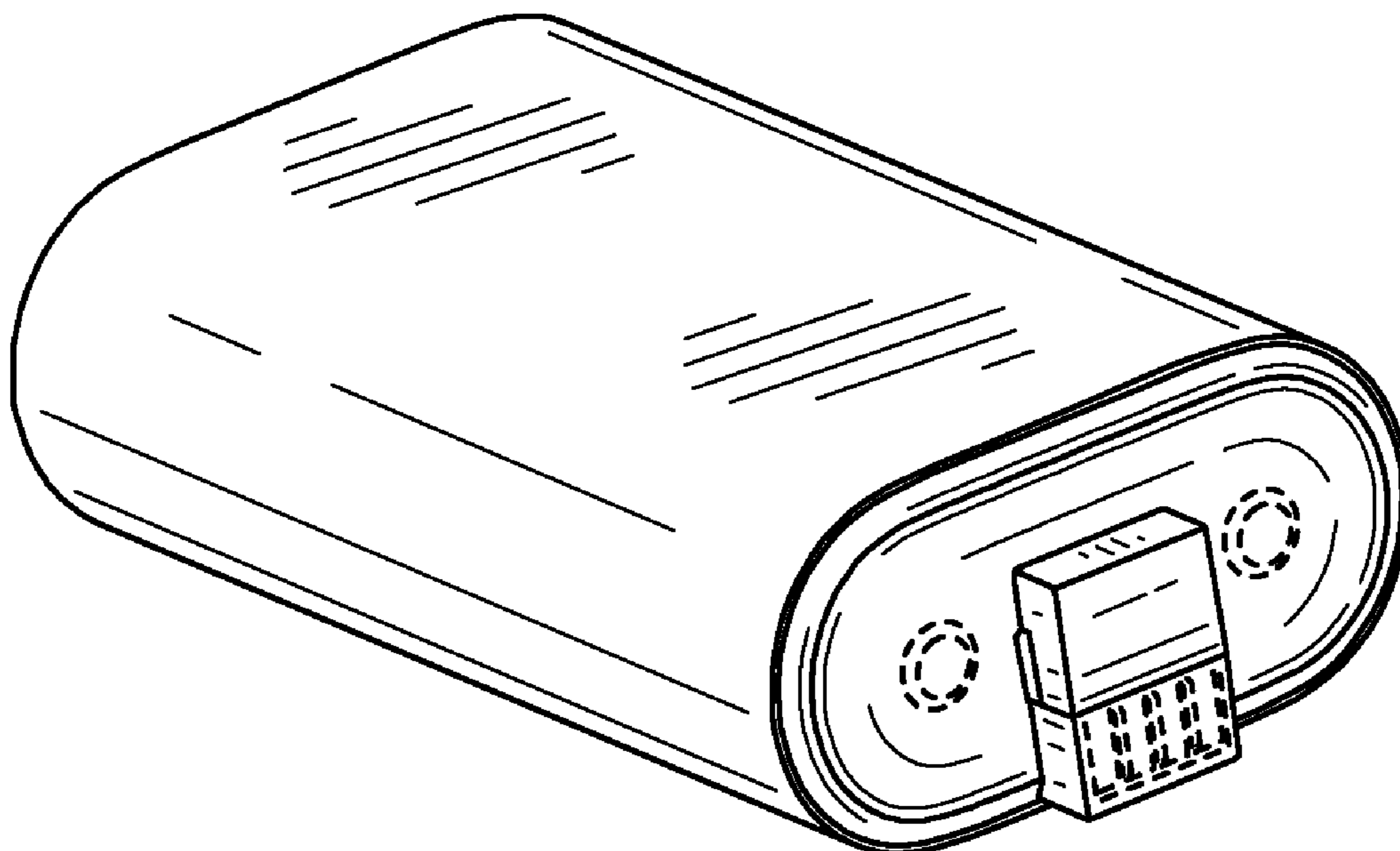
FIG. 1 is a perspective view of a battery housing showing our new design;  
 FIG. 2 is a front view thereof;  
 FIG. 3 is a rear view thereof;  
 FIG. 4 is a top view thereof;  
 FIG. 5 is a bottom view thereof;  
 FIG. 6 is a left side view thereof; and,  
 FIG. 7 is a right side view thereof.  
 The broken line showing of the unshaded features in FIGS. 1-7 is for environmental purposes only and forms no part of the claimed design.

**1 Claim, 2 Drawing Sheets**

(56) **References Cited**

**U.S. PATENT DOCUMENTS**

- D306,851 S \* 3/1990 Weimann ..... D13/103
- D327,260 S \* 6/1992 Davis et al. .... D14/433
- D370,201 S \* 5/1996 Okano et al. .... D13/103
- D417,860 S \* 12/1999 Lau ..... D13/103
- D446,499 S \* 8/2001 Andre et al. .... D13/110
- D454,110 S \* 3/2002 Andre et al. .... D13/110
- D483,722 S \* 12/2003 Bailey ..... D13/119



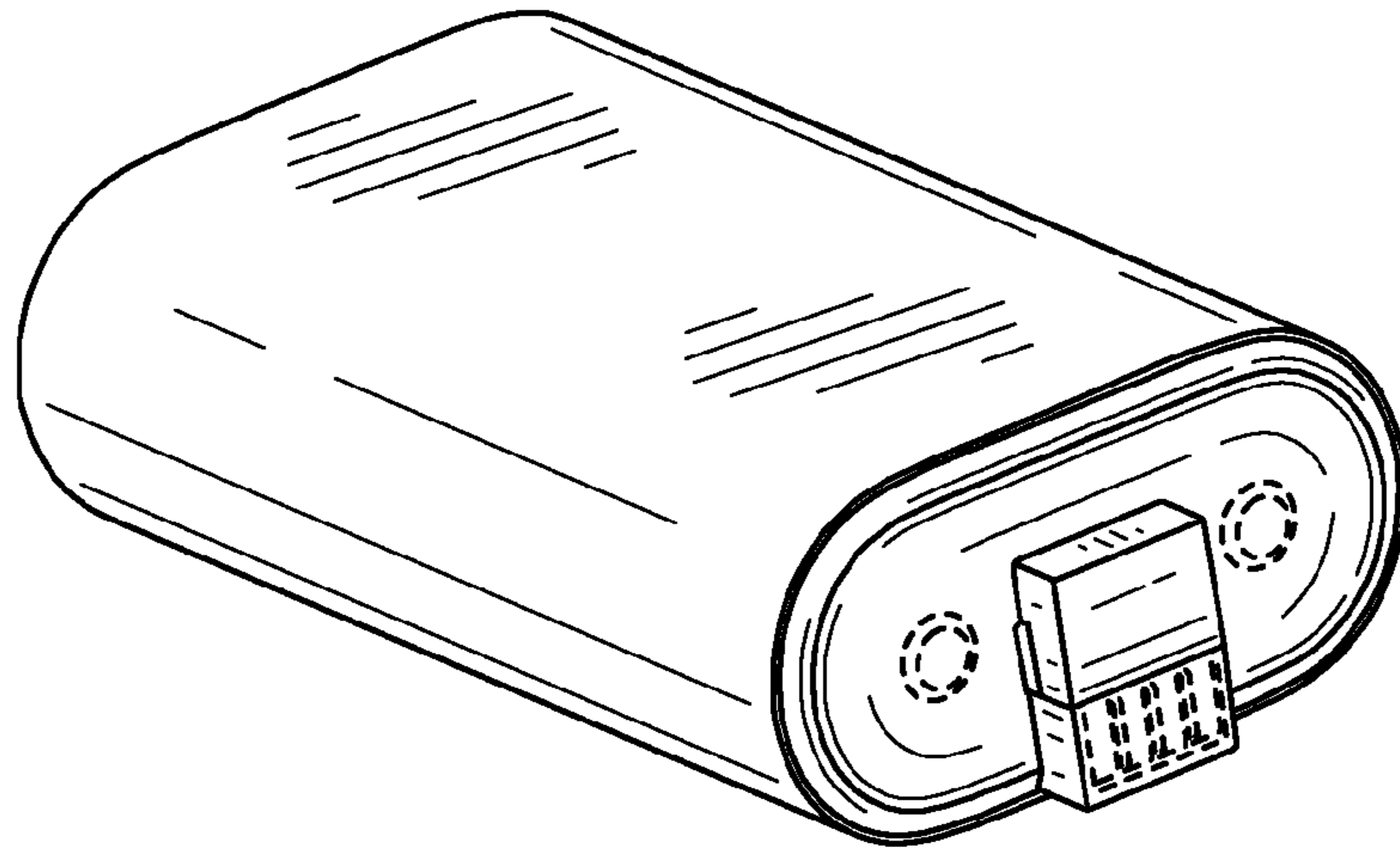


FIG. 1

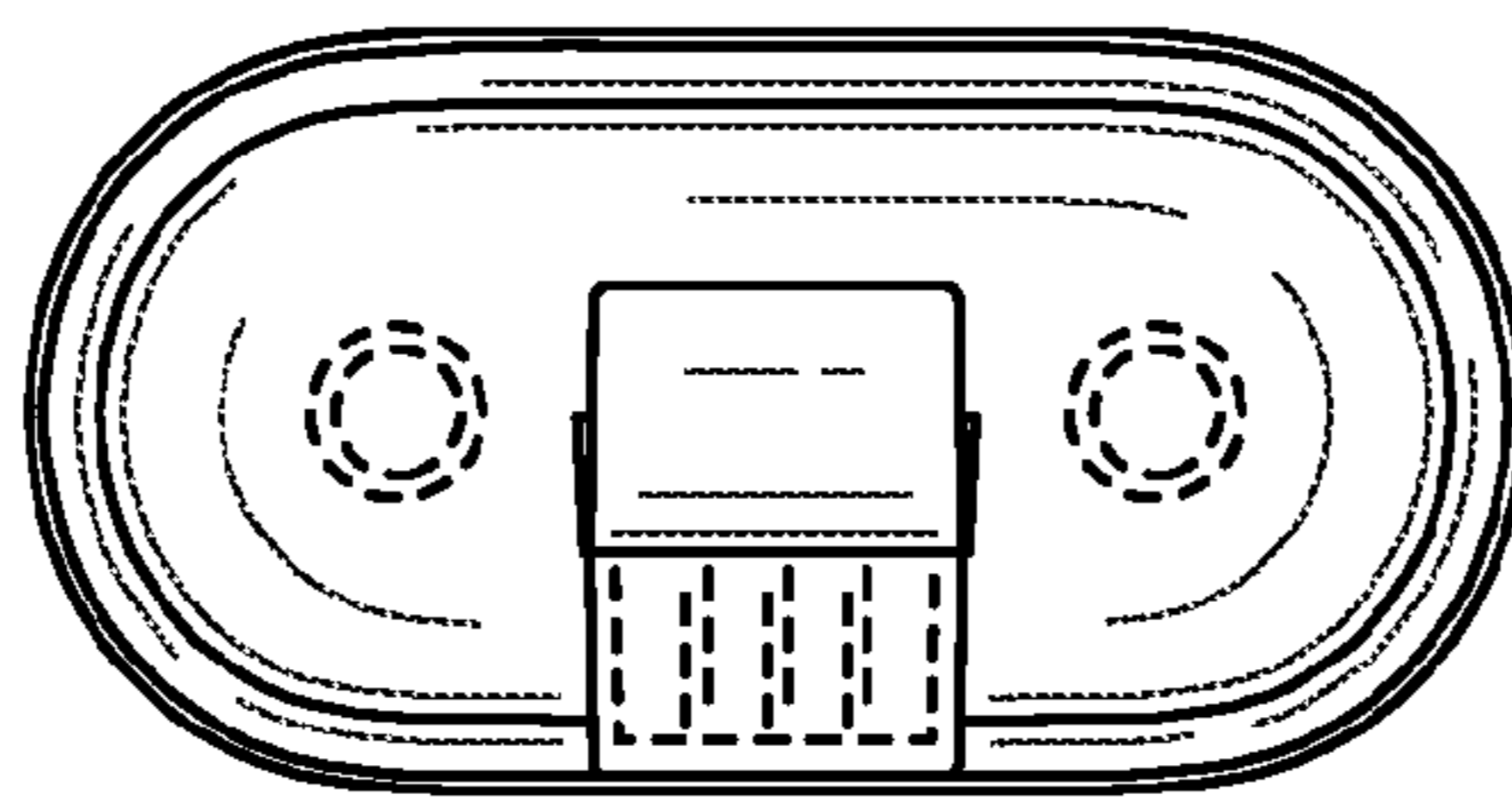


FIG. 2

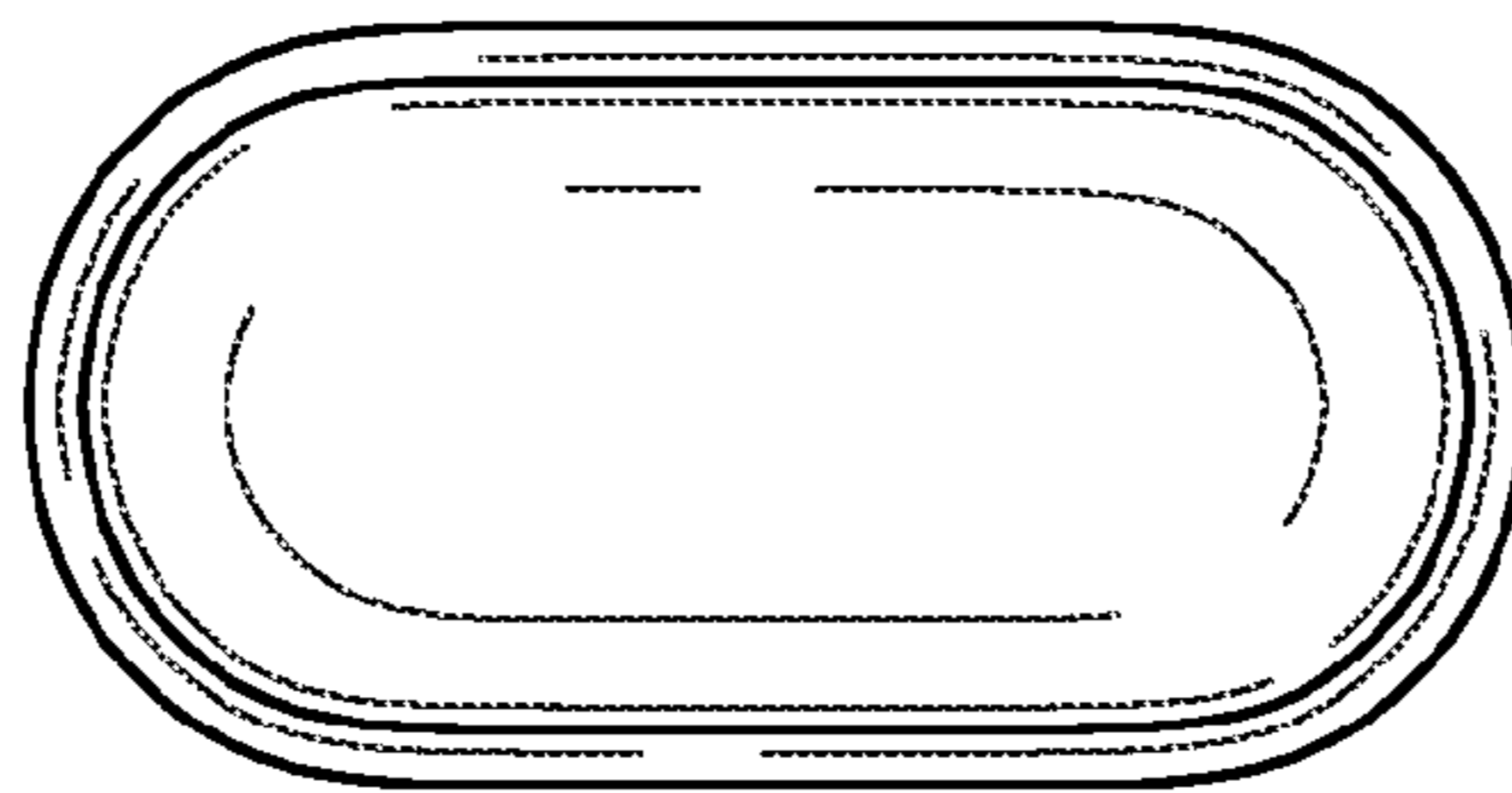


FIG. 3

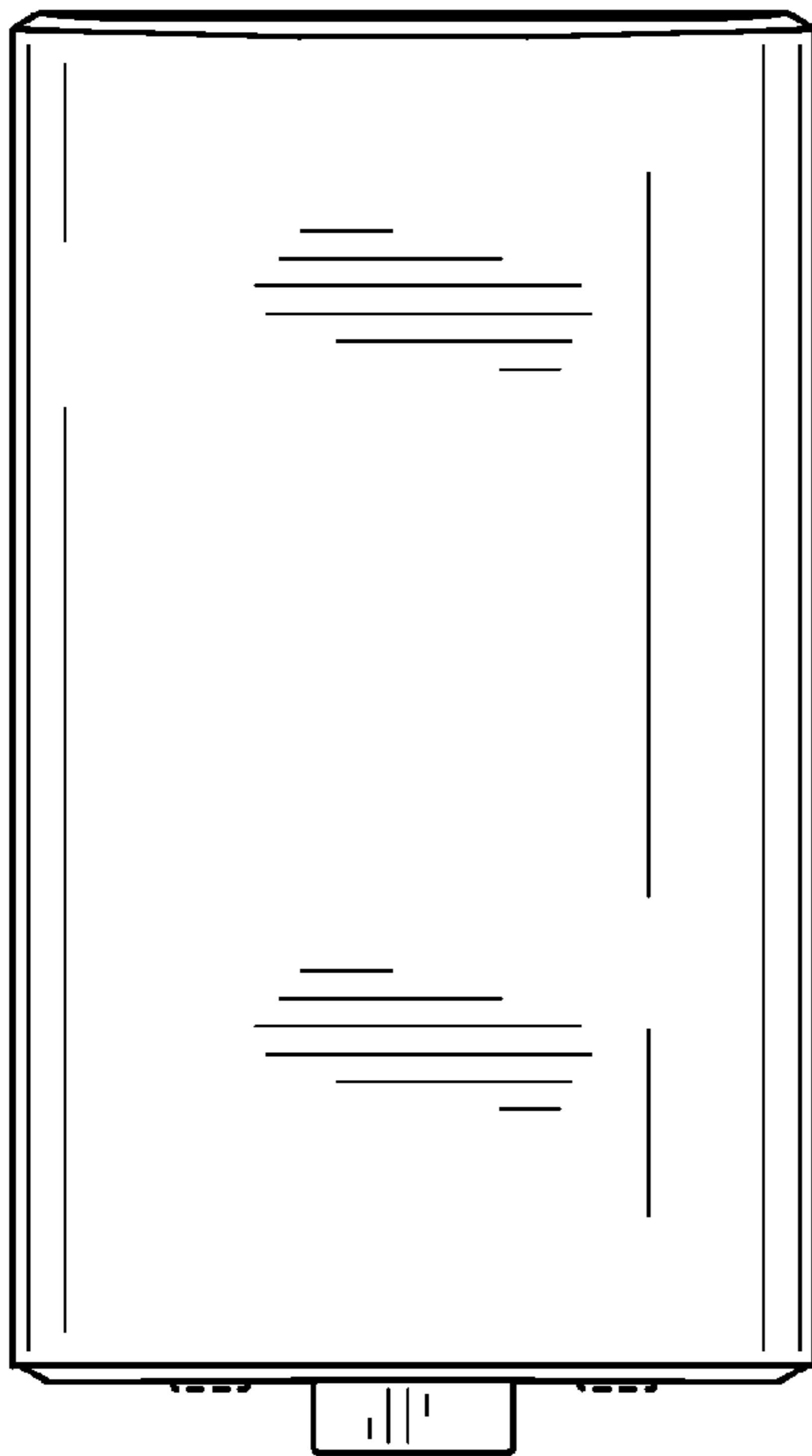


FIG. 4

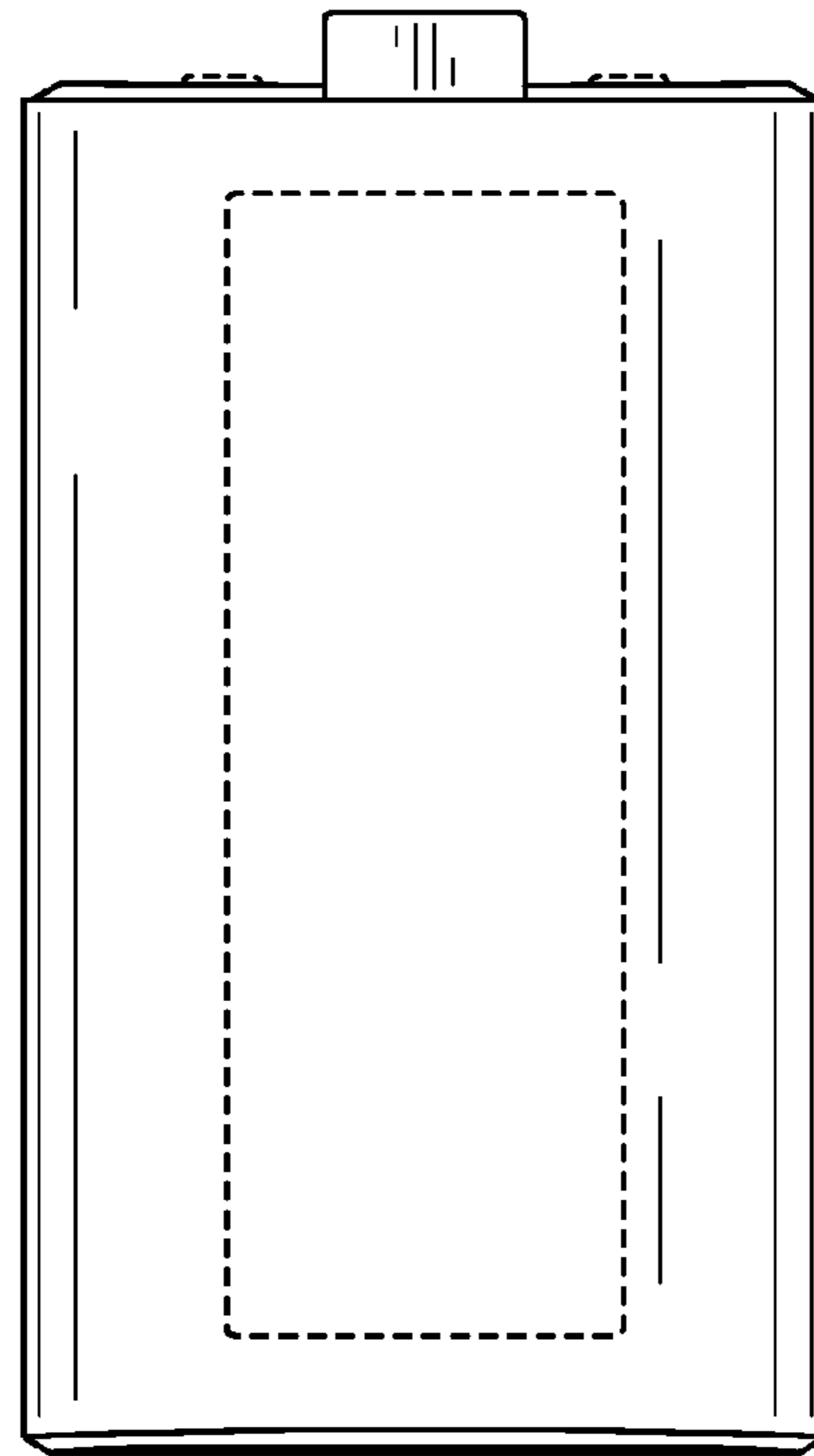


FIG. 5

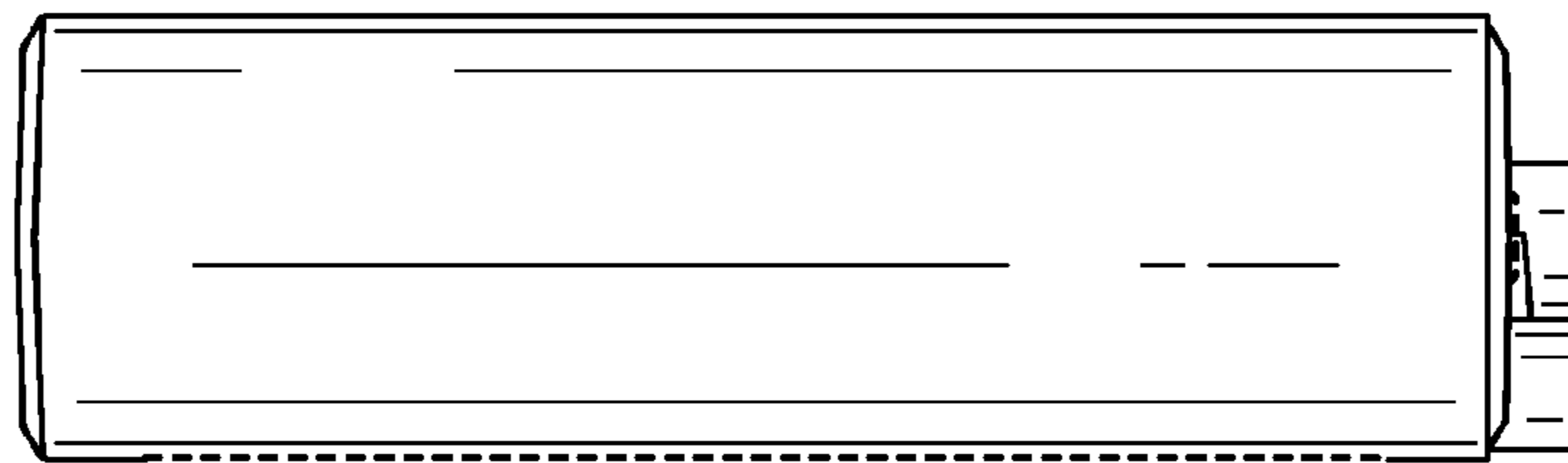


FIG. 6

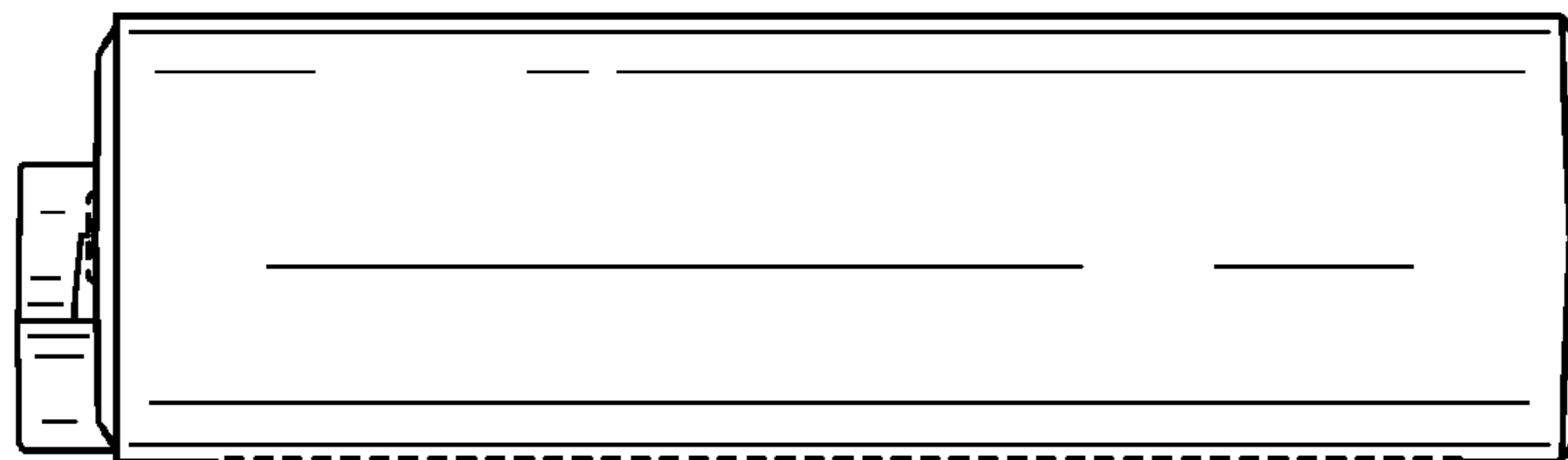


FIG. 7