



US00D700134S

(12) **United States Design Patent**  
**Fallon**

(10) **Patent No.:** **US D700,134 S**  
(45) **Date of Patent:** **\*\* Feb. 25, 2014**

- (54) **SOLAR PANEL ASSEMBLY**
- (71) Applicant: **Green Light Innovations**, Lake Saint Louis, MO (US)
- (72) Inventor: **Timothy G. Fallon**, Lake Saint Louis, MO (US)
- (73) Assignee: **Green Light Innovations**, Lake Saint Louis, MO (US)
- (\*\*) Term: **14 Years**
- (21) Appl. No.: **29/453,723**
- (22) Filed: **May 2, 2013**

D573,943	S	*	7/2008	Ono et al.	.....	D13/102
D581,865	S		12/2008	Koza		
D617,265	S		6/2010	Sasada et al.		
D625,251	S		10/2010	Workman et al.		
D628,534	S		12/2010	Daniel		
D643,363	S		8/2011	Wigmore		
D647,048	S		10/2011	Sasada et al.		
D650,736	S		12/2011	Wharram		
D652,373	S		1/2012	Sasada et al.		
D652,376	S		1/2012	Nomi et al.		
D657,305	S		4/2012	Nomi et al.		
8,173,893	B2		5/2012	Huang		
2005/0162121	A1		7/2005	Chan		
2008/0125188	A1	*	5/2008	Huang	.....	455/573
2009/0007958	A1		1/2009	Ho et al.		
2009/0256520	A1		10/2009	Frishman		
2010/0153312	A1		6/2010	Lemaire		
2011/0065474	A1		3/2011	Won et al.		
2011/0109259	A1		5/2011	Choi et al.		
2011/0204843	A1		8/2011	Foster		
2011/0291607	A1		12/2011	Rossi et al.		
2012/0031470	A1		2/2012	Dimov et al.		

**Related U.S. Application Data**

- (62) Division of application No. 29/436,490, filed on Nov. 6, 2012, now Pat. No. Des. 684,112.

- (51) **LOC (10) Cl.** ..... **13-02**
- (52) **U.S. Cl.**  
USPC ..... **D13/102**

- (58) **Field of Classification Search**  
USPC ..... D13/102, 101, 103, 107, 108, 199;  
136/206, 243, 244, 245, 252; 320/101,  
320/102, 114, 115, 120  
See application file for complete search history.

(56) **References Cited**

**U.S. PATENT DOCUMENTS**

4,786,851	A	*	11/1988	Fuji et al.	.....	320/101
5,522,943	A		6/1996	Spencer et al.		
D395,279	S	*	6/1998	Peress et al.	.....	D13/107
6,084,379	A	*	7/2000	Buniatyan	.....	320/101
6,476,311	B1		11/2002	Lee et al.		
6,650,085	B2	*	11/2003	Lau et al.	.....	320/101
D489,680	S		5/2004	Stobart		
D493,768	S		8/2004	Lam		
D510,316	S		10/2005	Hayakawa		
D535,613	S	*	1/2007	Varalo et al.	.....	D13/108

\* cited by examiner

*Primary Examiner* — Derrick Holland

(74) *Attorney, Agent, or Firm* — Armstrong Teasdale LLP

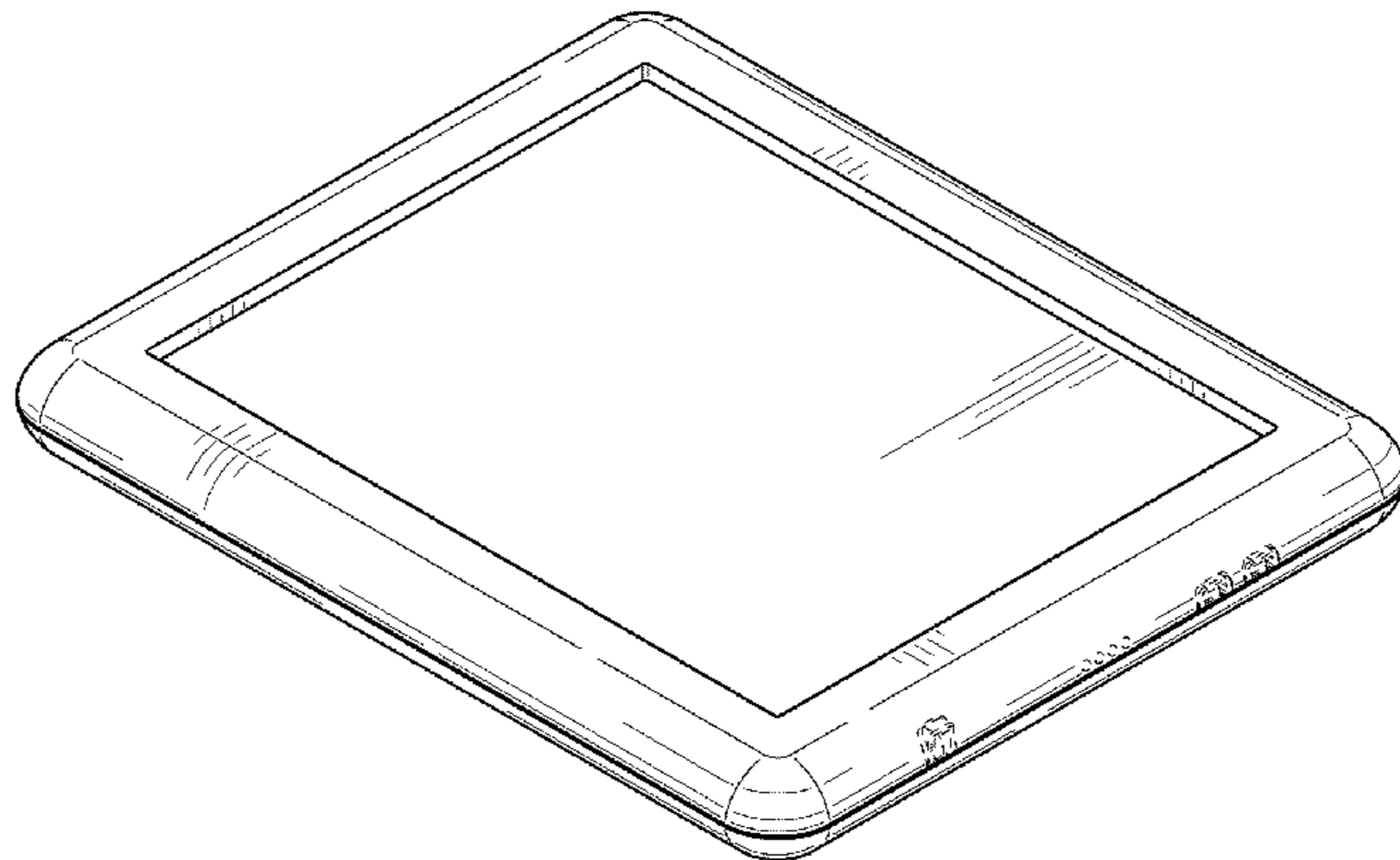
(57) **CLAIM**

The ornamental design for a solar panel assembly, as shown and described.

**DESCRIPTION**

FIG. 1 is a perspective view of a solar panel assembly showing my new design;  
 FIG. 2 is a front elevation view thereof;  
 FIG. 3 is a rear elevation view thereof;  
 FIG. 4 is a top plan view thereof;  
 FIG. 5 is a bottom plan view thereof;  
 FIG. 6 is a right side elevation view thereof; and,  
 FIG. 7 is a left side elevation view thereof.  
 The broken lines shown represent unclaimed subject matter and form no part of the claimed design.

**1 Claim, 3 Drawing Sheets**



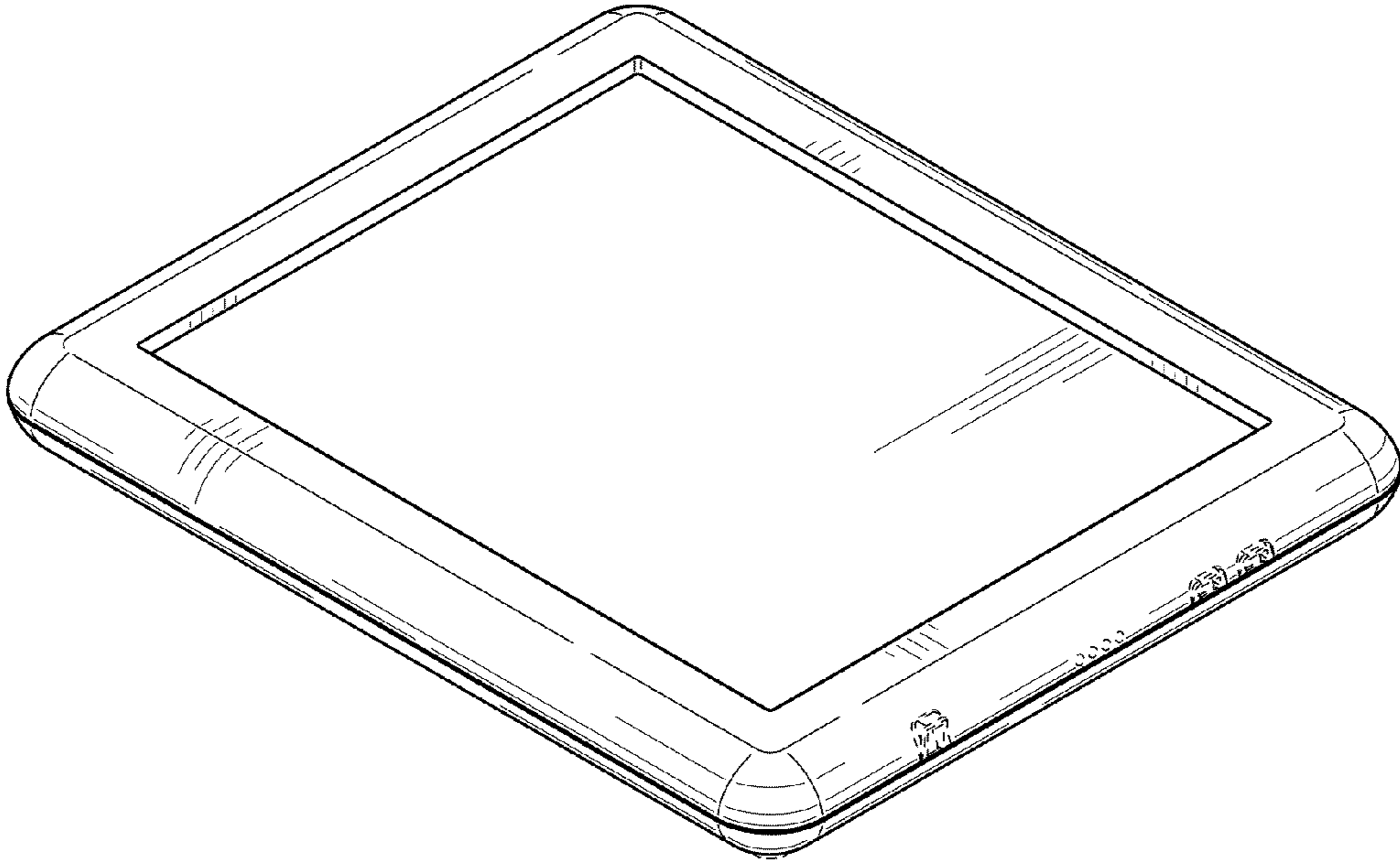


FIG. 1

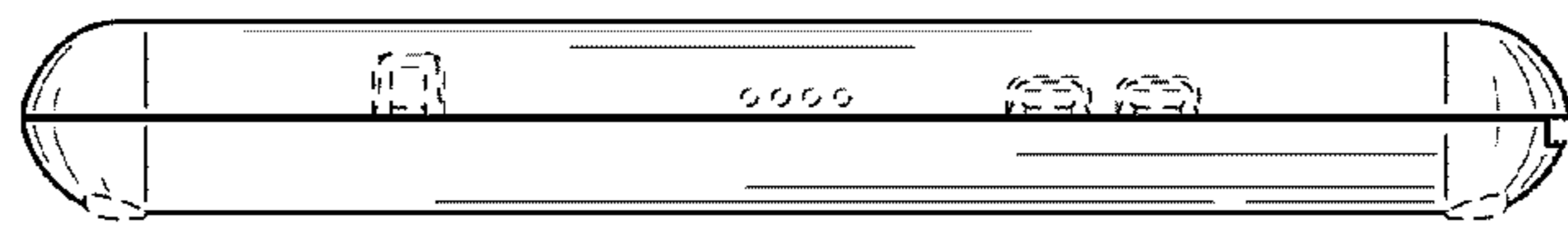


FIG. 2

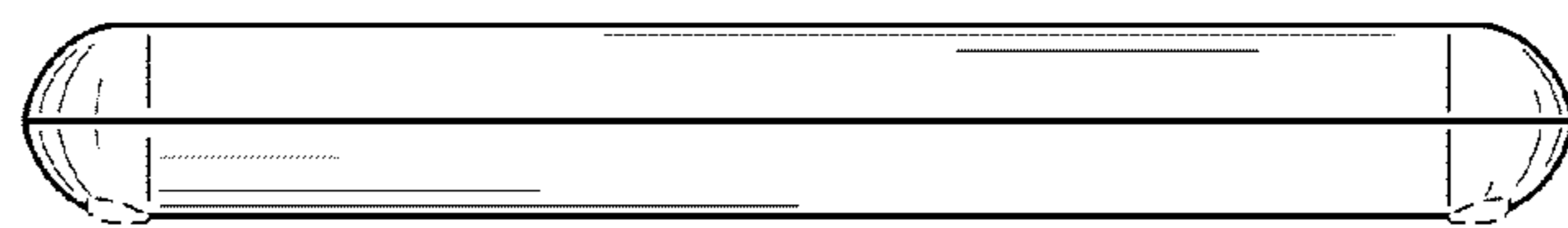


FIG. 3

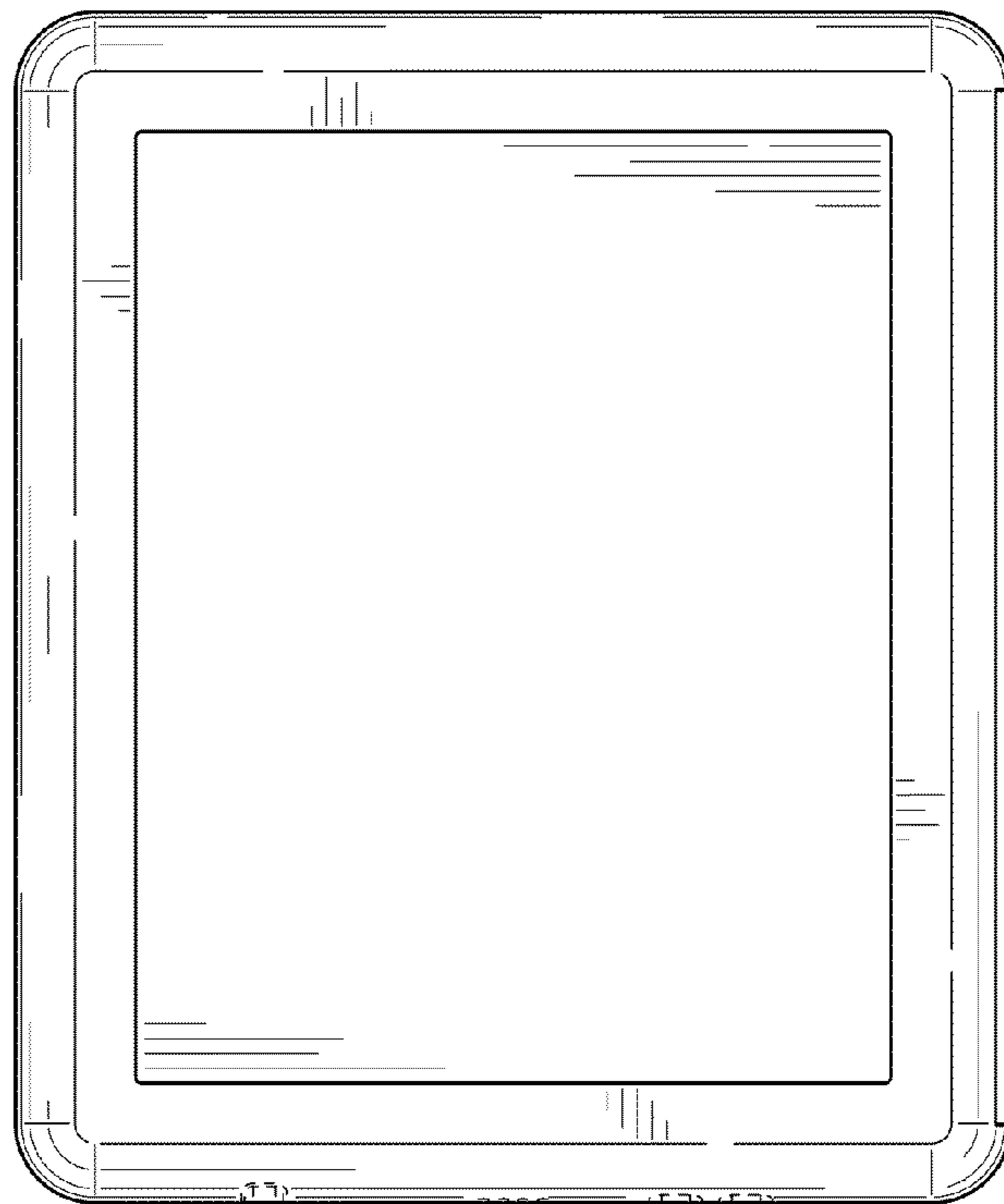


FIG. 4

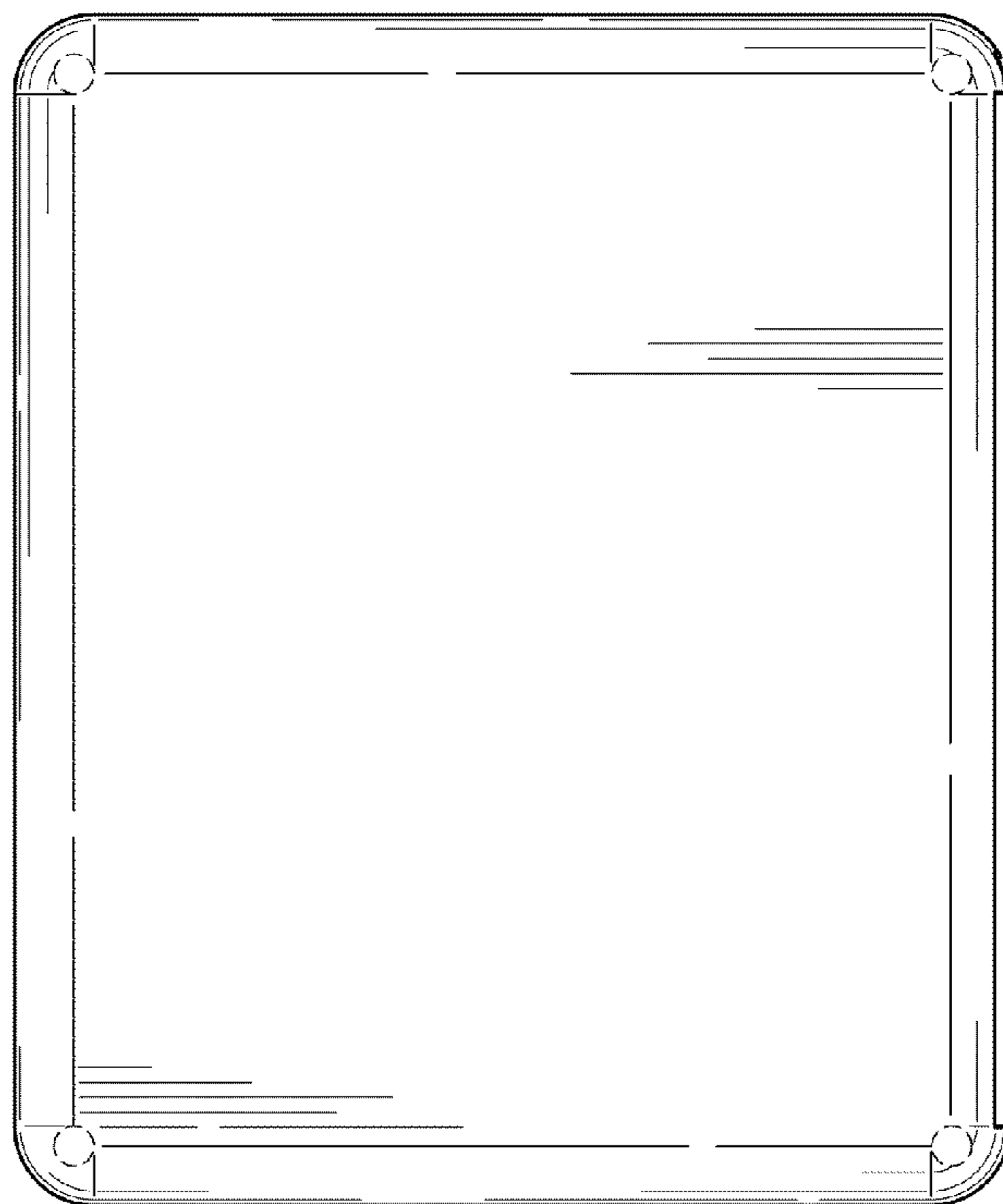


FIG. 5

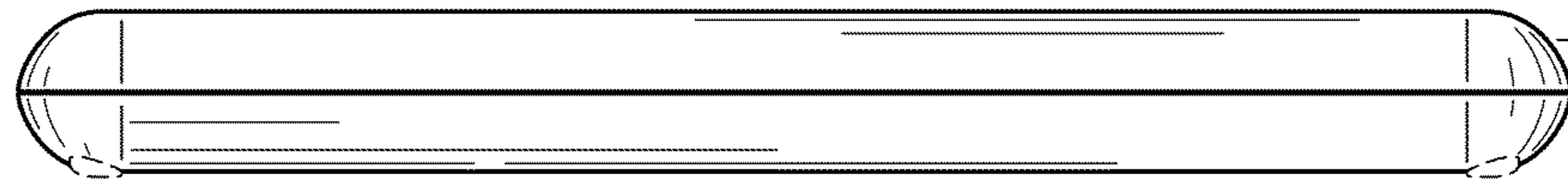


FIG. 6

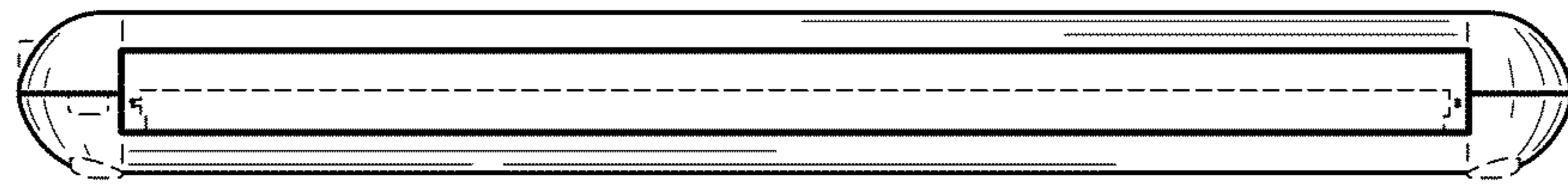


FIG. 7