



US00D700127S

(12) **United States Design Patent**
Fuller, IV

(10) **Patent No.:** **US D700,127 S**

(45) **Date of Patent:** **** Feb. 25, 2014**

(54) **BOAT**

(75) **Inventor:** **Linwood Addison Fuller, IV**, Fort
Pierce, FL (US)

(73) **Assignee:** **S2 Yachts Inc.**, Holland, MI (US)

(**) **Term:** **14 Years**

(21) **Appl. No.:** **29/418,651**

(22) **Filed:** **Apr. 19, 2012**

(51) **LOC (10) Cl.** **12-06**

(52) **U.S. Cl.**
USPC **D12/300**

(58) **Field of Classification Search**
USPC D12/300, 302, 303, 304, 307, 310–314,
D12/316, 317; 114/39.11–39.15,
114/39.21–39.32, 61.1, 61.2, 61.32, 61.33,
114/62, 355–358, 271, 273, 283, 288–292,
114/343, 363; 440/27, 35
See application file for complete search history.

(56) **References Cited**

U.S. PATENT DOCUMENTS

D284,183 S * 6/1986 Hegg et al. D12/314
D288,087 S * 2/1987 Hegg et al. D12/315
4,742,795 A 5/1988 DePrey et al.

D306,007 S * 2/1990 DePrey et al. D12/318
D322,240 S * 12/1991 Carlson D12/300
D333,810 S * 3/1993 Wenstadt D12/314
5,349,919 A 9/1994 Douglass
5,791,952 A 8/1998 Trinkl
D429,682 S 8/2000 Garland et al.
6,837,173 B2 1/2005 Eck et al.
6,994,049 B1 * 2/2006 Schulz 114/274
7,162,969 B2 1/2007 Houlder et al.
D547,256 S 7/2007 Kalil
2007/0006789 A1 1/2007 Davidson et al.
2012/0028517 A1 2/2012 Mochizuki et al.

* cited by examiner

Primary Examiner — Cynthia M Chin

(74) *Attorney, Agent, or Firm* — Price Heneveld LLP

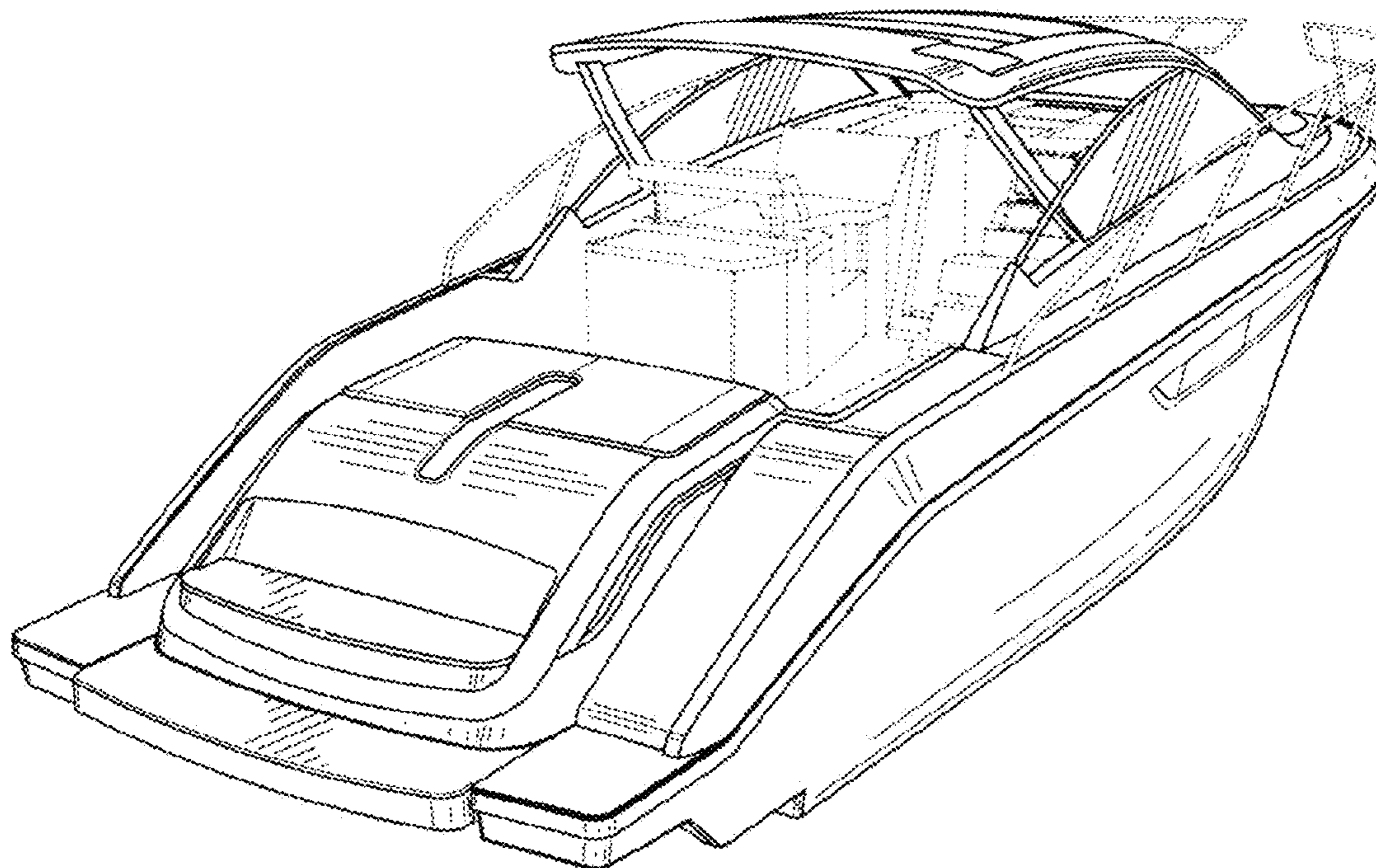
(57) **CLAIM**

I claim the ornamental design for a boat, as shown and described.

DESCRIPTION

FIG. 1 is a rear perspective view of the boat;
FIG. 2 is a right-side elevational view of the boat;
FIG. 3 is a left-side elevational view of the boat;
FIG. 4 is a front view of the boat; and,
FIG. 5 is a rear view of the boat.
The broken lines represent portions of an article that form no part of the claim.

1 Claim, 5 Drawing Sheets



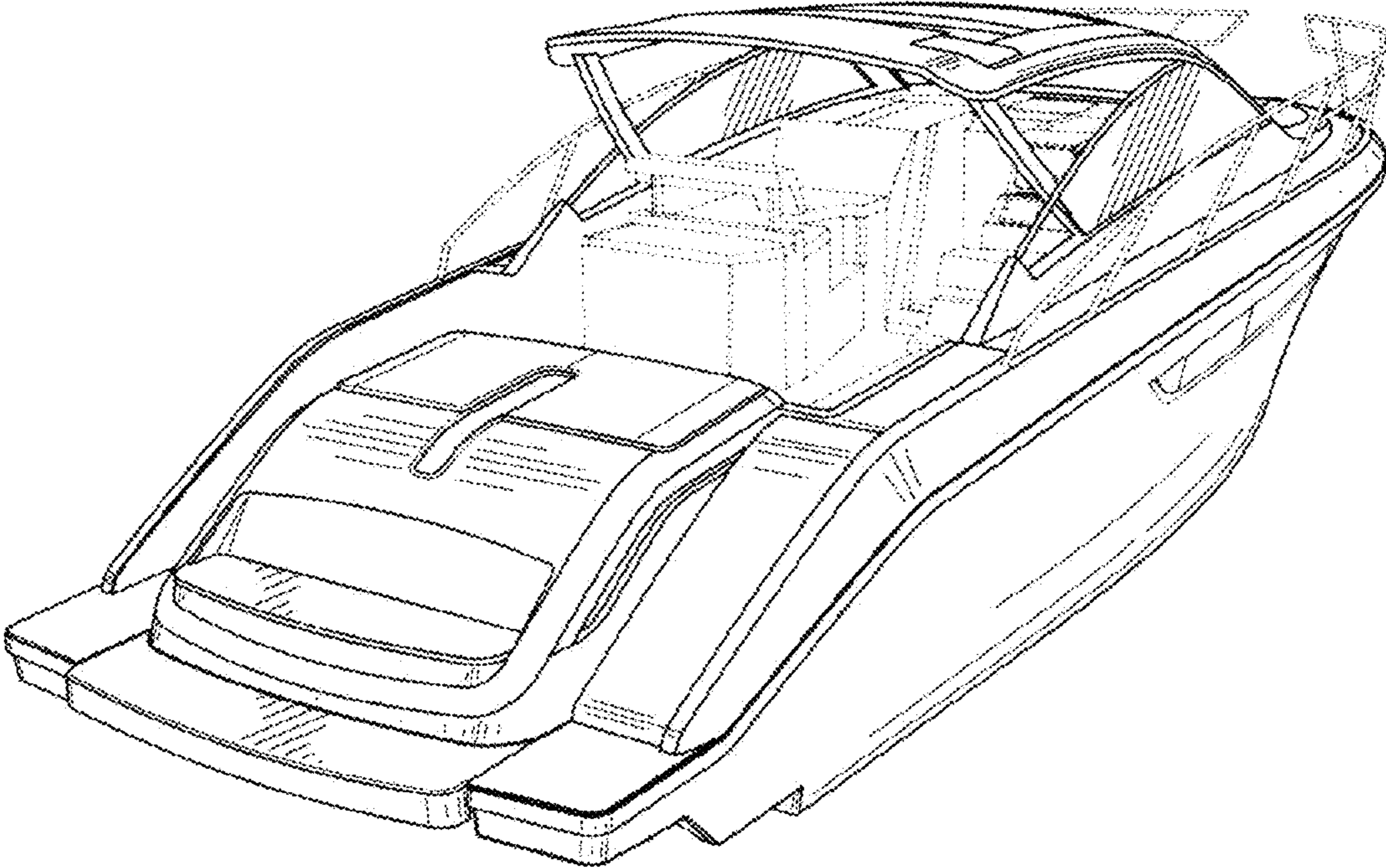


FIG. 1

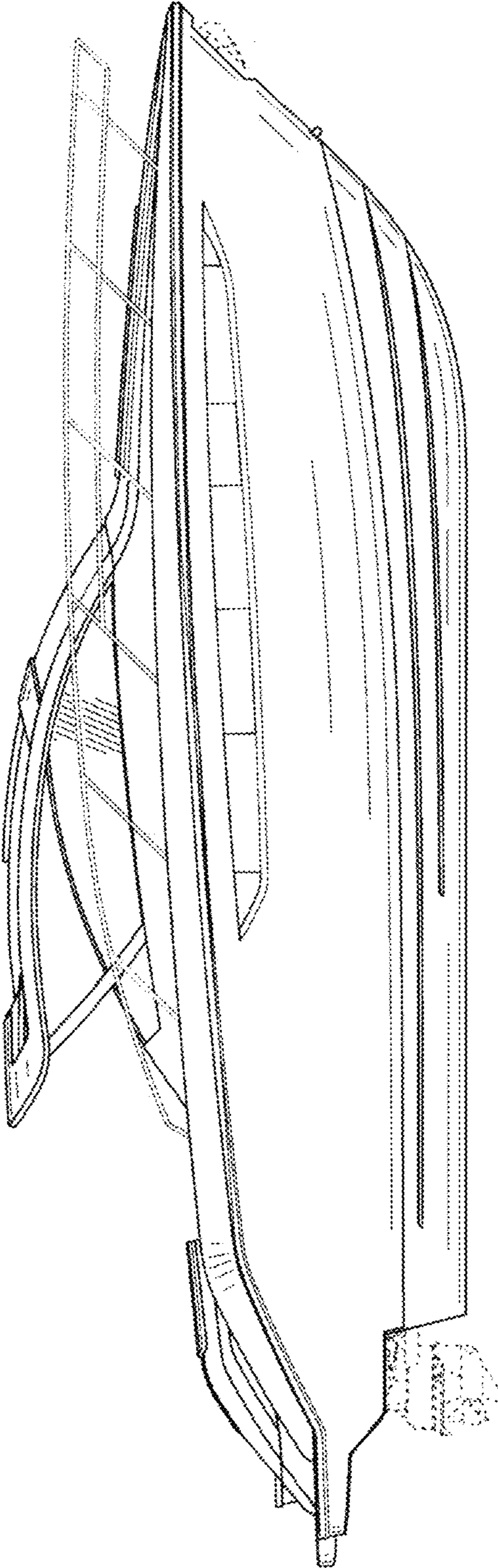


FIG. 2

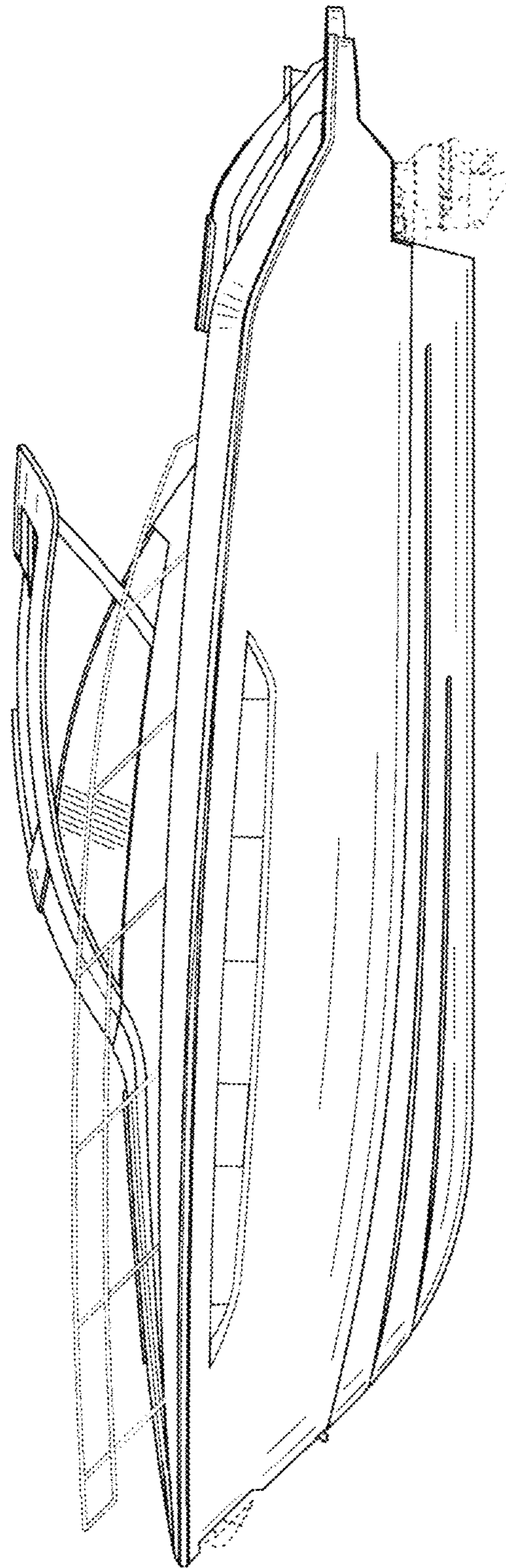


FIG. 3

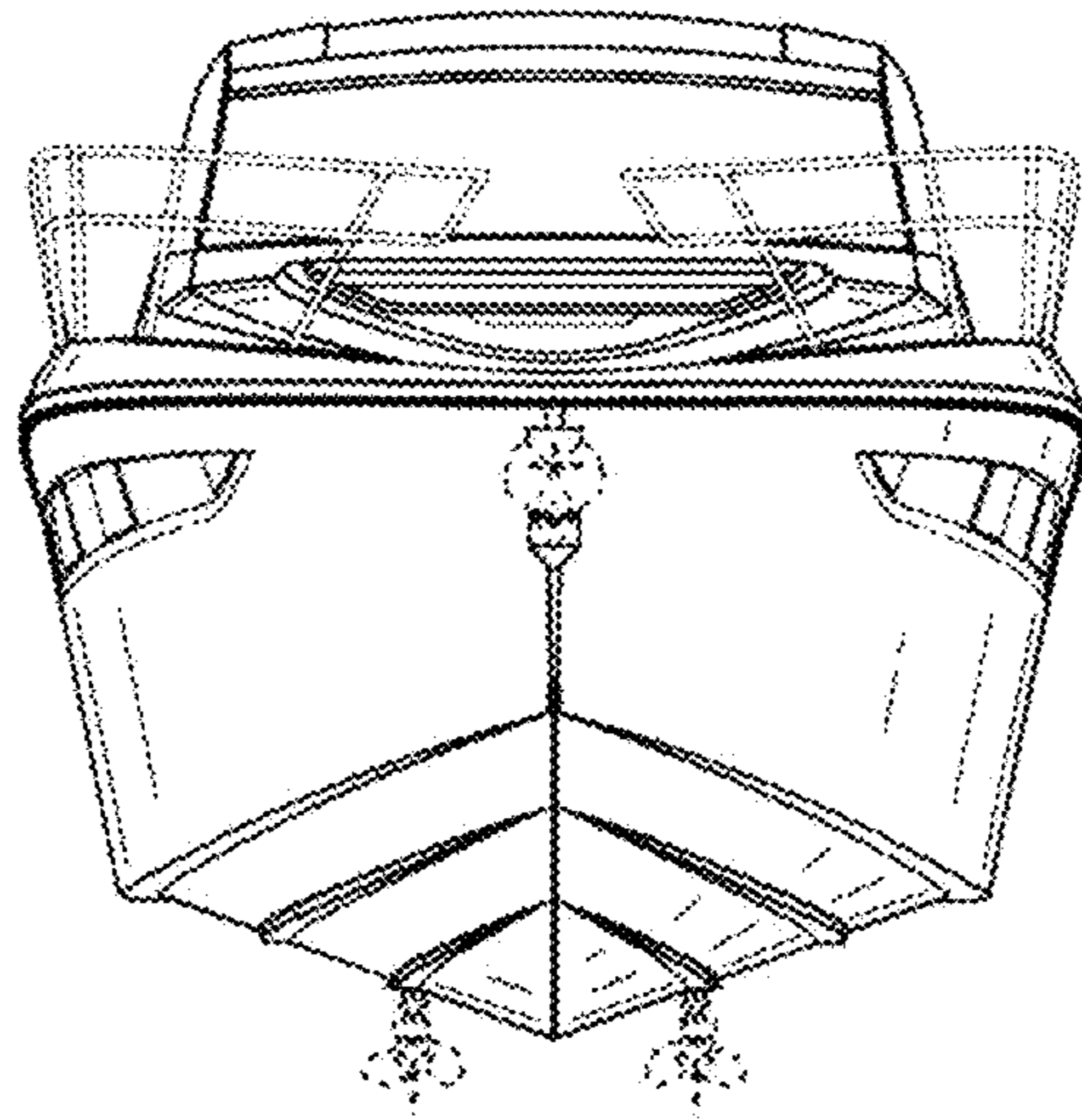


FIG. 4

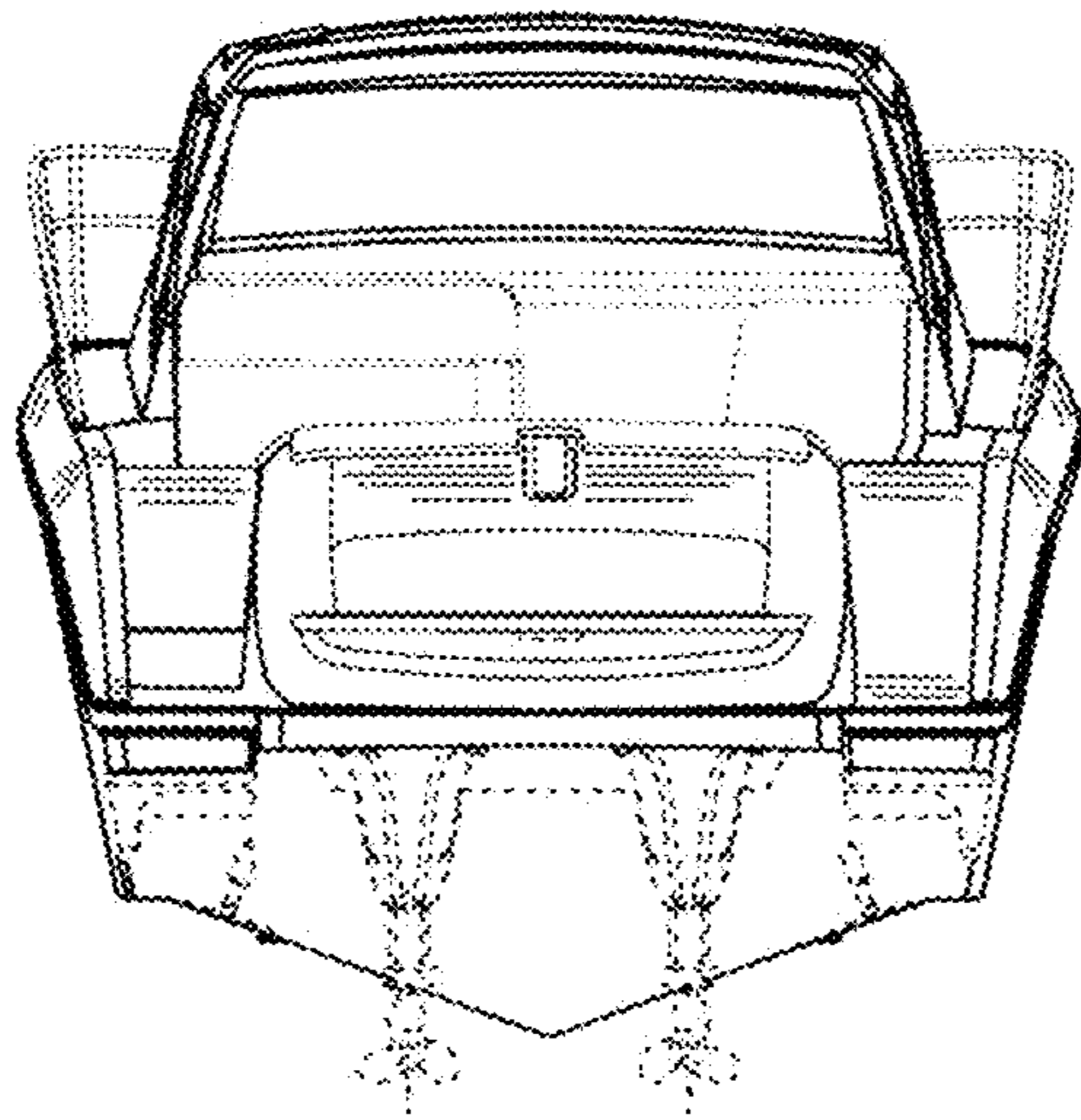


FIG. 5