



US00D700126S

(12) **United States Design Patent**
An

(10) **Patent No.:** **US D700,126 S**

(45) **Date of Patent:** **** Feb. 25, 2014**

(54) **WIPER FOR A VEHICLE**

(56) **References Cited**

(71) Applicant: **KCW Corporation**, Daegu (KR)

U.S. PATENT DOCUMENTS

(72) Inventor: **Jaehyuck An**, Daegu (KR)

D680,051 S * 4/2013 Tolentino et al. D12/219

(73) Assignee: **KCW Corporation**, Daegu (KR)

D685,713 S * 7/2013 Wang D12/219

(**) Term: **14 Years**

D686,555 S * 7/2013 Song et al. D12/219

(21) Appl. No.: **29/442,827**

D686,556 S * 7/2013 Song et al. D12/219

(22) Filed: **May 24, 2013**

D686,557 S * 7/2013 Kwon D12/219

D692,818 S * 11/2013 Tolentino et al. D12/219

D692,819 S * 11/2013 Tolentino et al. D12/220

2012/0317740 A1 * 12/2012 Yang et al. 15/250.32

2012/0324671 A1 * 12/2012 Pinto et al. 15/250.32

2012/0324672 A1 * 12/2012 Pinto et al. 15/250.48

* cited by examiner

Related U.S. Application Data

Primary Examiner — Katrina A Betton

(62) Division of application No. 29/402,067, filed on Sep. 20, 2011, now Pat. No. Des. 687,759.

(74) *Attorney, Agent, or Firm* — Edwards Wildman Palmer LLP

(30) **Foreign Application Priority Data**

(57) **CLAIM**
The ornamental design for wiper for a vehicle, as shown and described.

Jul. 22, 2011 (KR) 30-2011-0030557

Jul. 22, 2011 (KR) 30-2011-0030558

(51) **LOC (10) Cl.** **12-06**

(52) **U.S. Cl.**
USPC **D12/219**

(58) **Field of Classification Search**
USPC D12/219-220; 15/246, 247, 250.001, 15/250.4, 250.361, 250.19, 250.48, 15/250.03, 250.31-250.33, 250.351, 15/250.38, 250.201, 250.451, 250.458, 15/250.04, 250.07, 250.44

See application file for complete search history.

DESCRIPTION

FIG. 1 is a perspective view of a wiper for a vehicle according to the present invention.

FIG. 2 is a front view of the wiper of FIG. 1.

FIG. 3 is a rear view of the wiper of FIG. 1.

FIG. 4 is an enlarged left side view of the wiper of FIG. 1.

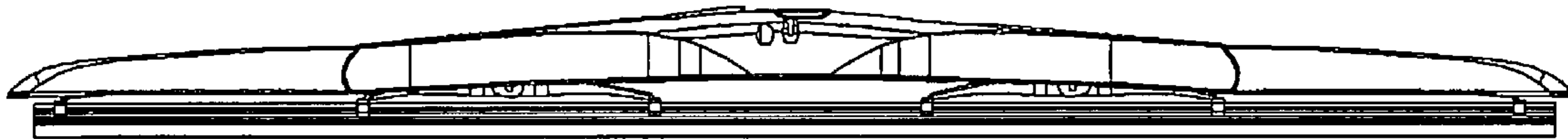
FIG. 5 is an enlarged right side view of the wiper of FIG. 1.

FIG. 6 is a top view of the wiper of FIG. 1.

FIG. 7 is a bottom view of the wiper of FIG. 1; and,

FIG. 8 is an enlarged perspective view of the center portion of the wiper of FIG. 1.

1 Claim, 8 Drawing Sheets



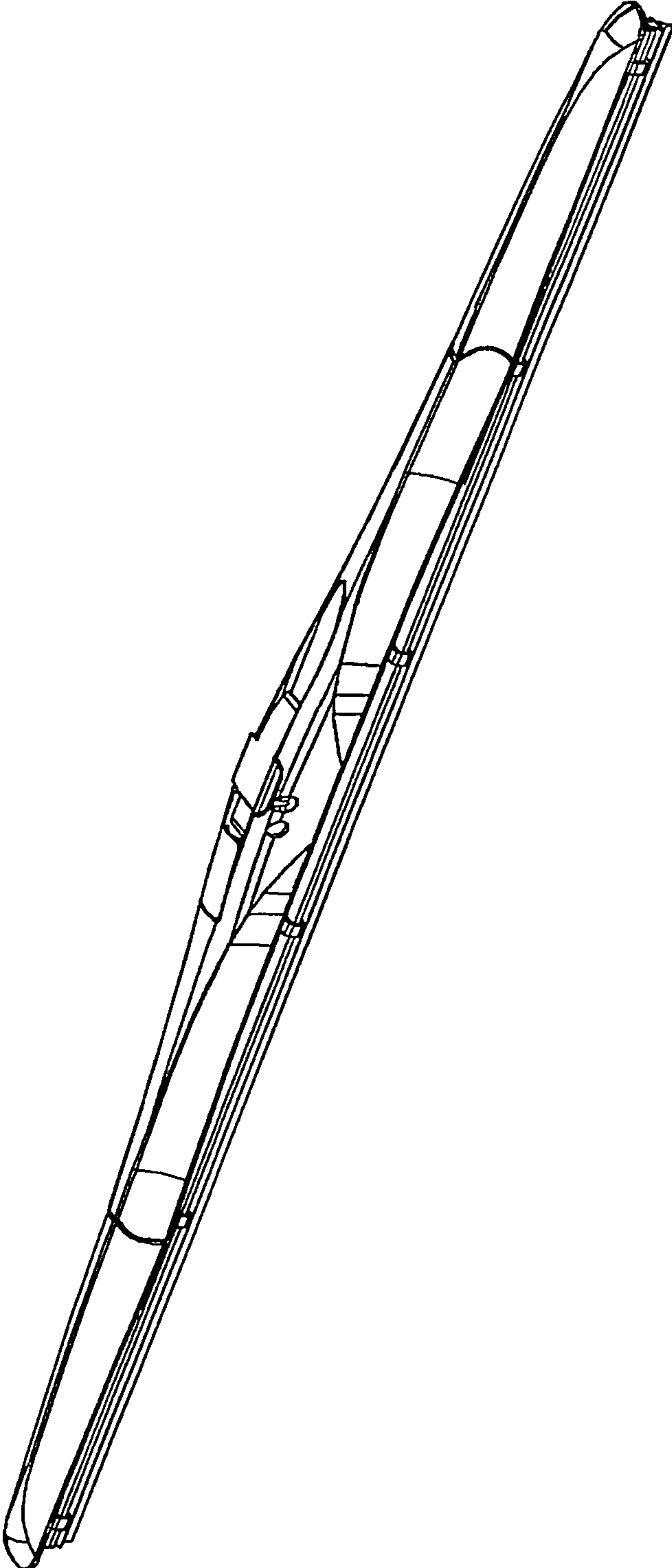


FIG. 1

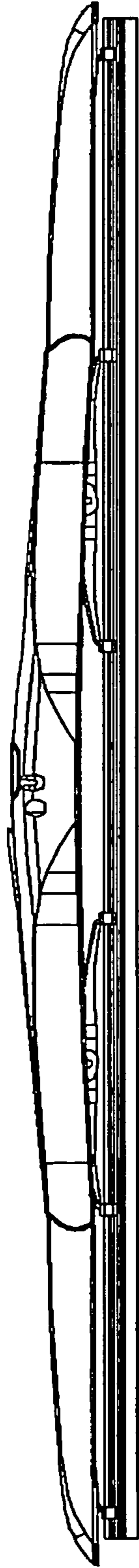


FIG. 2

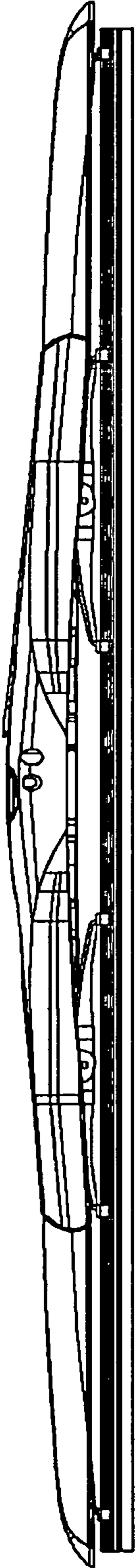


FIG. 3

FIG. 4

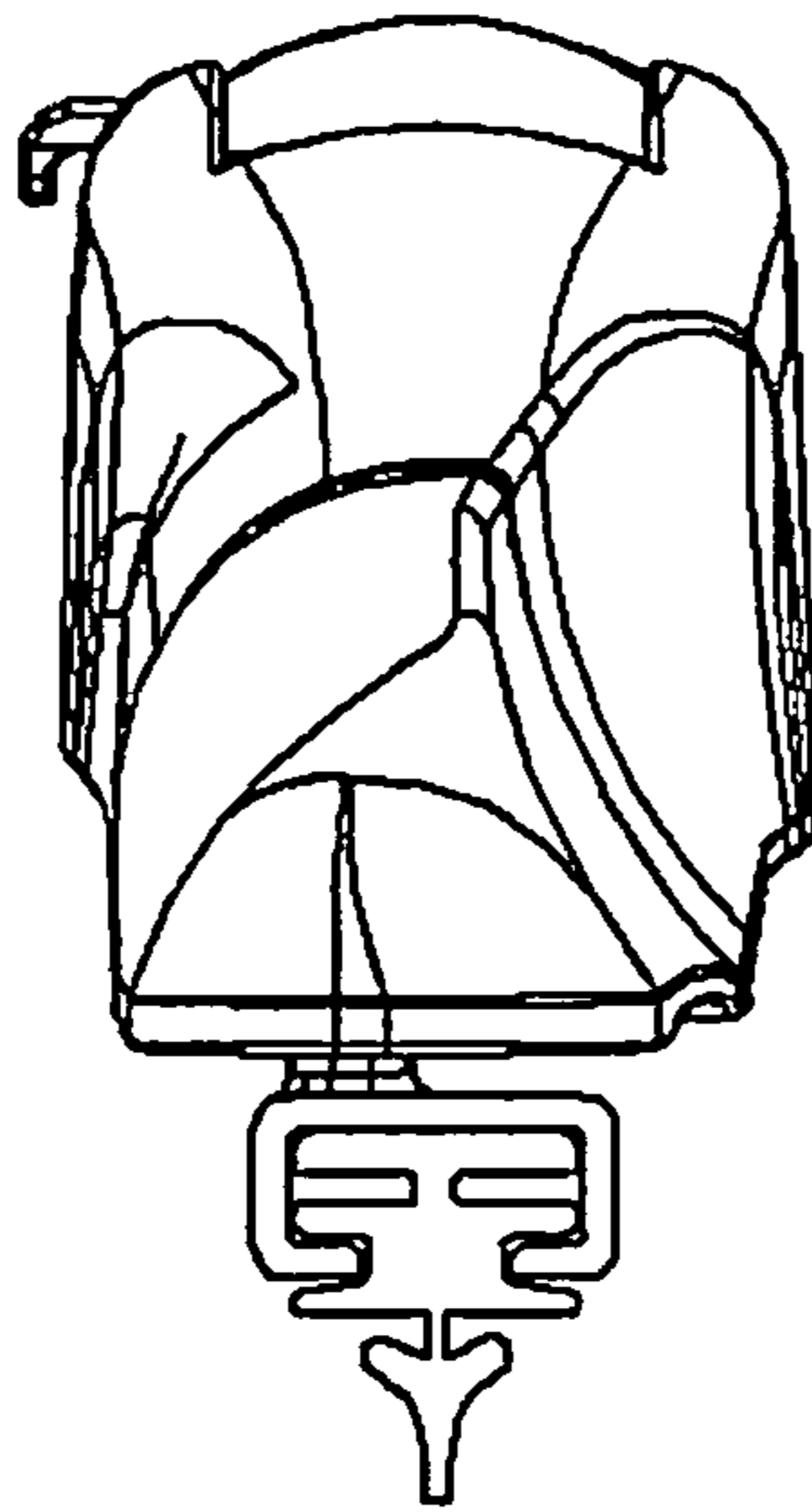
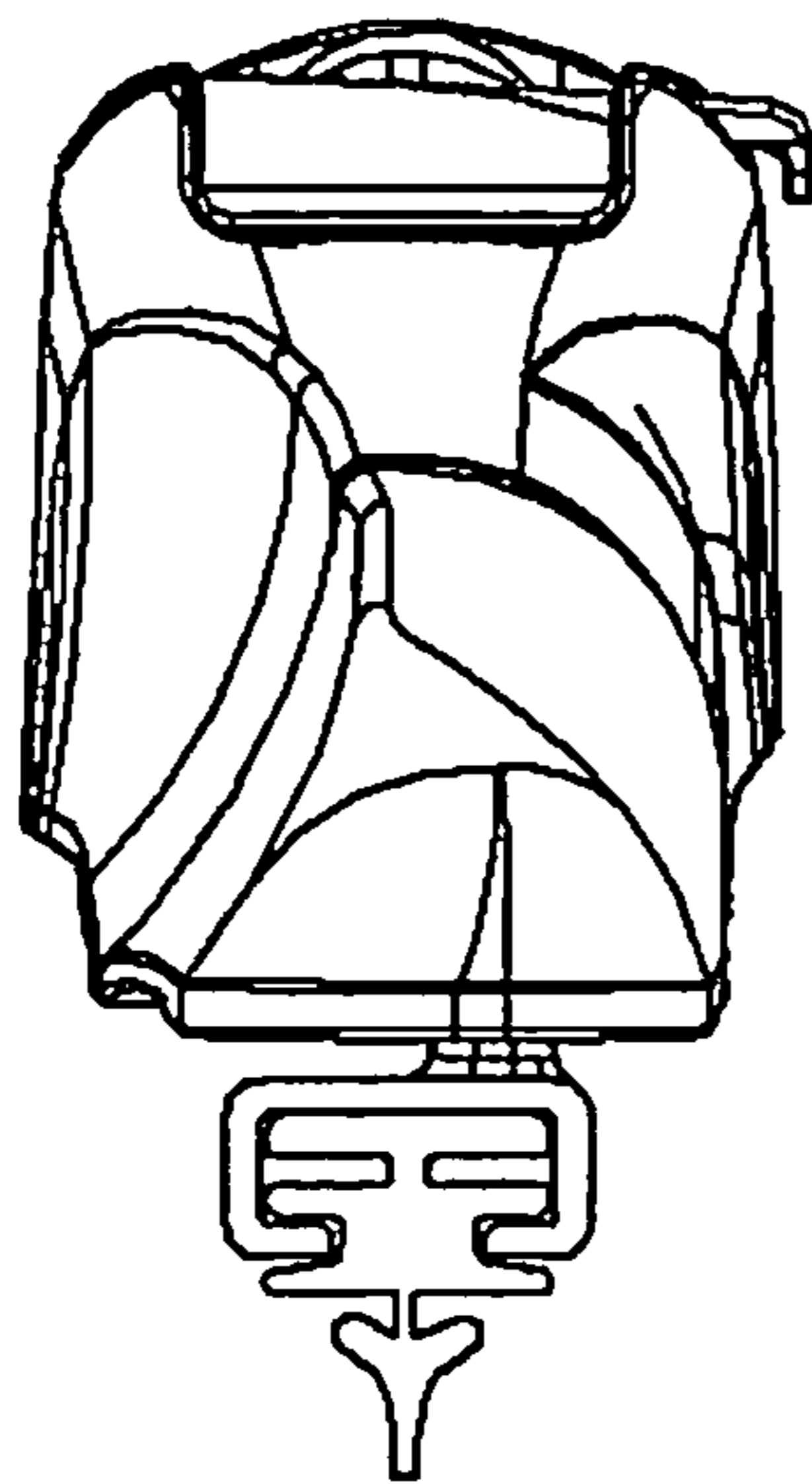


FIG. 5



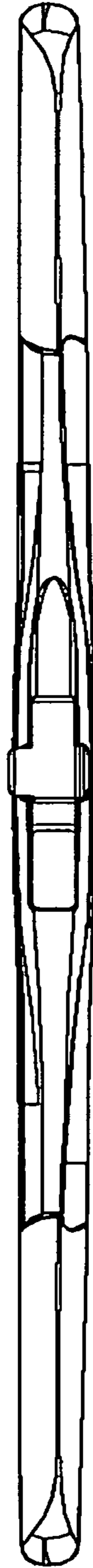


FIG. 6

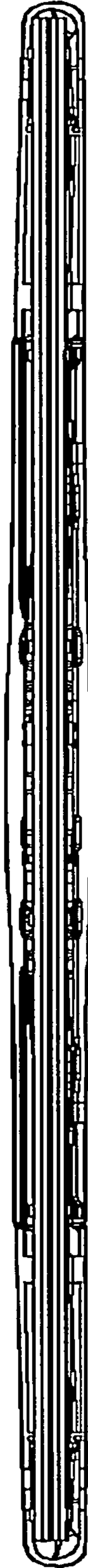


FIG. 7

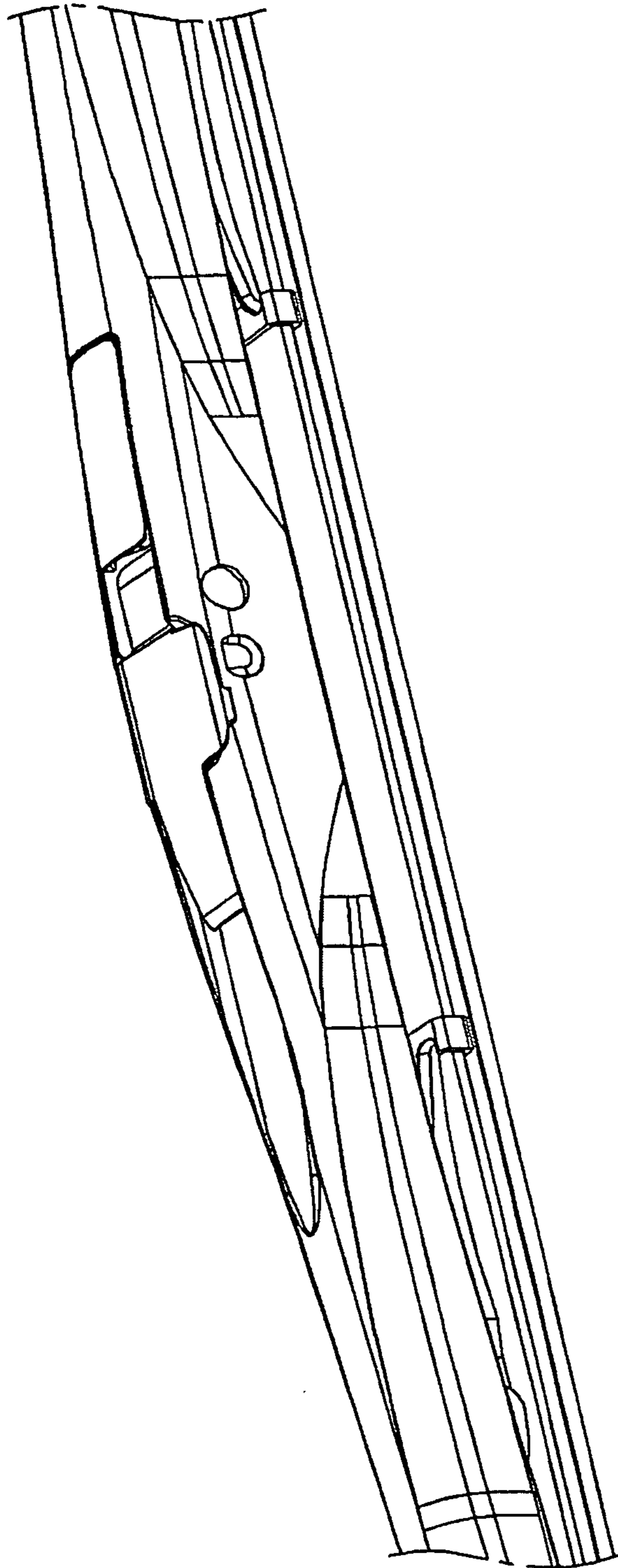


FIG. 8