



US00D700121S

(12) **United States Design Patent**  
**Okue et al.**

(10) **Patent No.:** **US D700,121 S**

(45) **Date of Patent:** **\*\* Feb. 25, 2014**

(54) **DOOR PANEL FOR AN AUTOMOBILE**

D659,622 S \* 5/2012 Matsumoto et al. .... D12/196  
D674,328 S \* 1/2013 Ikuma et al. .... D12/196  
D686,957 S \* 7/2013 Kwon et al. .... D12/196

(75) Inventors: **Masaki Okue**, Toyota (JP); **Akira Kubota**, Toyota (JP)

**OTHER PUBLICATIONS**

(73) Assignee: **Toyota Jidosha Kabushiki Kaisha** (JP)

Nissan, Nissan Qashqai 2010, Netcarshow.com, [http://www.netcarshow.com/nissan/2010-qashqai/1024x768/wallpaper\\_0c.htm](http://www.netcarshow.com/nissan/2010-qashqai/1024x768/wallpaper_0c.htm), available at least as early as Aug. 8, 2011.  
Mitsubishi, Mitsubishi Outlander SE, Netcarshow.com, [http://www.netcarshow.com/mitsubishi/2008-outlander\\_se/1024x768/wallpaper\\_08.htm](http://www.netcarshow.com/mitsubishi/2008-outlander_se/1024x768/wallpaper_08.htm), available in 2009.

(\*\*) Term: **14 Years**

\* cited by examiner

(21) Appl. No.: **29/429,228**

(22) Filed: **Aug. 8, 2012**

(51) **LOC (10) Cl.** ..... **12-16**

(52) **U.S. Cl.**

USPC ..... **D12/196**

(58) **Field of Classification Search**

USPC ..... D12/196, 90-92, 86; 296/181.1, 181.5  
See application file for complete search history.

*Primary Examiner* — Melody Brown

(74) *Attorney, Agent, or Firm* — SAIDMAN DesignLaw Group

(57) **CLAIM**

The ornamental design for a door panel for an automobile, as shown and described.

(56) **References Cited**

**DESCRIPTION**

**U.S. PATENT DOCUMENTS**

D245,975 S \* 10/1977 Tixier ..... D12/196  
D309,287 S \* 7/1990 Envall et al. .... D12/196  
D312,804 S \* 12/1990 Okano ..... D12/196  
D420,964 S \* 2/2000 Sacco et al. .... D12/196  
D442,131 S \* 5/2001 Pfeiffer ..... D12/196  
D479,700 S \* 9/2003 Boyer ..... D12/196  
7,111,894 B2 \* 9/2006 Kora et al. .... 296/146.1  
D556,111 S \* 11/2007 Levy ..... D12/196  
D598,355 S \* 8/2009 Sato et al. .... D12/196  
D653,596 S \* 2/2012 Tomatsu et al. .... D12/196  
D659,619 S \* 5/2012 Hakamata et al. .... D12/196

FIG. 1 is a front perspective view of a door panel for an automobile showing our new design;  
FIG. 2 is a rear perspective view thereof;  
FIG. 3 is a front view thereof;  
FIG. 4 is a rear view thereof;  
FIG. 5 is a top view thereof;  
FIG. 6 is a bottom view thereof;  
FIG. 7 is a right side view thereof; and,  
FIG. 8 is a left side view thereof.

**1 Claim, 4 Drawing Sheets**



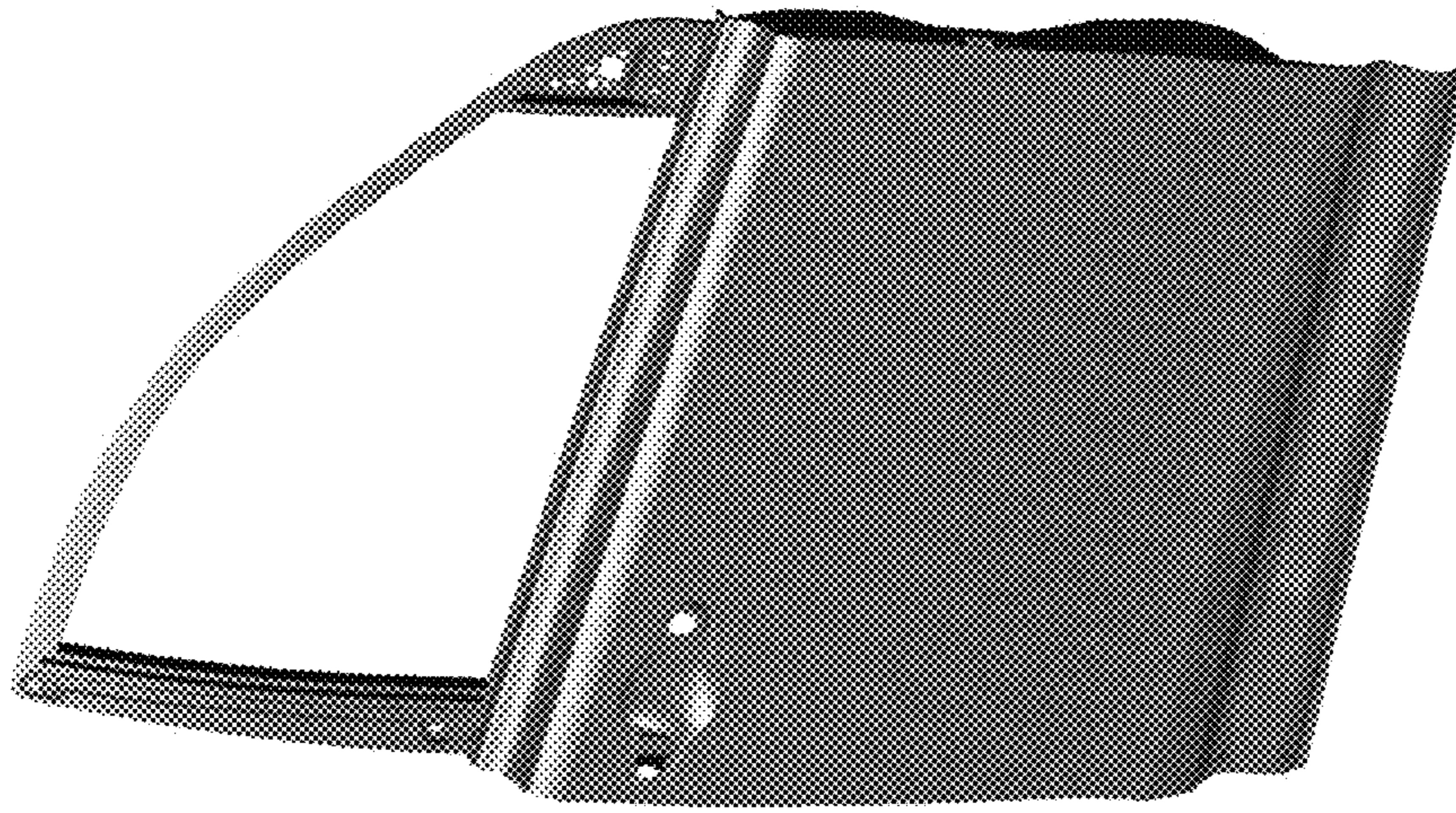


FIG. 1

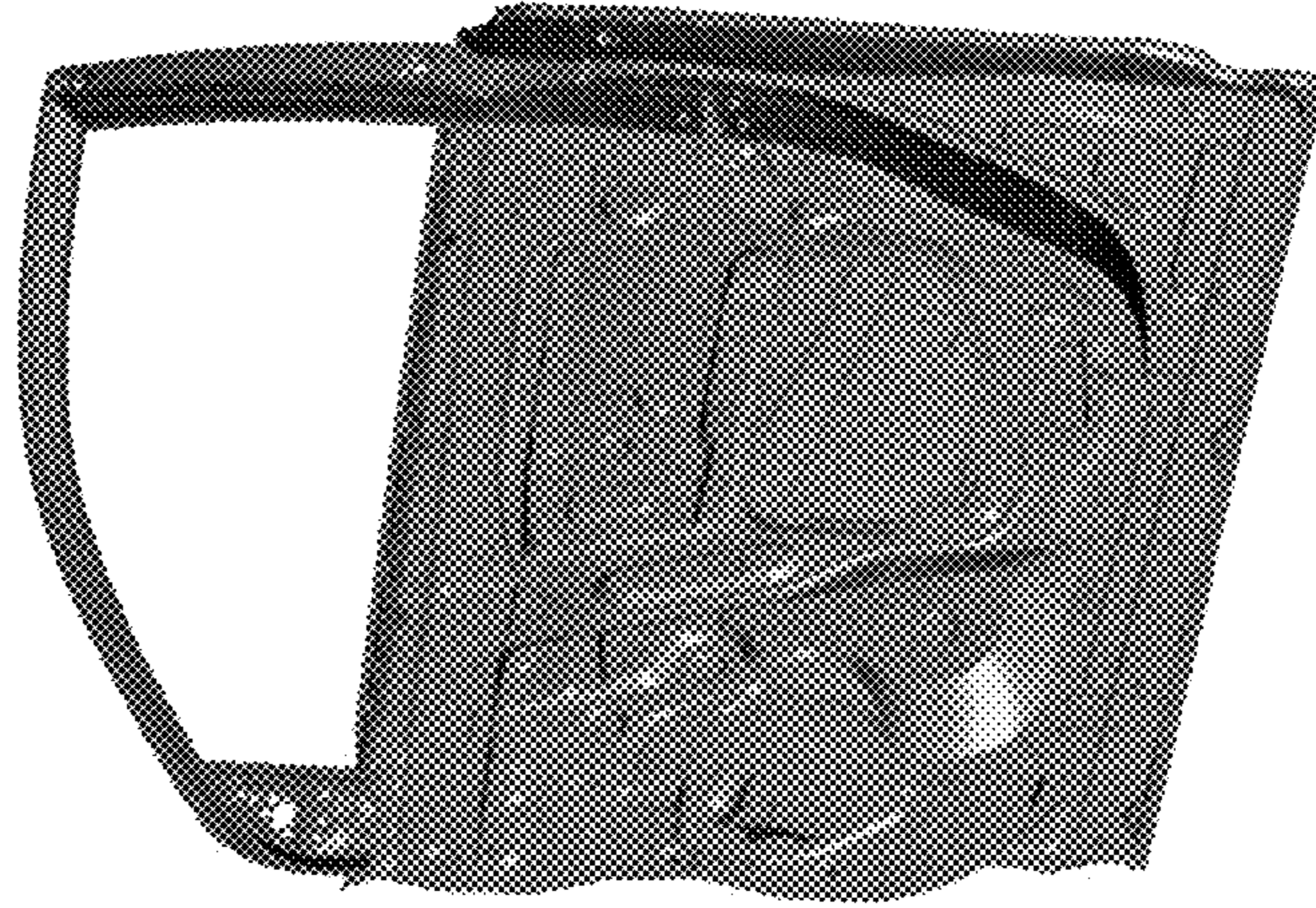


FIG. 2

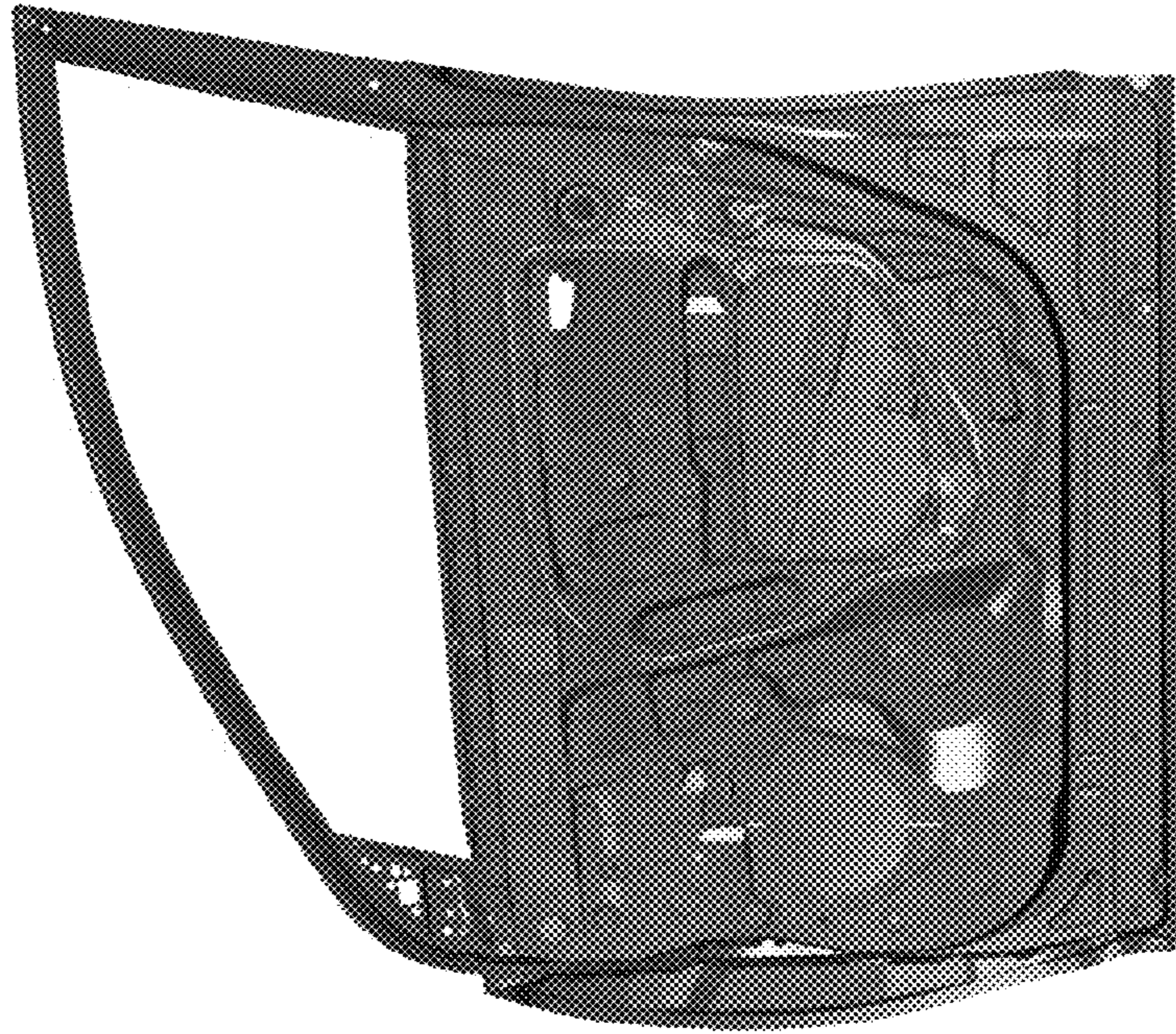


FIG. 4

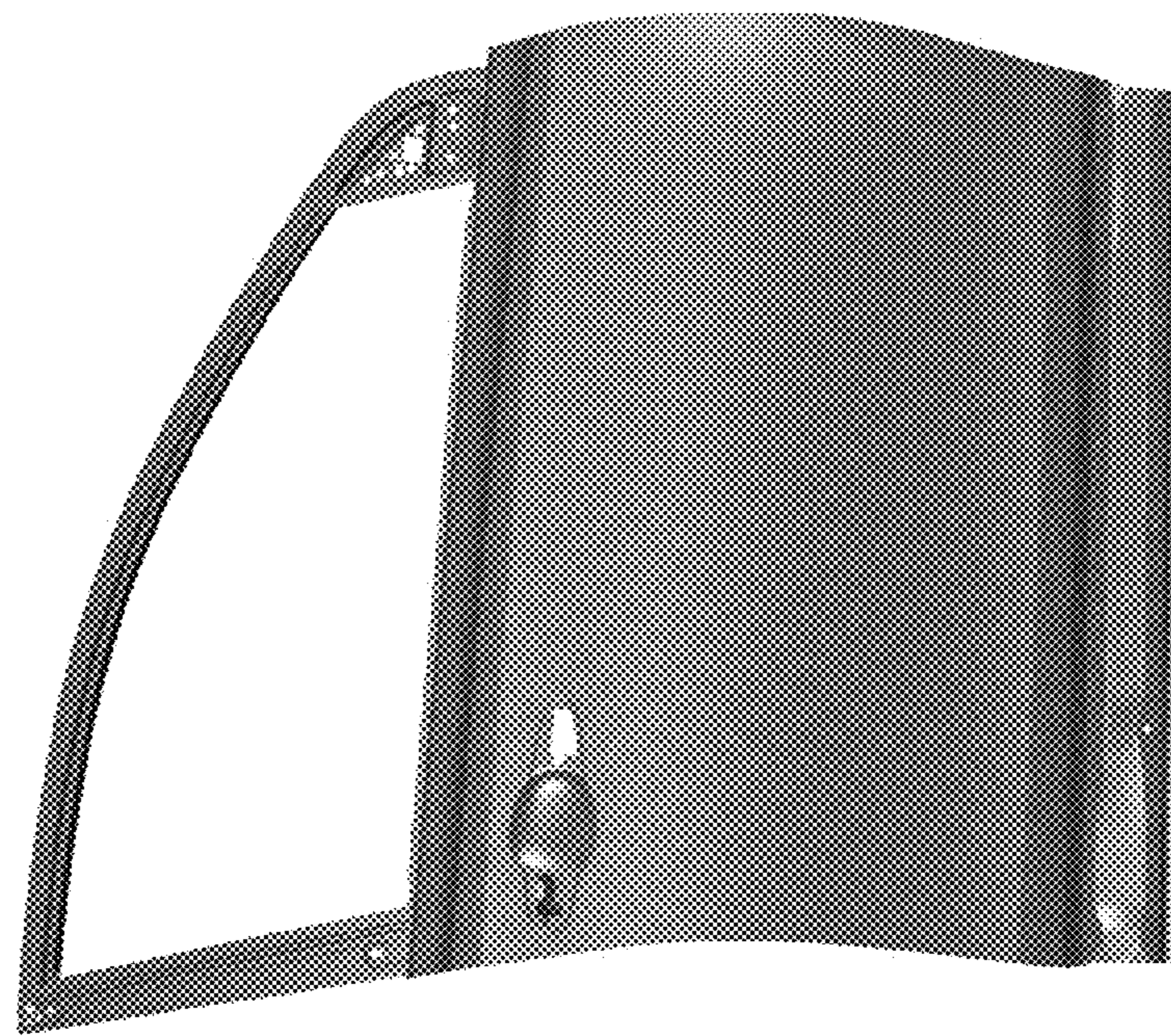


FIG. 3

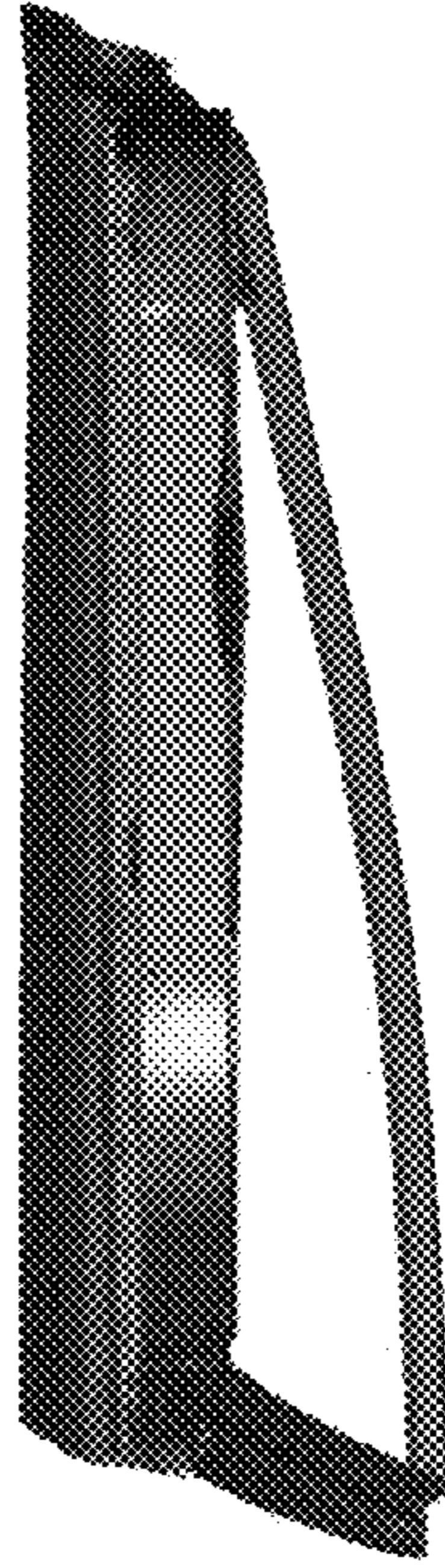


FIG. 5

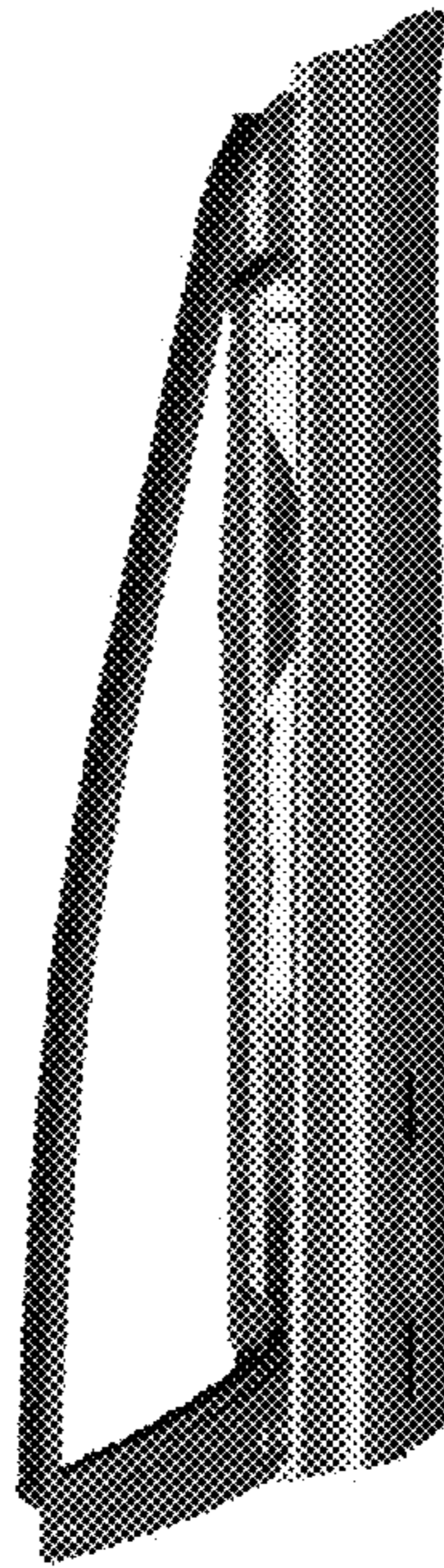


FIG. 6

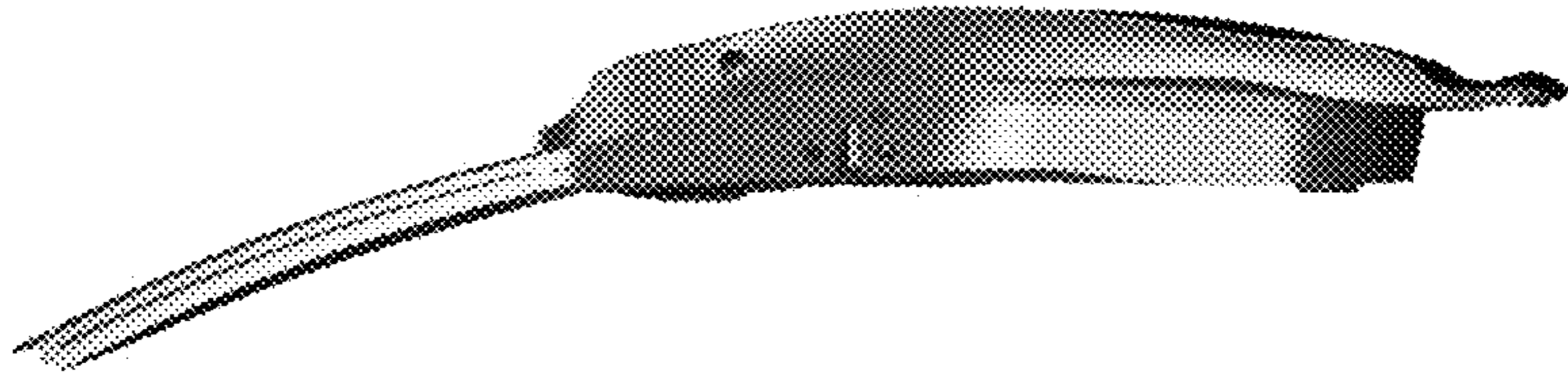


FIG. 8

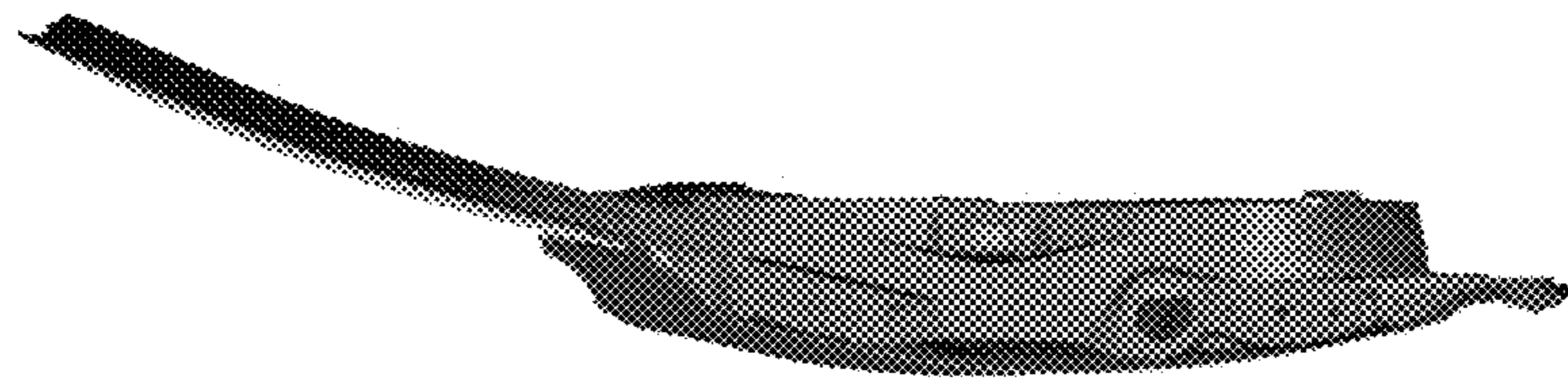


FIG. 7