



US00D700117S

(12) **United States Design Patent**
Rupar

(10) **Patent No.:** **US D700,117 S**

(45) **Date of Patent:** **** Feb. 25, 2014**

(54) **VEHICLE HOOD**

D645,800 S * 9/2011 Kumai et al. D12/173
D655,653 S * 3/2012 Lamm et al. D12/173
D662,013 S * 6/2012 Hakamata et al. D12/173

(75) Inventor: **Ernesto Rupar**, Cologne (DE)

(73) Assignee: **Ford Motor Company**, Dearborn, MI (US)

(**) Term: **14 Years**

(21) Appl. No.: **29/429,653**

(22) Filed: **Aug. 15, 2012**

(51) **LOC (10) Cl.** **12-16**

(52) **U.S. Cl.**
USPC **D12/173**

(58) **Field of Classification Search**
USPC D12/173, 196, 90-92, 164; 180/69.2,
180/69.21

See application file for complete search history.

(56) **References Cited**

U.S. PATENT DOCUMENTS

D580,324 S 11/2008 Lamm
D597,899 S * 8/2009 Di Buduo D12/173
D598,341 S * 8/2009 George et al. D12/173
D600,610 S * 9/2009 Lamm D12/173
D620,852 S * 8/2010 Froehlich D12/173
D644,579 S * 9/2011 Messale D12/173

OTHER PUBLICATIONS

Jeff Sabatine 2013 Ford Fiesta Reveals Fusion-Like Face, Autoblog, Jun. 5, 2013 <http://www.autoblog.com/2012/06/05/2013-ford-fiesta-reveals-fusion-like-face/>.

* cited by examiner

Primary Examiner — Melody N. Brown

(74) *Attorney, Agent, or Firm* — Damian Porcari

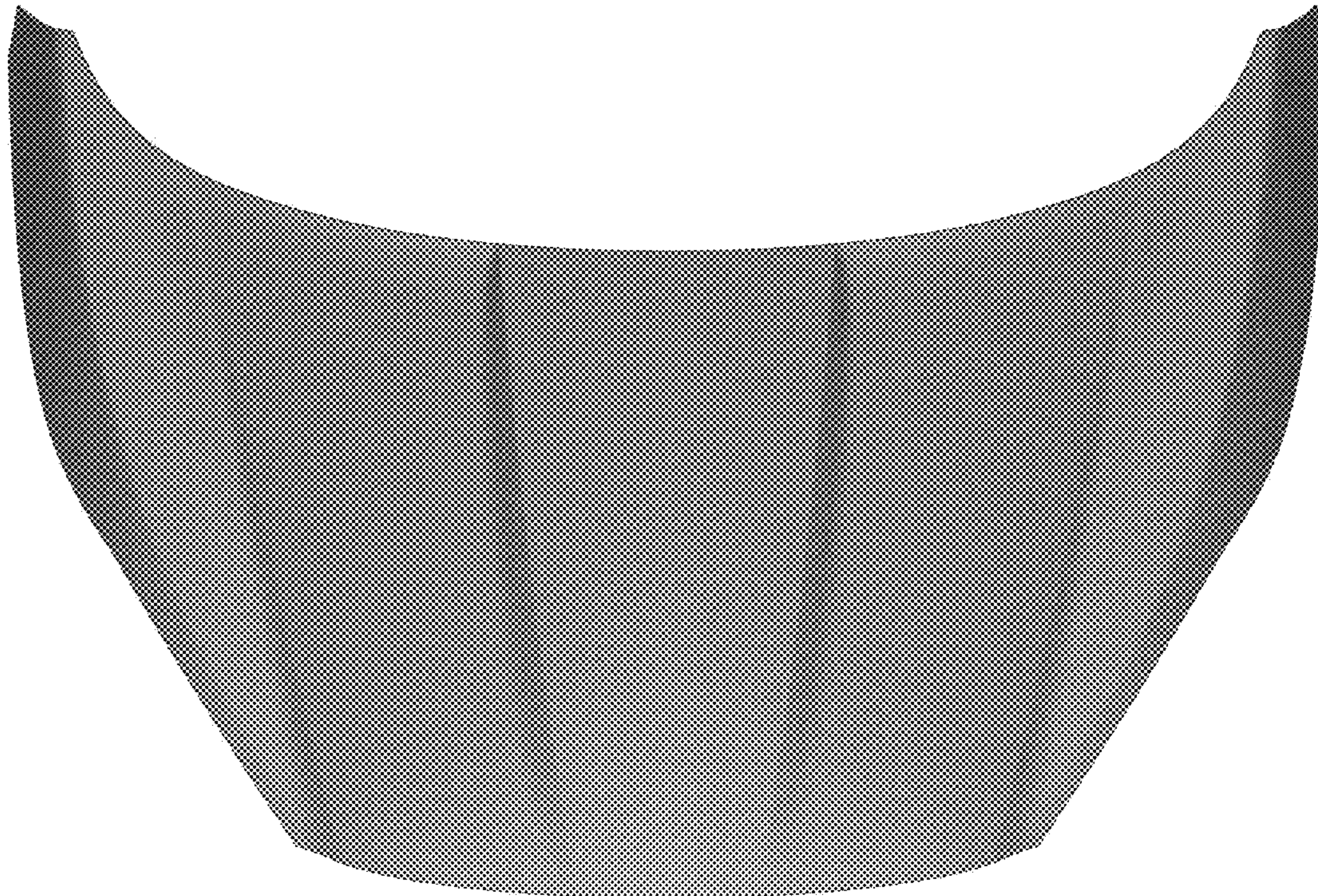
(57) **CLAIM**

The ornamental design for a vehicle hood, shown and described.

DESCRIPTION

FIG. 1 is a top plan view of a vehicle hood;
FIG. 2 is a bottom plan view of the vehicle hood;
FIG. 3 is a front elevational view of the vehicle hood;
FIG. 4 is a left side elevational view of the vehicle hood;
FIG. 5 is a right side elevational view of the vehicle hood;
FIG. 6 is a perspective view of the vehicle hood; and,
FIG. 7 is another perspective view of the vehicle hood.

1 Claim, 7 Drawing Sheets



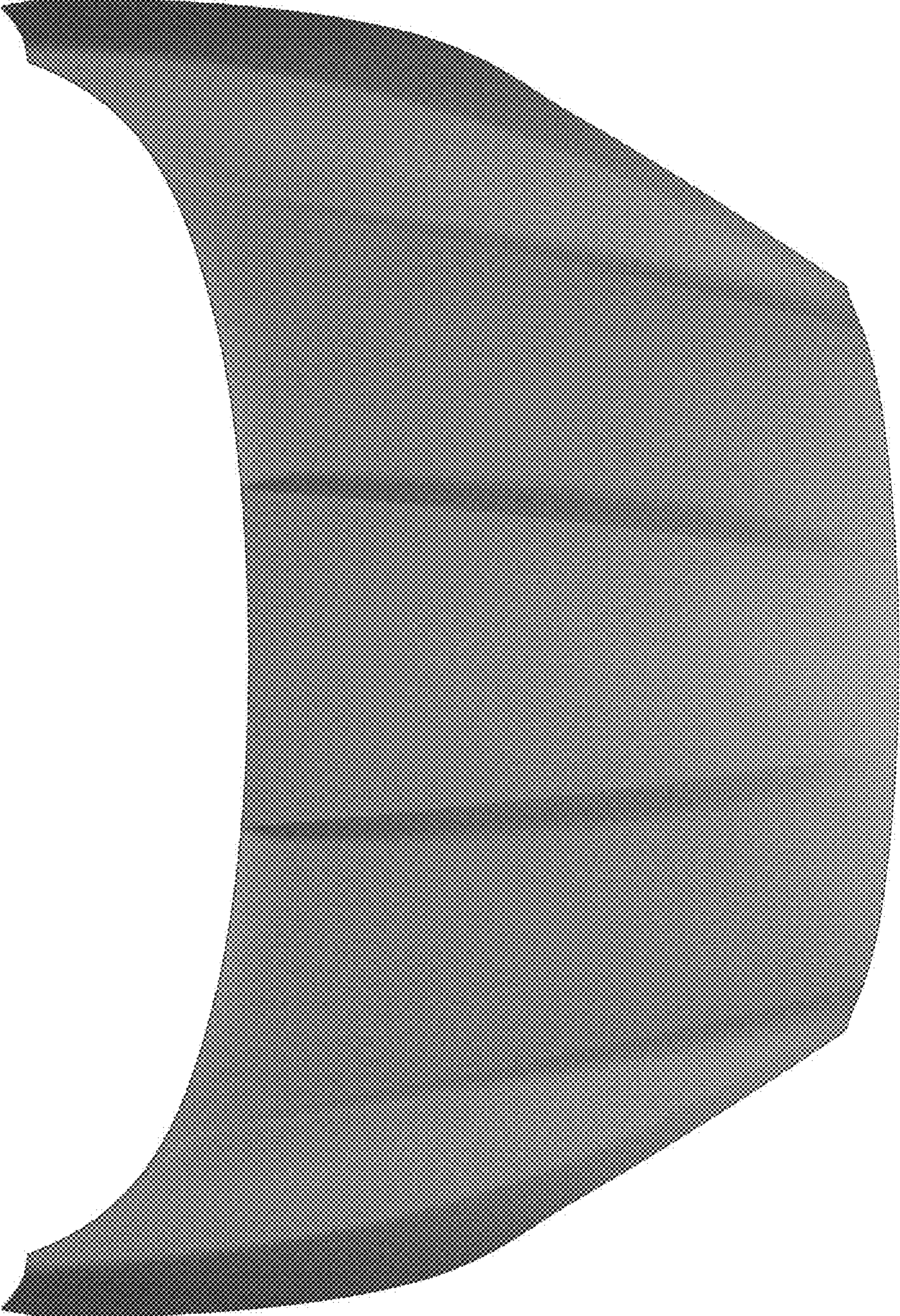
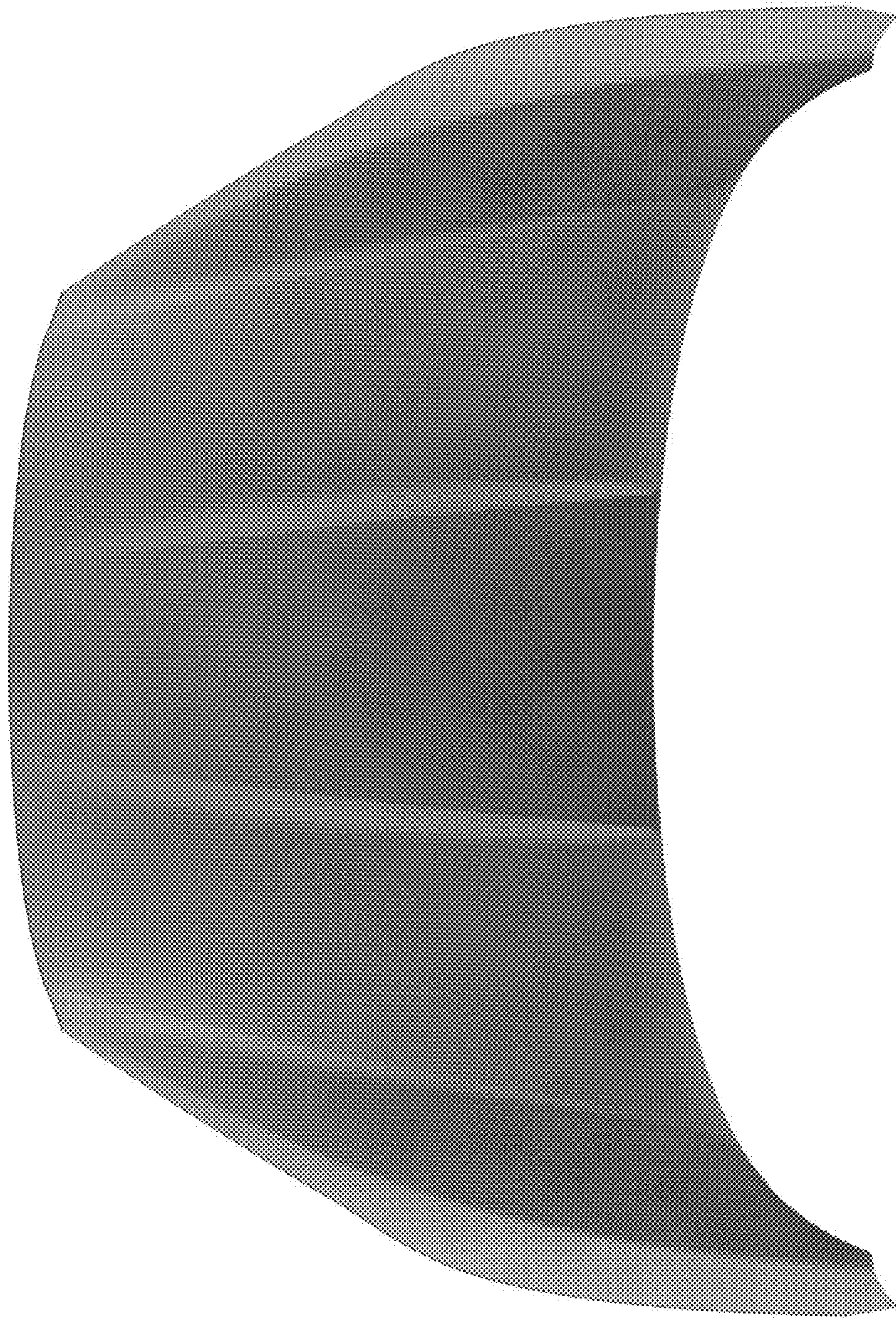


Figure 1

Figure 2



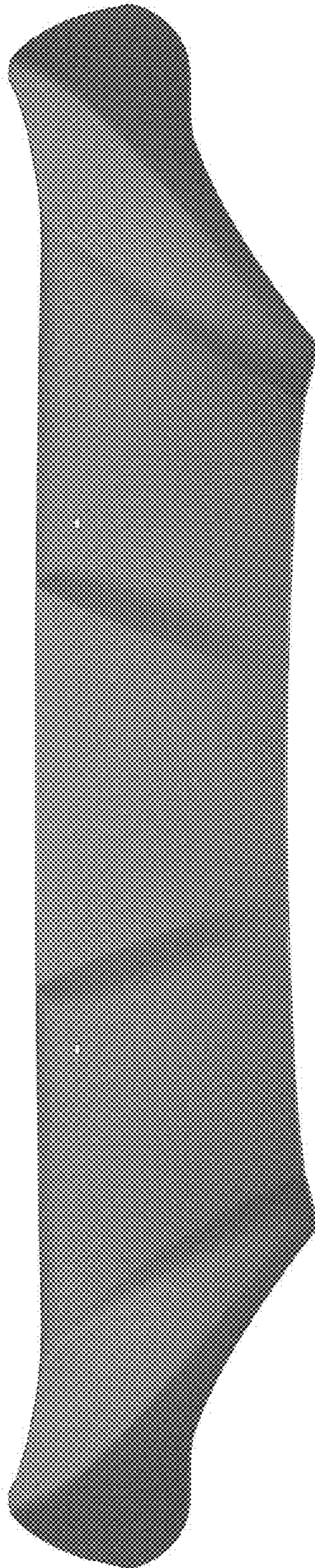


Figure 3

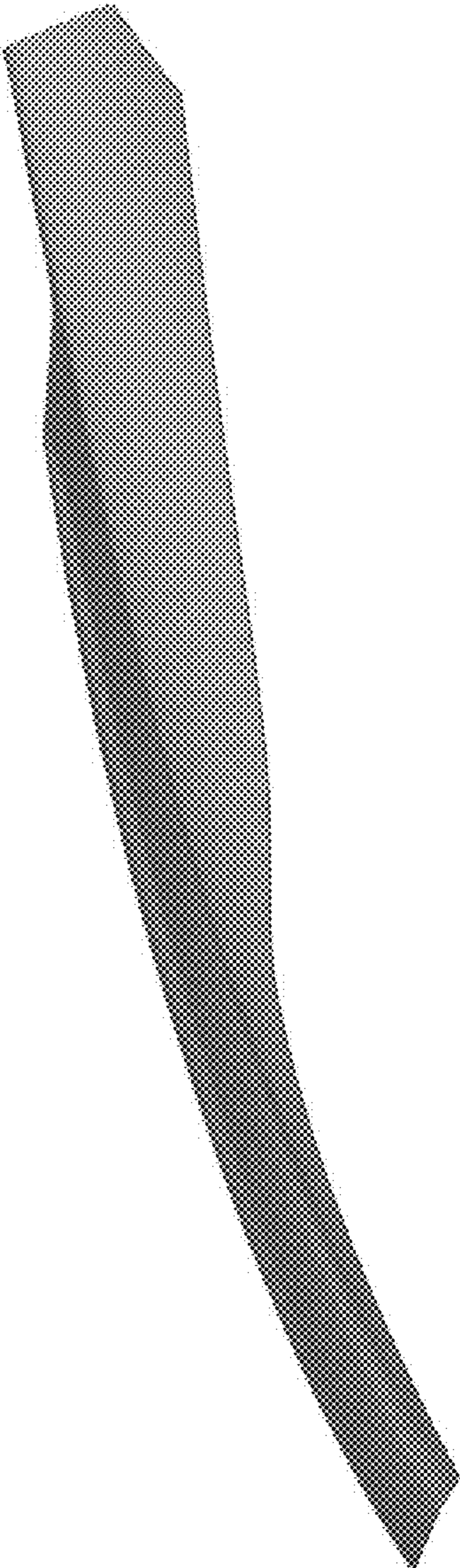


Figure 4

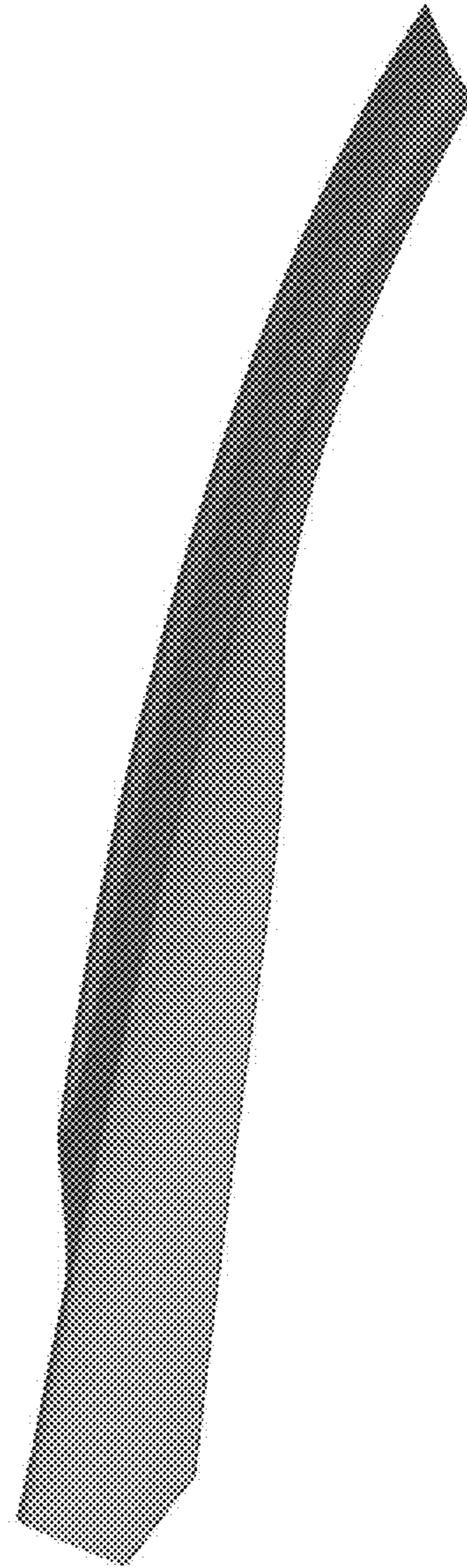


Figure 5



Figure 6



Figure 7