



US00D700115S

(12) **United States Design Patent**
Okumoto

(10) **Patent No.:** **US D700,115 S**

(45) **Date of Patent:** **** Feb. 25, 2014**

(54) **REAR BUMPER FOR AN AUTOMOBILE**

(56) **References Cited**

(71) Applicant: **Honda Motor Co., Ltd.**, Tokyo (JP)

U.S. PATENT DOCUMENTS

(72) Inventor: **Toshiyuki Okumoto**, Wako (JP)

D637,123	S	*	5/2011	Lamm et al.	D12/169
D671,052	S	*	11/2012	Fetherston et al.	D12/169
D671,054	S	*	11/2012	Yamada et al.	D12/169
D671,055	S	*	11/2012	Nakamura et al.	D12/169
D673,088	S	*	12/2012	Thompson	D12/169
D680,479	S	*	4/2013	Frei et al.	D12/169
D687,752	S	*	8/2013	Fetherston et al.	D12/169

(73) Assignee: **Honda Motor Co., Ltd.**, Tokyo (JP)

(**) Term: **14 Years**

* cited by examiner

(21) Appl. No.: **29/437,689**

Primary Examiner — Melody Brown

(22) Filed: **Nov. 20, 2012**

(74) *Attorney, Agent, or Firm* — Plumsea Law Group, LLC

(30) **Foreign Application Priority Data**

(57) **CLAIM**

The ornamental design for, a rear bumper for an automobile, as shown and described.

May 25, 2012 (JP) 2012-012389

DESCRIPTION

(51) **LOC (10) Cl.** **12-16**

FIG. 1 is a perspective view of a rear bumper for an automobile, showing our new design;
FIG. 2 is a front elevation view thereof;
FIG. 3 is a top plan view thereof; and,
FIG. 4 is a right side elevation view thereof.
The broken lines are for illustrative purposes only and form no part of the claimed design.

(52) **U.S. Cl.**

USPC **D12/169**

(58) **Field of Classification Search**

USPC D12/169, 216, 90-92, 86, 171, 196,
D12/163; 293/102, 113, 115, 117, 120;
296/180.1, 180.2

See application file for complete search history.

1 Claim, 4 Drawing Sheets

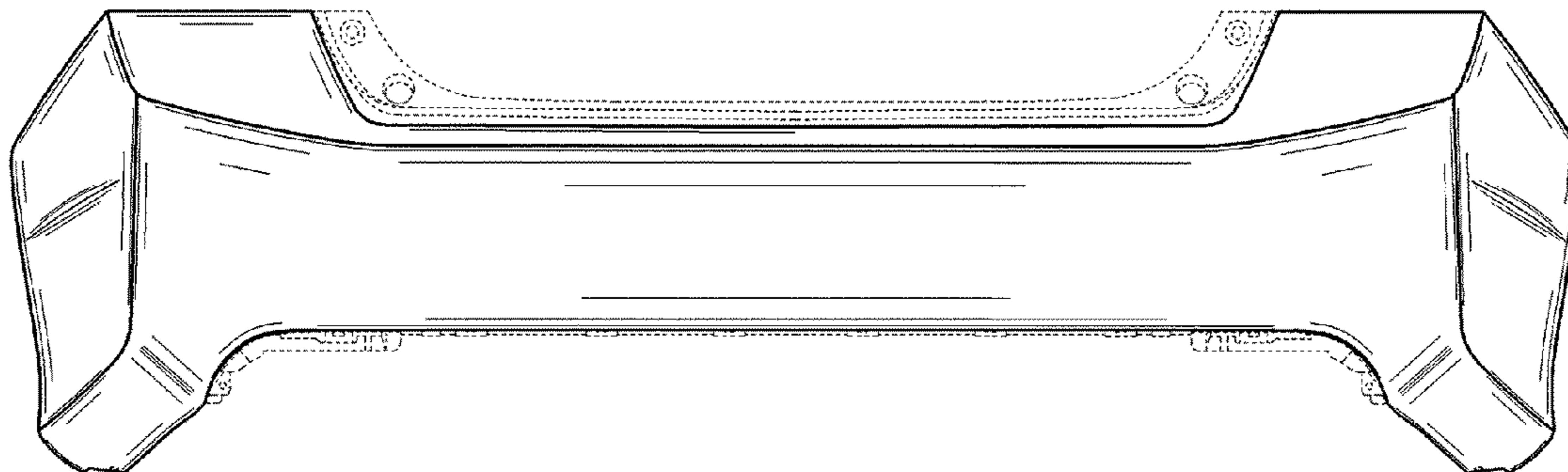


FIG. 1

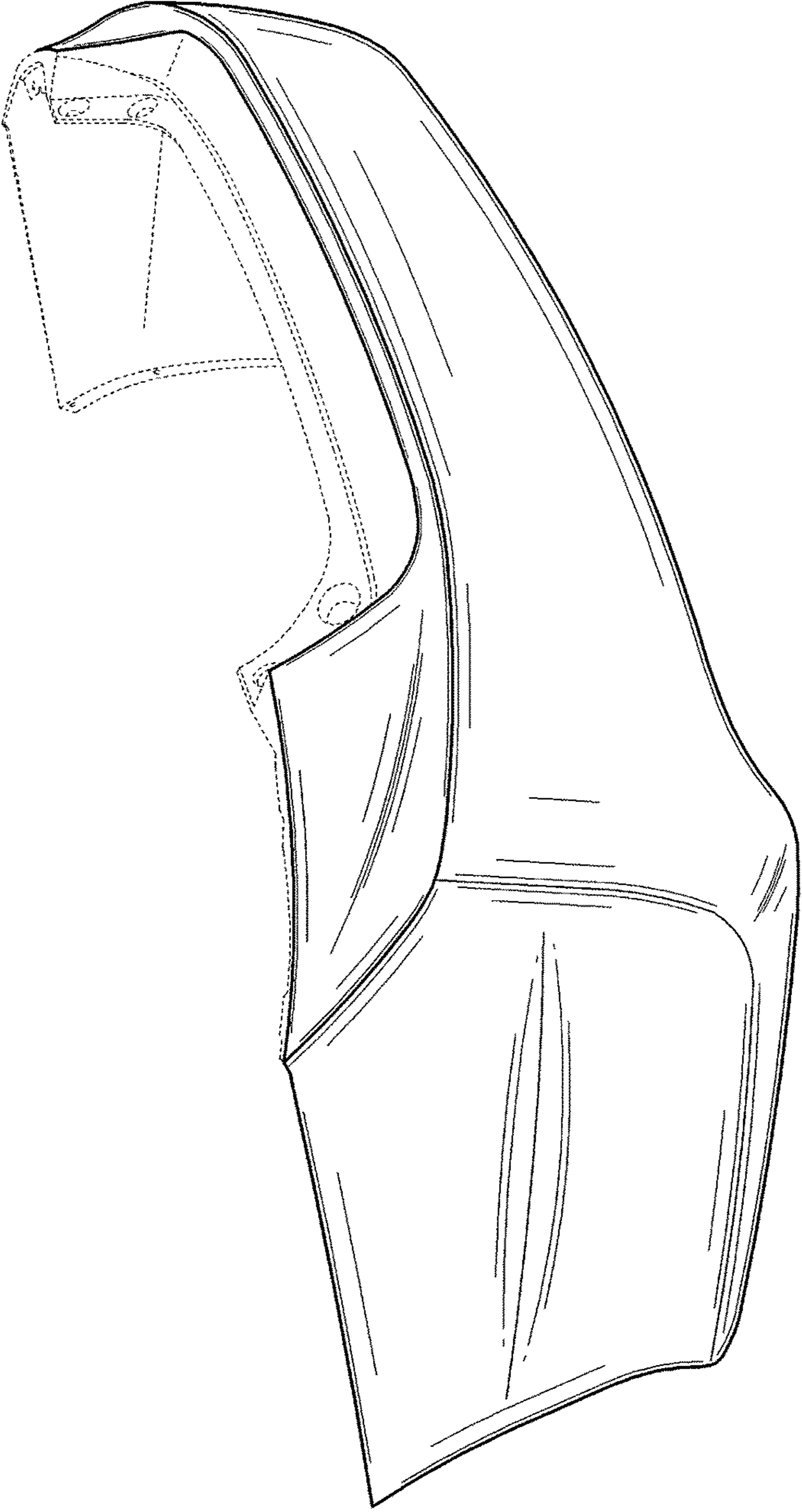


FIG. 2

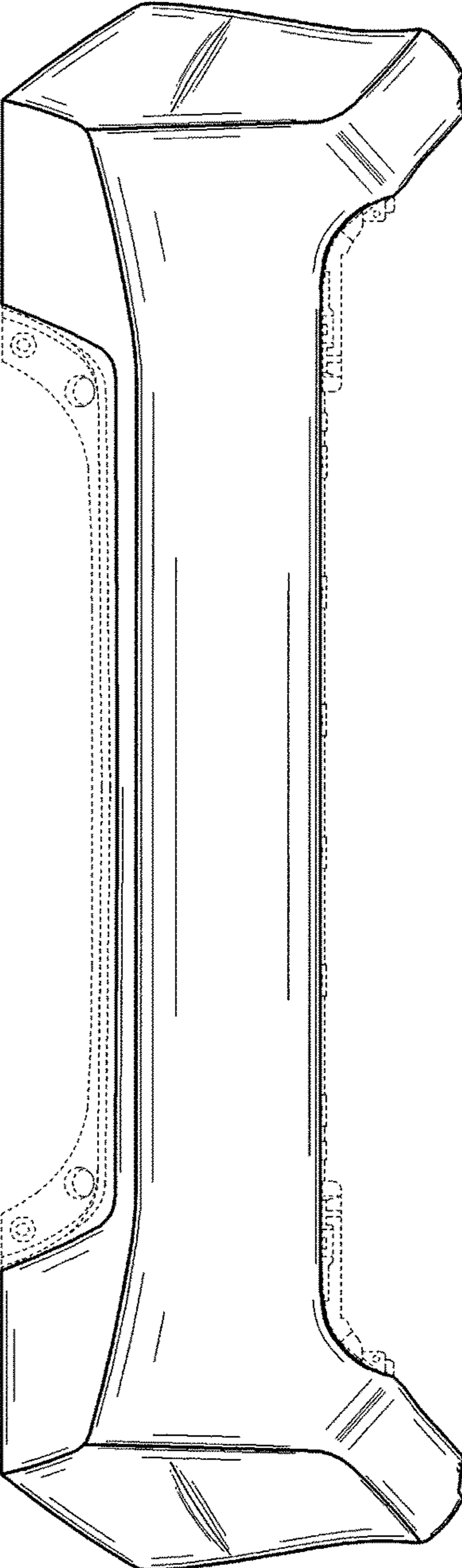


FIG. 3

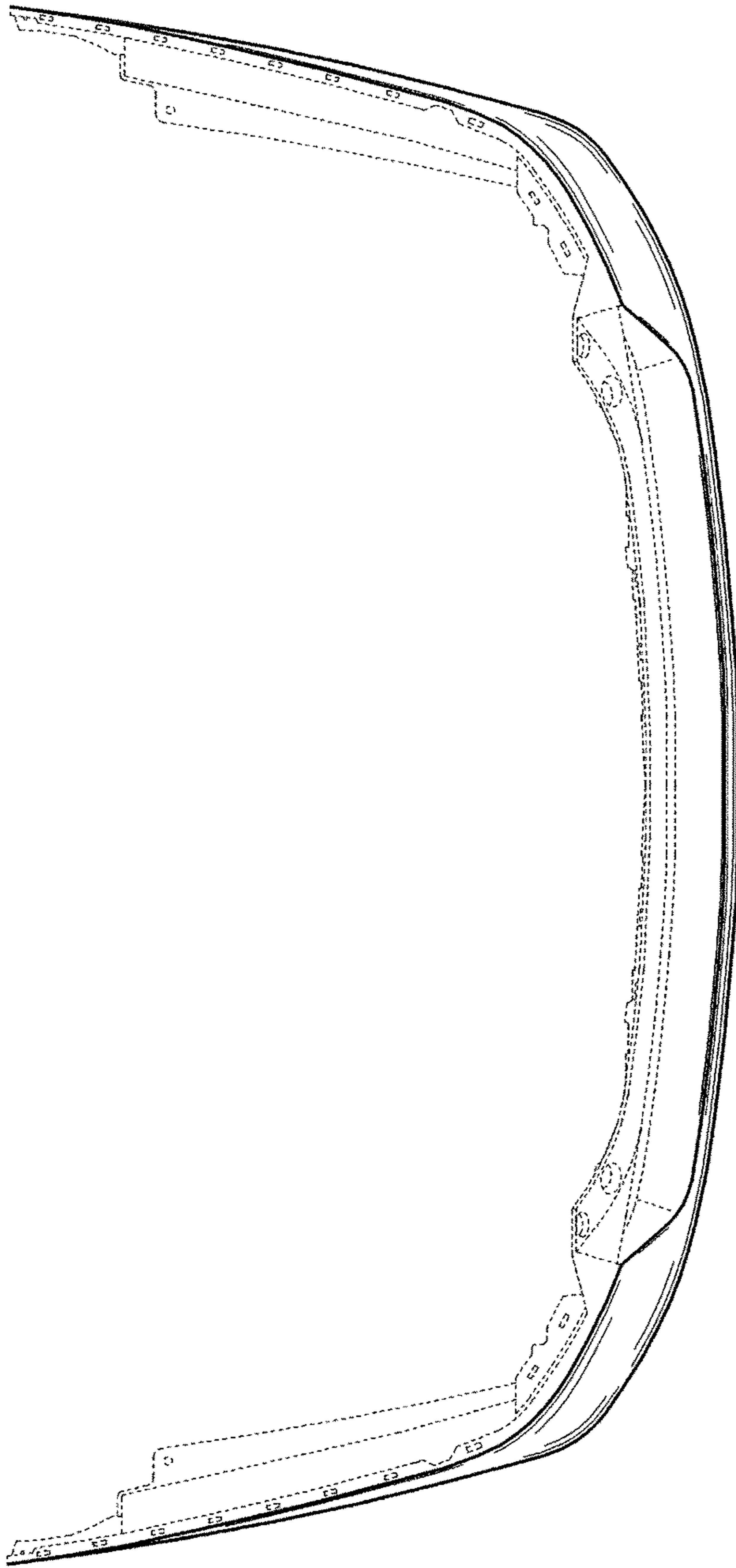


FIG. 4

