



US00D700111S

(12) **United States Design Patent**
Pacholyk et al.

(10) **Patent No.:** **US D700,111 S**
(45) **Date of Patent:** **** Feb. 25, 2014**

- (54) **AERODYNAMIC DEVICE FOR TRAILERS AND THE LIKE**
- (71) Applicants: **Thomas W. Pacholyk**, Weedsport, NY (US); **Jill M. Pacholyk**, Weedsport, NY (US)
- (72) Inventors: **Thomas W. Pacholyk**, Weedsport, NY (US); **Jill M. Pacholyk**, Weedsport, NY (US)

5,280,990 A	1/1994	Rinard	
5,641,192 A	6/1997	Smith et al.	
7,104,591 B1	9/2006	Sanns	
D542,185 S *	5/2007	Remington	D12/103
D544,815 S *	6/2007	Williams	D12/101
D546,245 S *	7/2007	Heard	D12/102
7,651,114 B2 *	1/2010	Weber et al.	280/477
7,795,837 B1 *	9/2010	Haun et al.	320/101
7,992,666 B2	8/2011	Otterstrom	
D662,461 S *	6/2012	Fu et al.	D12/601
8,308,213 B1 *	11/2012	Sharkey	296/26.12
2009/0256386 A1	10/2009	Wood	

(**) Term: **14 Years**

* cited by examiner

(21) Appl. No.: **29/438,087**

Primary Examiner — Katrina A Betton

(22) Filed: **Nov. 26, 2012**

(74) *Attorney, Agent, or Firm* — Richard L Miller

(51) **LOC (10) Cl.** **12-10**

(57) **CLAIM**

(52) **U.S. Cl.**
USPC **D12/106**

The ornamental design for an aerodynamic device for trailers and the like, as shown and described.

(58) **Field of Classification Search**
USPC D12/101–106, 19, 129, 111, 112;
D21/425, 435; D34/21–26, 12, 16–19;
280/204, 205, 63, 475, 482, 647;
296/168, 180, 180.2, 61, 10,
296/100.01–100.08

DESCRIPTION

See application file for complete search history.

FIG. 1 is a three quarter right, front, top perspective view of an aerodynamic device for trailers and the like showing our new design;

(56) **References Cited**

U.S. PATENT DOCUMENTS

4,015,876 A	4/1977	Hulverson et al.
4,088,362 A	5/1978	Mollura
5,190,342 A	3/1993	Marlowe et al.

FIG. 2 is a front elevational view thereof;

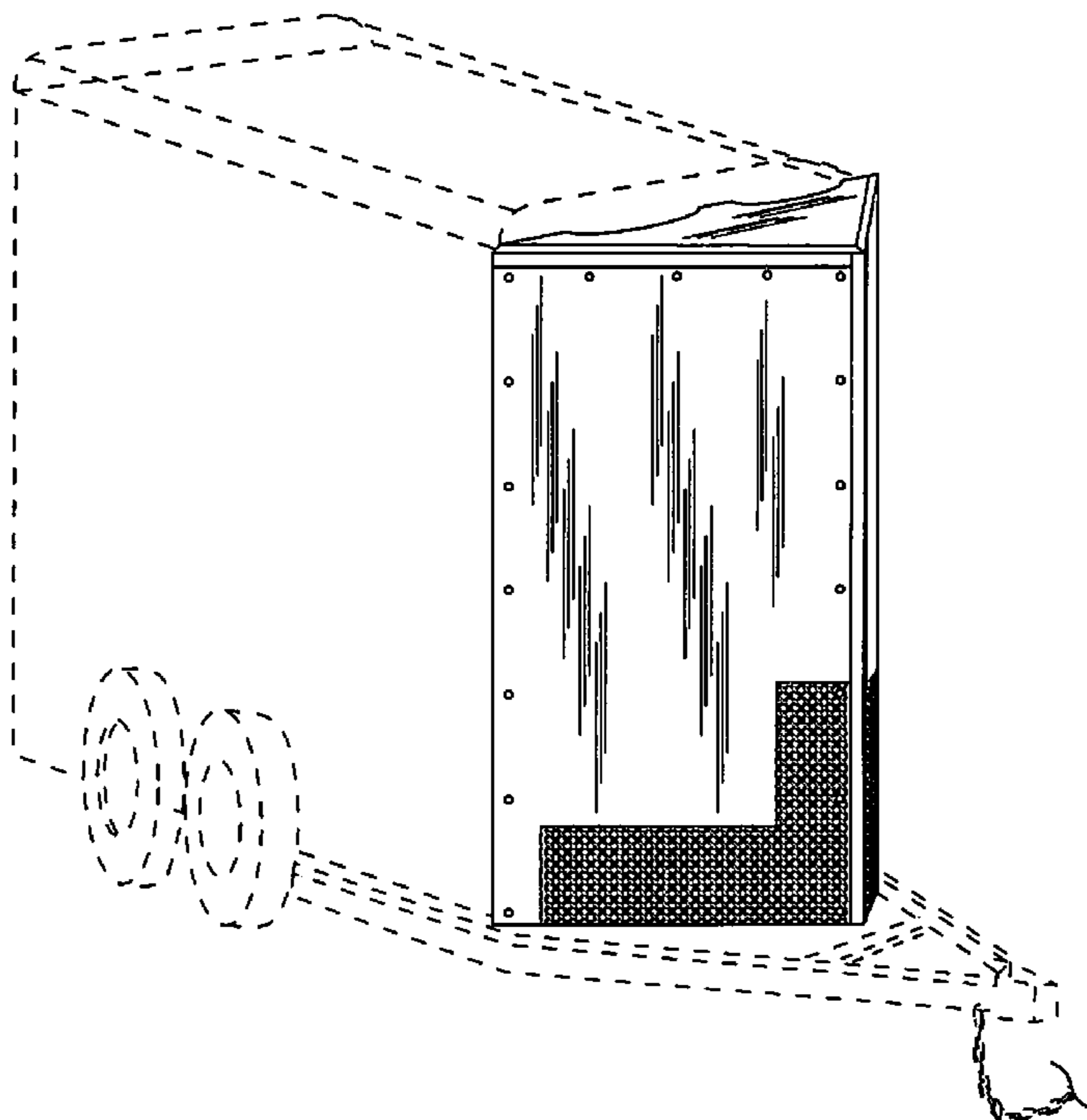
FIG. 3 is an elevational view of just a left panel thereof, it being understood that the right panel is a mirror image thereof;

FIG. 4 is a top plan view thereof; and,

FIG. 5 is a bottom plan view thereof.

In the drawings, the broken lines depict a trailer and form no part of the claimed design.

1 Claim, 4 Drawing Sheets



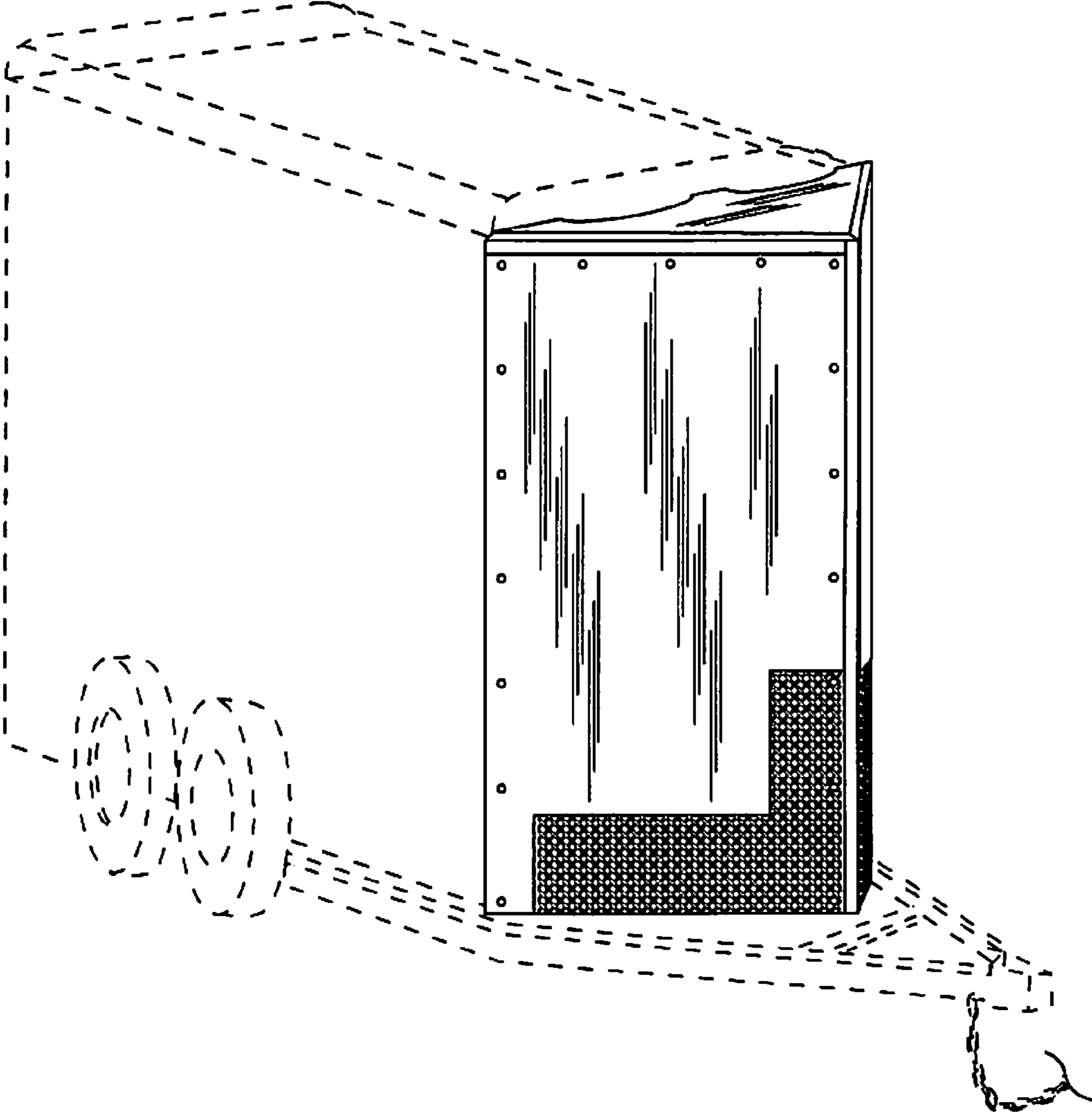


FIG. 1

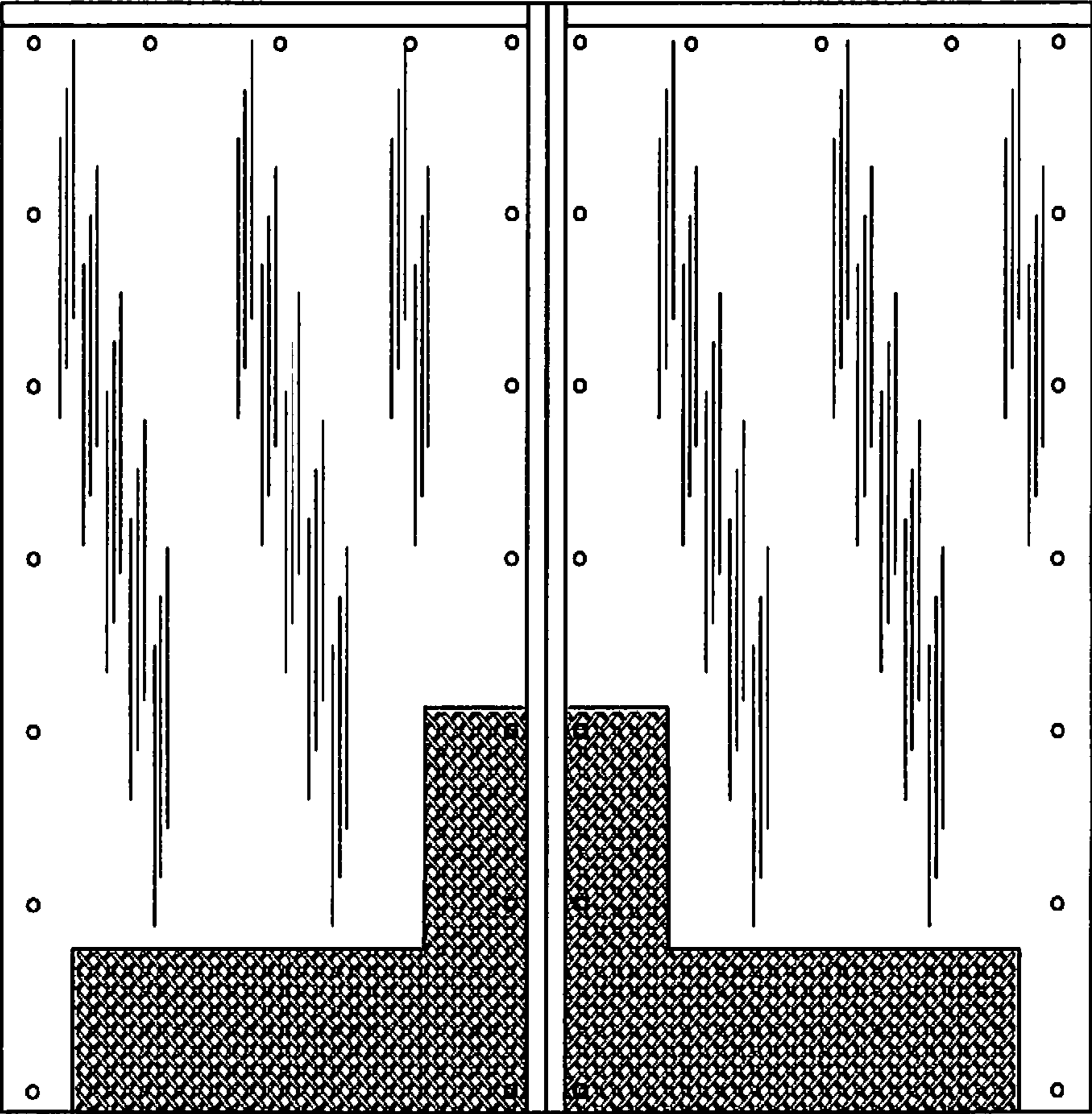


FIG. 2

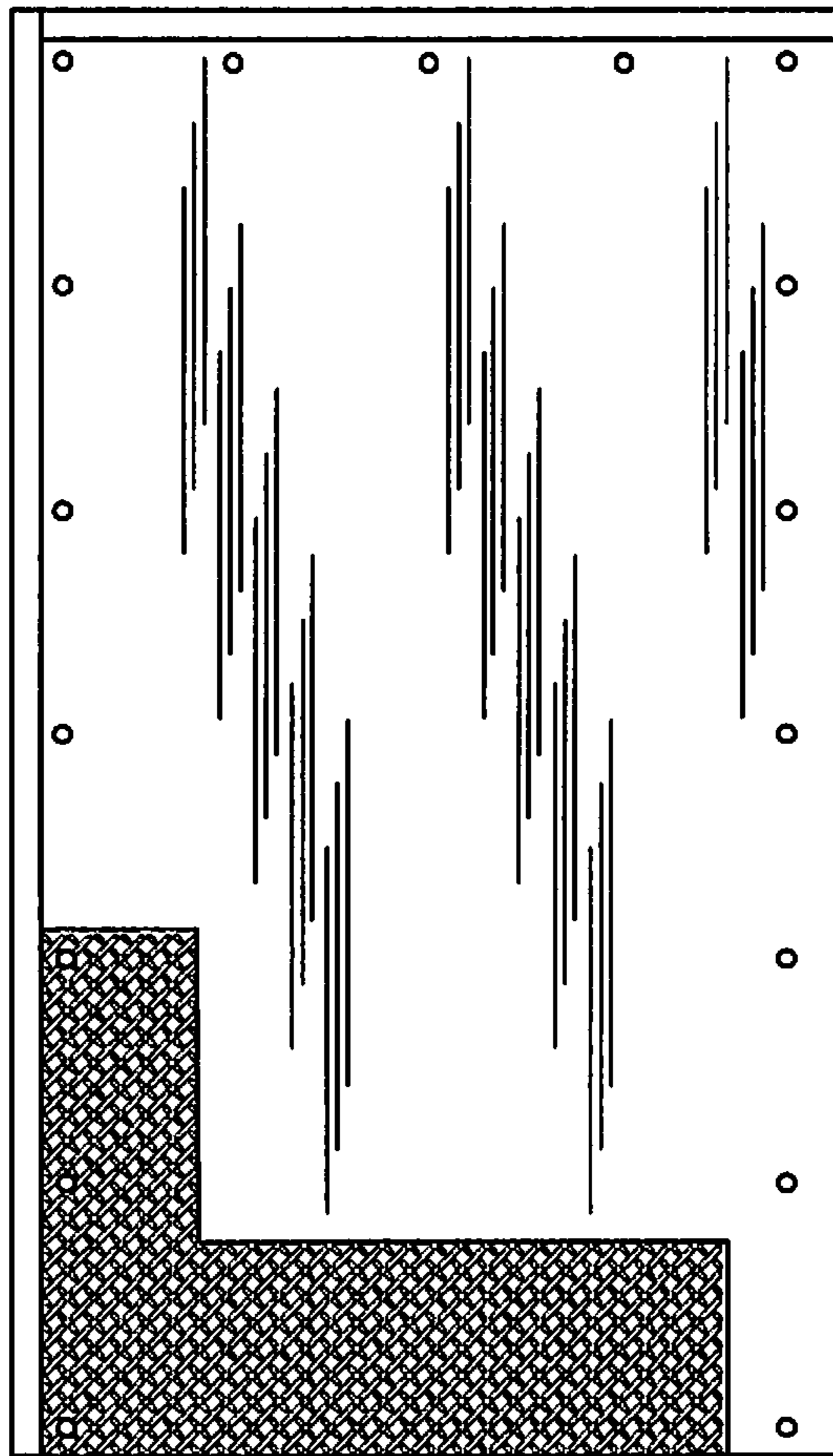


FIG. 3

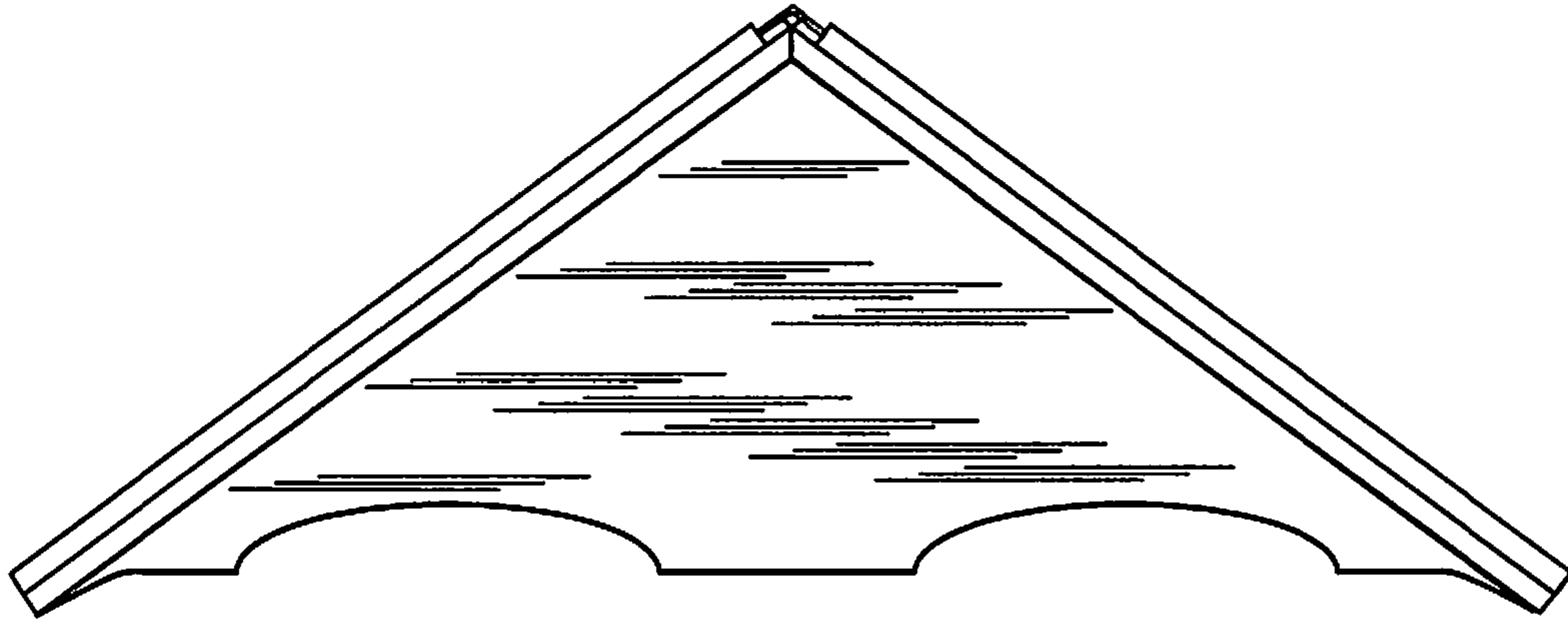


FIG. 4

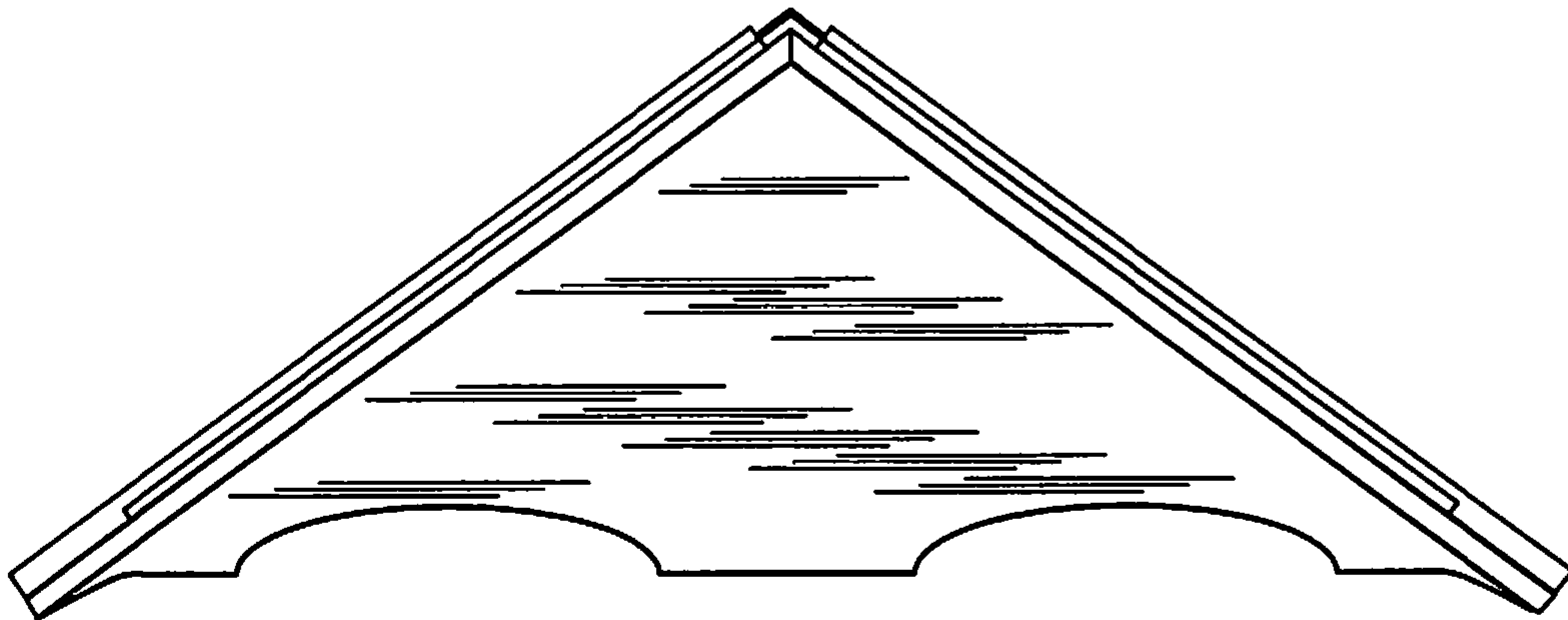


FIG. 5