



US00D700110S

(12) **United States Design Patent**
Dame et al.

(10) **Patent No.:** **US D700,110 S**
(45) **Date of Patent:** **** Feb. 25, 2014**

(54) **SLIDE ROOM FOR A RECREATION VEHICLE**

6,527,336 B2 3/2003 Hernandez et al.
6,536,821 B1 3/2003 Gardner
6,575,514 B2 6/2003 McManus et al.

(71) Applicant: **Composite Solutions, Inc.**, Junction City, OR (US)

(Continued)

(72) Inventors: **Dennis Dame**, Harrisburg, OR (US);
Jeffrey Chase, Eugene, OR (US)

OTHER PUBLICATIONS

Photographs of various slide-rooms, publicly used prior to Jan. 20, 2010.

(73) Assignee: **Composite Solutions, Inc.**, Junction City, OR (US)

(Continued)

(**) Term: **14 Years**

Primary Examiner — Melody Brown

(21) Appl. No.: **29/453,785**

(74) *Attorney, Agent, or Firm* — Klarquist Sparkman, LLP

(22) Filed: **May 2, 2013**

(57) **CLAIM**

We claim the ornamental design for a slide room for a recreational vehicle, as shown and described.

Related U.S. Application Data

DESCRIPTION

(63) Continuation of application No. 29/383,703, filed on Jan. 20, 2011, now Pat. No. Des. 684,096.

(51) **LOC (10) Cl.** **12-16**

(52) **U.S. Cl.**
USPC **D12/100**

(58) **Field of Classification Search**
USPC D12/100, 104; 280/204, 205;
296/180.2, 26.01, 26.03, 26.12, 26.14,
296/156, 171-176; 52/67

See application file for complete search history.

FIG. 1 is a perspective view of a slide room for a recreational vehicle, showing the slide room installed in a recreational vehicle and positioned in a partially extended position, the slide room having a fiberglass end wall and integral flange.

FIG. 2 is a perspective view of the recreational vehicle and slide room of FIG. 1 showing the slide room in a fully retracted position.

FIG. 3 is a side elevation view of the recreational vehicle and slide room of FIG. 1.

FIG. 4 is a bottom plan view of the recreational vehicle and slide room of FIG. 1 showing the slide room in the partially extended position; and,

FIG. 5 is a front elevation view of the recreational vehicle and slide room of FIG. 1 showing the slide room in the partially extended position.

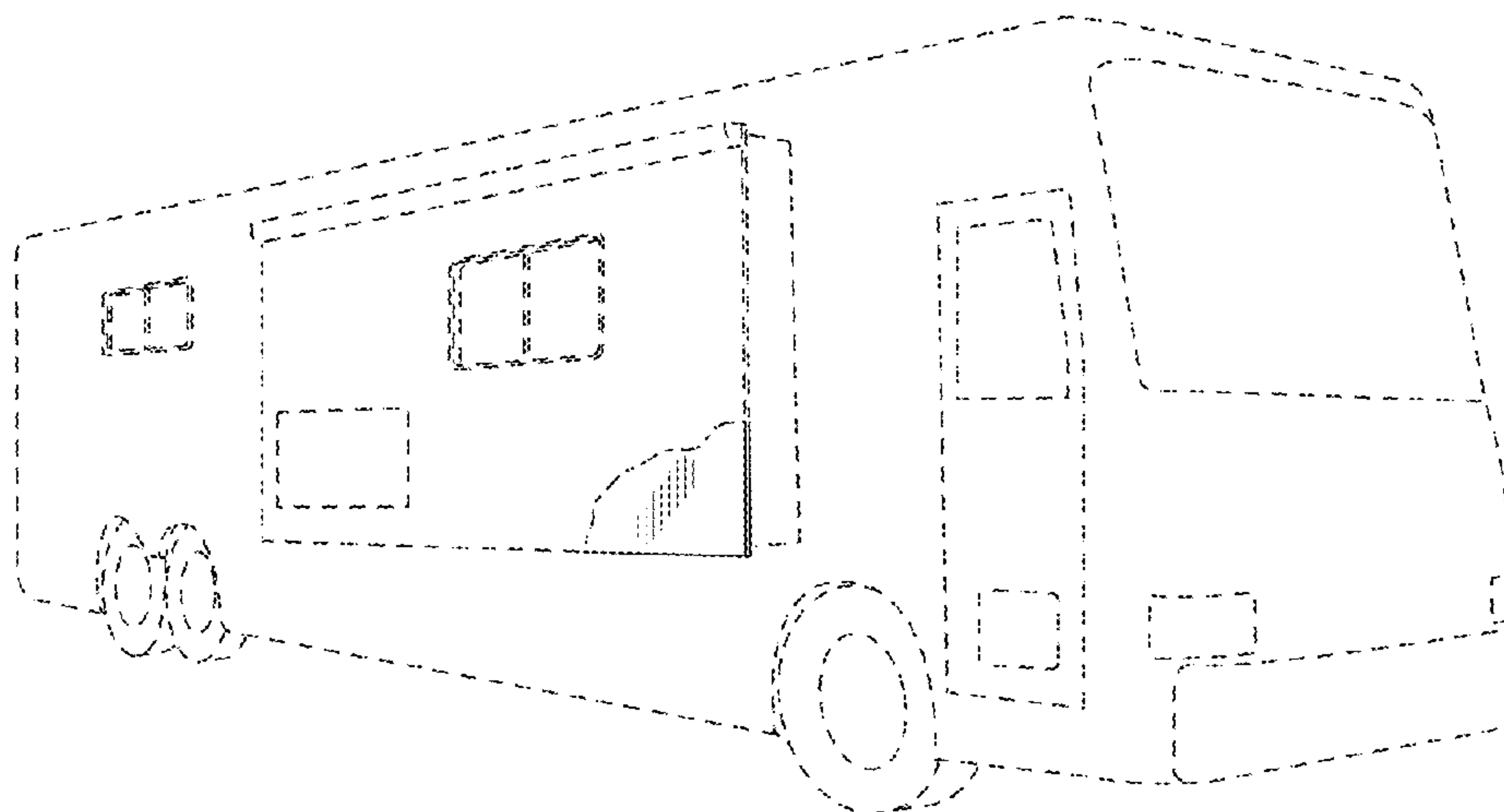
The long-dash short-dash lines in FIGS. 1-3 are boundary lines indicating the bounds of the claimed subject matter. All other portions of the slide room and recreational vehicle shown broken lines throughout the drawings are for illustrative purposes and form no part of the claimed design.

(56) **References Cited**

U.S. PATENT DOCUMENTS

4,913,485 A	4/1990	Moffatt et al.
5,735,639 A	4/1998	Payne et al.
6,149,218 A	11/2000	Tremblay et al.
6,224,126 B1	5/2001	Martin et al.
6,325,437 B2	12/2001	Hiebert et al.
6,402,216 B1	6/2002	McManus et al.
D460,721 S	7/2002	Rex
6,422,628 B1	7/2002	Bortell
D461,144 S	8/2002	Rex

1 Claim, 2 Drawing Sheets



(56)

References Cited

OTHER PUBLICATIONS

U.S. PATENT DOCUMENTS

6,712,414 B2 3/2004 Morrow
D488,744 S 4/2004 Ciarfello
6,729,677 B2 5/2004 Gurdjian et al.
D522,923 S 6/2006 Genung
7,354,088 B2 4/2008 Garceau et al.
7,527,313 B2 5/2009 Peter
7,614,675 B2 11/2009 Kunz
7,614,676 B2 11/2009 Ksiezopolski et al.
7,717,485 B1 5/2010 Hanser et al.
7,731,256 B1 6/2010 Wivinis
8,141,927 B2 3/2012 Kreil
D684,096 S * 6/2013 Dame et al. D12/100
2007/0194586 A1 8/2007 Gardner
2012/0035813 A1 2/2012 Kreil

Office Action from the United States Patent & Trademark Office in co-pending Design U.S. Appl. No. 29/383,703, dated Jun. 27, 2012.
Office Action from the United States Patent & Trademark Office in co-pending U.S. Appl. No. 13/237,746, dated Aug. 14, 2012.
Office Action from the United States Patent & Trademark Office in co-pending Design U.S. Appl. No. 29/383,703, dated Jan. 4, 2013.
Statement of Dennis Dame, dated Feb. 5, 2013, 4 pages.
Notice of Allowance from the United States Patent & Trademark Office in co-pending Design U.S. Appl. No. 29/383,703, dated Mar. 1, 2013.

* cited by examiner

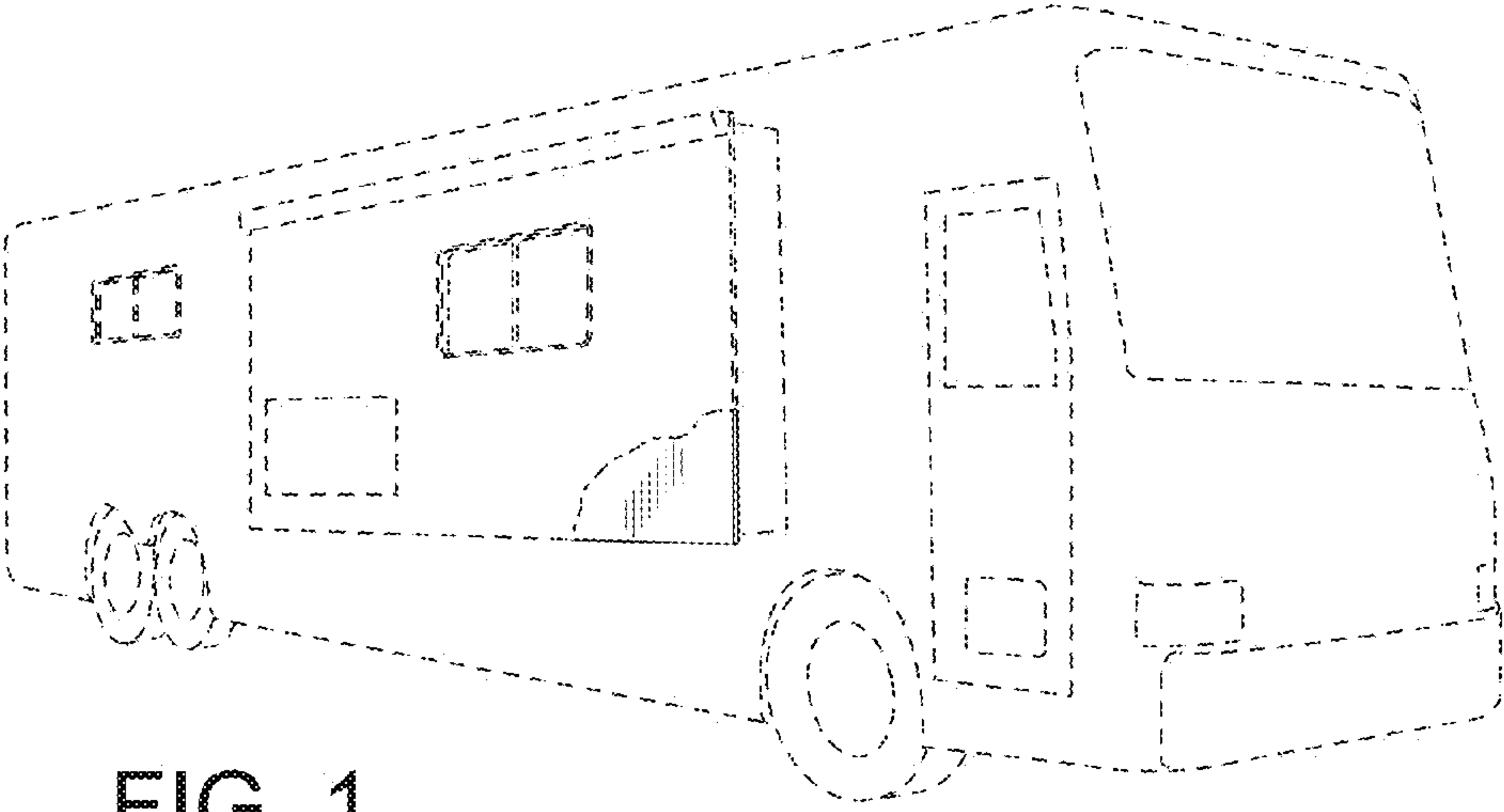


FIG. 1

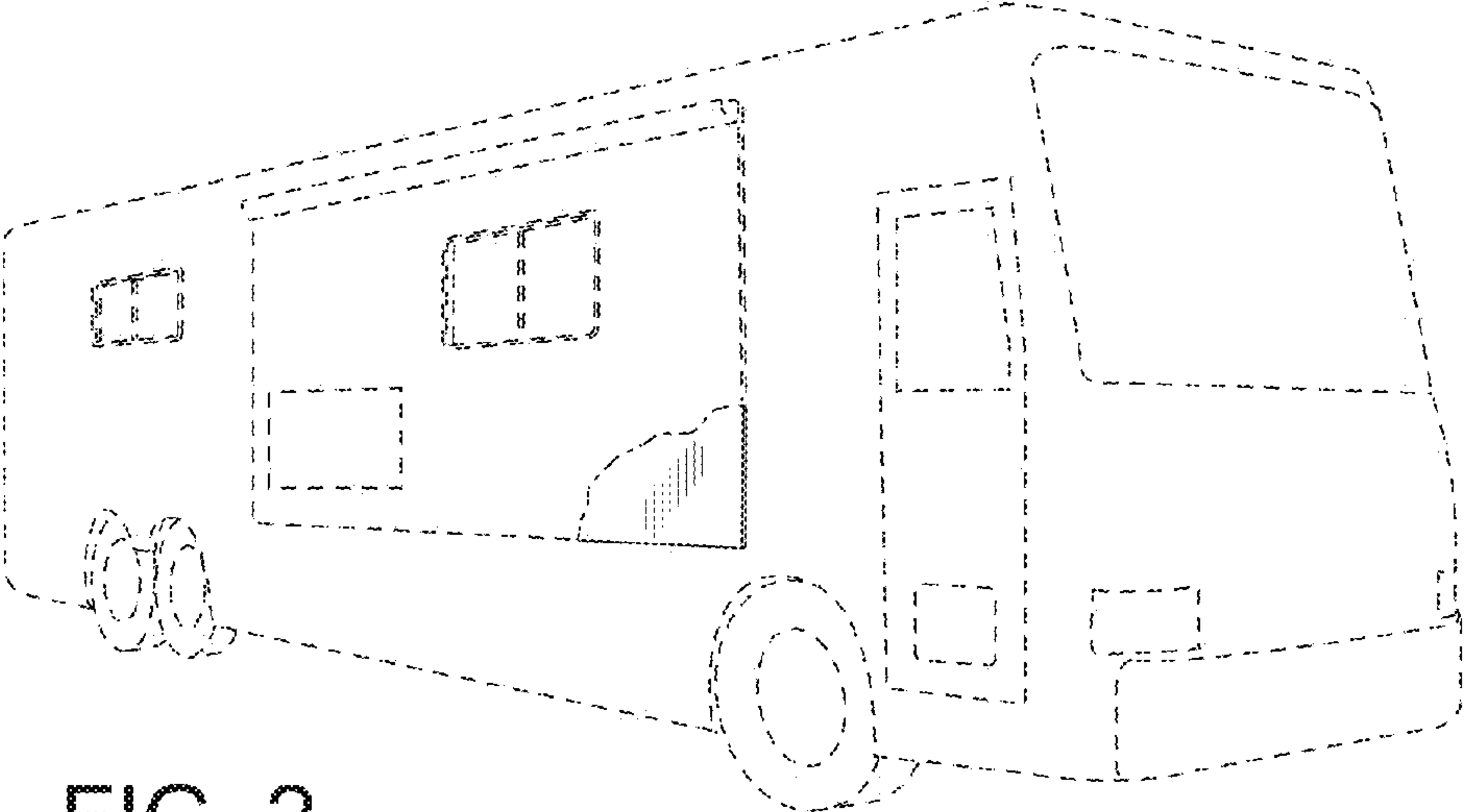


FIG. 2

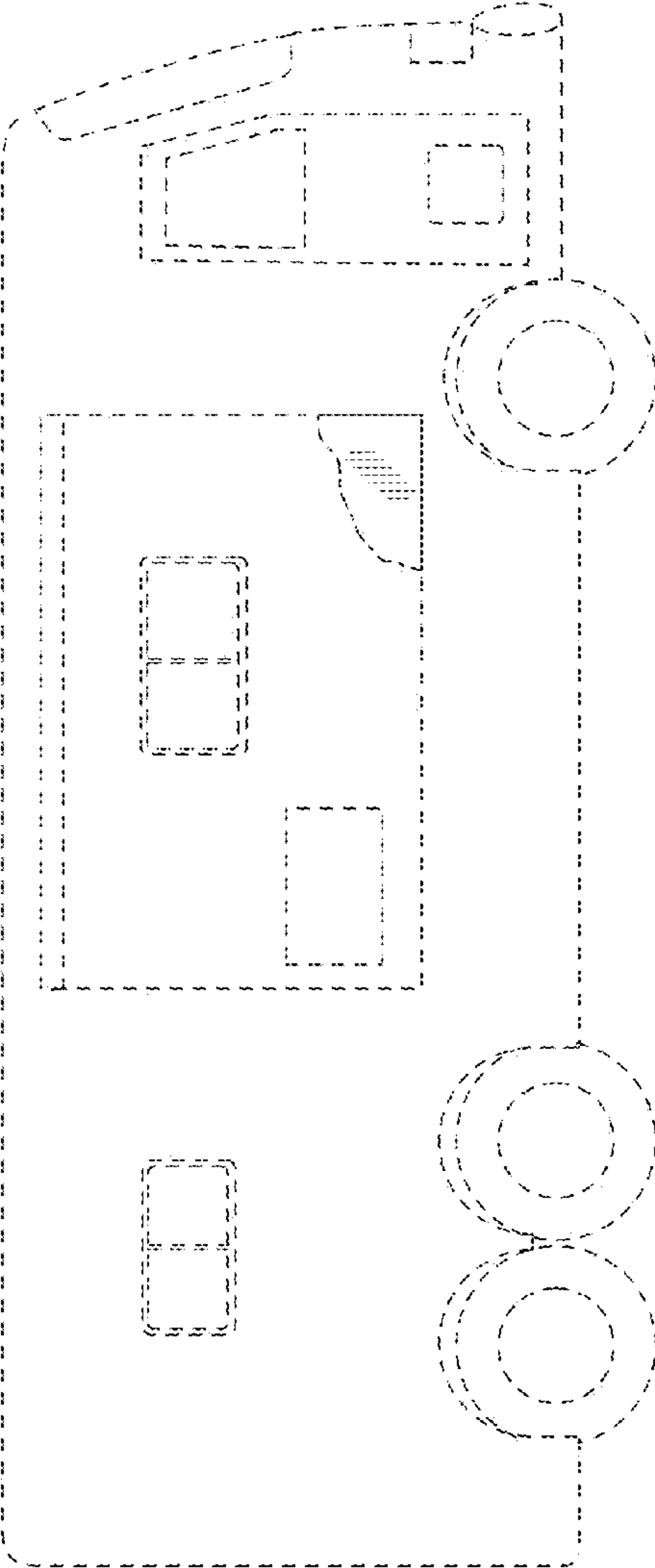


FIG. 3

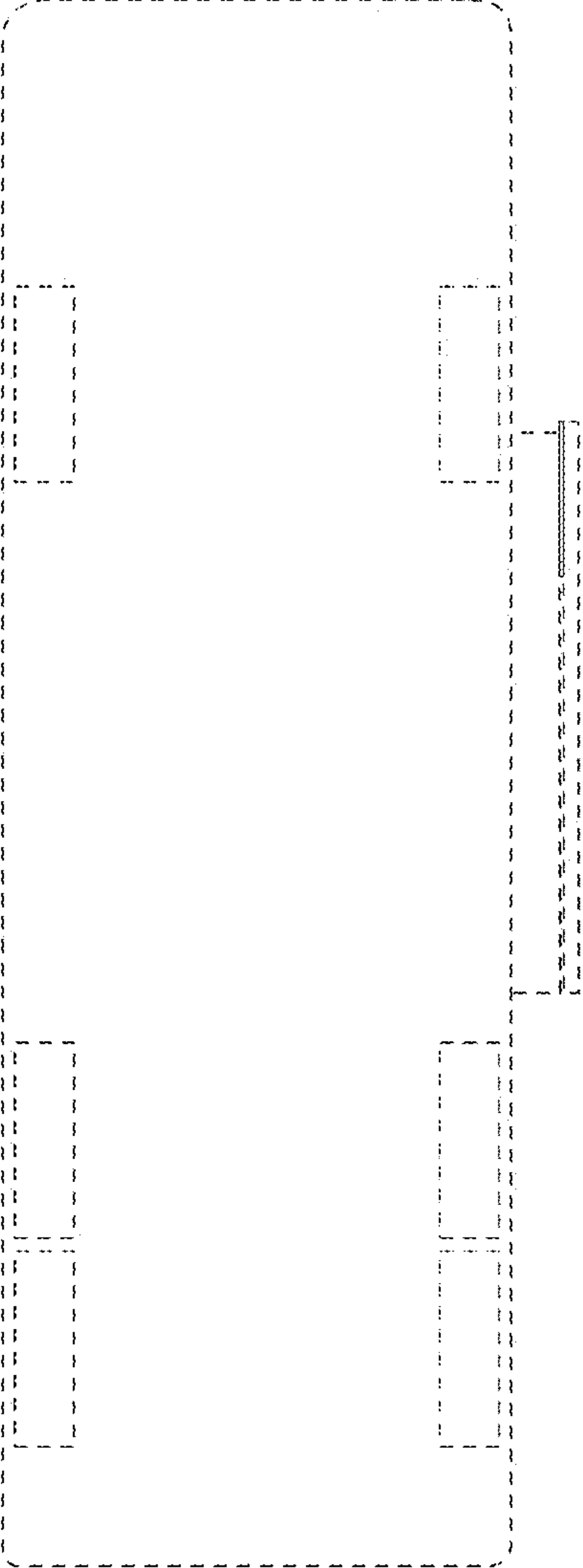


FIG. 4

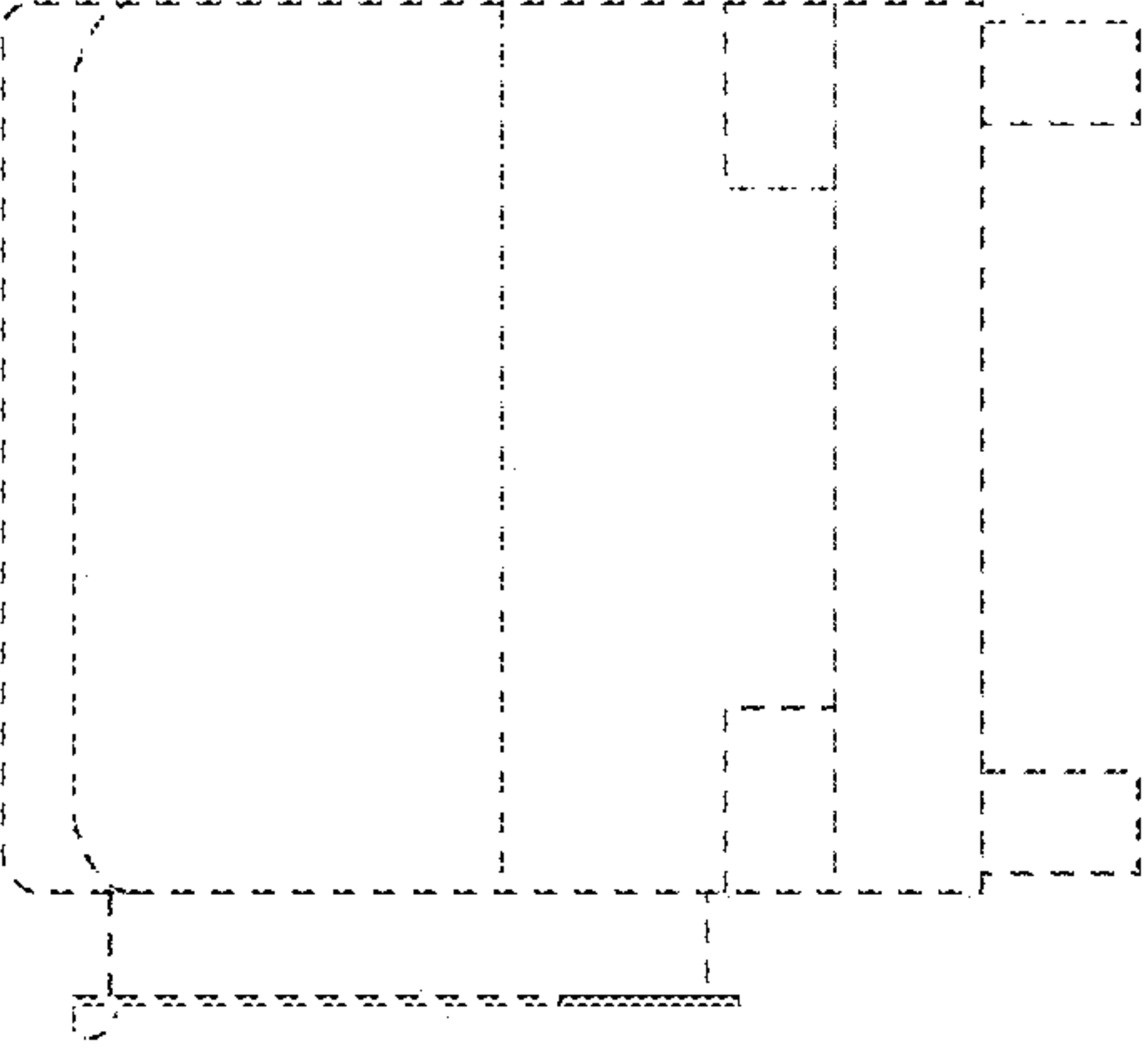


FIG. 5