



US00D700109S

(12) **United States Design Patent**  
**Brzustowicz et al.**

(10) **Patent No.:** **US D700,109 S**  
(45) **Date of Patent:** **\*\* Feb. 25, 2014**

(54) **VEHICLE, TOY, AND/OR REPLICAS THEREOF**

D550,127 S \* 9/2007 Pfeiffer ..... D12/96  
D626,890 S \* 11/2010 Cantemir ..... D12/96  
D677,196 S \* 3/2013 Salaverri et al. .... D12/93  
D685,294 S \* 7/2013 Hanson et al. .... D12/96

(75) Inventors: **John Brzustowicz**, Portland, OR (US);  
**Ryan Dickman**, Portland, OR (US);  
**Michael Gatza**, Portland, OR (US);  
**Mark Hurayt**, Portland, OR (US);  
**Andrew Olson**, Portland, OR (US);  
**Dieter Rohkohl**, Portland, OR (US);  
**Tracy Simpson-Meyer**, Portland, OR (US);  
**Justin Yee**, Portland, OR (US)

\* cited by examiner

*Primary Examiner* — Melody Brown

(74) *Attorney, Agent, or Firm* — Crowell & Moring LLP

(73) Assignee: **Daimler AG**, Stuttgart (DE)

(\*\*) Term: **14 Years**

(21) Appl. No.: **29/432,195**

(22) Filed: **Sep. 14, 2012**

(30) **Foreign Application Priority Data**

Mar. 16, 2012 (EM) ..... 00209936-0001

(51) **LOC (10) Cl.** ..... **12-16**

(52) **U.S. Cl.**  
USPC ..... **D12/96**

(58) **Field of Classification Search**  
USPC ..... D12/93, 96, 97, 99; D21/424, 434, 581;  
180/89.16, 89.18, 89.19; 296/183.1  
See application file for complete search history.

(56) **References Cited**

**U.S. PATENT DOCUMENTS**

D460,023 S \* 7/2002 Beigel ..... D12/96  
D465,749 S \* 11/2002 Beigel ..... D12/96  
D489,649 S \* 5/2004 Satou et al. .... D12/96  
D542,715 S \* 5/2007 Beigel et al. .... D12/96

(57) **CLAIM**

The ornamental design for a vehicle, toy, and/or replicas thereof, as shown and described.

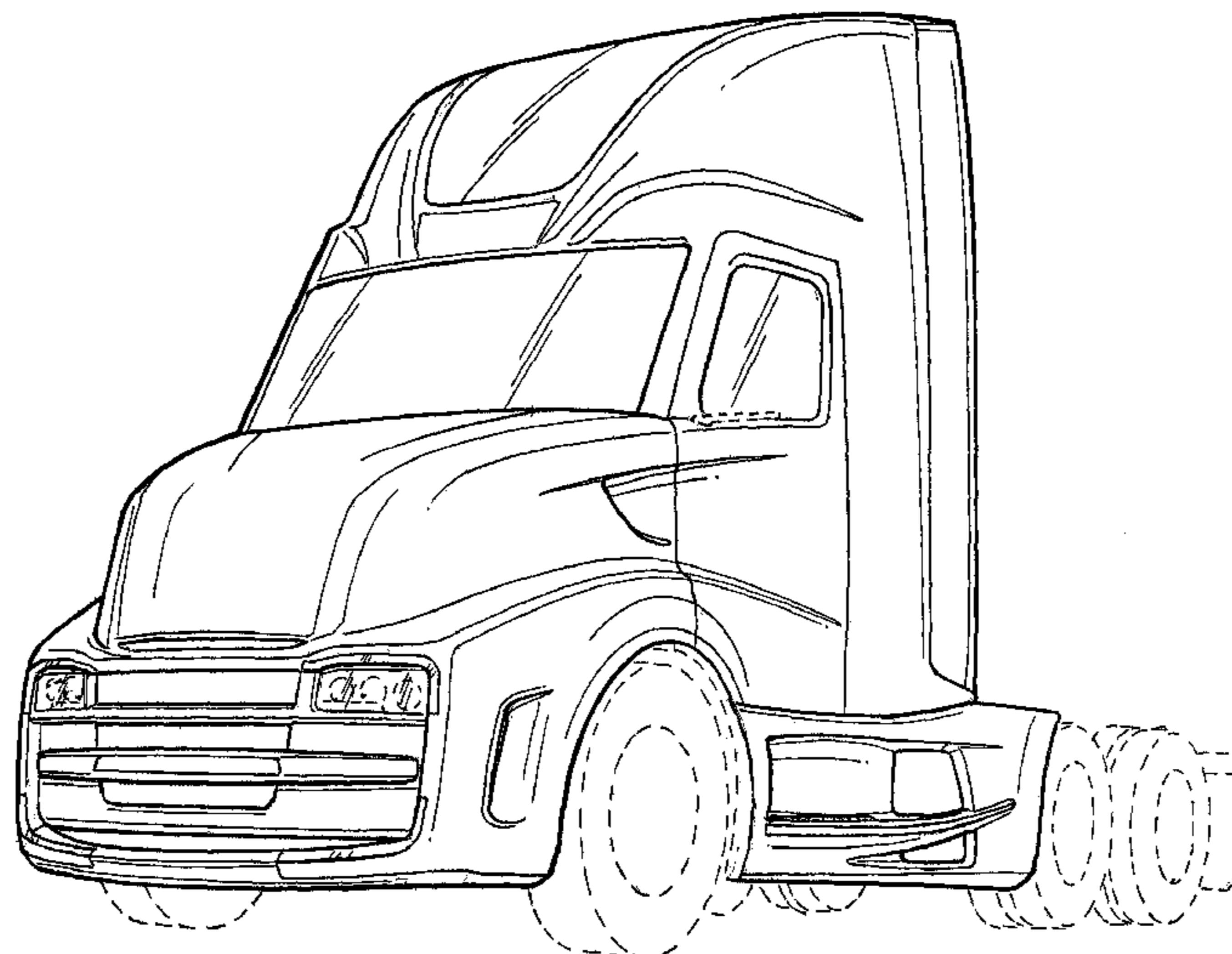
**DESCRIPTION**

This application contains subject matter related to the following co-pending U.S. design patent applications: Application Ser. No. 29/432,198, filed herewith and entitled "Side Panel for a Vehicle"; Application Ser. No. 29/432,201, filed herewith and entitled "Headlight for a Vehicle"; Application Ser. No. 29/432,204, filed herewith and entitled "Taillight for a Vehicle"; and, Application Ser. No. 29/432,205, filed herewith and entitled "Headlight for a Vehicle".

FIG. 1 is a left, front perspective view of a vehicle, toy, and/or replicas thereof according to our design; FIG. 2 is a right, front perspective view thereof; FIG. 3 is a left, rear perspective view thereof; FIG. 4 is a right, rear perspective view thereof; FIG. 5 is a left side view thereof; FIG. 6 is a right side view thereof; FIG. 7 is a front view thereof; and, FIG. 8 is a top view thereof.

The broken lines are for illustrative purposes only and form no part of the claimed design.

**1 Claim, 8 Drawing Sheets**



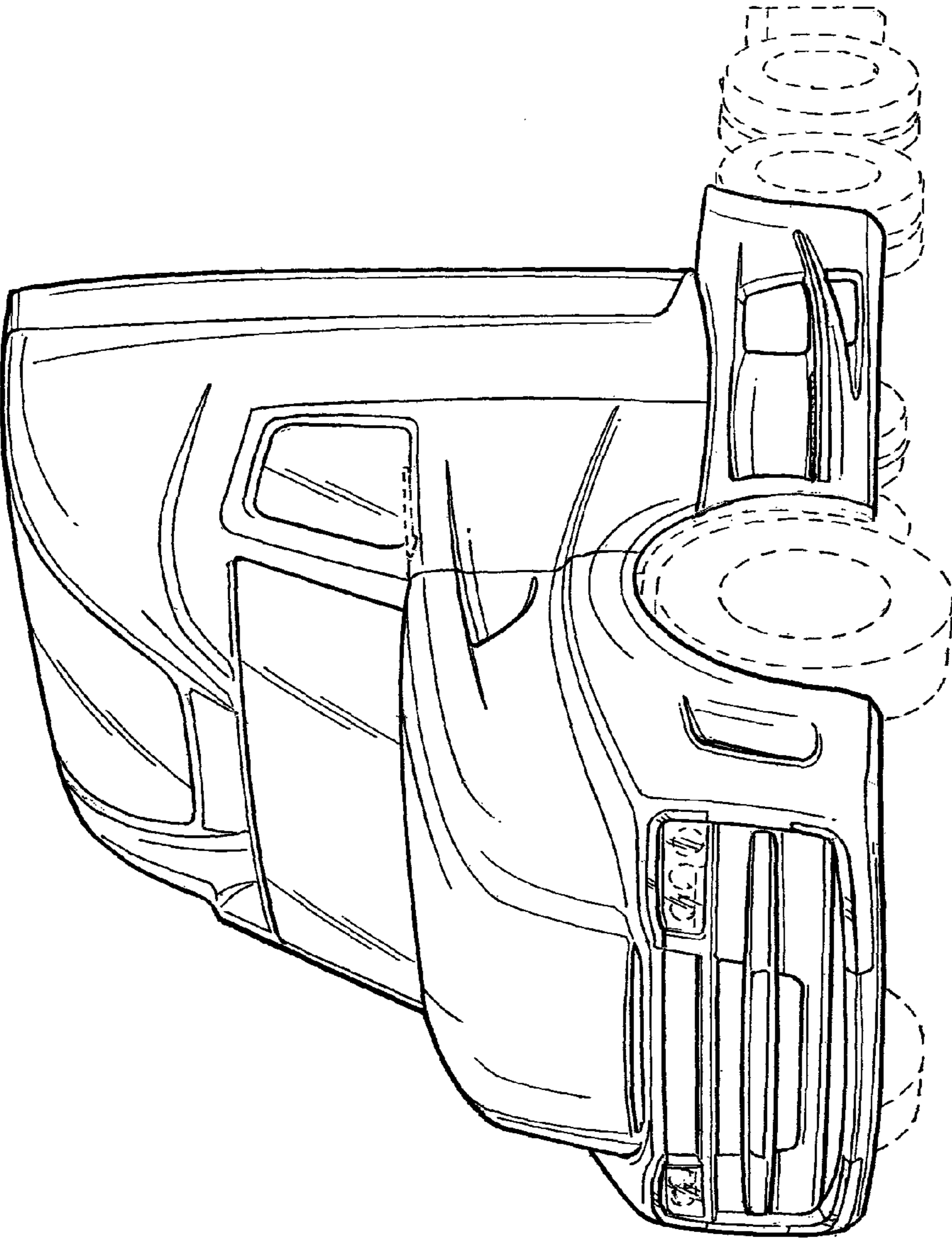


FIG. 1

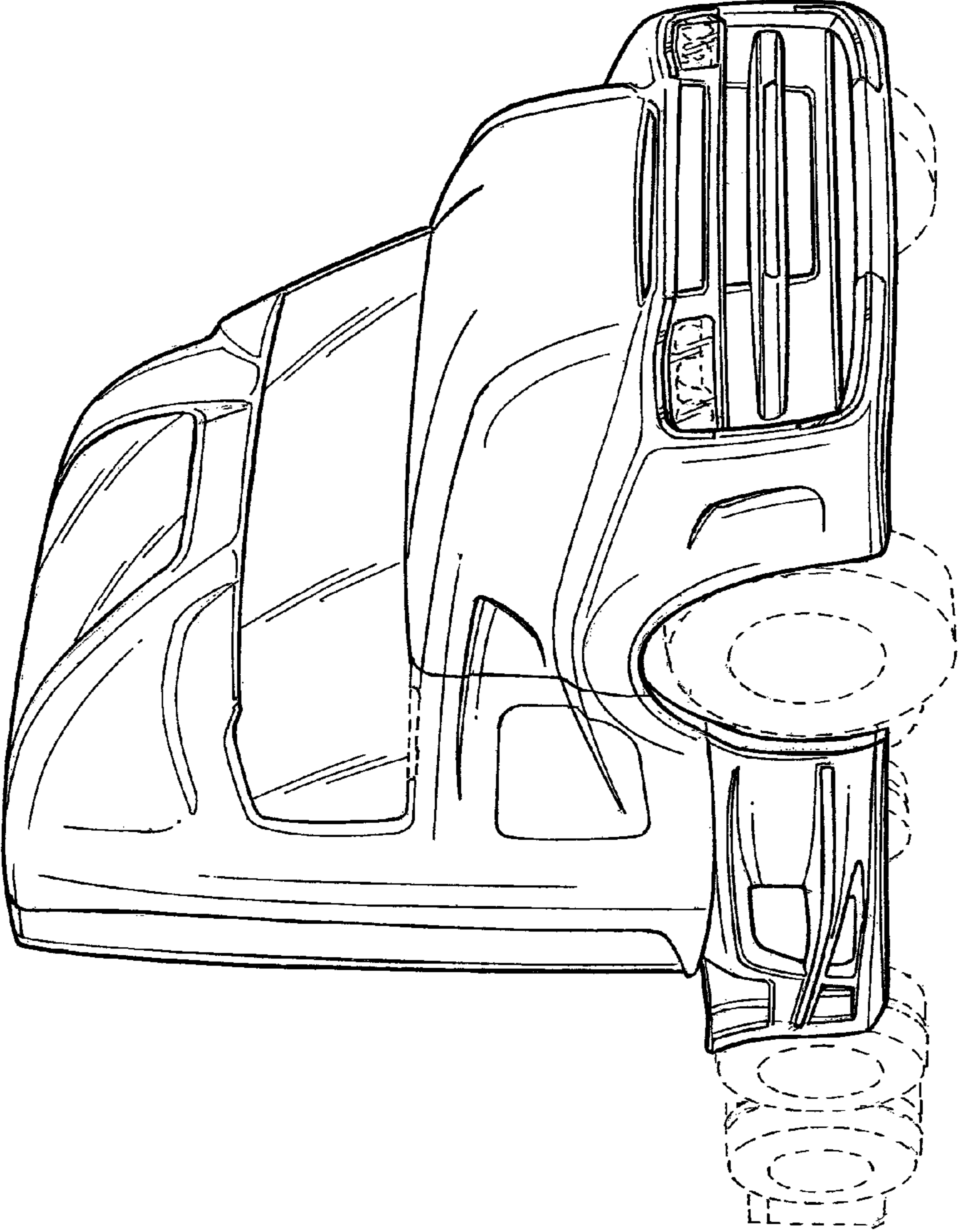


FIG. 2

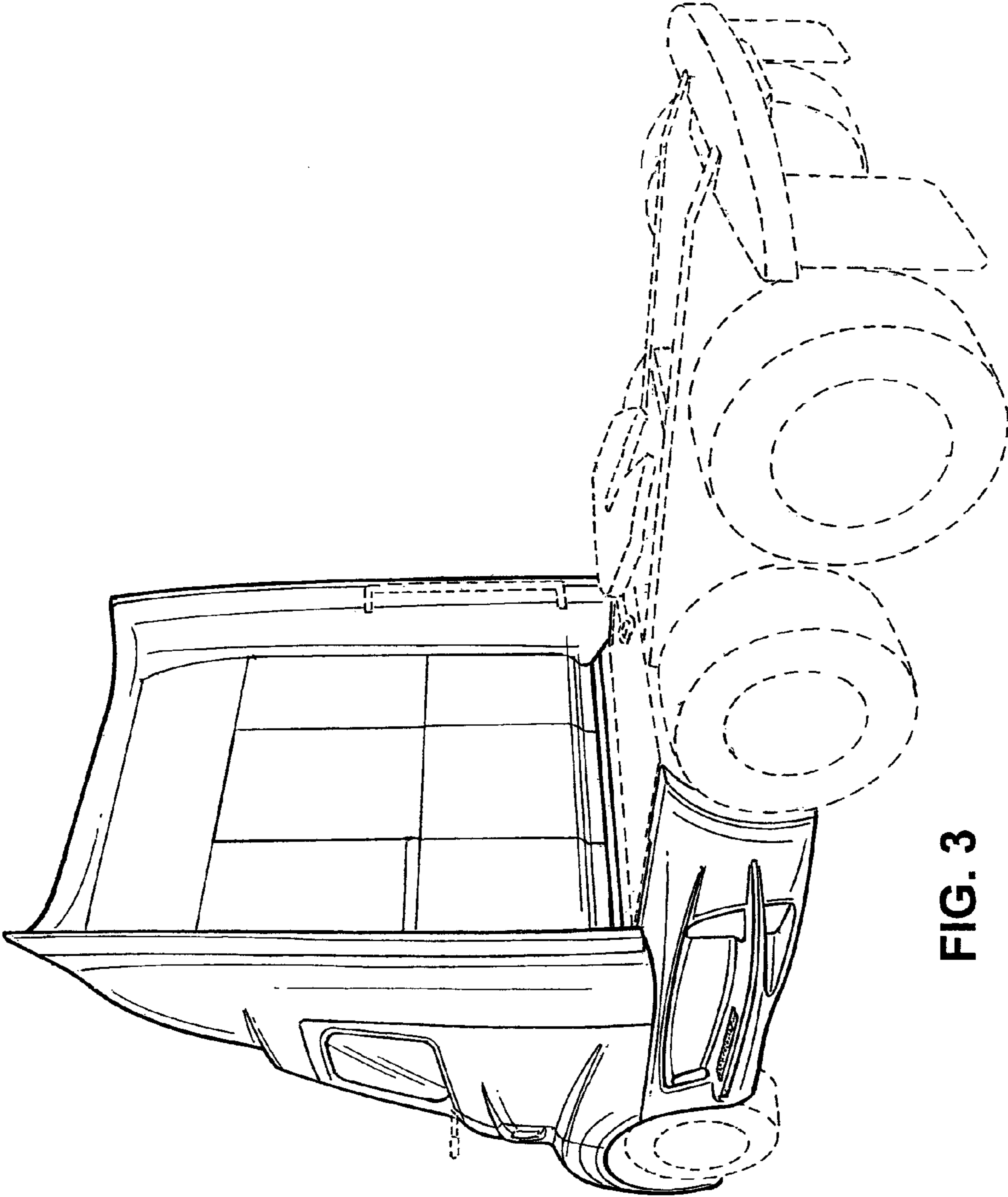


FIG. 3

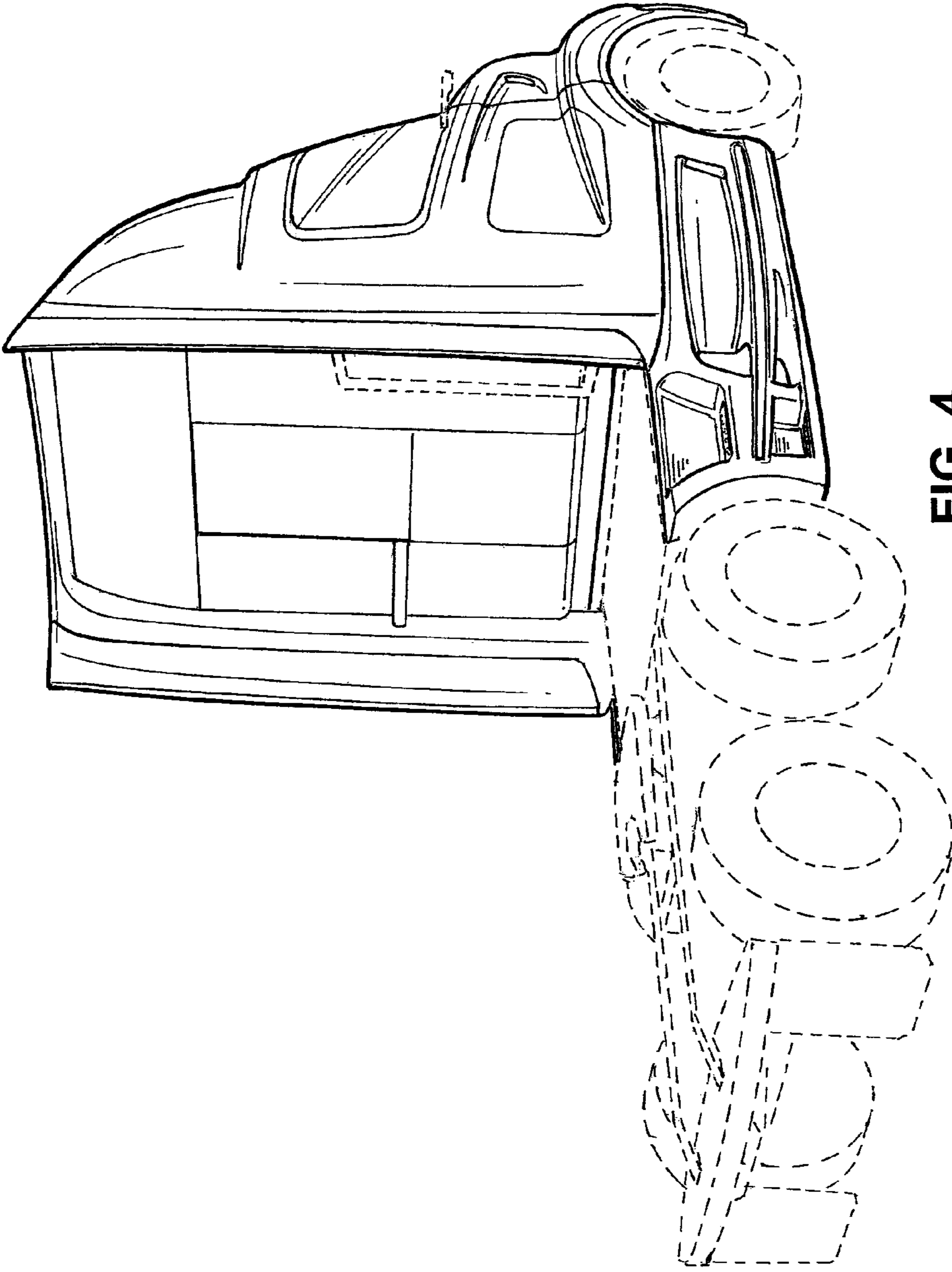


FIG. 4

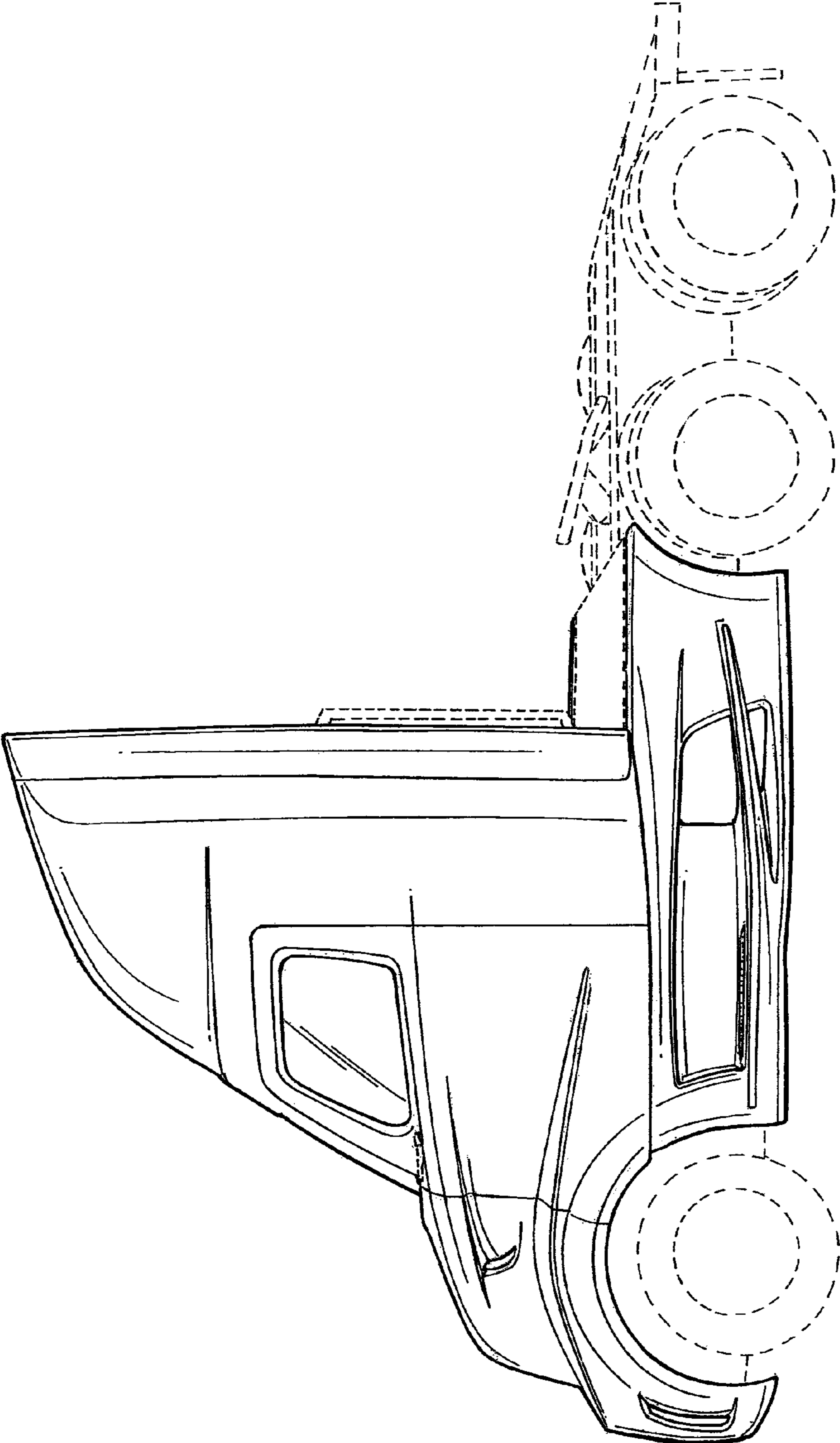


FIG. 5

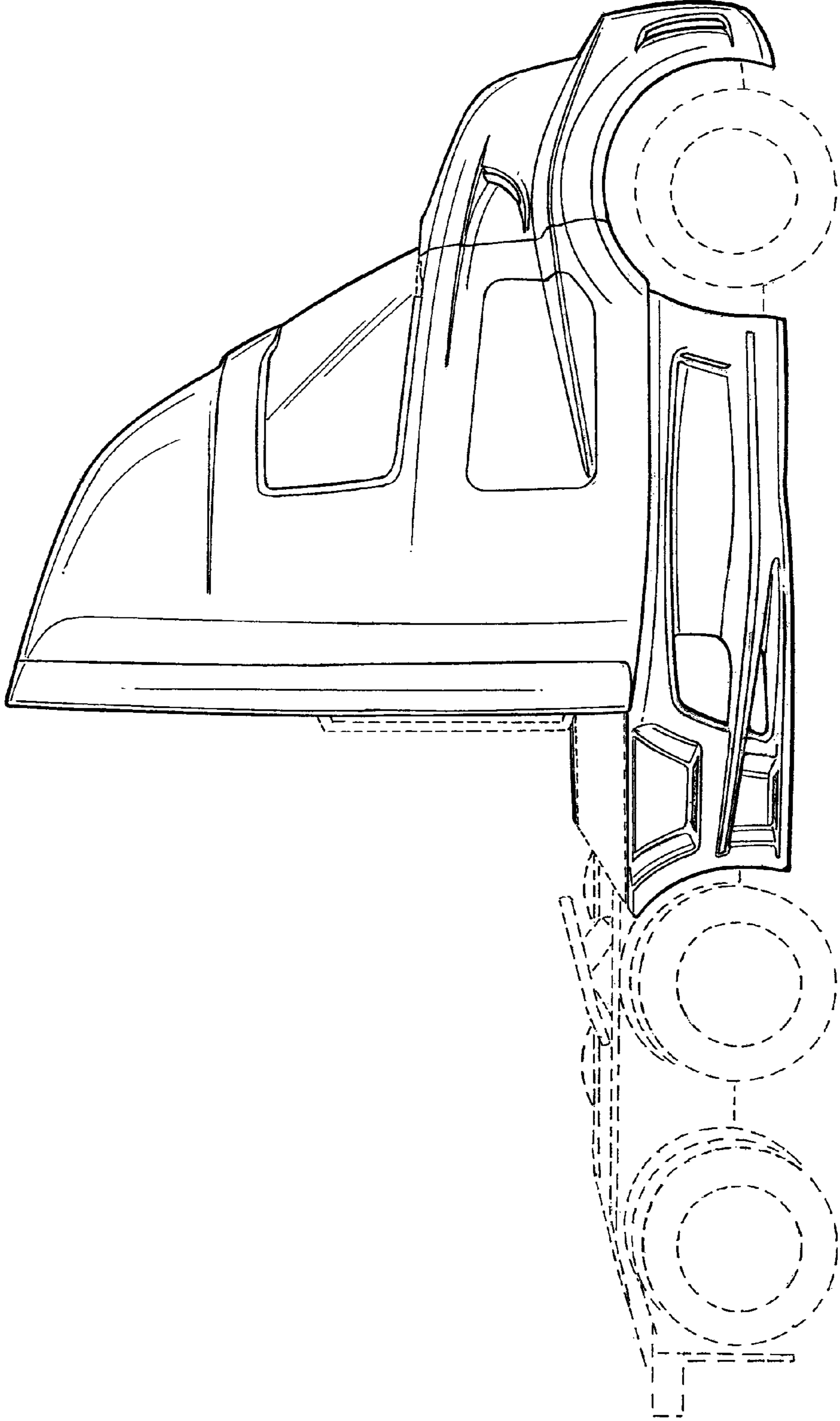


FIG. 6

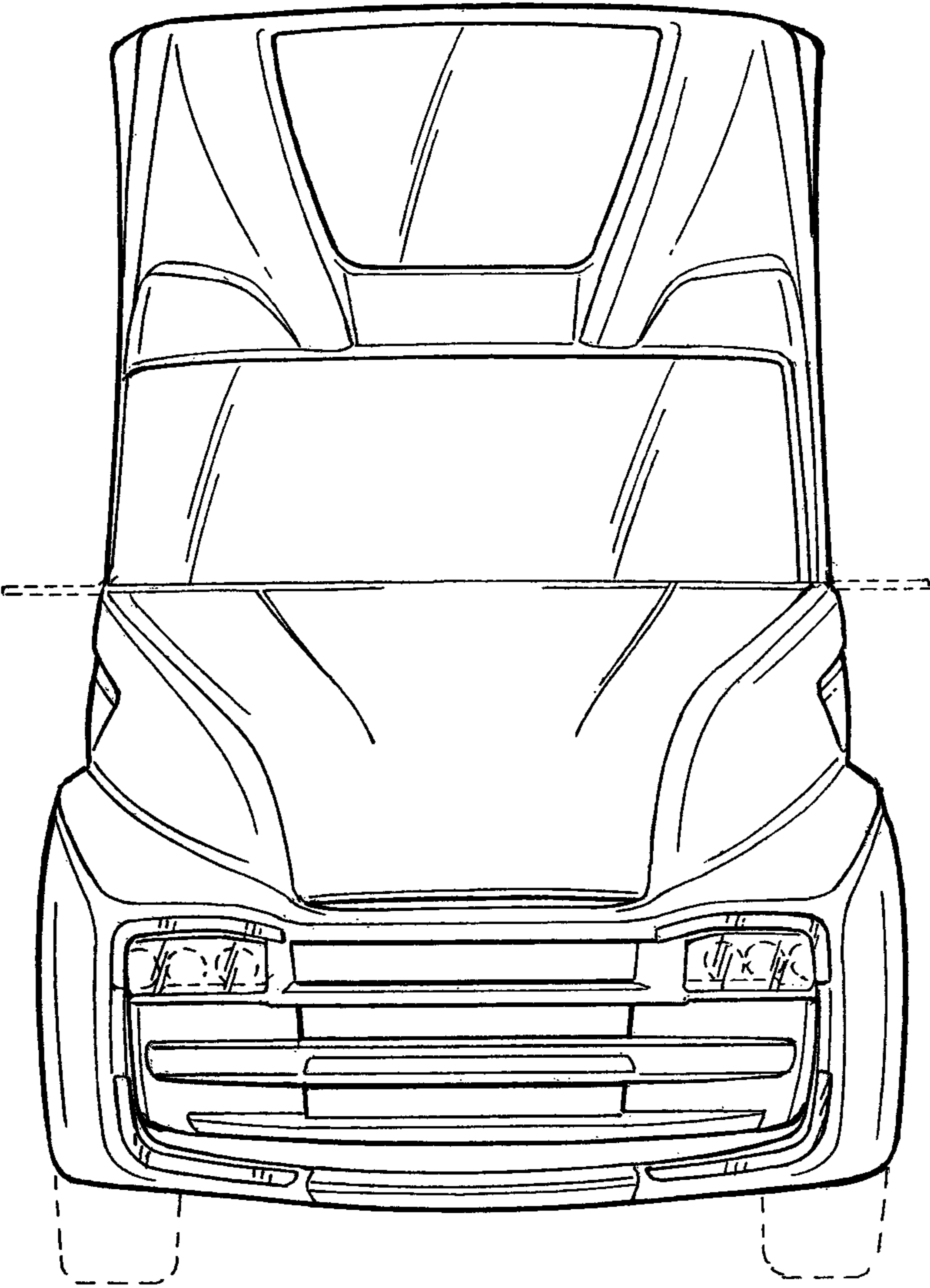


FIG. 7



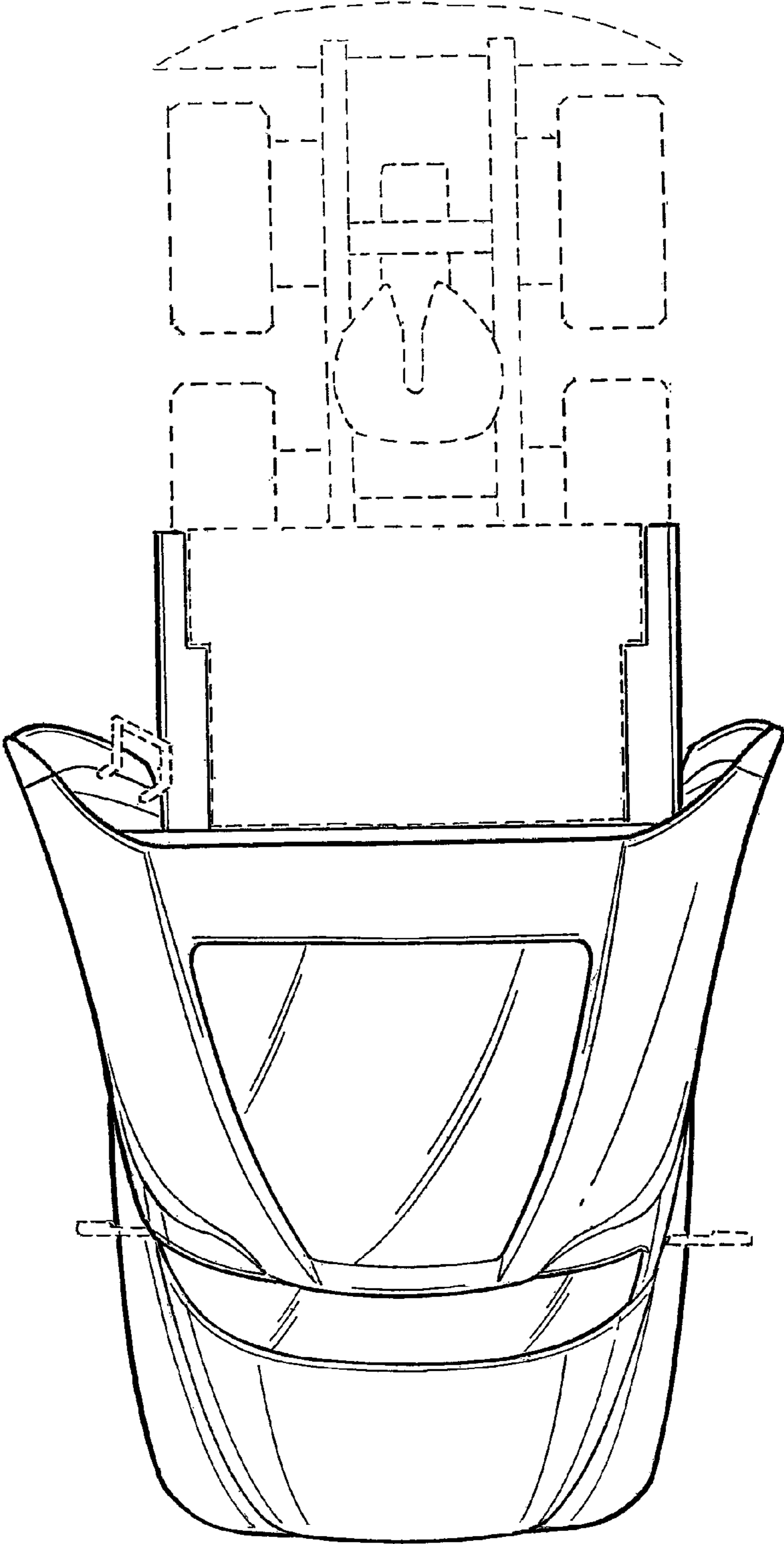


FIG. 8