



US00D700106S

(12) **United States Design Patent**
Gould et al.

(10) **Patent No.:** **US D700,106 S**

(45) **Date of Patent:** **** Feb. 25, 2014**

(54) **MOTOR VEHICLE EXTERIOR**

(76) Inventors: **Jonathan Mark Gould**, Birmingham (GB); **Andrew Tempest**, Norfolk (GB)

(**) Term: **14 Years**

(21) Appl. No.: **29/430,553**

(22) Filed: **Aug. 27, 2012**

(51) **LOC (10) Cl.** **12-08**

(52) **U.S. Cl.**

USPC **D12/91**

(58) **Field of Classification Search**

USPC D12/86, 88, 90, 91, 92, 93, 99;
D21/424, 433, 434; 296/181.1, 181.5

See application file for complete search history.

(56) **References Cited**

U.S. PATENT DOCUMENTS

D331,375 S *	12/1992	Feltrinelli	D12/99
D356,057 S *	3/1995	Sacco et al.	D12/99
D514,029 S *	1/2006	Truong	D12/99
D550,122 S *	9/2007	Pfeiffer	D12/91
D555,539 S *	11/2007	Pfeiffer	D12/91
D633,824 S *	3/2011	Fukui et al.	D12/91
D646,203 S *	10/2011	Thompson et al.	D12/91
D666,527 S *	9/2012	Li et al.	D12/91
D670,199 S *	11/2012	Zhang et al.	D12/91
D671,455 S *	11/2012	Watanabe	D12/91
D679,220 S *	4/2013	Aikawa et al.	D12/91
2011/0148134 A1 *	6/2011	Gerhardt et al.	296/24.43
2012/0031686 A1 *	2/2012	Ferrigni	180/2.2

OTHER PUBLICATIONS

2013 The Sprinter. Mercedes-Benz. Sep. 17, 2012 [online], [retrieved on Jun. 20, 2013]. Retrieved from the Internet <URL: http://www.

mbsprinterusa.com/files/brochures/MB_Sprinter_Brochure_2013.pdf>.*

2007 Dodge Sprinter. Dodge—Grab Life By The Horns. Mar. 27, 2007 [online], [retrieved on Jun. 20, 2013]. Retrieved from the Internet <URL: http://www.dodge.com/pdf/sprinter/complete.pdf>.*

Freight Liner. Sprinter Passenger Van. More Room To Move. Dec. 15, 2009 [online], [retrieved on Jun. 20, 2013]. Retrieved from the Internet <URL: http://www.sprinterhouston.com/PDF/FL_Sprinter_Passenger_Van_Data_Sheet.pdf>.*

* cited by examiner

Primary Examiner — Philip S Hyder

Assistant Examiner — Darlington Ly

(74) *Attorney, Agent, or Firm* — Baker Hostetler LLP

(57) **CLAIM**

The ornamental design for a motor vehicle exterior, as shown and described.

DESCRIPTION

FIG. 1 is a left, front perspective view of a motor vehicle exterior incorporating our novel design to which the right, front perspective view is a mirror image;

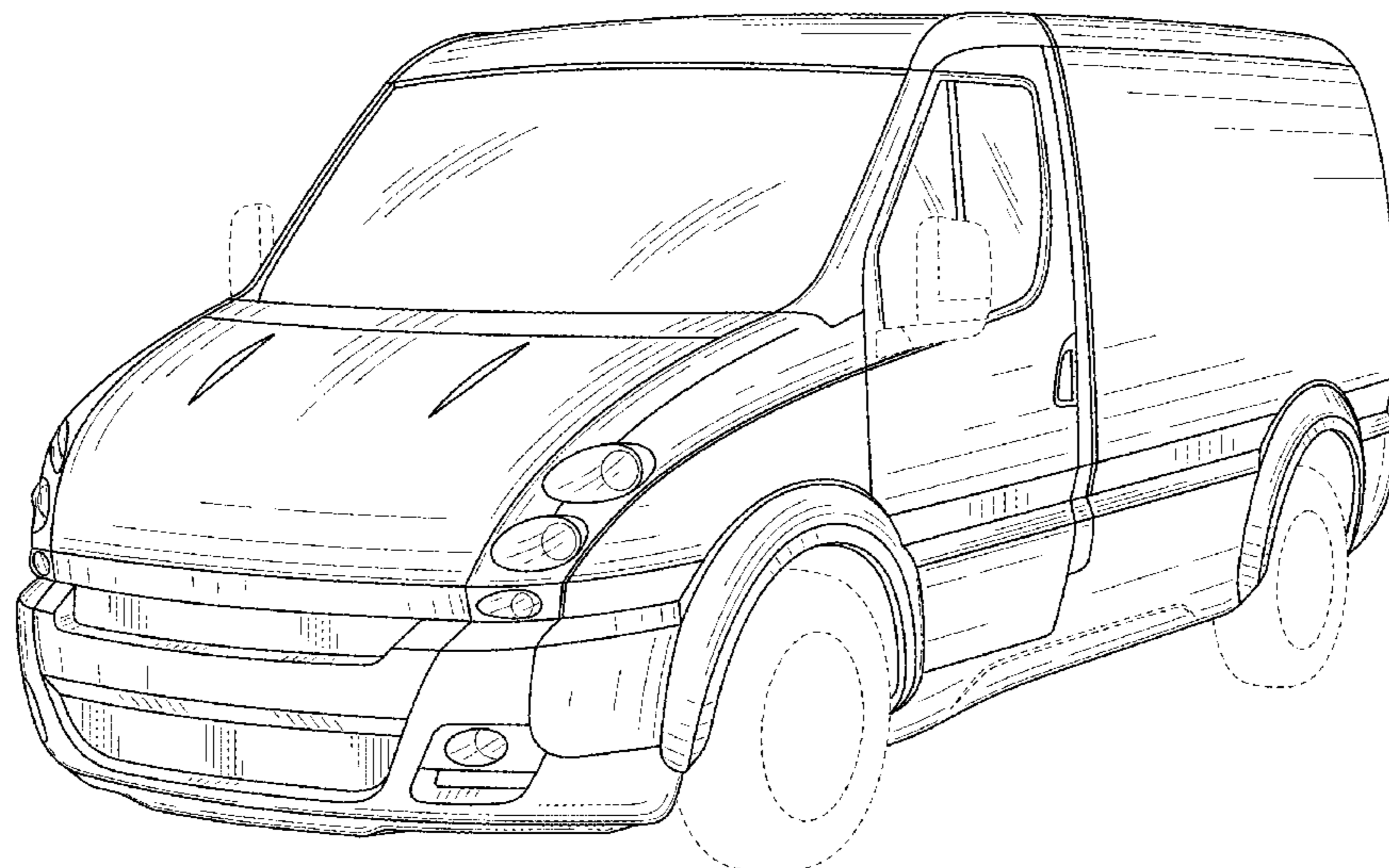
FIG. 2 is a front view of the motor vehicle exterior thereof; FIG. 3 is a right side view of the motor vehicle exterior thereof (to which the left side view is a mirror image);

FIG. 4 is a right, rear perspective view of the surface configuration of motor vehicle exterior thereof;

FIG. 5 is a rear view of the motor vehicle exterior thereof; and, FIG. 6 is a top view of the motor vehicle exterior thereof.

The broken lines shown in the drawings illustrate portions of the motor vehicle exterior that forms no part of claimed design.

1 Claim, 6 Drawing Sheets



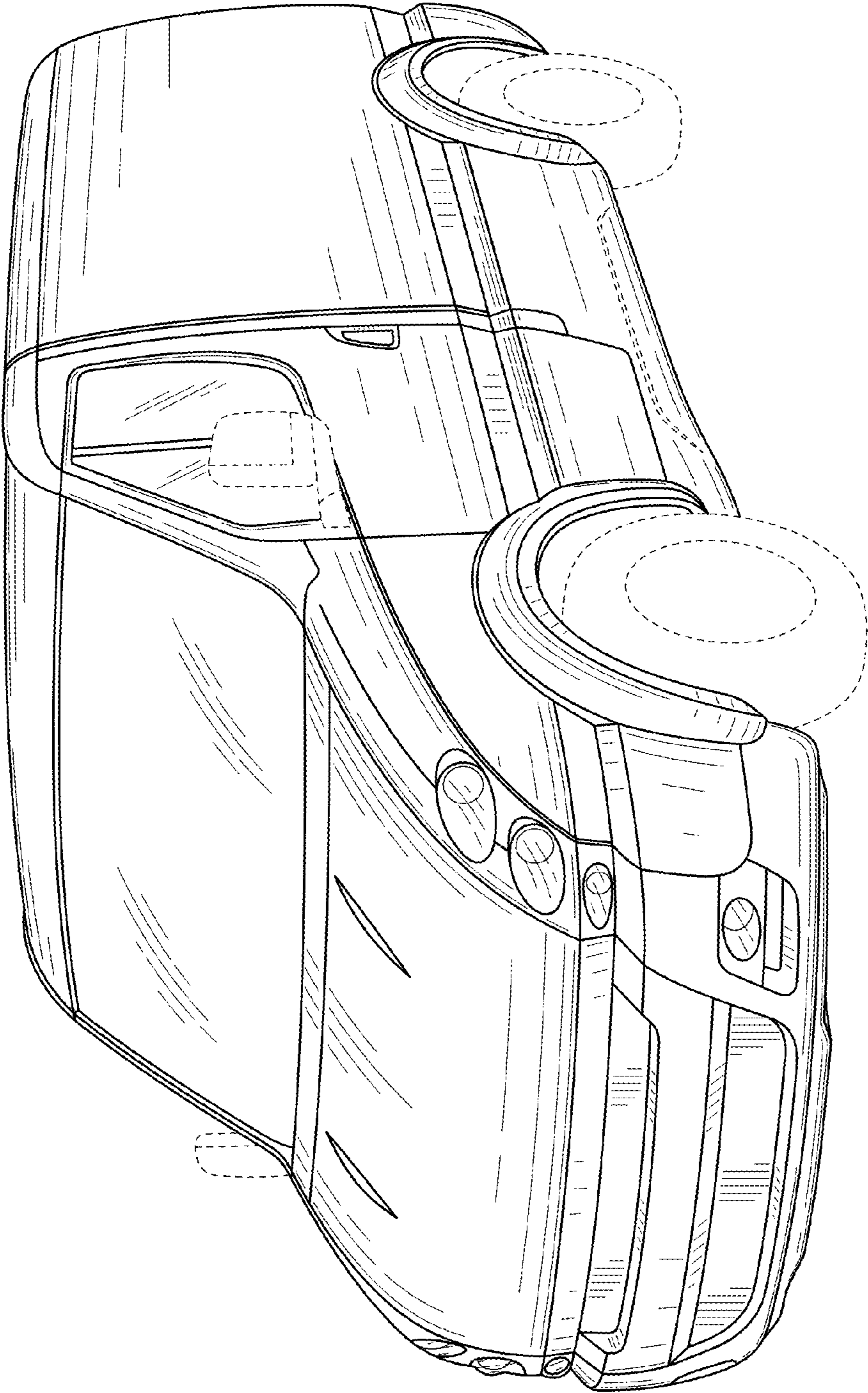


FIG. 1

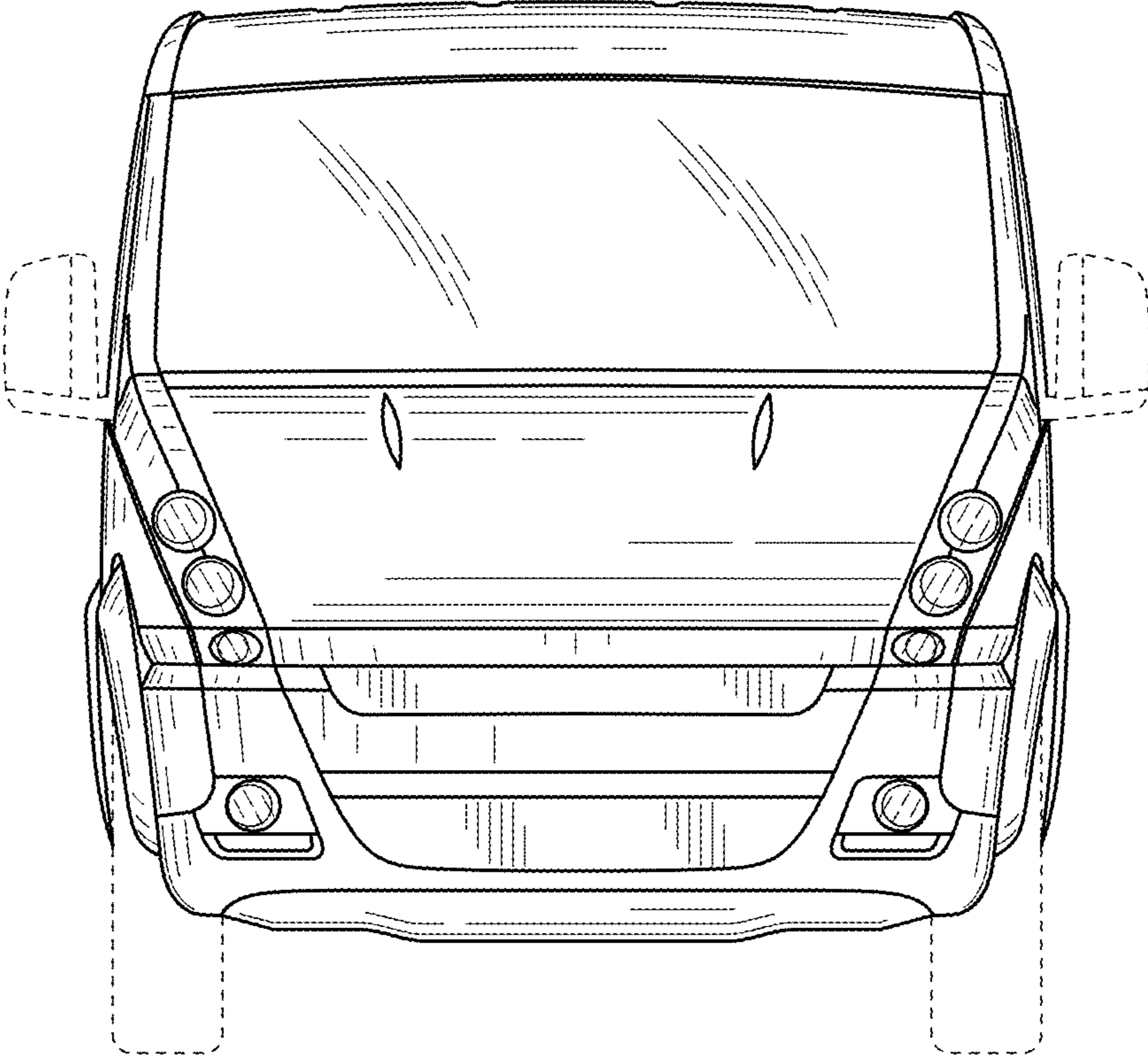


FIG. 2

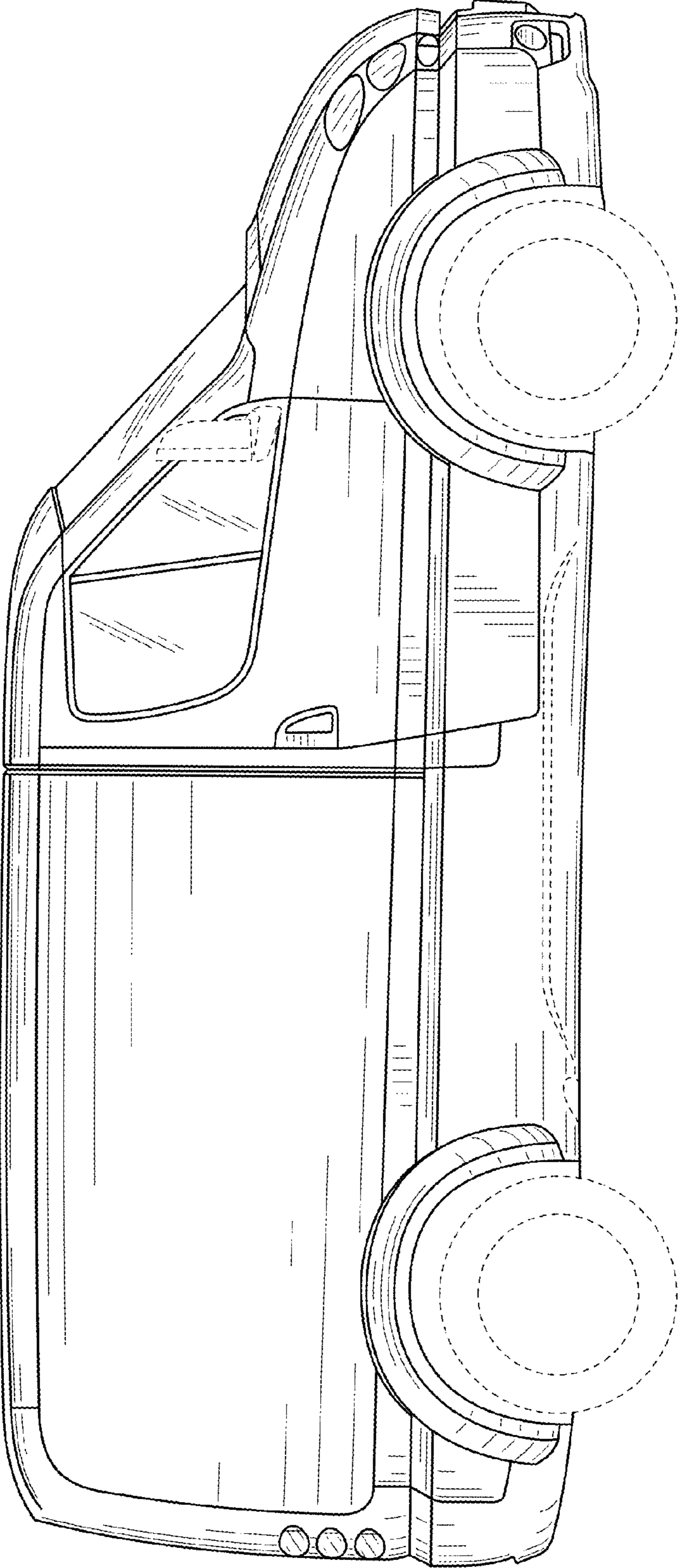


FIG. 3

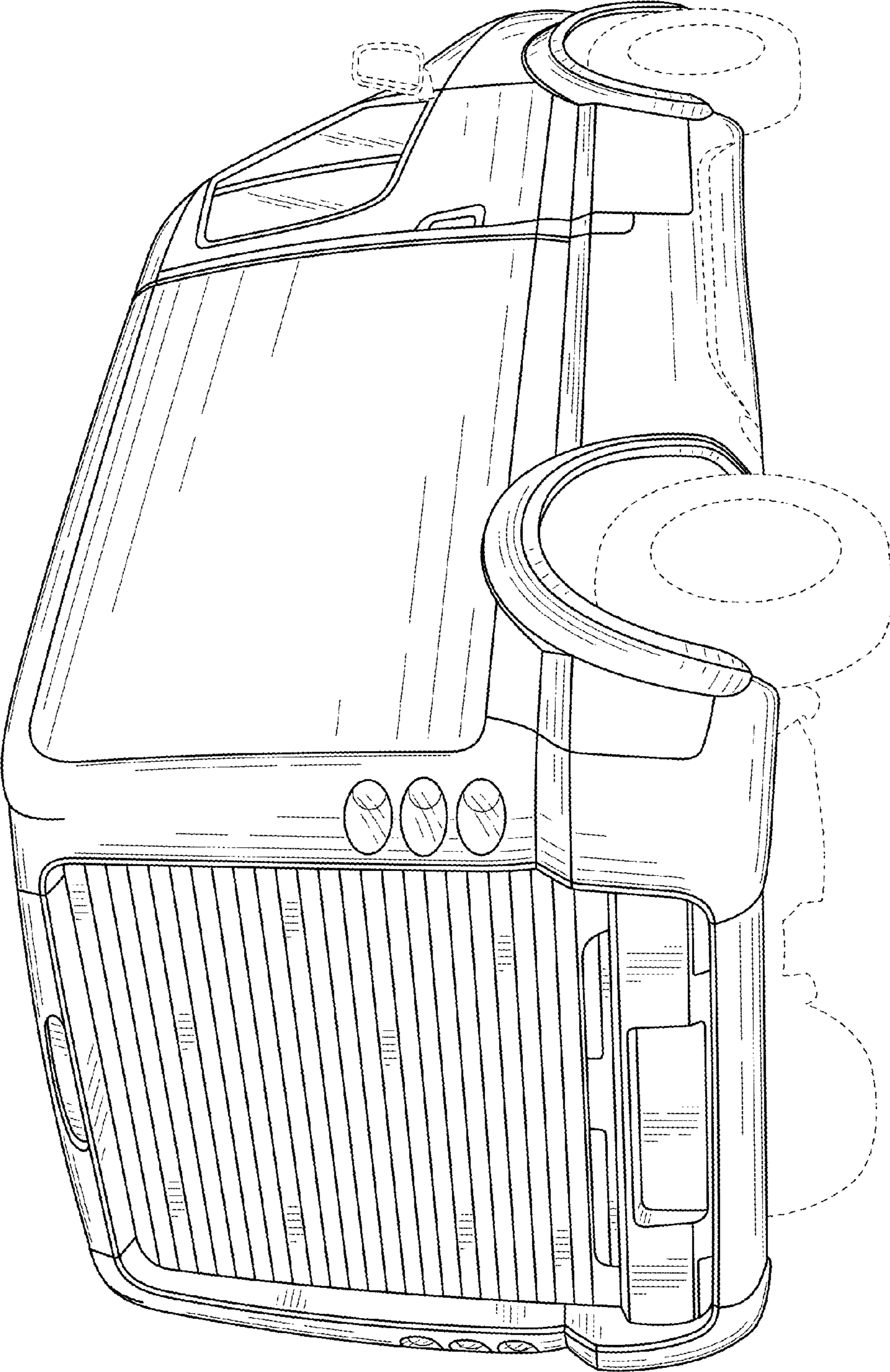


FIG. 4

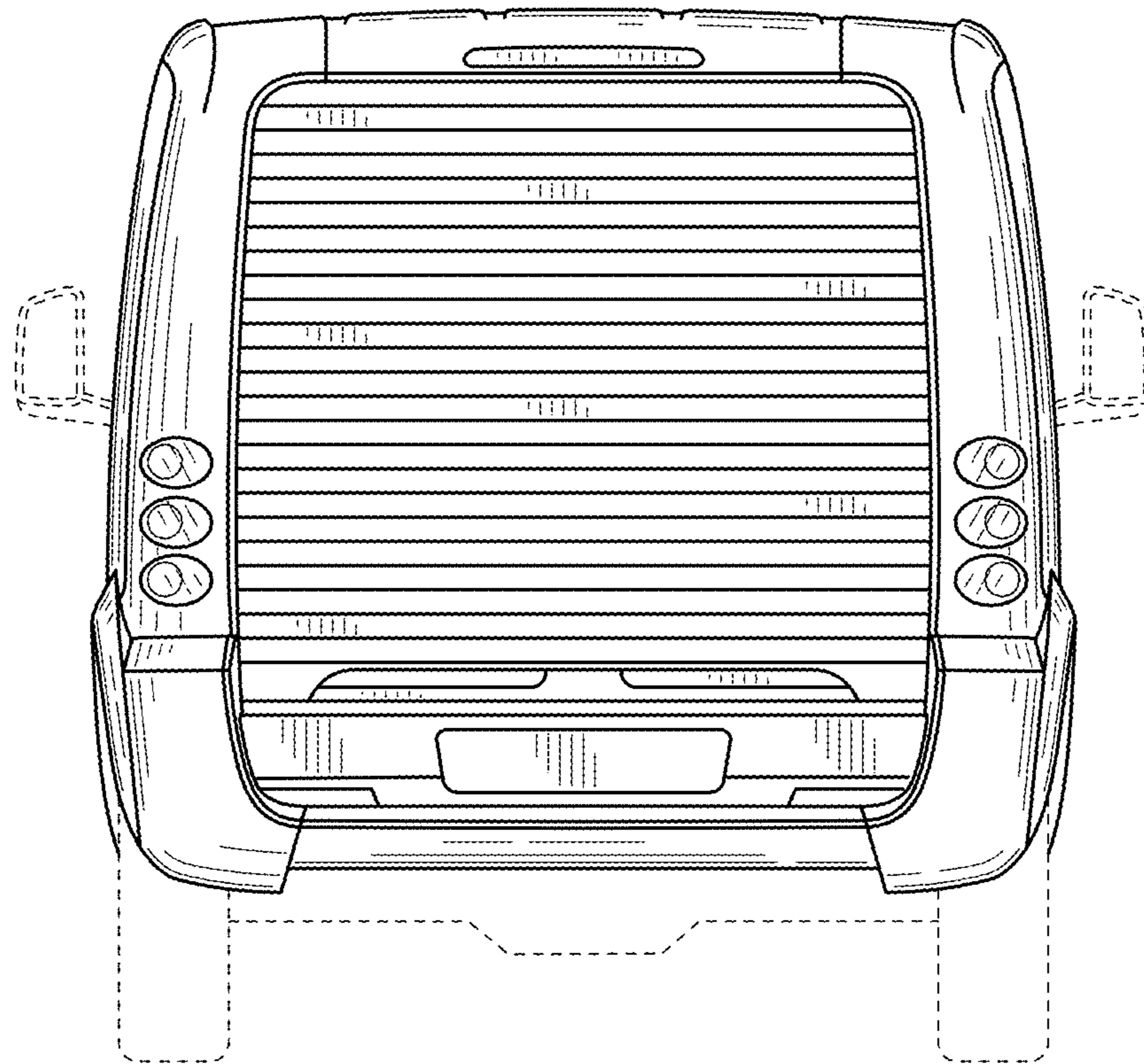


FIG. 5

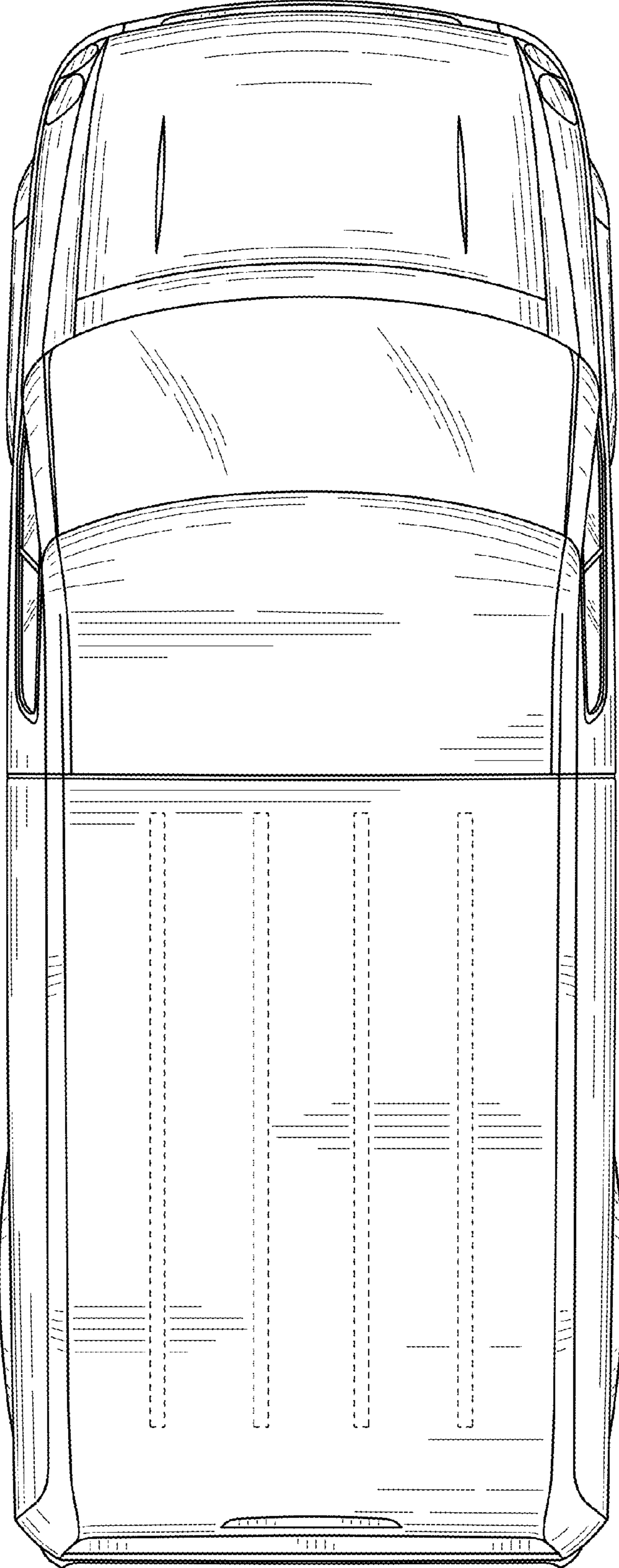


FIG. 6