



US00D700099S

(12) **United States Design Patent**  
**Barley et al.**

(10) **Patent No.:** **US D700,099 S**

(45) **Date of Patent:** **\*\* Feb. 25, 2014**

(54) **ELECTRONIC ANIMAL CALL**

(71) Applicant: **WGI Innovations, Ltd.**, Grand Prairie, TX (US)

(72) Inventors: **Christopher B. Barley**, Grand Prairie, TX (US); **Clark Patrick McCune**, Jenks, OK (US); **James Brandon Roach**, Grand Prairie, TX (US)

(73) Assignee: **WGI Innovations, Ltd.**, Grand Prairie, TX (US)

(\*\*) Term: **14 Years**

(21) Appl. No.: **29/435,590**

(22) Filed: **Oct. 25, 2012**

(51) **LOC (10) Cl.** ..... **10-05**

(52) **U.S. Cl.**  
USPC ..... **D10/119.1**

(58) **Field of Classification Search**  
USPC ..... D10/119.1, 119.3; 434/319  
See application file for complete search history.

(56) **References Cited**

**U.S. PATENT DOCUMENTS**

D189,354 S	11/1960	Taylor	
D271,968 S	12/1983	Segan et al.	
5,859,915 A	1/1999	Norris	
D488,736 S	4/2004	Wiggerman	
D508,720 S	8/2005	Yuen	
D568,195 S	5/2008	Solow	
D605,067 S	12/2009	Dir	
D641,273 S *	7/2011	Barley et al. ....	D10/119.1
D641,275 S *	7/2011	Barley et al. ....	D10/119.1
2008/0118904 A1 *	5/2008	Allen .....	434/319

**OTHER PUBLICATIONS**

Gander Mountain, Extreme Dimensions Mini Phantom Digital Predator Call, 2 web pages; Extreme Dimension Phantom Digital

Call Speaker, 1 web page; Extreme Dimensions Mini Phantom Remote Digital Call, 2 web pages; Cass Creek Electronic Fox Call, 2 web pages; Cass Creek Mini Series Predator Electronic Call, 2 web pages; Cass Creek Nomad Series Predator call, 2 web pages; FoxPro SpitFire Digital Call, 2 web pages; FoxPro Fury 1000 Digital Game Call, 2 web pages; gandermountain.com/.../details. Mar. 19, 2010. Cass Creek Nomad Wild Boar Receiver Only, 1 web page, casscreek.com/.../69-Nomad-Wild Boar; Big Horn Remote Speaker, 1 web page, casscreek.com/.../55-Big-Horn-Remote; Ampli-Fire Moose/Deer Combo Call, 1 web page, casscreek.com/.../65-Ampli-Fire-Moose. Mar. 19, 2010.

Cabela's, FoxPro TX-500 Fury Electronic Caller, 2 web pages; Western River Nite Stalker Electronic Call, 2 web pages; Western Rivers Apache Game Caller, 2 web pages; Primos Power Dogg Electronic Call, 2 web pages, cabelas.com/.../standard-item, Mar. 19, 2010.

(Continued)

*Primary Examiner* — George D Kirschbaum

(74) *Attorney, Agent, or Firm* — Geoffrey A. Mantooth

(57) **CLAIM**

The ornamental design for an electronic animal call, as shown and described.

**DESCRIPTION**

FIG. 1 is a perspective top, left and front side view of an electronic animal call, showing our new design;

FIG. 2 is a perspective bottom, right and front side view thereof;

FIG. 3 is a front side view thereof;

FIG. 4 is a rear side view thereof;

FIG. 5 is a top side view thereof;

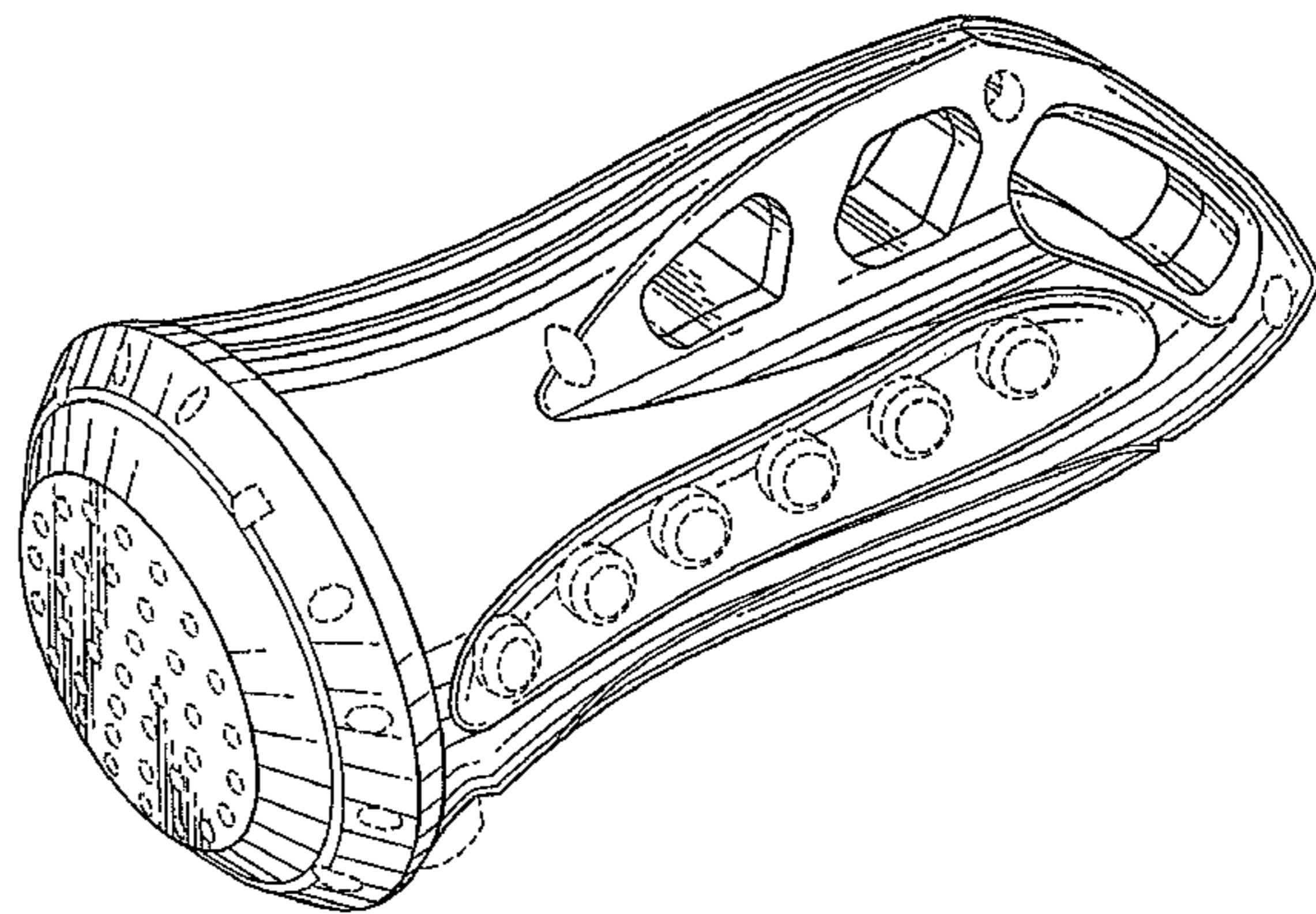
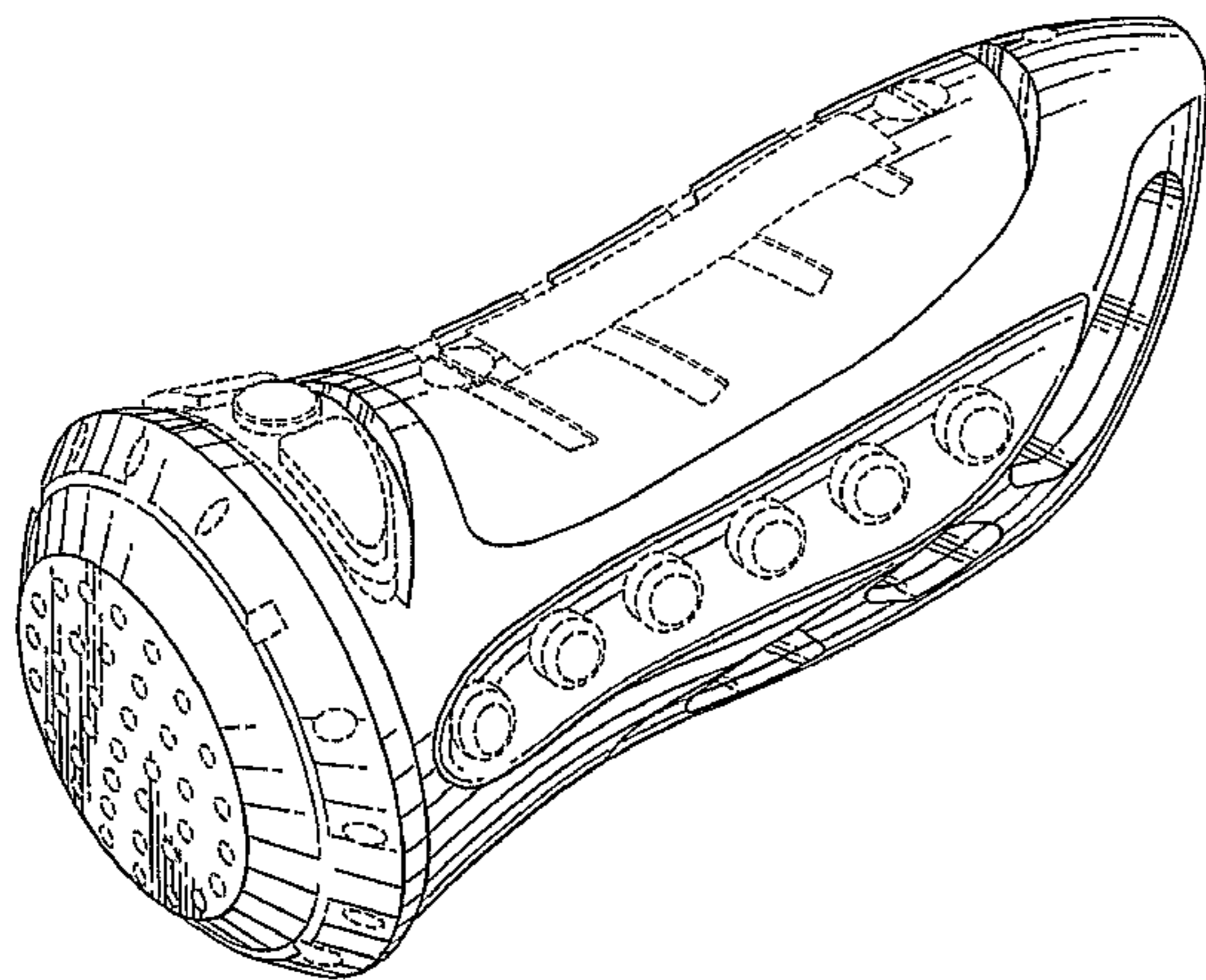
FIG. 6 is a bottom side view thereof;

FIG. 7 is a right side view thereof; and,

FIG. 8 is a left side view thereof.

The portions of the article in broken lines are for illustrative purposes only and form no part of the claimed design.

**1 Claim, 4 Drawing Sheets**



(56)

**References Cited**

OTHER PUBLICATIONS

Midway USA, FoxPro FX Electronic Predator Game Call, 2 web pages, [midwayusa.com/viewProduct?](http://midwayusa.com/viewProduct?) Mar. 19, 2010.

Primos Hunting Calls, Electronic Calls, 1 web page, [primos.com/c-8-electroniccalls](http://primos.com/c-8-electroniccalls); e-Deer Electronic Calls, 2 web pages, [shop.primos.com/pc-789-8-e-deer](http://shop.primos.com/pc-789-8-e-deer). Mar. 19, 2010.

GameCalls.Net, Johnny Stewart Attractor Crow Call 1 w/Remote, 1 web page, [gamecalls.net/Johnny\\_Stewart](http://gamecalls.net/Johnny_Stewart); Western Rivers Predation Deer Mini, 1 web page, [gamecalls.net/Western\\_Rivers](http://gamecalls.net/Western_Rivers); Woods Wise Replicator Digital Coyote, 1 web page, [gamecalls.net/woods\\_wise](http://gamecalls.net/woods_wise); Knight & Hale Total eCall..., 2 web pages, [gamecalls.net/Knight\\_Hale](http://gamecalls.net/Knight_Hale). Mar. 19, 2010.

Johnny Stewart Wildlife Calls, Preymaster Digital Caller, 1 web page, Wireless Preymaster Digital Caller, 1 web page, [johnnystewart.com/.../update\\_display](http://johnnystewart.com/.../update_display). Mar. 19, 2010.

Primos Hunting, Turbo Dogg, 2 web pages, [primos.com/products/predator-calls](http://primos.com/products/predator-calls). Sep. 17, 2012.

Primos Power Dogg Electronic Game Call, 2 web pages, [milonajoenterprises.com/product/primos-power-dog](http://milonajoenterprises.com/product/primos-power-dog). Sep. 17, 2012.

Cass Creek Ergo Deer Electronic game Call, 2 web pages, [casscreek.com/cass-creek-ergo-deer](http://casscreek.com/cass-creek-ergo-deer). Sep. 17, 2012.

Cabela's, Extreme Dimension Mini Phantom Digital Game Callers, 2 web pages, [cabelas.com/electronic-calls-extreme](http://cabelas.com/electronic-calls-extreme). Sep. 17, 2012.

FoxPro Inc. High Performance Game Calls: WF1, photographs from FoxPro of Wildfire Game call, 5 web pages, [gofoxpro.com/site/products](http://gofoxpro.com/site/products). Sep. 17, 2012.

\* cited by examiner



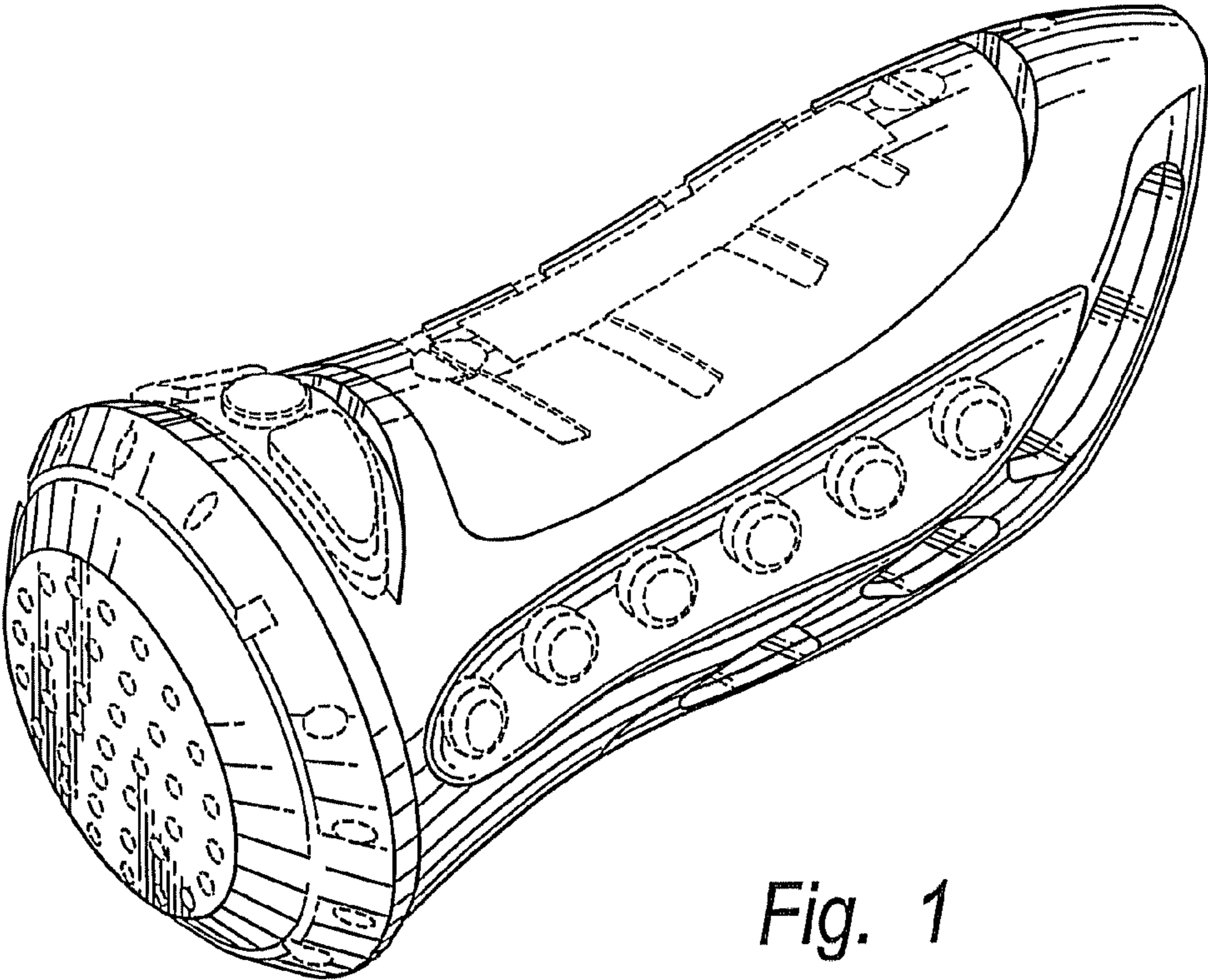


Fig. 1

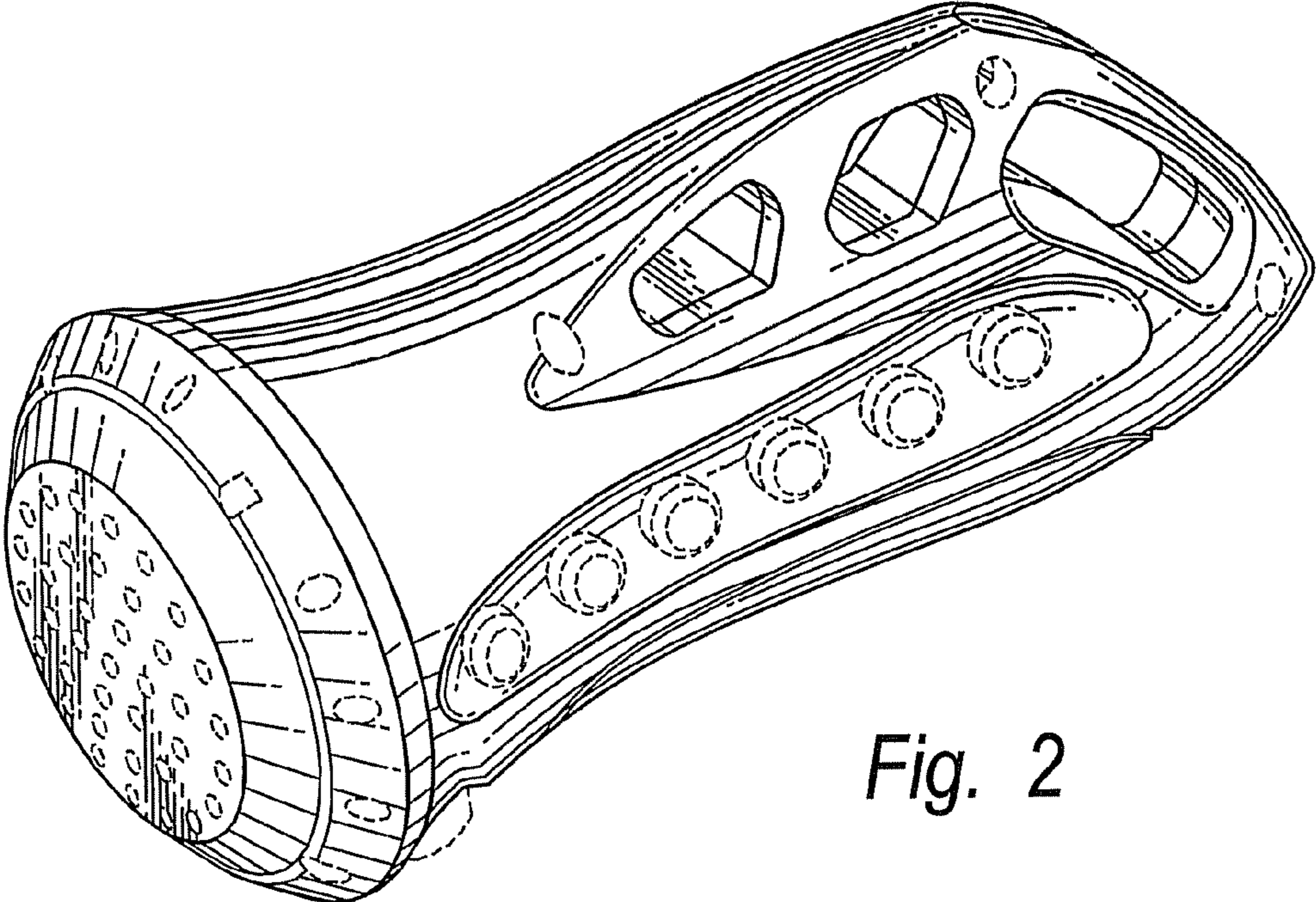
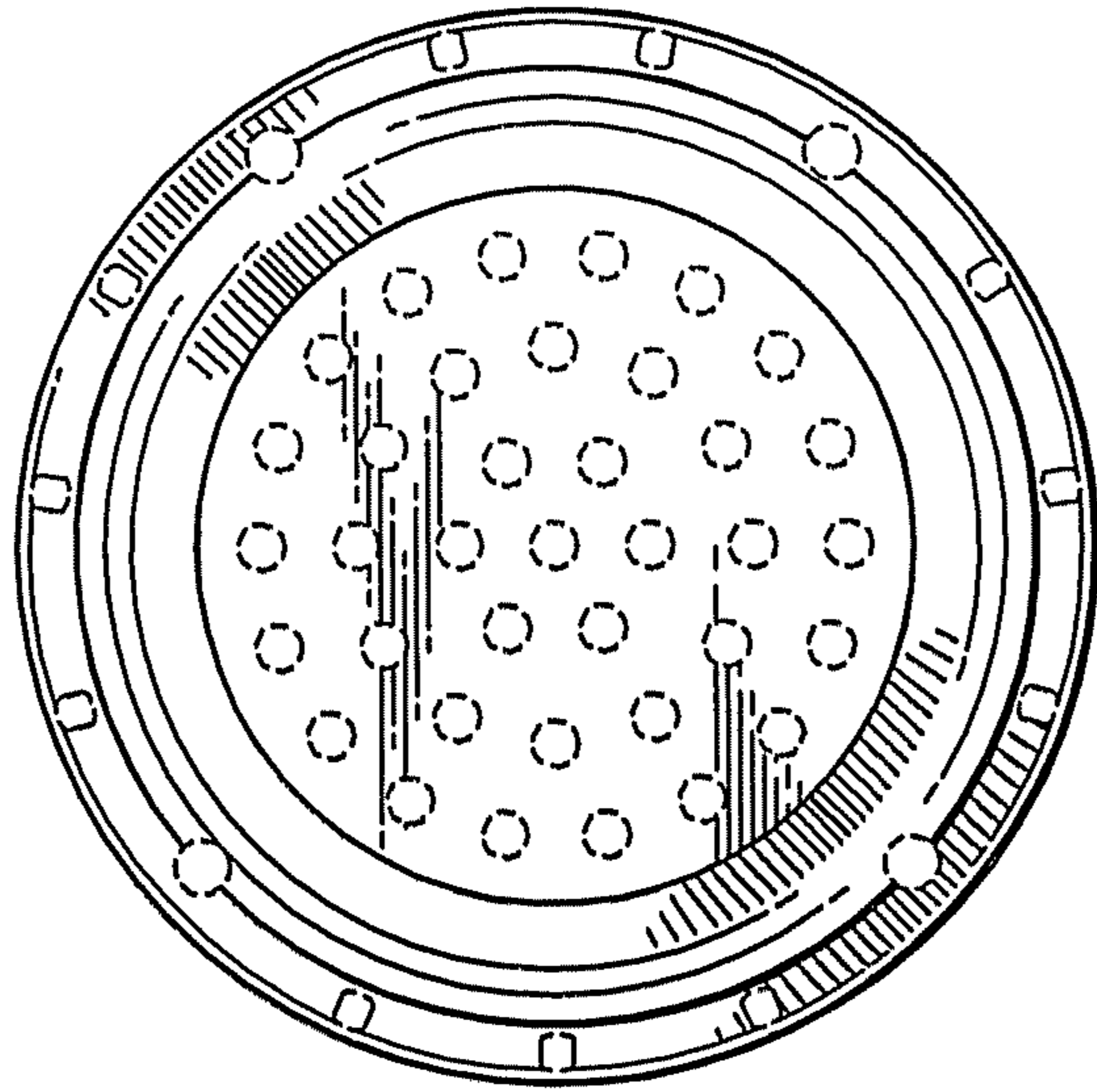
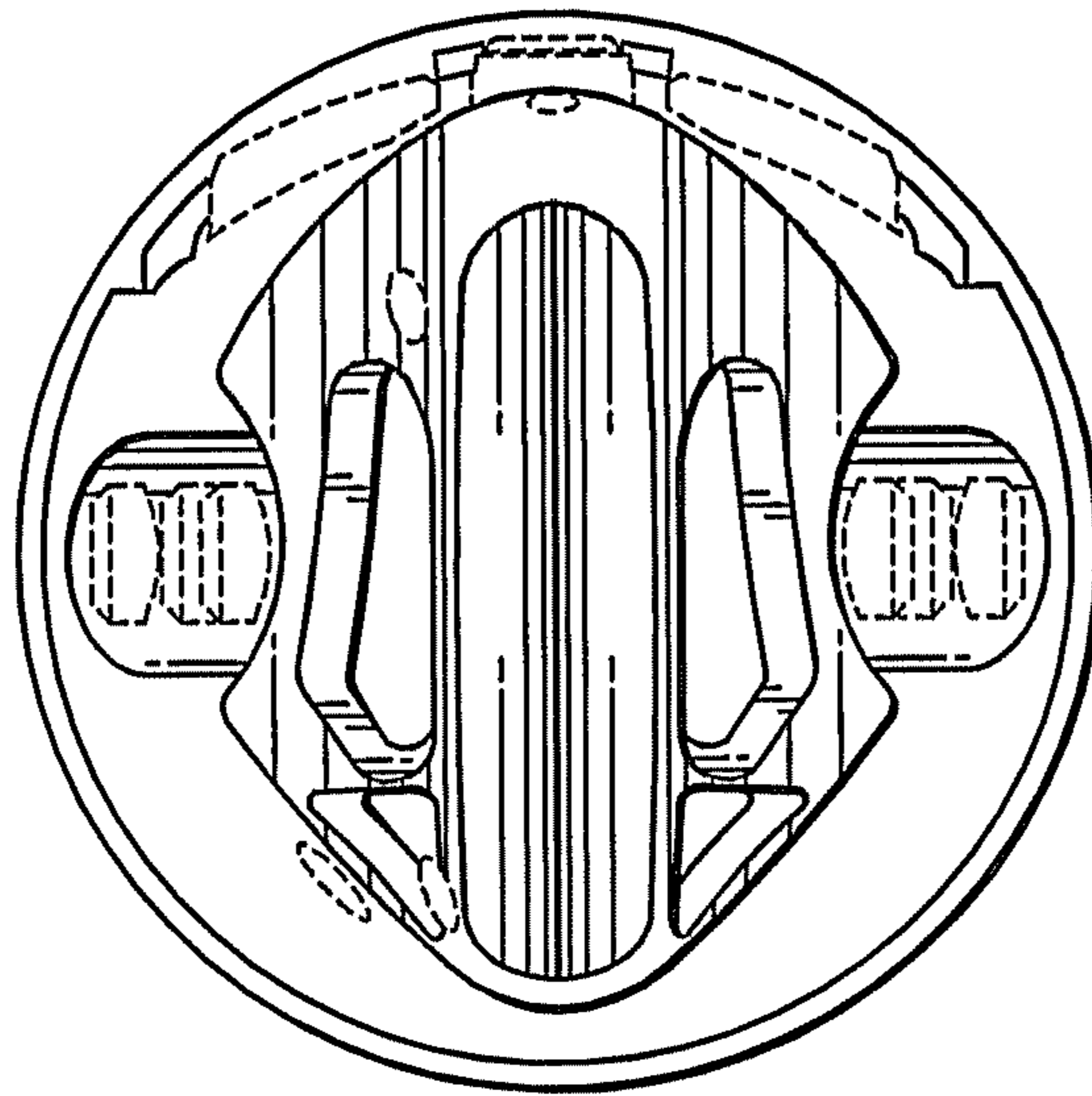


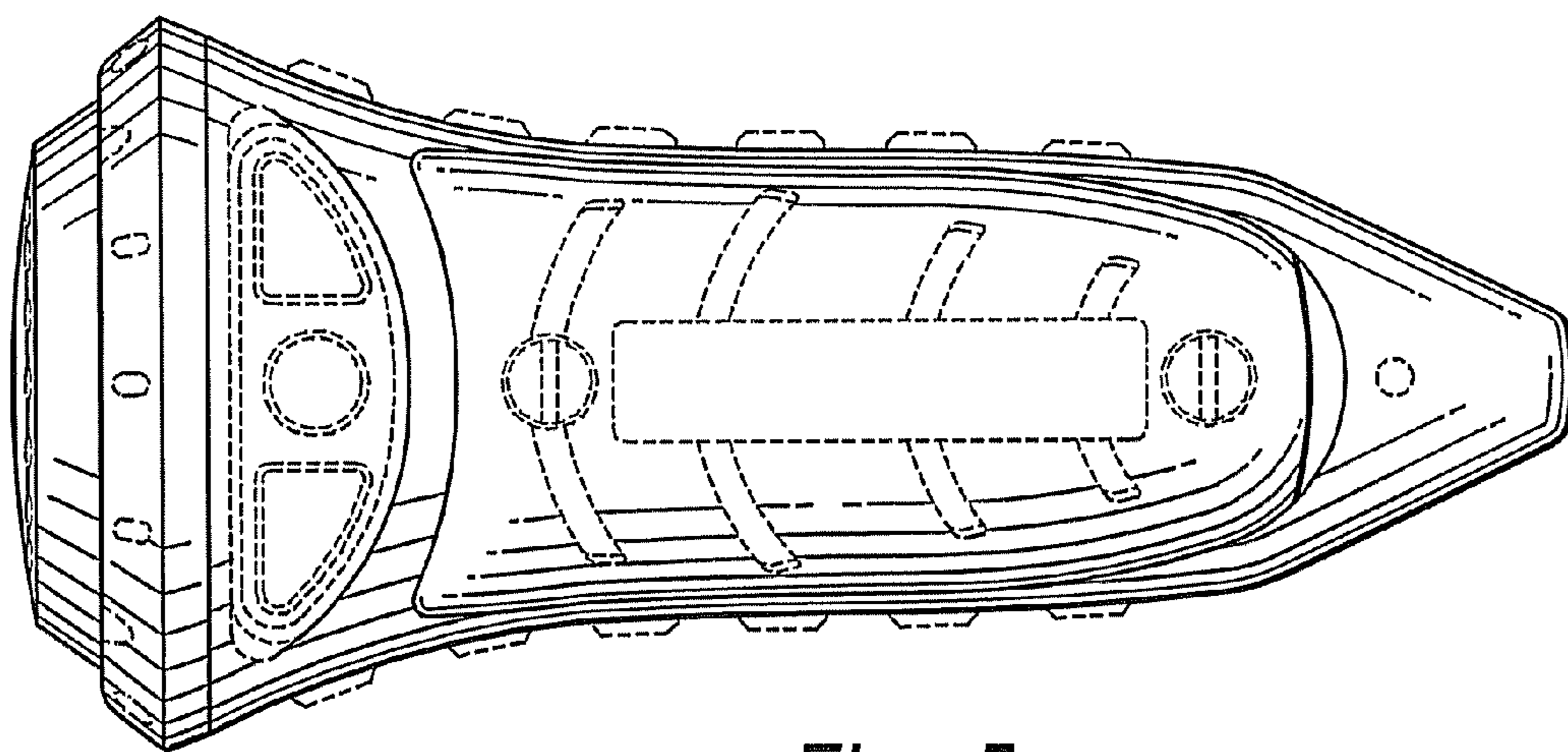
Fig. 2



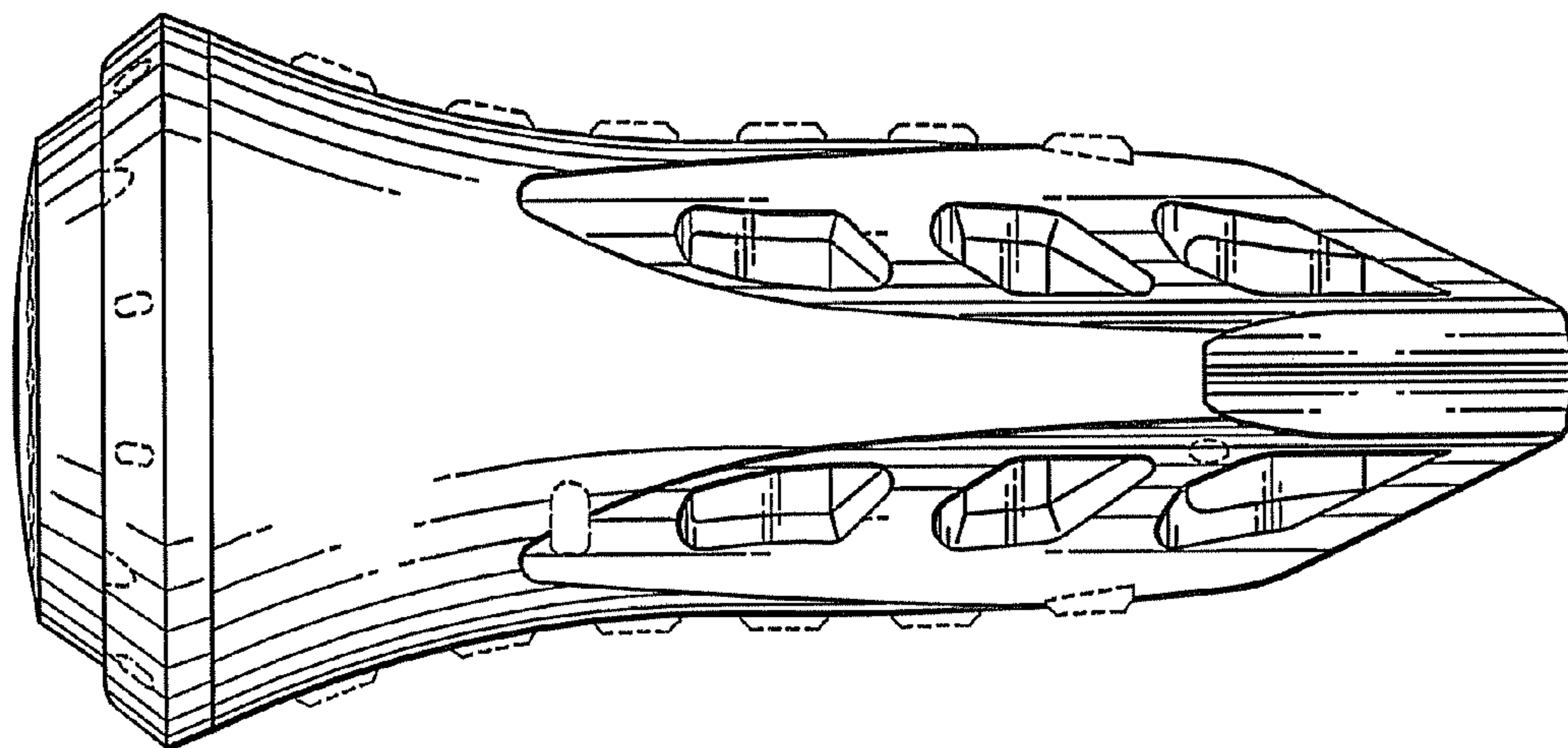
*Fig. 3*



*Fig. 4*



*Fig. 5*



*Fig. 6*



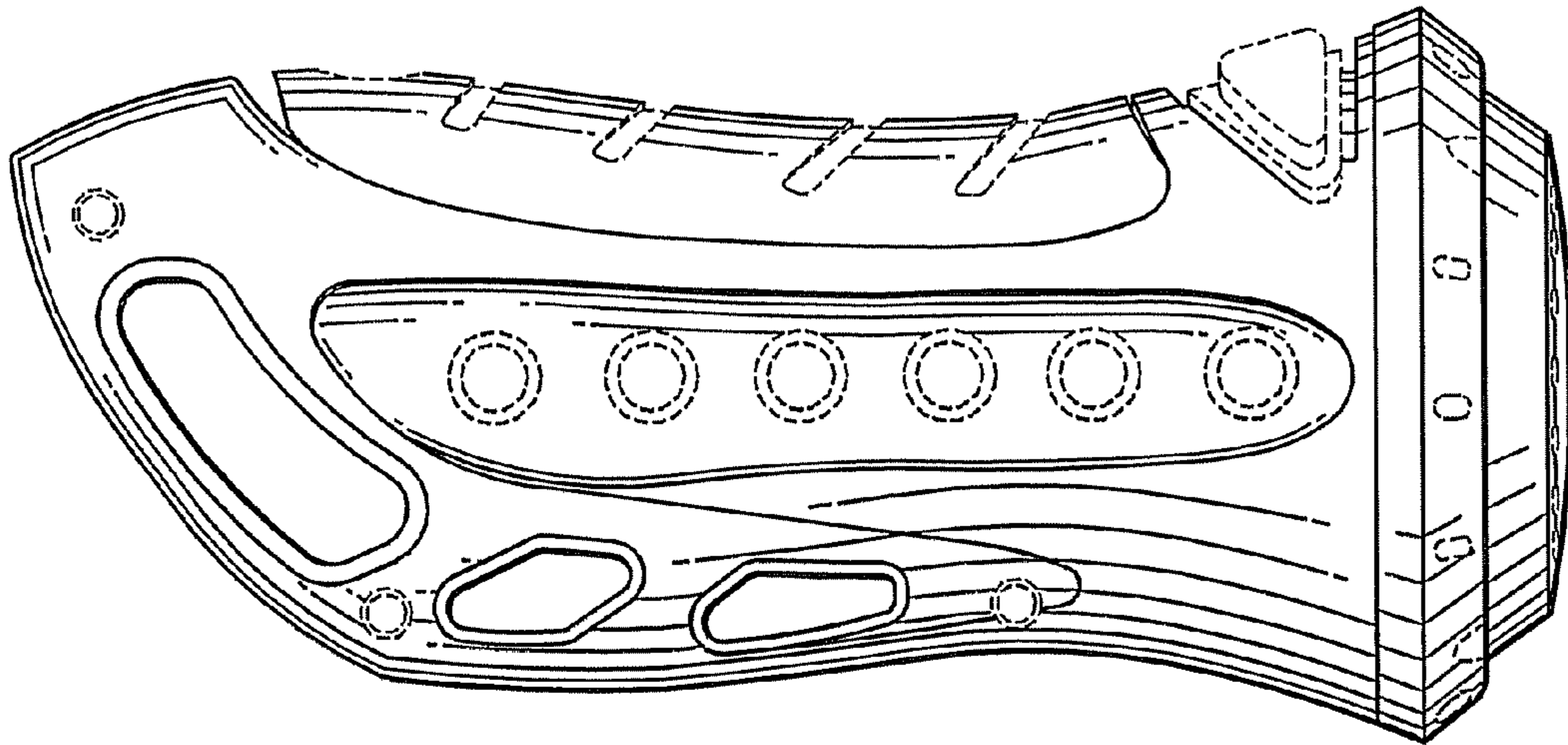


Fig. 7

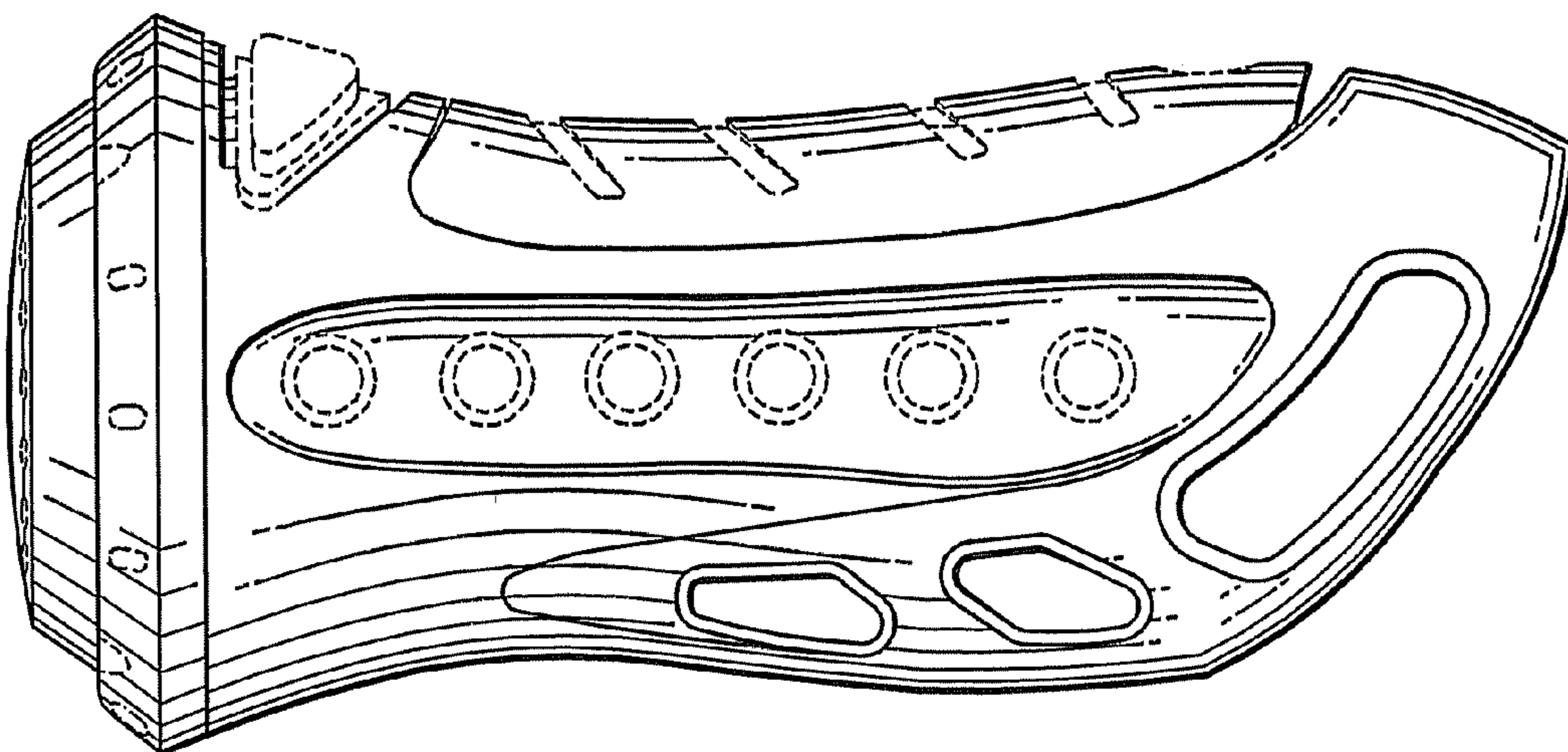


Fig. 8