



US00D700095S

(12) **United States Design Patent**  
**Dohi et al.**

(10) **Patent No.:** **US D700,095 S**

(45) **Date of Patent:** **\*\* Feb. 25, 2014**

(54) **FIRE DETECTOR**

(56) **References Cited**

(71) Applicants: **Manabu Dohi**, Tokyo (JP); **Inderprett Singh Pal**, Tokyo (JP); **Leonard Manning**, Tokyo (JP)

U.S. PATENT DOCUMENTS

D392,573 S \* 3/1998 Repp et al. .... D10/106.5  
D675,948 S \* 2/2013 Kawaguchi et al. .... D10/106.5

(72) Inventors: **Manabu Dohi**, Tokyo (JP); **Inderprett Singh Pal**, Tokyo (JP); **Leonard Manning**, Tokyo (JP)

\* cited by examiner

*Primary Examiner* — George D Kirschbaum  
(74) *Attorney, Agent, or Firm* — Andrew F. Young, Esq.;  
Lackebach Siegel, LLP

(73) Assignee: **Hochiki Corporation**, Tokyo (JP)

(\*\*) Term: **14 Years**

(57) **CLAIM**

The ornamental design for a fire detector, as shown and described.

(21) Appl. No.: **29/433,490**

**DESCRIPTION**

(22) Filed: **Oct. 1, 2012**

(30) **Foreign Application Priority Data**

Sep. 18, 2012 (JP) ..... 2012-22462

(51) **LOC (10) Cl.** ..... **10-05**

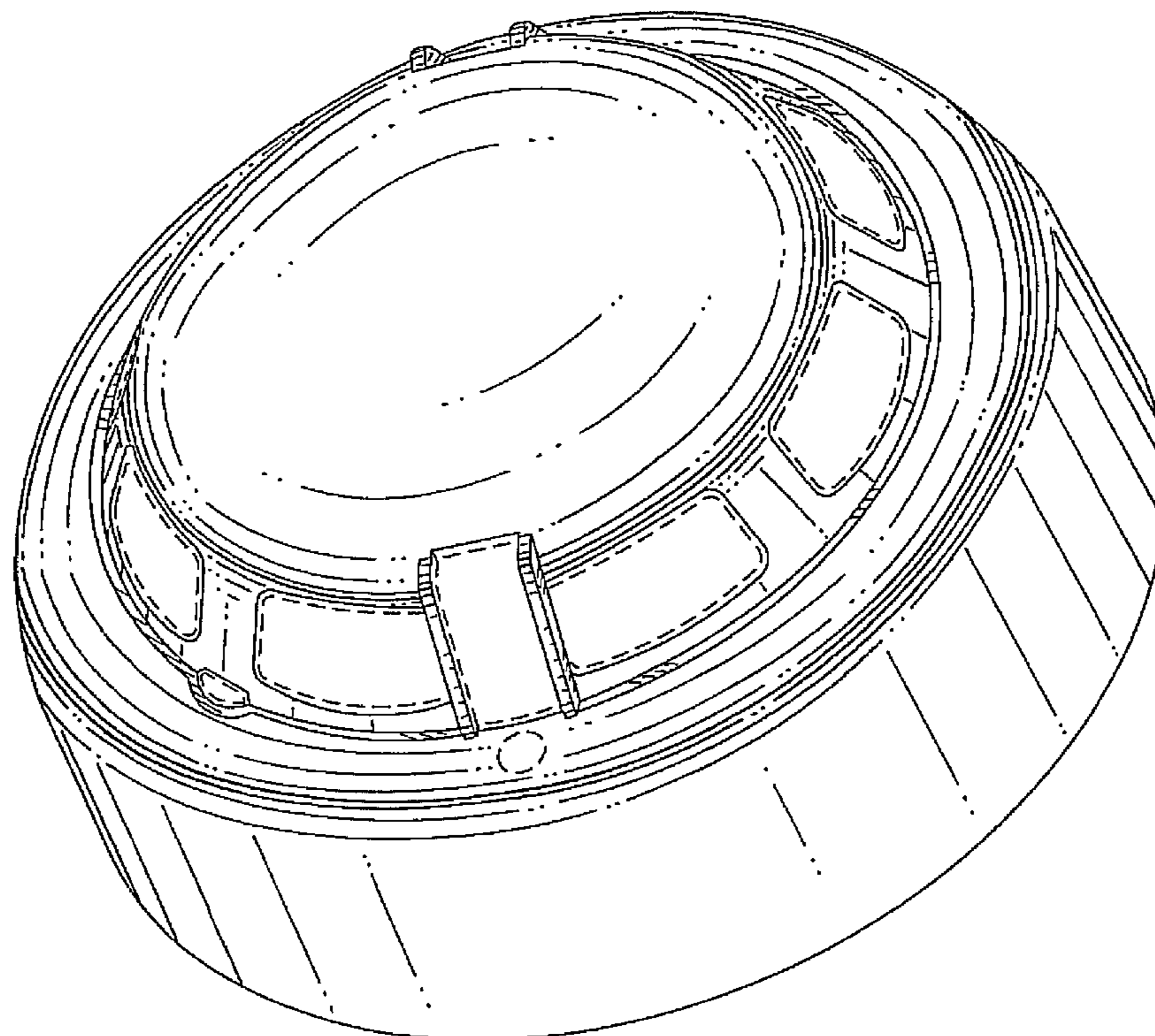
(52) **U.S. Cl.**  
USPC ..... **D10/106.5**

(58) **Field of Classification Search**  
USPC ..... D10/106.1–106.6; 340/521, 540–555,  
340/558, 571–573; 392/423; 134/21;  
362/276; 428/192

FIG. 1 is a front perspective view of the proposed design.  
FIG. 2 is a front elevation view of FIG. 1.  
FIG. 3 is a left side elevation view of FIG. 1.  
FIG. 4 is a right side elevation view of FIG. 1.  
FIG. 5 is a top plan view of FIG. 1.  
FIG. 6 is a back elevation view of FIG. 1; and,  
FIG. 7 is a bottom plan view of FIG. 1.  
The broken line showing of elements, openings and the bottom of the design is included for the purpose of illustrating portions of the “article” and forms no part of the claimed design.

See application file for complete search history.

**1 Claim, 3 Drawing Sheets**



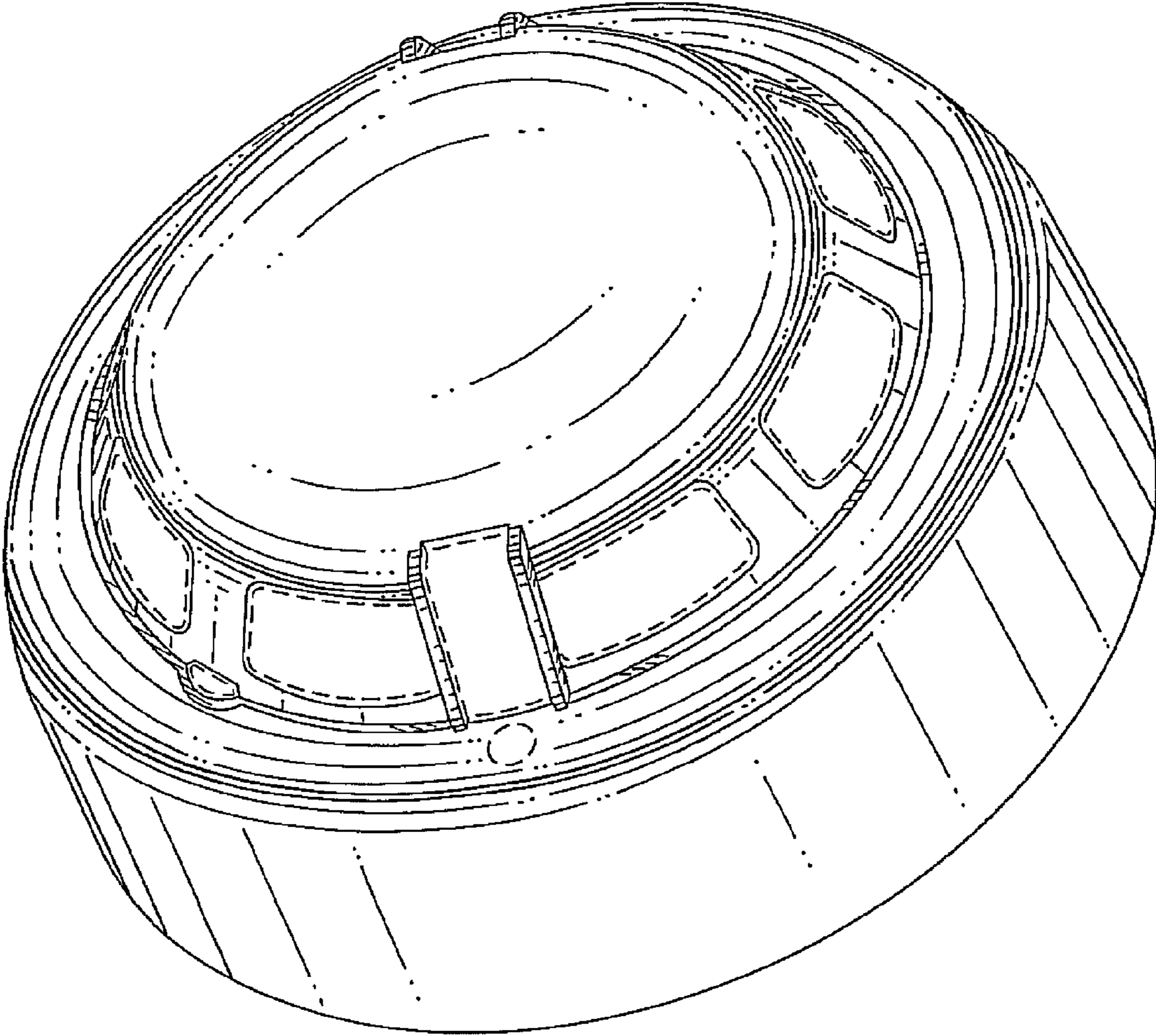


FIG. 1

FIG. 2

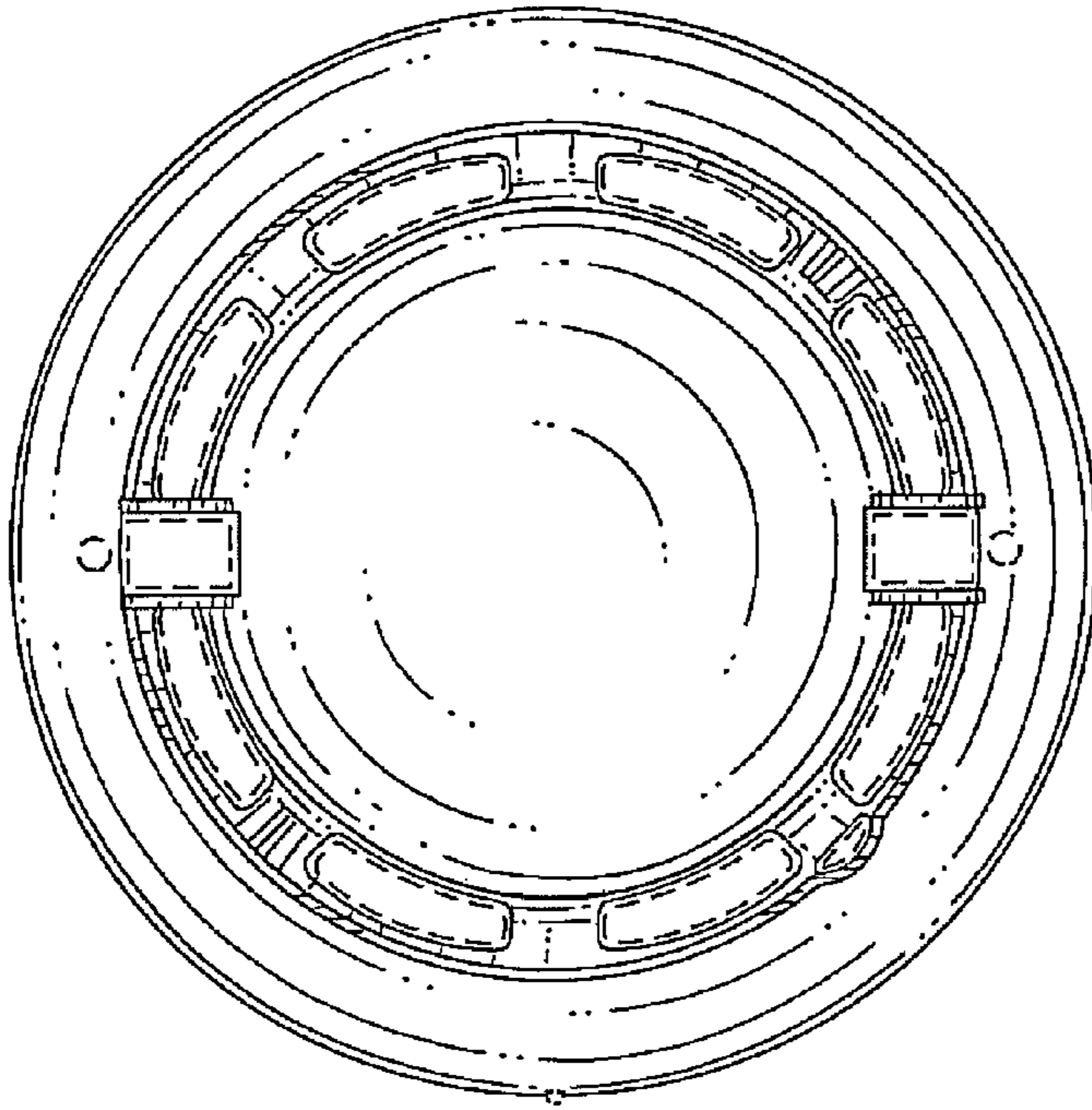


FIG. 5

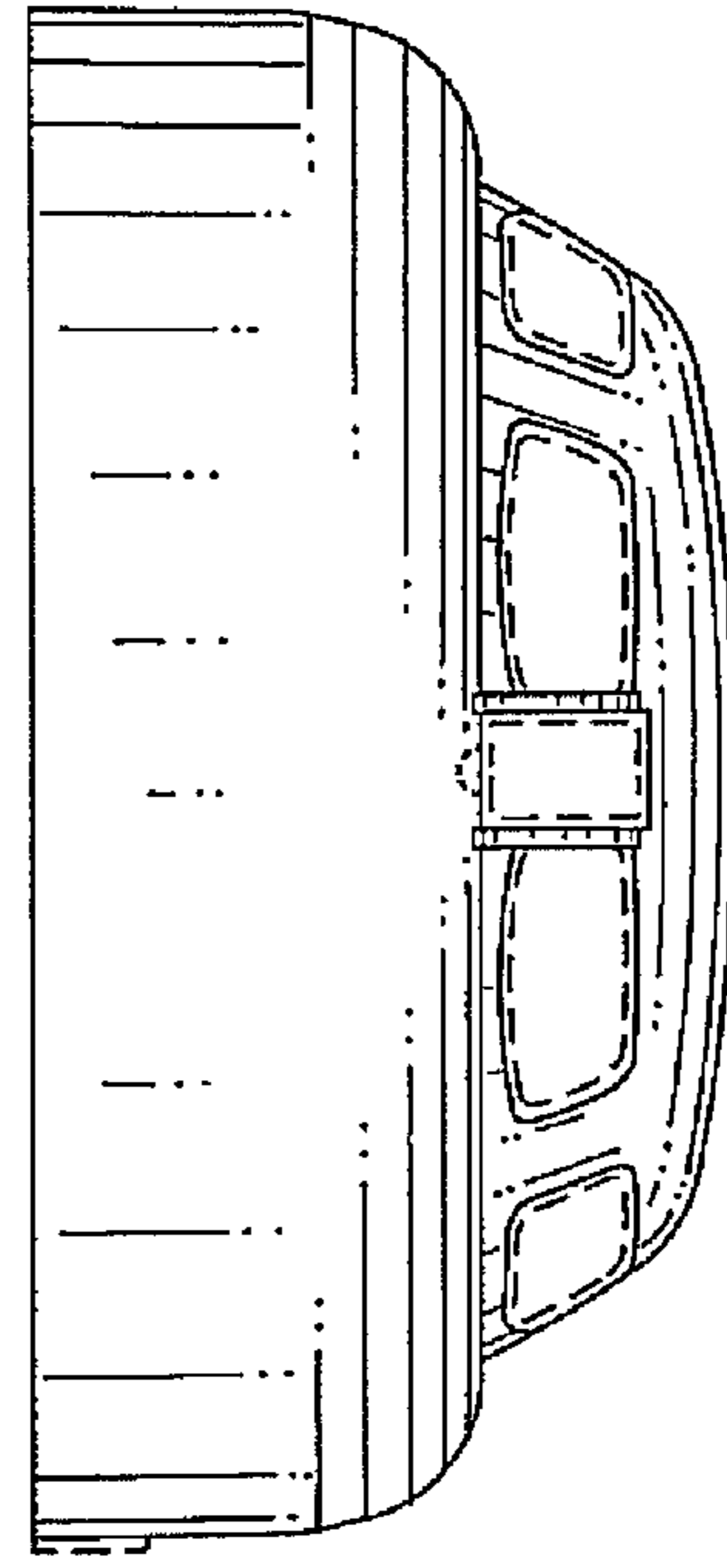
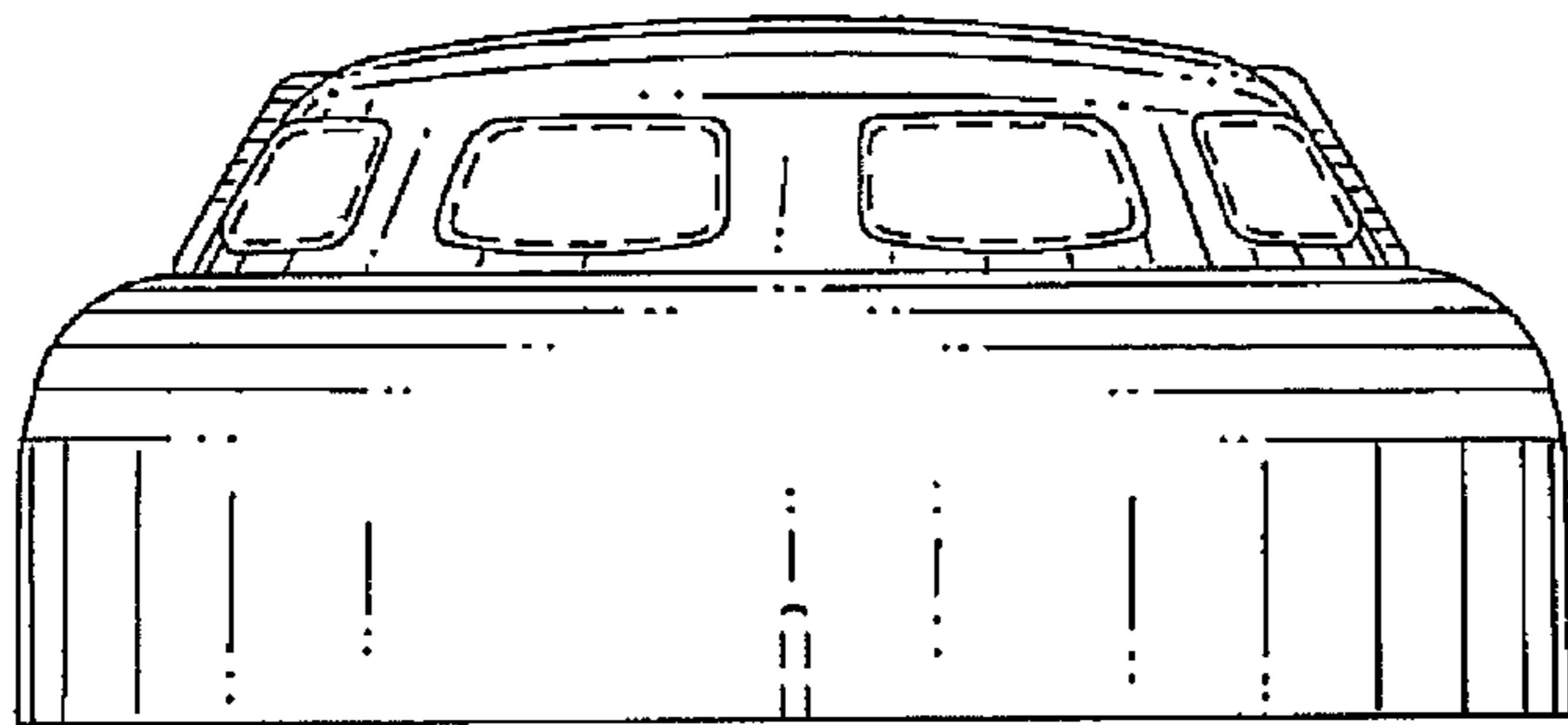


FIG. 3



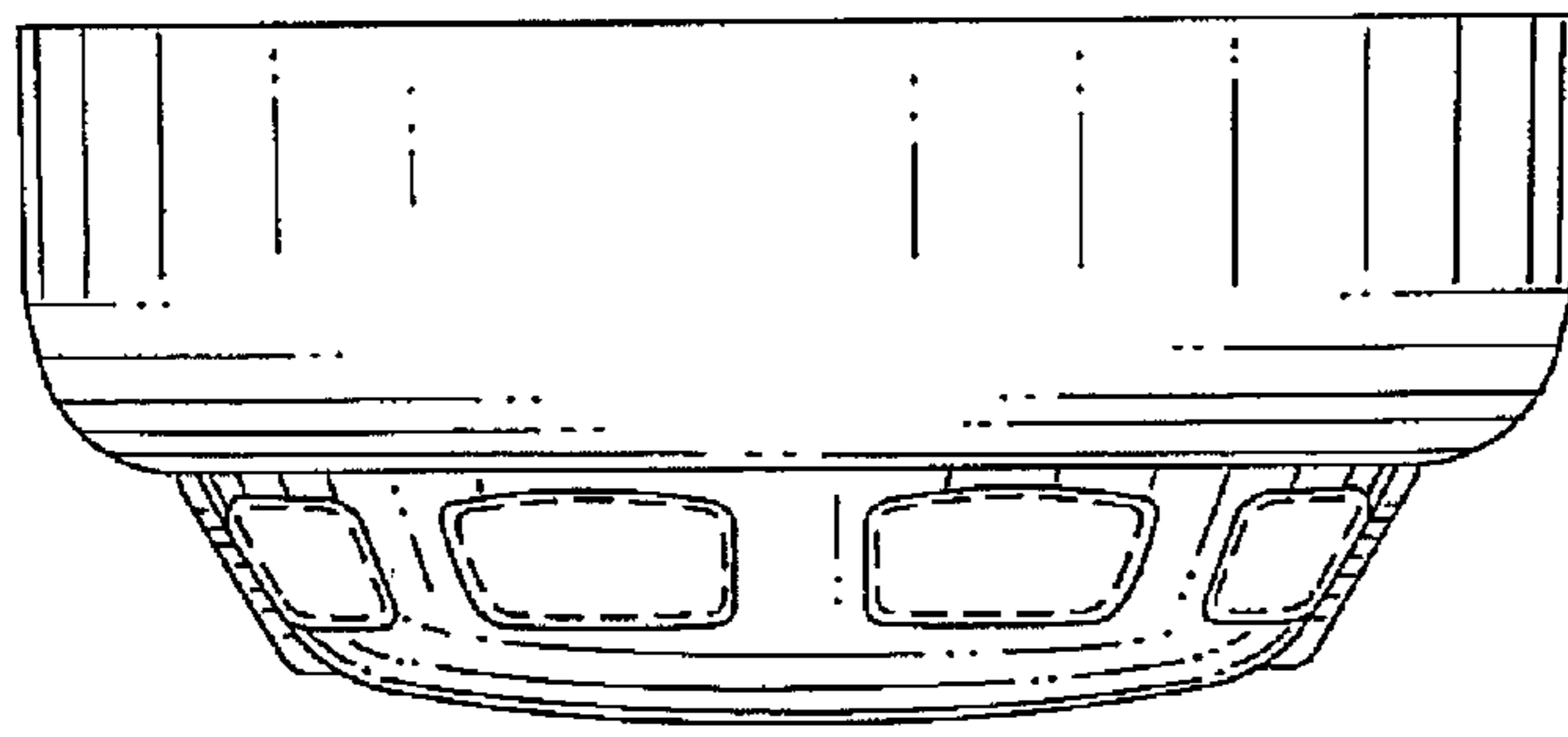


FIG. 4

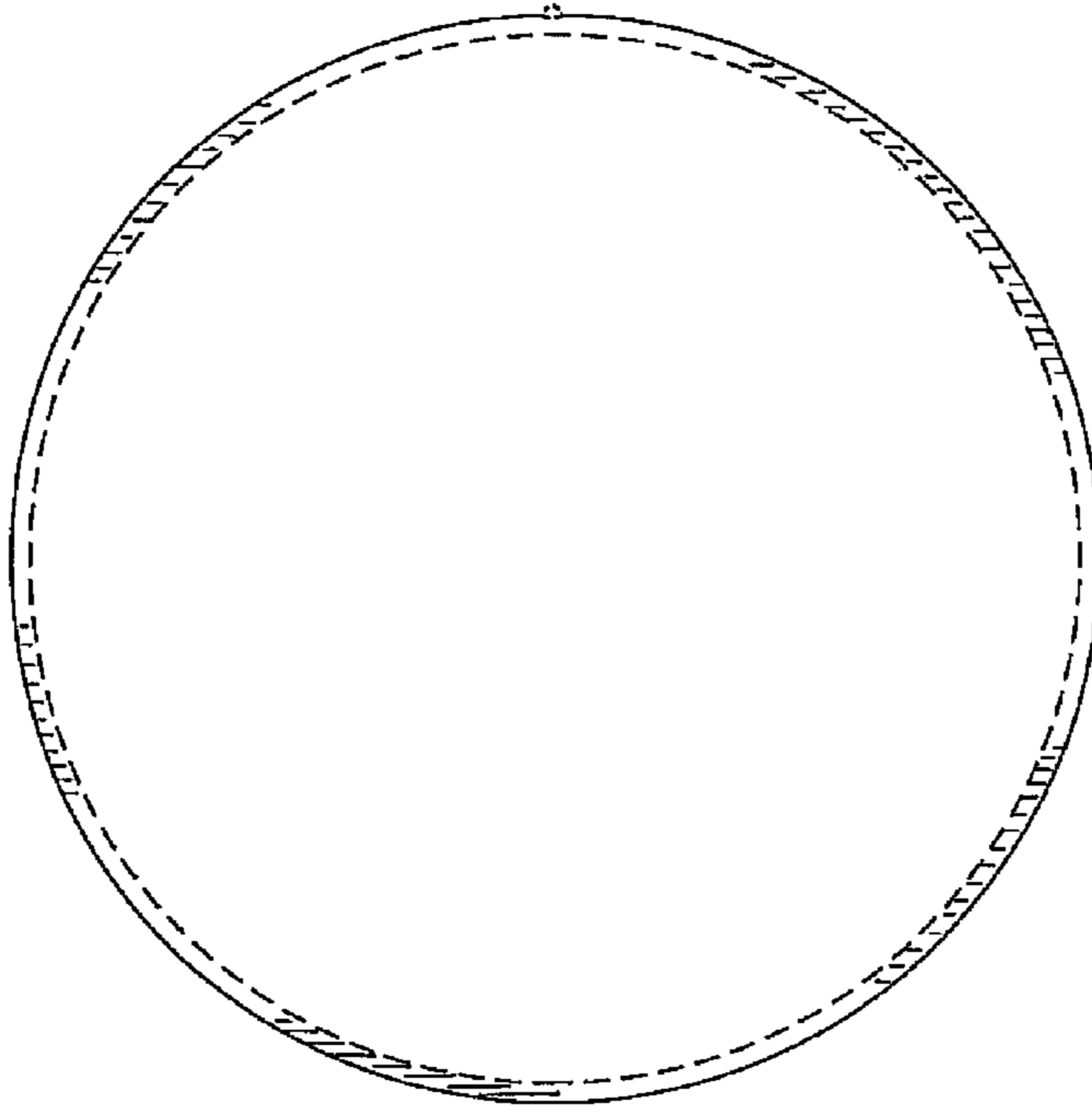


FIG. 6

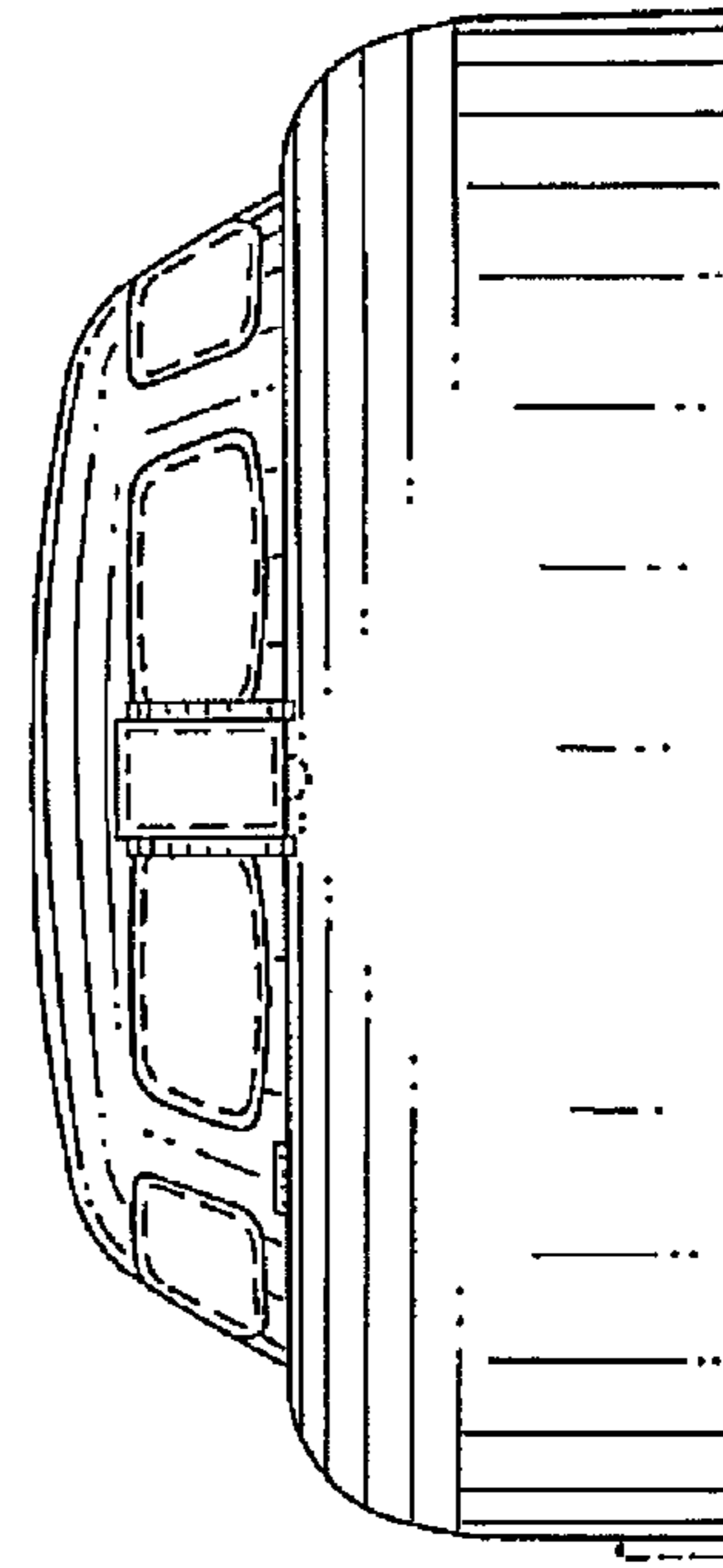


FIG. 7