



US00D700094S

(12) **United States Design Patent**
Pukall et al.

(10) **Patent No.:** **US D700,094 S**

(45) **Date of Patent:** **** Feb. 25, 2014**

(54) **WEIGHT SCALE**

(71) Applicant: **Robert Bosch GmbH**, Stuttgart (DE)

(72) Inventors: **Britta Pukall**, Wädenswil (CH);
Therese Naef, Nussbaumen (CH)

(73) Assignee: **Robert Bosch GmbH**, Stuttgart (DE)

(**) Term: **14 Years**

(21) Appl. No.: **29/458,280**

(22) Filed: **Jun. 18, 2013**

(30) **Foreign Application Priority Data**

Dec. 18, 2012 (EM) 002154575

(51) **LOC (10) Cl.** **10-04**

(52) **U.S. Cl.**
USPC **D10/92**

(58) **Field of Classification Search**
USPC D10/87, 88, 91-94; 177/2-13, 15-24,
177/25.11-29, 177, 201-215, 225-237,
177/238-243, DIG. 3, 178-182
See application file for complete search history.

(56) **References Cited**

U.S. PATENT DOCUMENTS

D292,497 S * 10/1987 Strosberg D10/92
D309,117 S * 7/1990 Carnevale D10/94

D419,895 S * 2/2000 Nagashima et al. D10/92
D476,249 S * 6/2003 van de Wiel et al. D10/92
D498,157 S * 11/2004 Kobayakawa D10/92
7,910,841 B2 * 3/2011 Germanton 177/238

* cited by examiner

Primary Examiner — Antoine D Davis

(74) *Attorney, Agent, or Firm* — Maginot, Moore & Beck

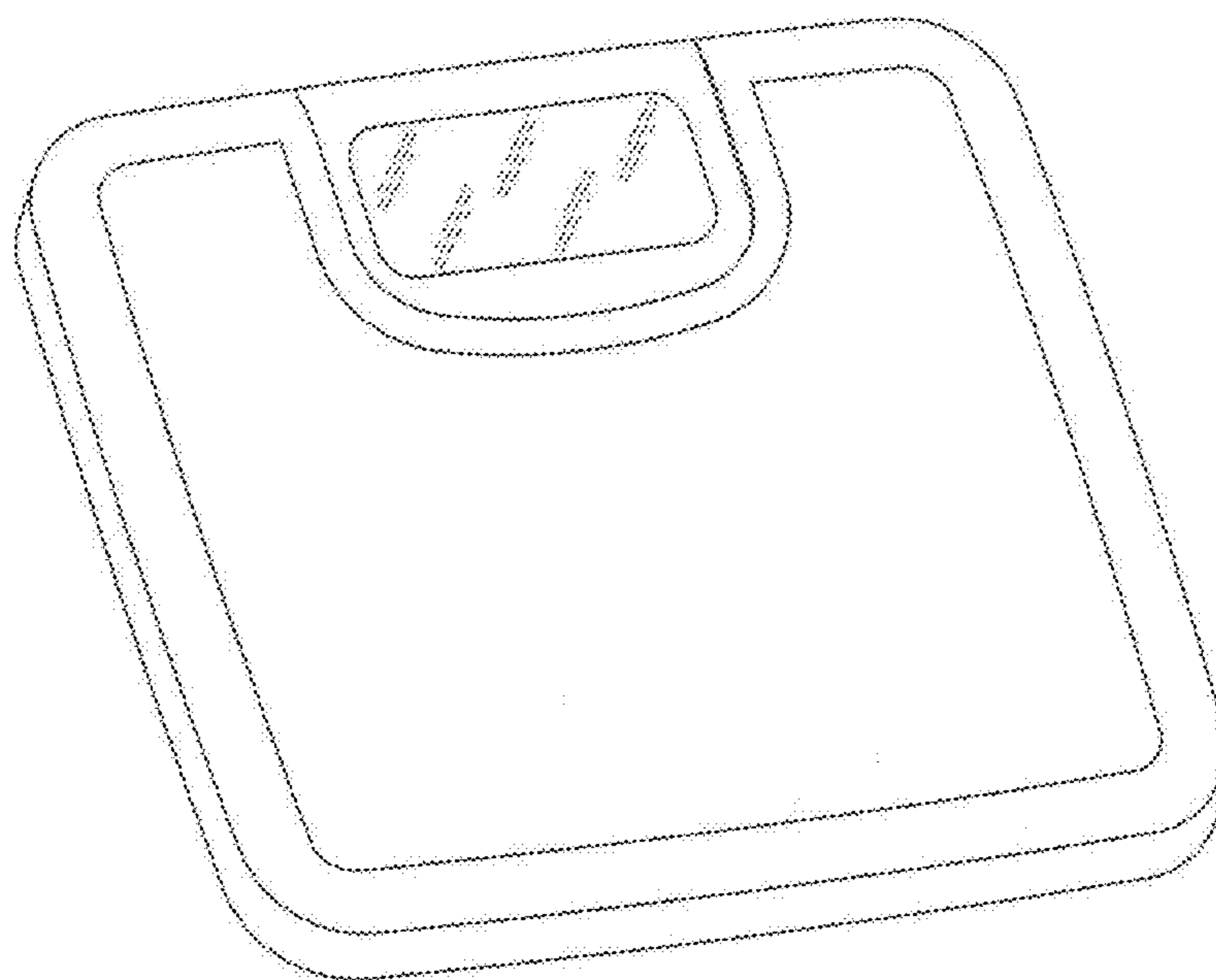
(57) **CLAIM**

The ornamental design for a weight scale, as shown and described.

DESCRIPTION

FIG. 1 is a perspective view of a weight scale showing our new design;
FIG. 2 is right side elevational view showing the design for the weight scale of FIG. 1;
FIG. 3 is a left side elevational view showing the design for the weight scale of FIG. 1;
FIG. 4 is a front elevational view showing the design for the weight scale of FIG. 1;
FIG. 5 is a rear elevational view showing the design for the weight scale of FIG. 1;
FIG. 6 is a top elevational view showing the design for the weight scale of FIG. 1; and,
FIG. 7 is a bottom elevational view showing the design for the weight scale of FIG. 1.

1 Claim, 7 Drawing Sheets



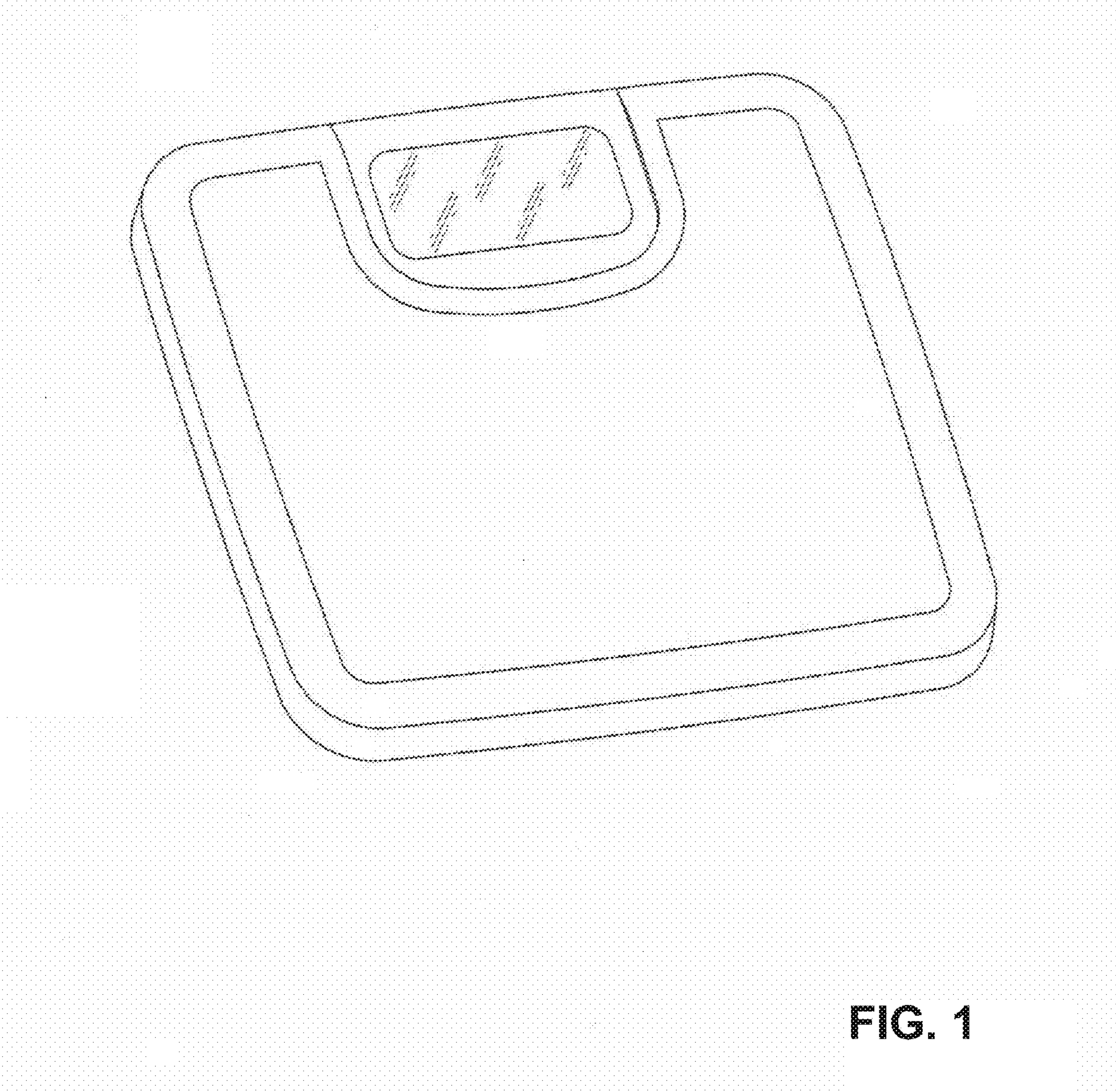


FIG. 1

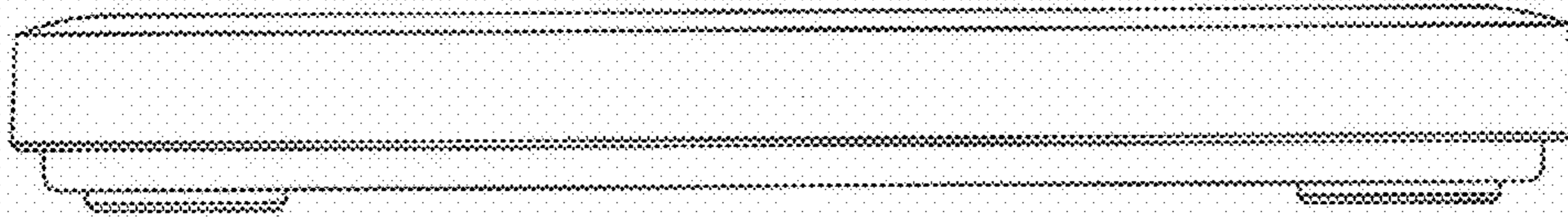


FIG. 2

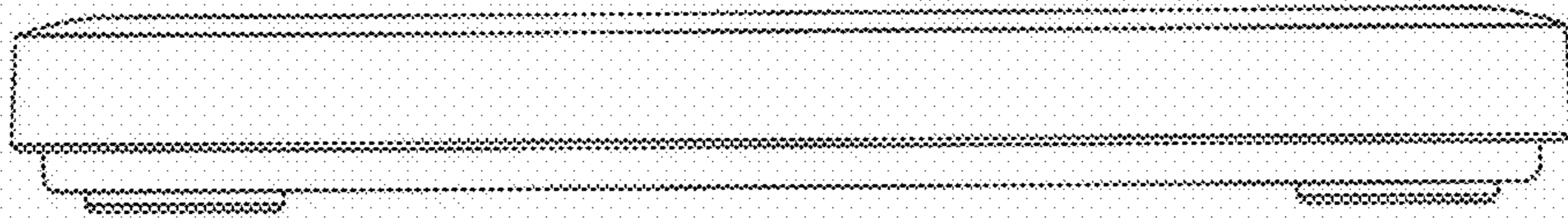


FIG. 3

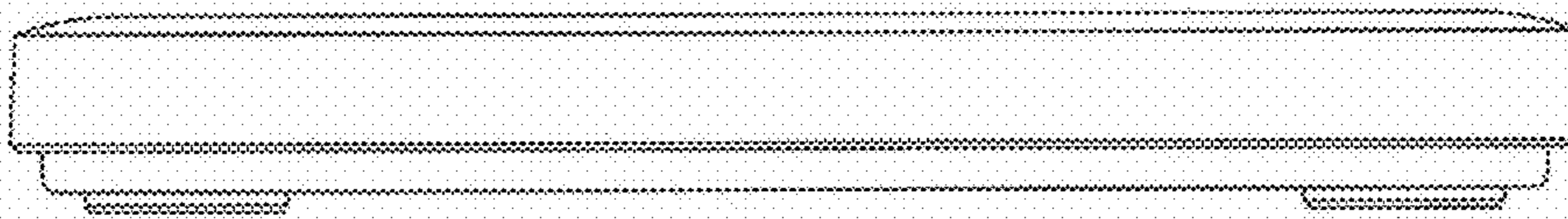


FIG. 4

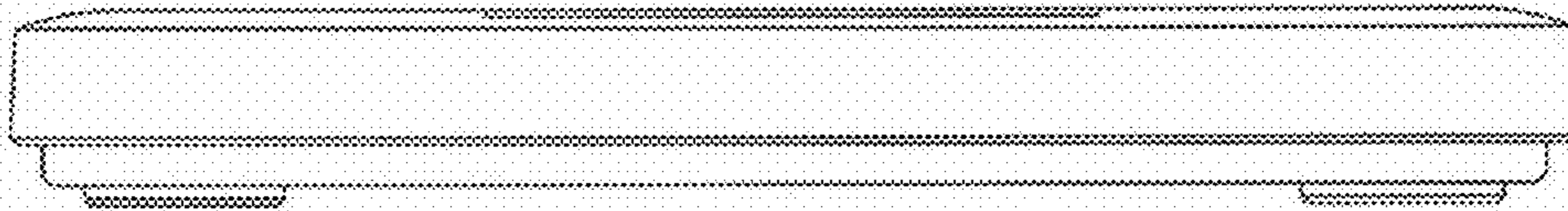


FIG. 5

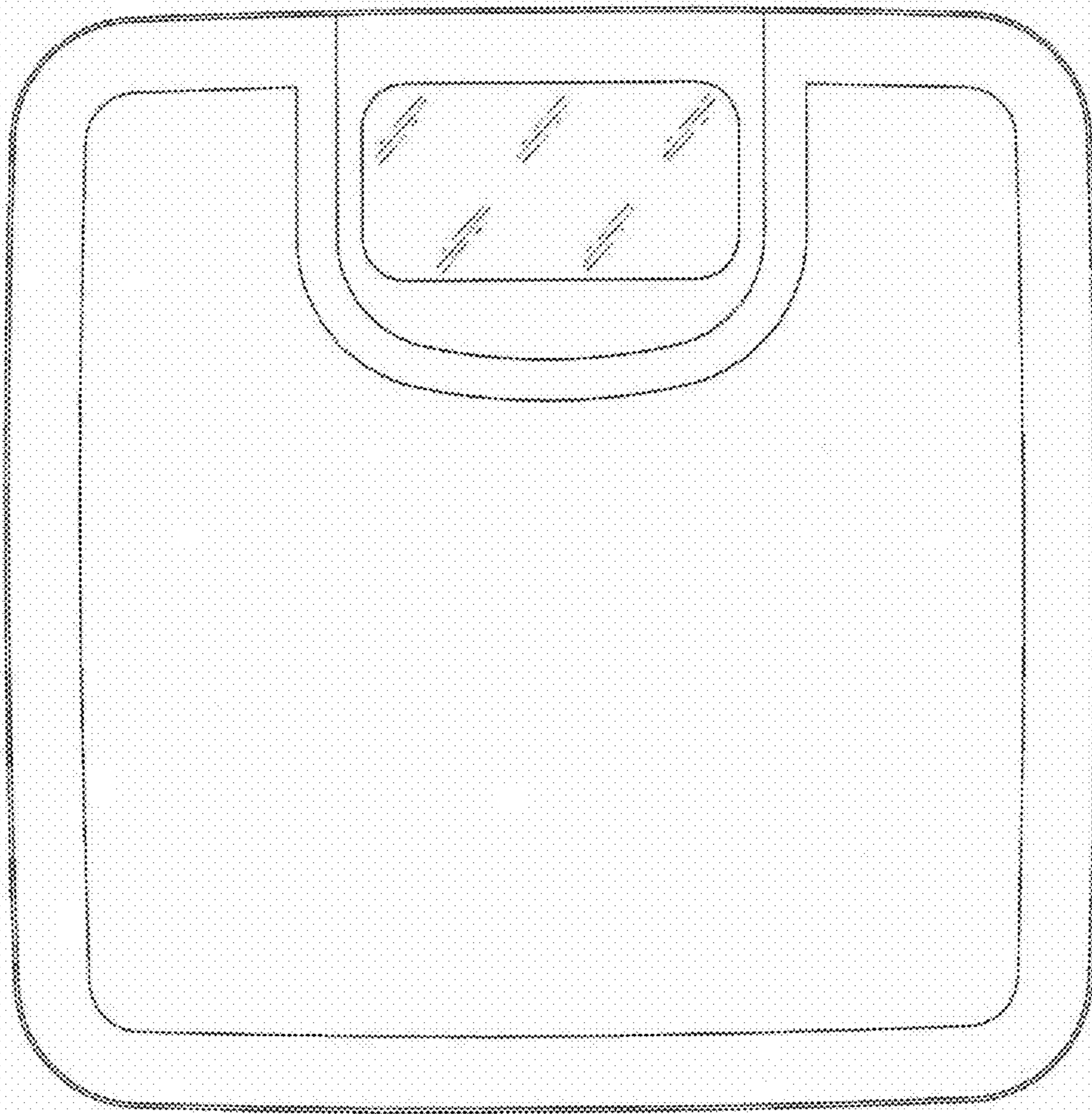


FIG. 6

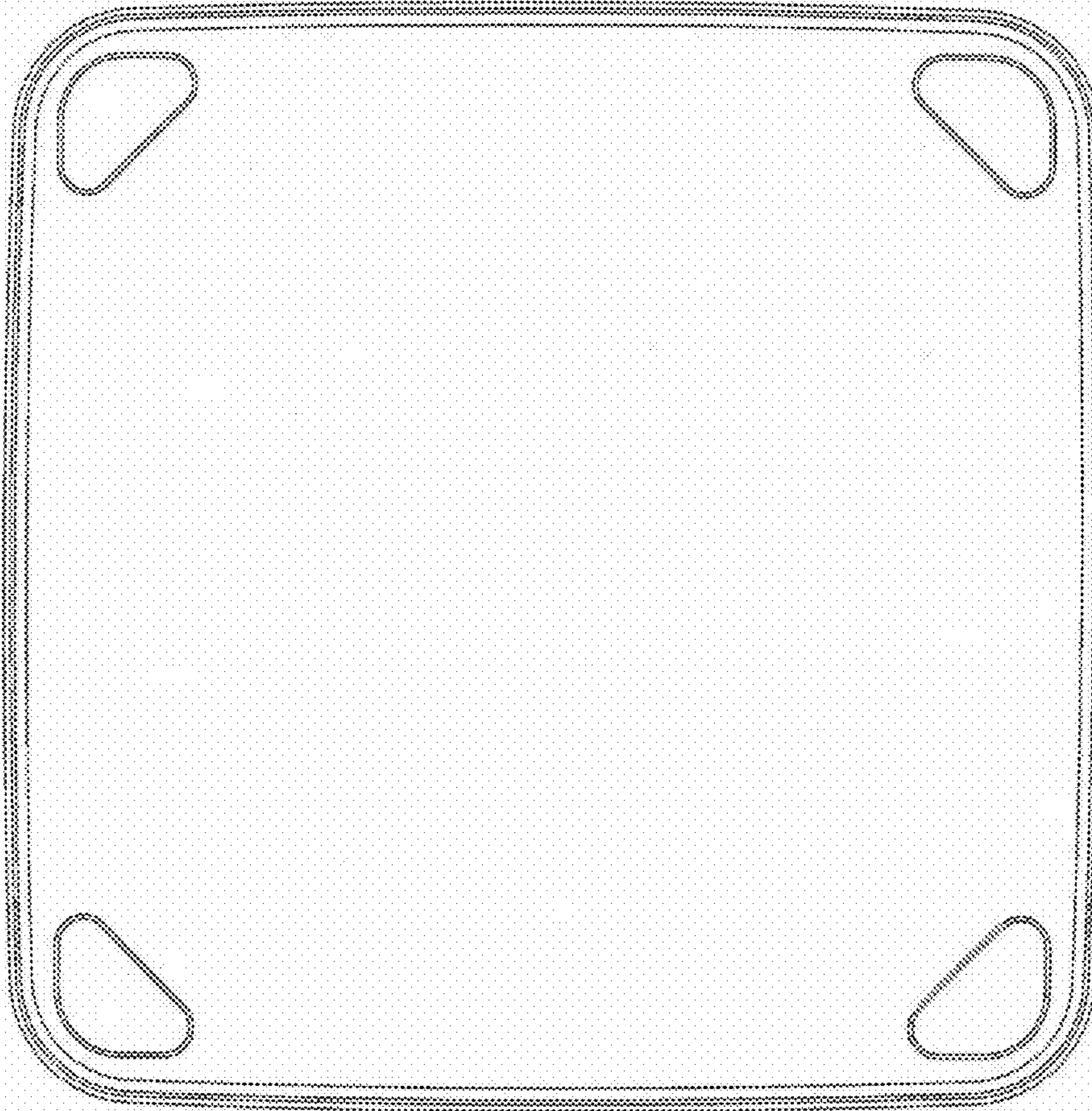


FIG. 7