



US00D700089S

(12) **United States Design Patent**  
**Sundheim et al.**

(10) **Patent No.:** **US D700,089 S**

(45) **Date of Patent:** **\*\* Feb. 25, 2014**

(54) **PRESSURE GAUGE**

200/82 A, 82 C, 82 D, 83 P, 83 N, 83 R,  
200/83 Q, 83 W, 832, 835, 83 E, 83 J, 306

See application file for complete search history.

(71) Applicant: **Gregory S. Sundheim**, Englewood, CO  
(US)

(56) **References Cited**

(72) Inventors: **Gregory S. Sundheim**, Englewood, CO  
(US); **Robert M. Morris**, Lakewood,  
CO (US)

U.S. PATENT DOCUMENTS

(73) Assignee: **Gregory S. Sundheim**, Englewood, CO  
(US)

D592,087 S *	5/2009	Ohtani et al.	.....	D10/102
D601,048 S *	9/2009	Ratner	.....	D10/85
D653,572 S *	2/2012	Ohtani et al.	.....	D10/102
D681,490 S *	5/2013	Stansbury et al.	.....	D10/102

\* cited by examiner

(\*\*) Term: **14 Years**

*Primary Examiner* — Antoine D Davis

(21) Appl. No.: **29/440,022**

(74) *Attorney, Agent, or Firm* — W. Scott Carson

(22) Filed: **Dec. 18, 2012**

(57) **CLAIM**

The ornamental design for a pressure gauge, as shown.

(51) **LOC (10) Cl.** ..... **10-04**

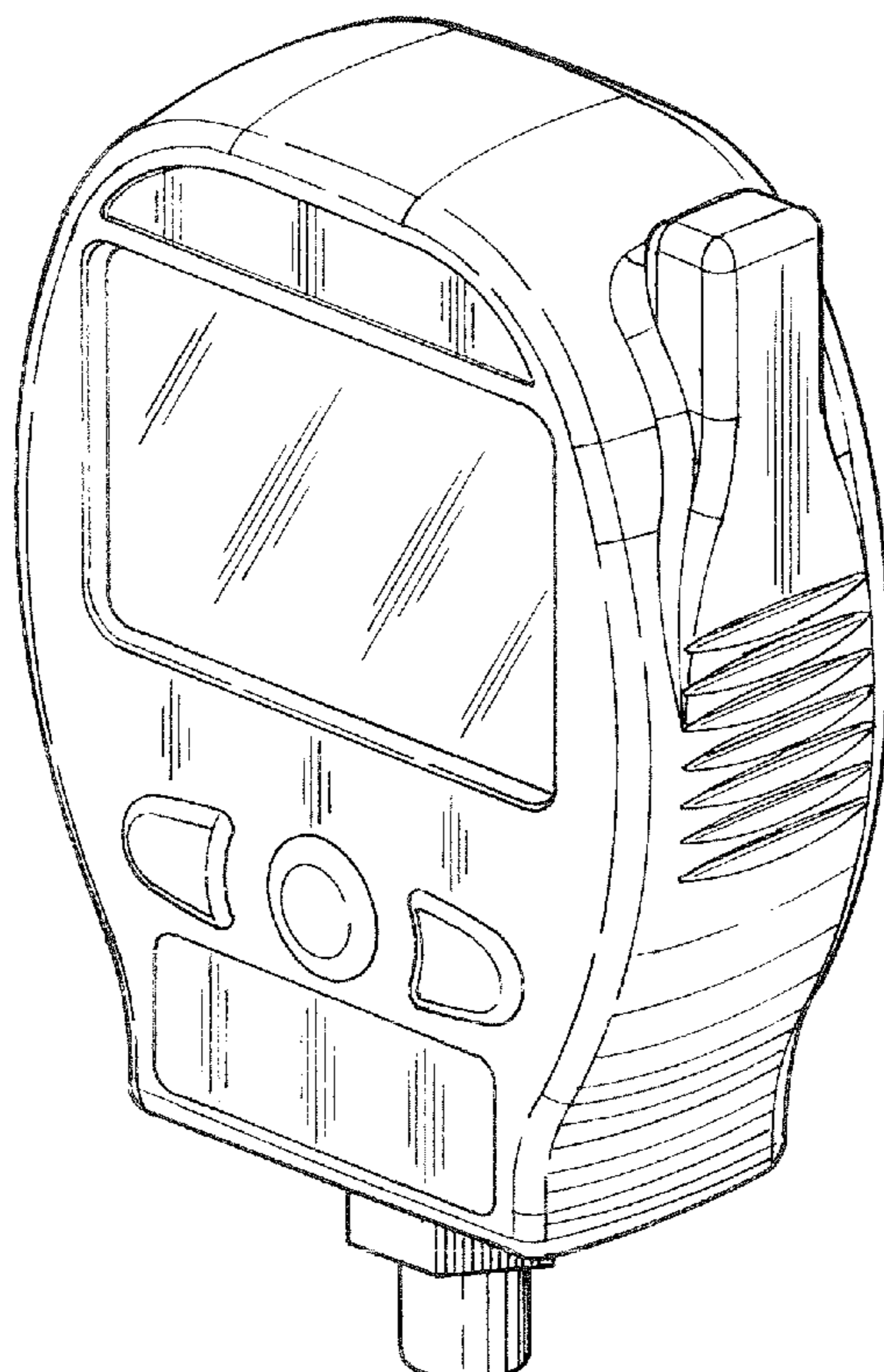
**DESCRIPTION**

(52) **U.S. Cl.**  
USPC ..... **D10/85**

(58) **Field of Classification Search**  
USPC ..... D10/83-85; 73/1.57-1.73, 19.05,  
73/23.27-23.29, 28.03, 29.03,  
73/30.01-30.04, 31.04, 35.12, 35.13,  
73/37-49.8, 54.06, 54.09, 54.16, 61.47,  
73/61.67, 61.78, 64.45-64.47, 64.51,  
73/152.22, 152.27, 152.51, 152.52, 199,  
73/861.42-861.51, 514.11, 700-753;

FIG. 1 is a perspective view of a pressure gauge showing our new design;  
FIG. 2 is a front elevational view thereof;  
FIG. 3 is a left side elevational view thereof; and  
FIG. 4 is a right side elevational view thereof.  
FIG. 5 is a rear elevational view thereof;  
FIG. 6 is a top plan view thereof; and,  
FIG. 7 is a bottom plan view thereof.

**1 Claim, 3 Drawing Sheets**



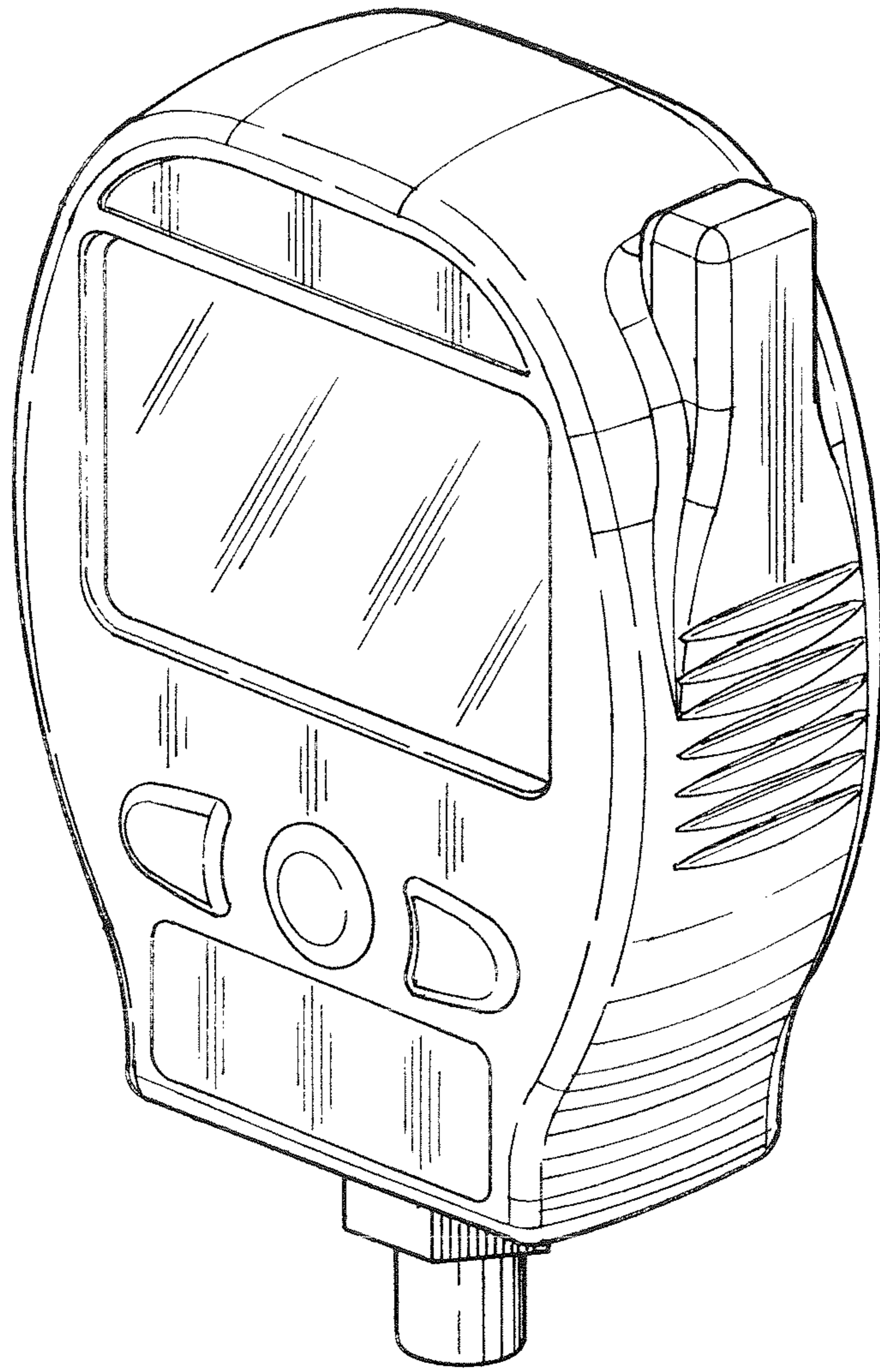


Fig. 1

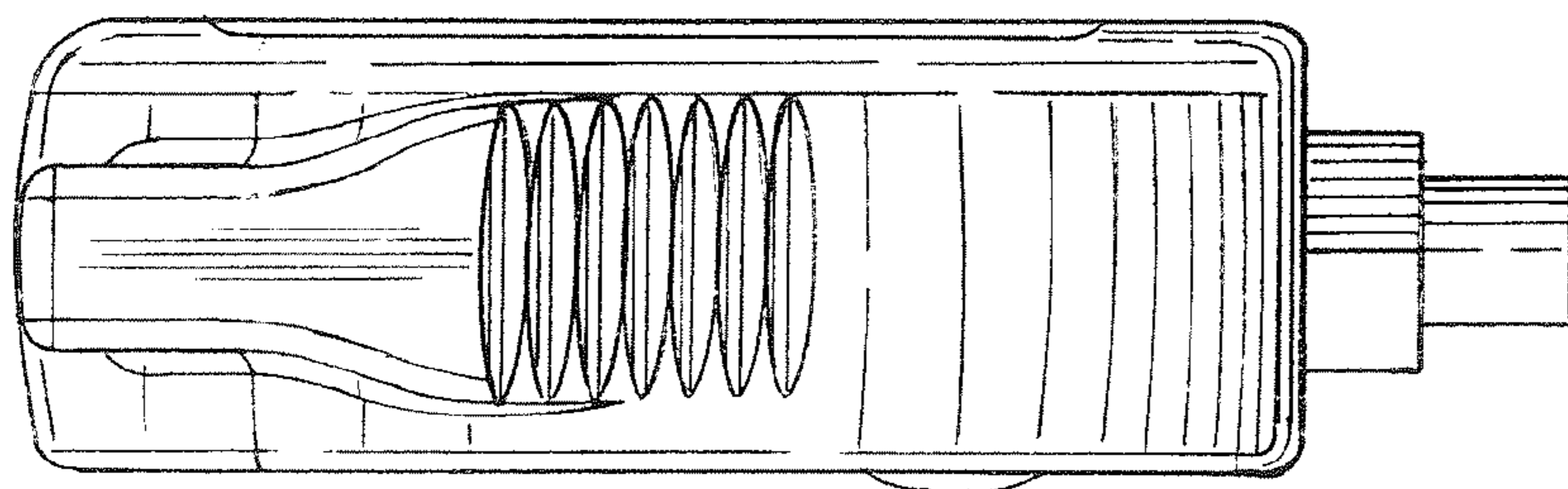


Fig. 3

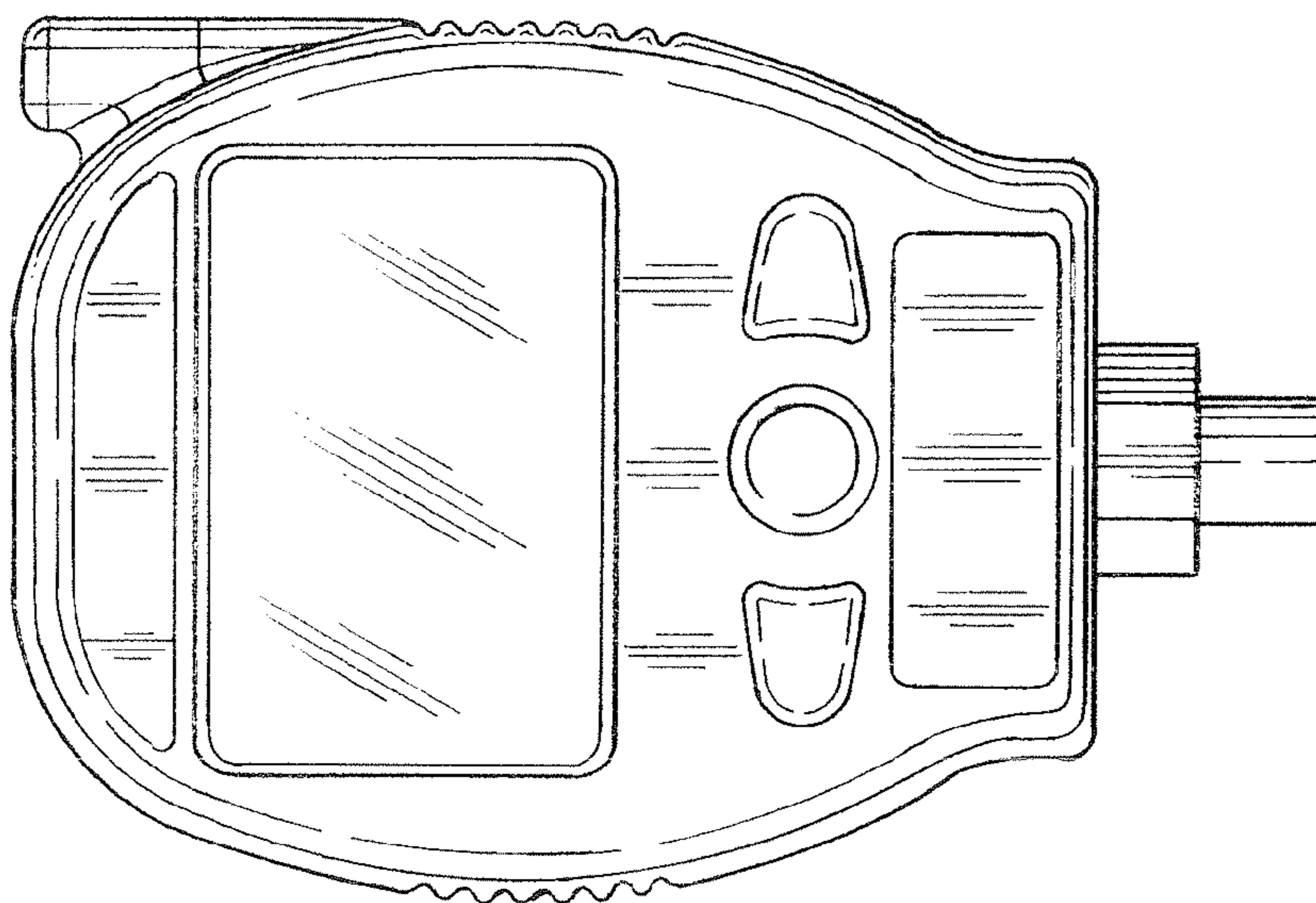


Fig. 2

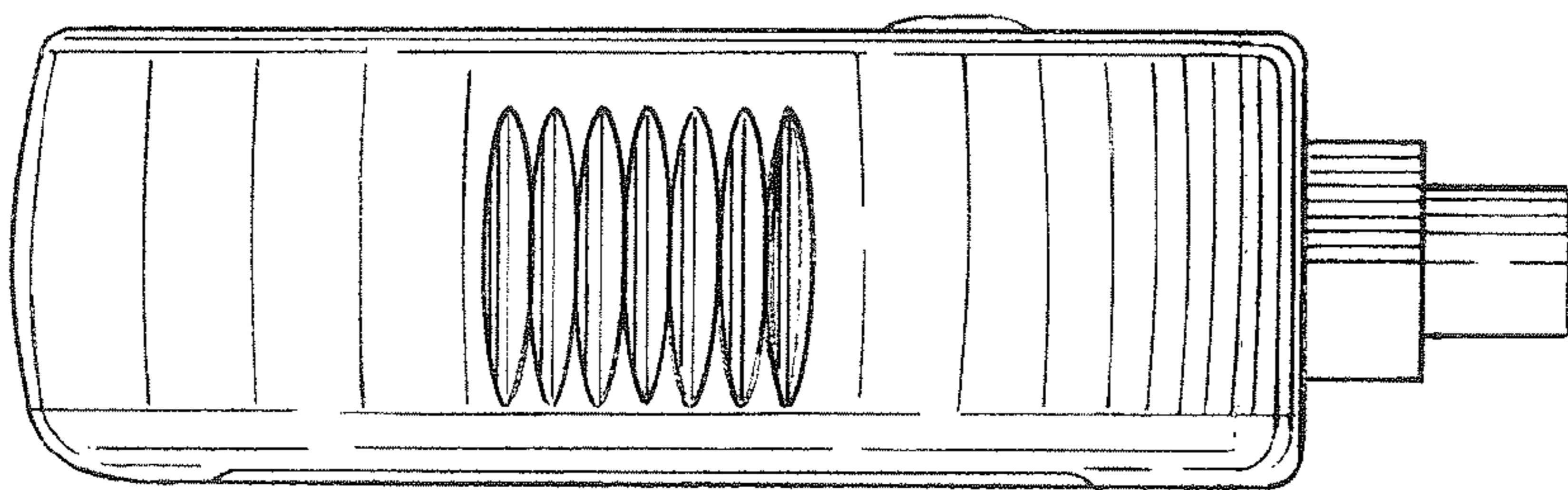


Fig. 4

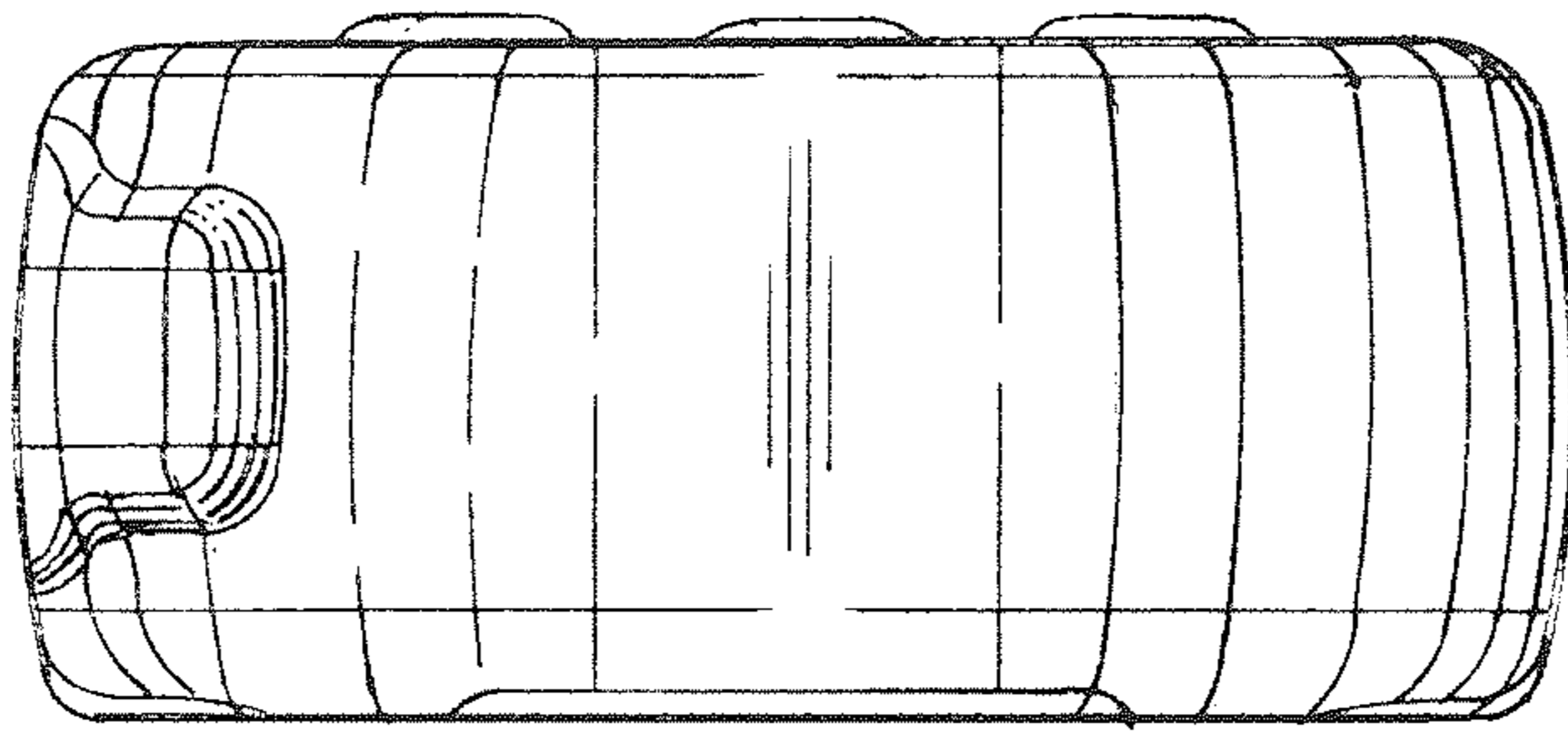


Fig. 6

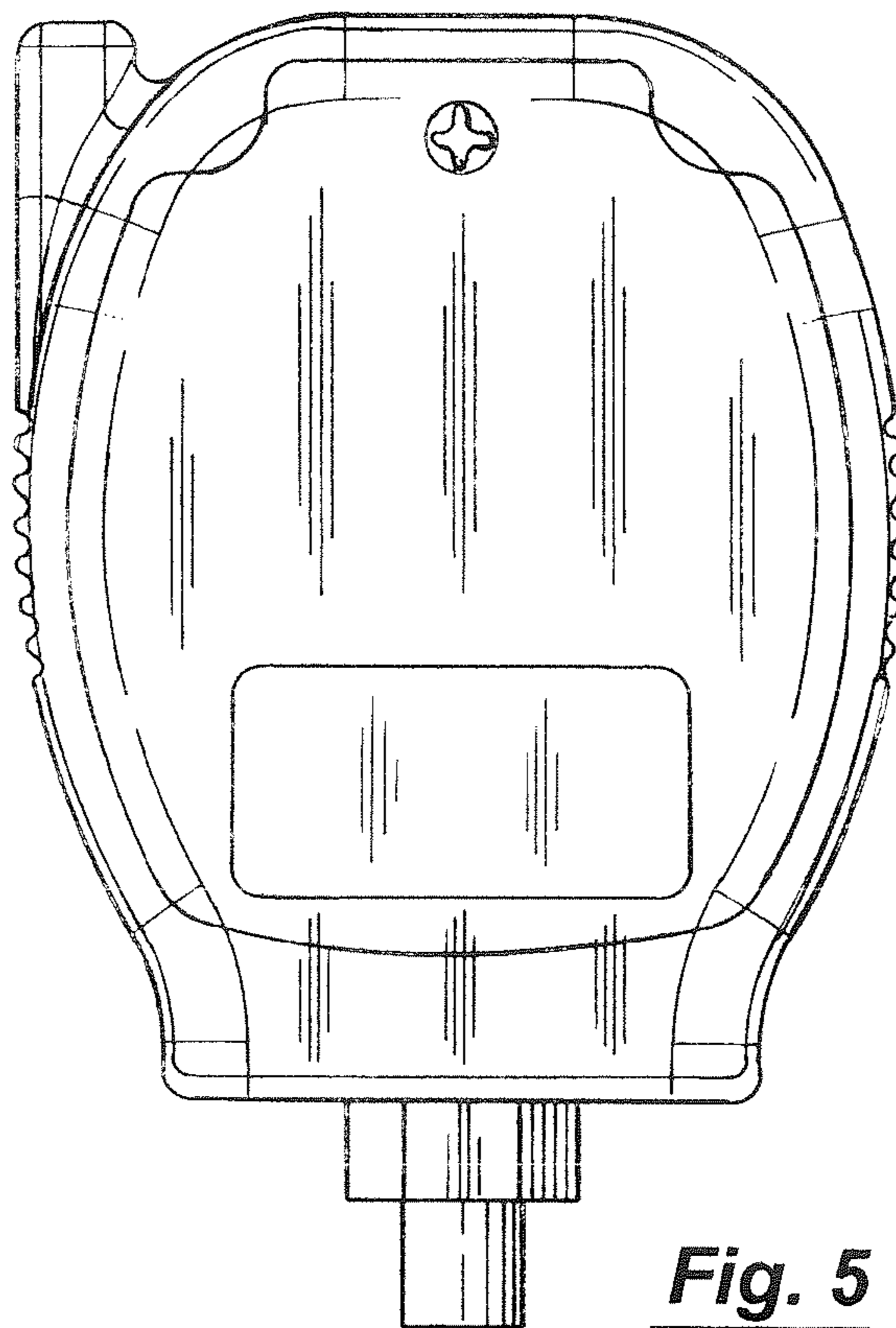


Fig. 5

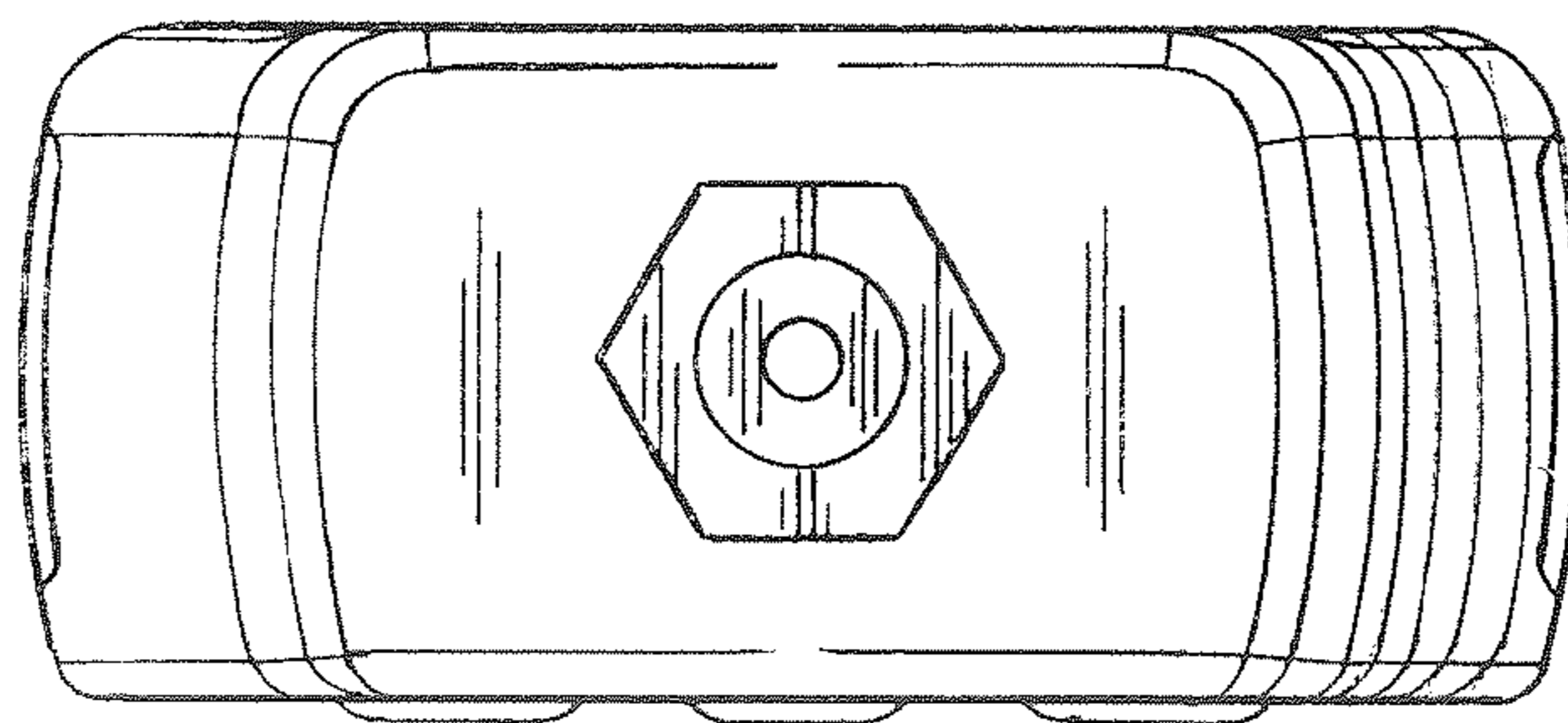


Fig. 7