



US00D700087S

(12) **United States Design Patent**  
**Kweon**

(10) **Patent No.:** **US D700,087 S**

(45) **Date of Patent:** **\*\* Feb. 25, 2014**

(54) **DETACHABLE MOUNTING UNIT OF  
DEVICE FOR MEASURING PARAMETERS  
FOR MANUFACTURING SPECTACLE LENS**

D567,069 S \* 4/2008 Thomas et al. .... D8/367  
7,963,010 B2 \* 6/2011 Levesque ..... 24/545  
D682,663 S \* 5/2013 Evon ..... D8/367

\* cited by examiner

(75) Inventor: **Hyuk Je Kweon**, Gwacheon-si (KR)

*Primary Examiner* — Antoine D Davis

(73) Assignee: **Viewitech Co., Ltd.**, Gyeonggi-do (KR)

(74) *Attorney, Agent, or Firm* — The PL Law Group, PLLC

(\*\*) Term: **14 Years**

(57) **CLAIM**

(21) Appl. No.: **29/432,487**

The ornamental design for a detachable mounting unit of a device for measuring parameters for manufacturing spectacle lens, as shown and described.

(22) Filed: **Sep. 15, 2012**

(30) **Foreign Application Priority Data**

**DESCRIPTION**

Jun. 28, 2012 (KR) ..... 30-2012-0031556

(51) **LOC (10) Cl.** ..... **10-04**

(52) **U.S. Cl.**  
USPC ..... **D10/80**; D8/367

(58) **Field of Classification Search**  
USPC ..... D10/80; 24/3.12, 545, 563, 546–556,  
24/570, 571, 907, 369–371; 248/690, 215,  
248/301, 304–308, 339; D8/367–371,  
D8/394–396  
See application file for complete search history.

FIG. 1 is a perspective view of a detachable mounting unit of a device for measuring parameters for manufacturing spectacle lens, showing my new design;  
FIG. 2 is a front view thereof;  
FIG. 3 is a rear view thereof;  
FIG. 4 is a left side view thereof;  
FIG. 5 is a right side view thereof;  
FIG. 6 is a top plan view thereof; and  
FIG. 7 is a bottom plan view thereof; and,  
FIG. 8 is a perspective view showing an example of the usage of the detachable mounting unit of the device for measuring parameters for manufacturing spectacle lens in which the detachable mounting unit is coupled to a tablet computer.  
The broken lines in the figures illustrate unclaimed environment only and form no part of the claimed design.

(56) **References Cited**

**U.S. PATENT DOCUMENTS**

D330,850 S \* 11/1992 Roick ..... D8/367  
D453,294 S \* 2/2002 Bitzer ..... D8/395

**1 Claim, 7 Drawing Sheets**

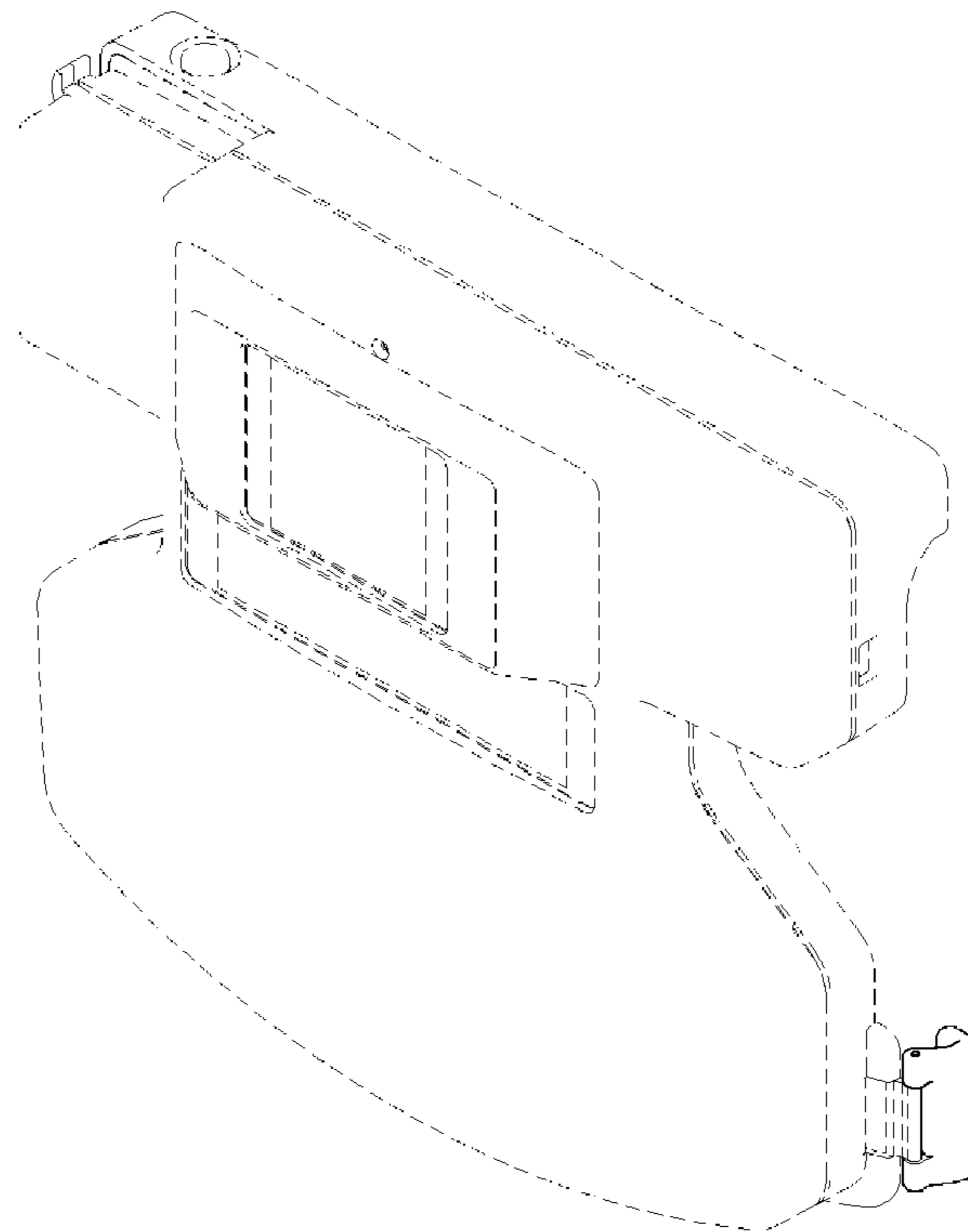


FIG. 1

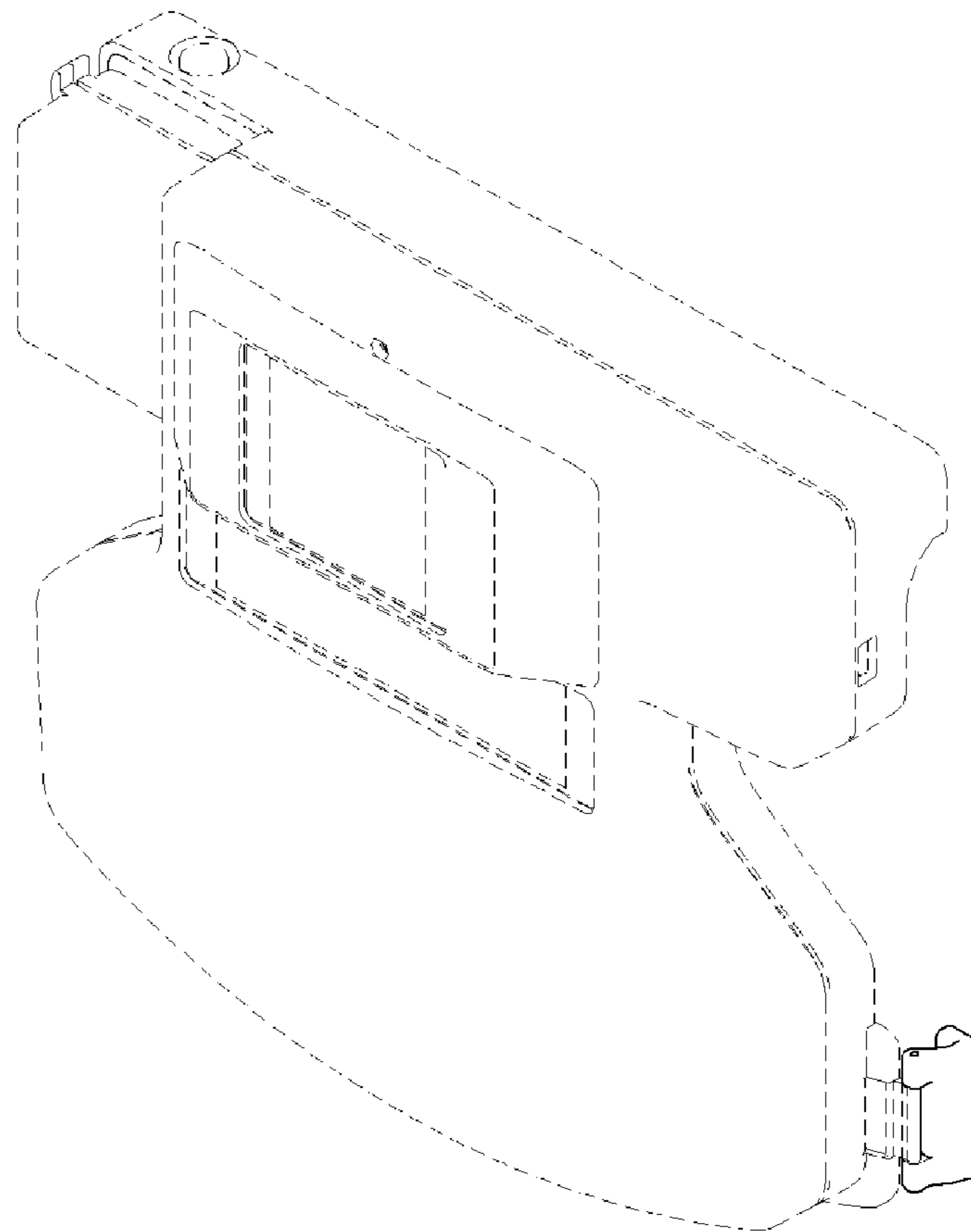


FIG. 2

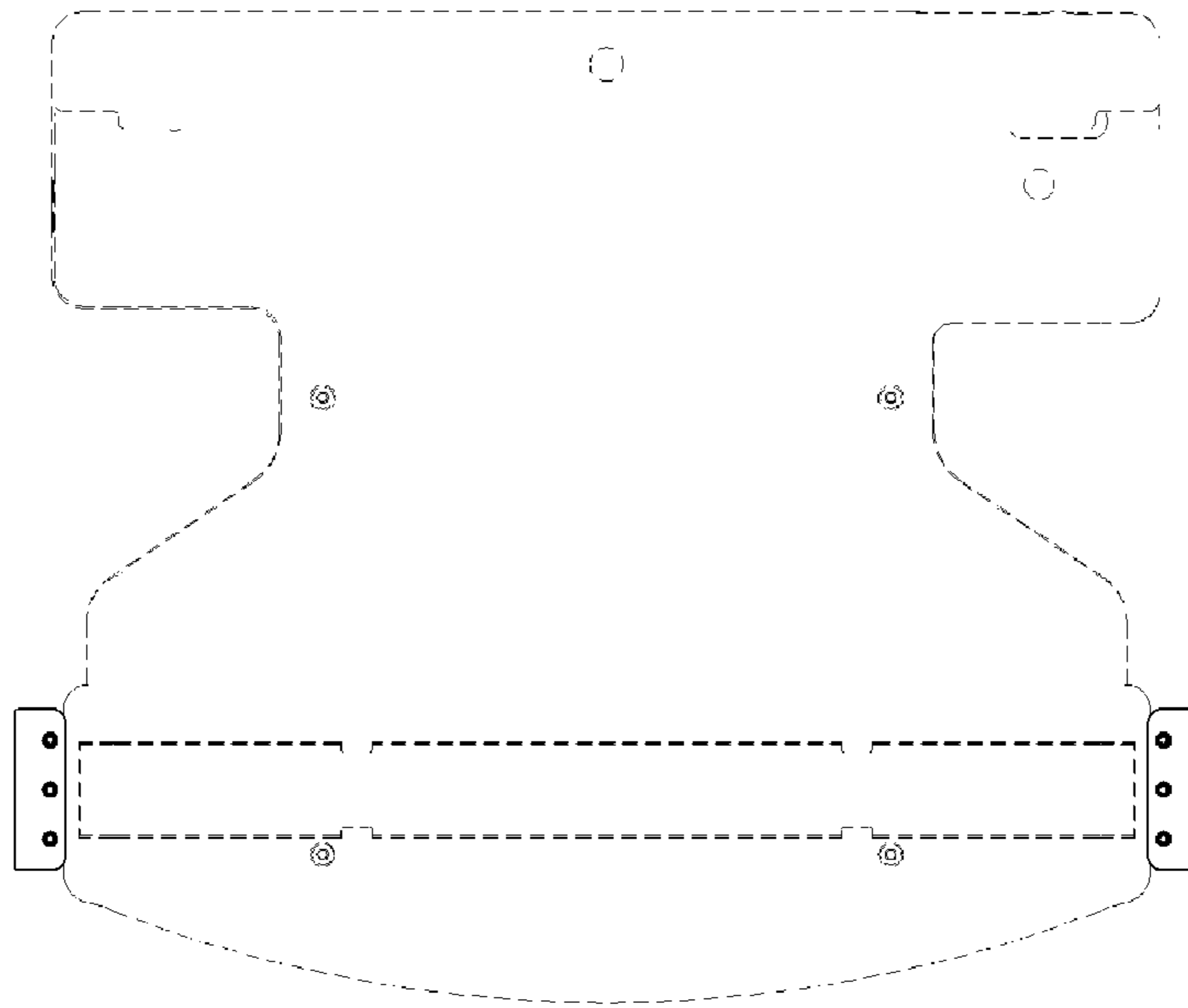


FIG. 3

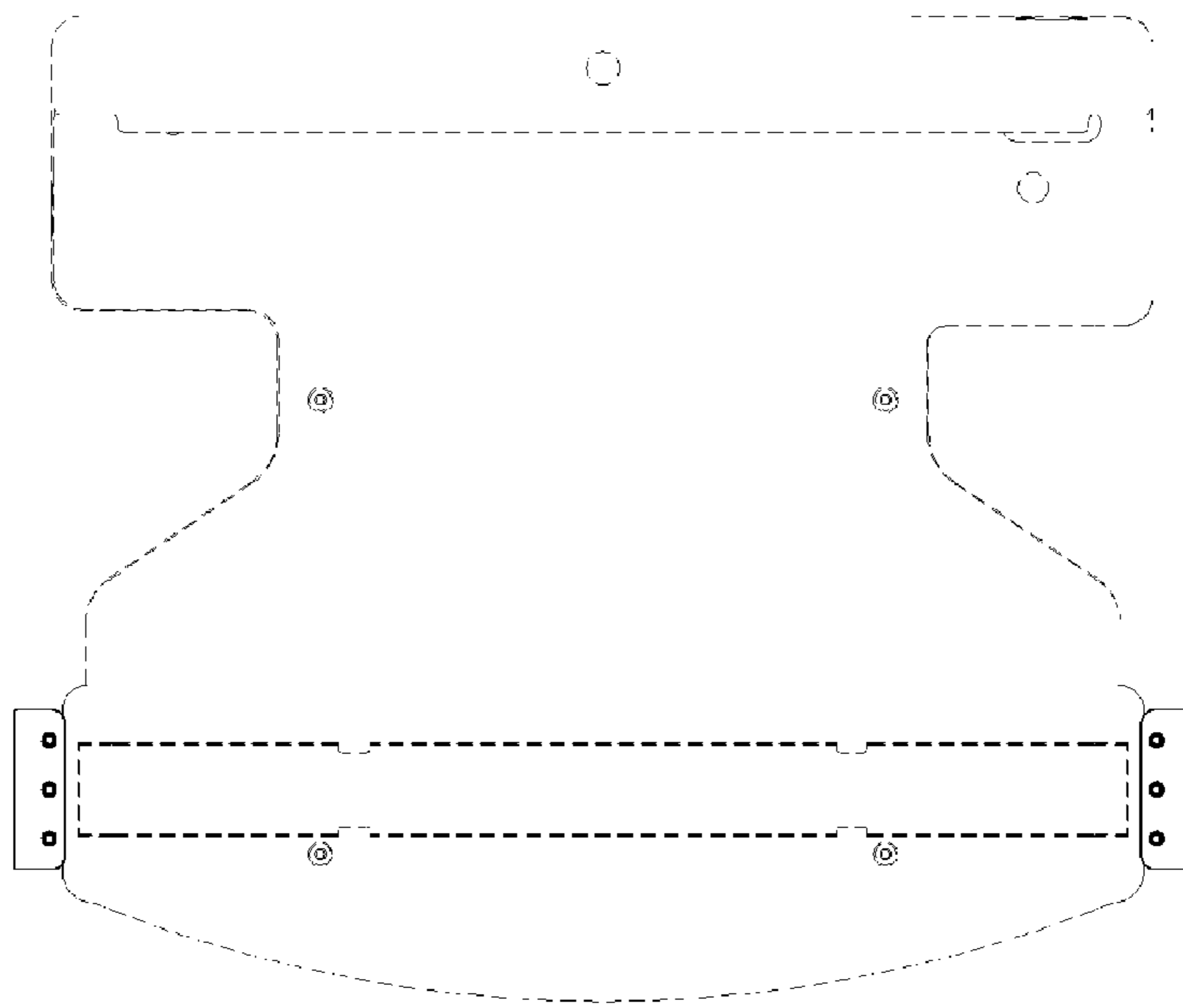


FIG. 4

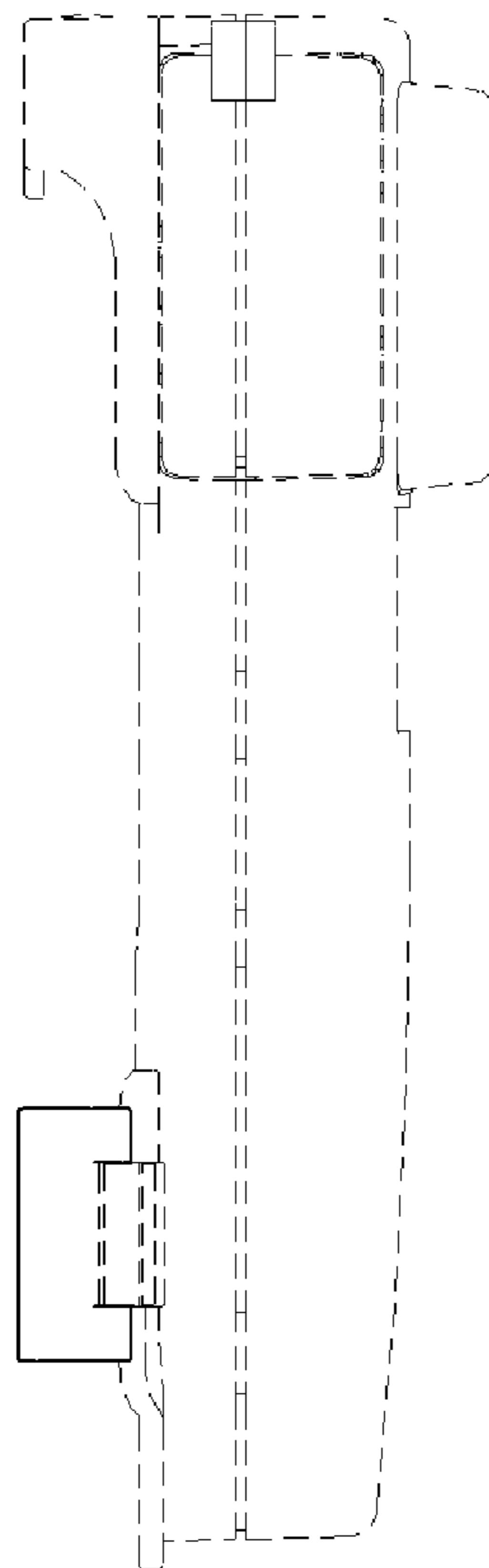


FIG. 5

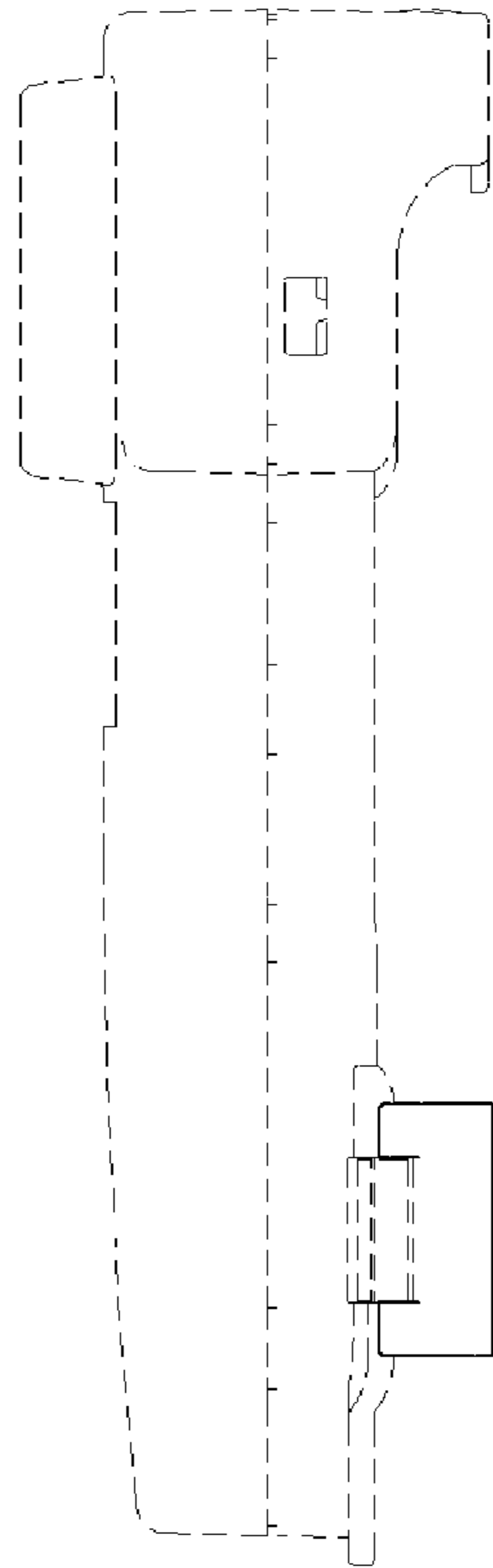


FIG. 6

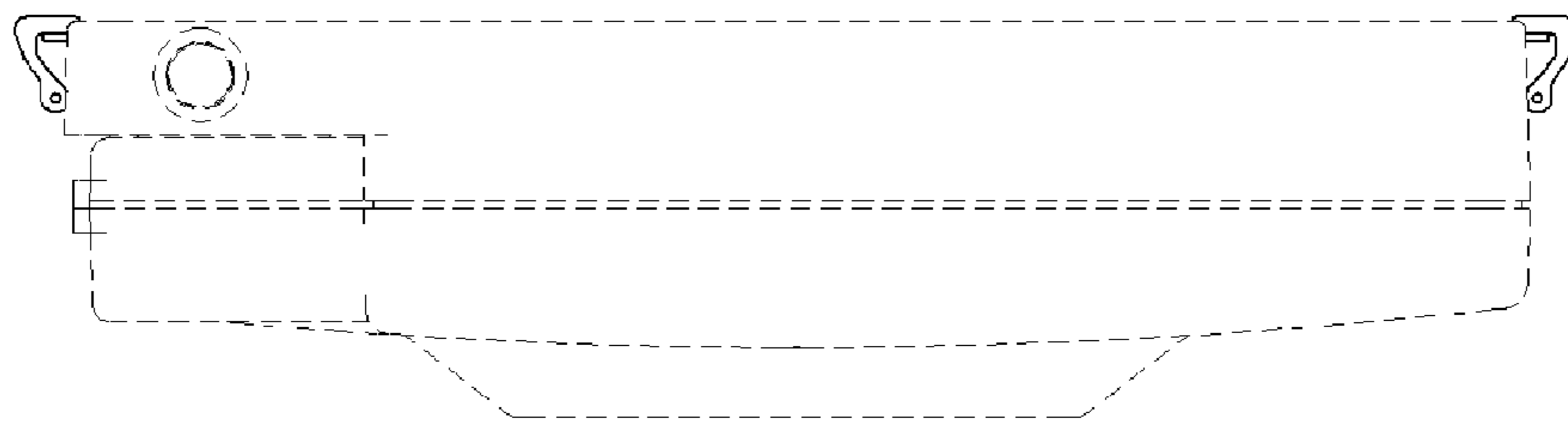


FIG. 7

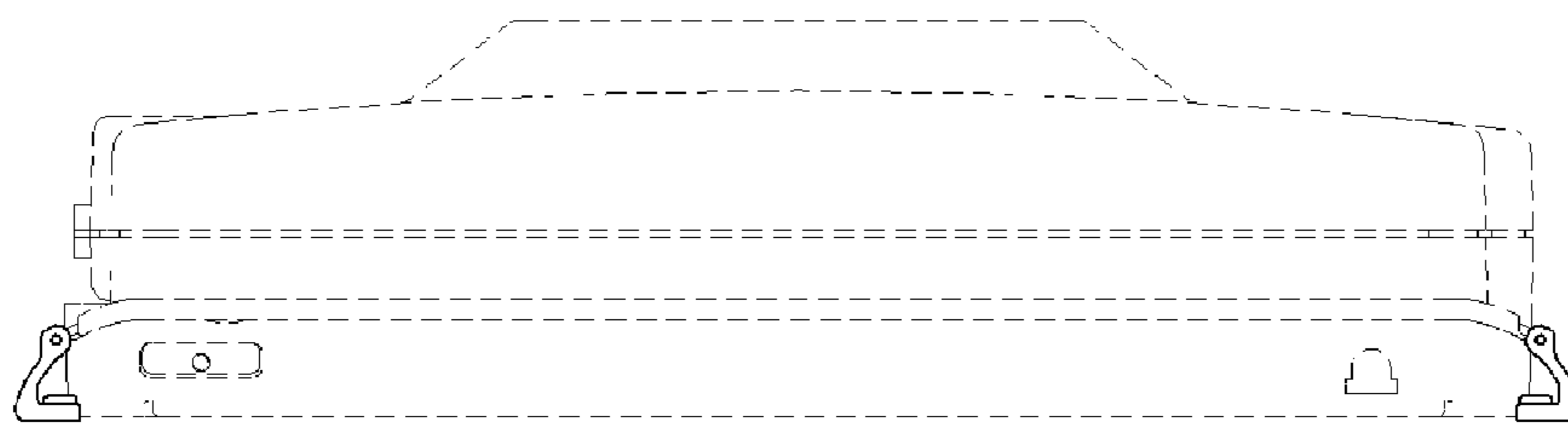


FIG. 8

