



US00D700085S

(12) **United States Design Patent**
Yoshiike et al.

(10) **Patent No.:** **US D700,085 S**

(45) **Date of Patent:** **** Feb. 25, 2014**

(54) **INSULATION RESISTANCE TESTER**

Primary Examiner — Antoine D Davis

(75) Inventors: **Tetsuya Yoshiike**, Ueda (JP); **Seiji Onuma**, Ueda (JP)

(74) *Attorney, Agent, or Firm* — Greenblum & Bernstein P.L.C.

(73) Assignee: **Hioki Denki Kabushiki Kaisha**, Nagano (JP)

(57) **CLAIM**

(**) Term: **14 Years**

We claim the ornamental design for an insulation resistance tester, as shown and described.

(21) Appl. No.: **29/430,817**

(22) Filed: **Aug. 30, 2012**

DESCRIPTION

(30) **Foreign Application Priority Data**

Mar. 1, 2012 (JP) D2012-004567

(51) **LOC (10) Cl.** **10-04**

(52) **U.S. Cl.**
USPC **D10/75; D10/78**

(58) **Field of Classification Search**
USPC D10/75, 76, 78; 324/551, 509, 525,
324/691-725, 153; 361/664, 659
See application file for complete search history.

FIG. 1 is a front elevational view of an insulation resistance tester, showing our new design;
FIG. 2 is a rear elevational view thereof;
FIG. 3 is a left side elevational view thereof;
FIG. 4 is a right side elevational view thereof;
FIG. 5 is a top plan view thereof;
FIG. 6 is a bottom plan view thereof;
FIG. 7 is a perspective view thereof;
FIG. 8 is a front elevational view thereof, showing a display unit displaying an image;
FIG. 9 is a perspective view thereof, showing a cover slid;
FIG. 10 is a perspective view thereof, showing the slid cover rotated by 90°;
FIG. 11 is a perspective view thereof, showing a front panel covered by a cover;
FIG. 12 is front elevational view thereof, showing the front panel covered by the cover;
FIG. 13 is a rear elevational view thereof, showing the front panel covered by the cover;
FIG. 14 is a left side elevational view thereof, showing the front panel covered by the cover;
FIG. 15 is a right side elevational view thereof, showing the front panel covered by the cover;
FIG. 16 is a top plan view thereof, showing the front panel covered by the cover; and,
FIG. 17 is a bottom plan view thereof, showing the front panel covered by the cover.

(56) **References Cited**

U.S. PATENT DOCUMENTS

2,146,843	A *	2/1939	Palmer	361/664
D323,893	S *	2/1992	Arioka	D24/169
5,684,408	A *	11/1997	King	324/718
6,169,406	B1 *	1/2001	Peschel	324/548
D476,245	S *	6/2003	Tanaka et al.	D10/75
D515,951	S *	2/2006	Clark	D10/78
7,532,457	B2 *	5/2009	Dvorak et al.	361/528

FOREIGN PATENT DOCUMENTS

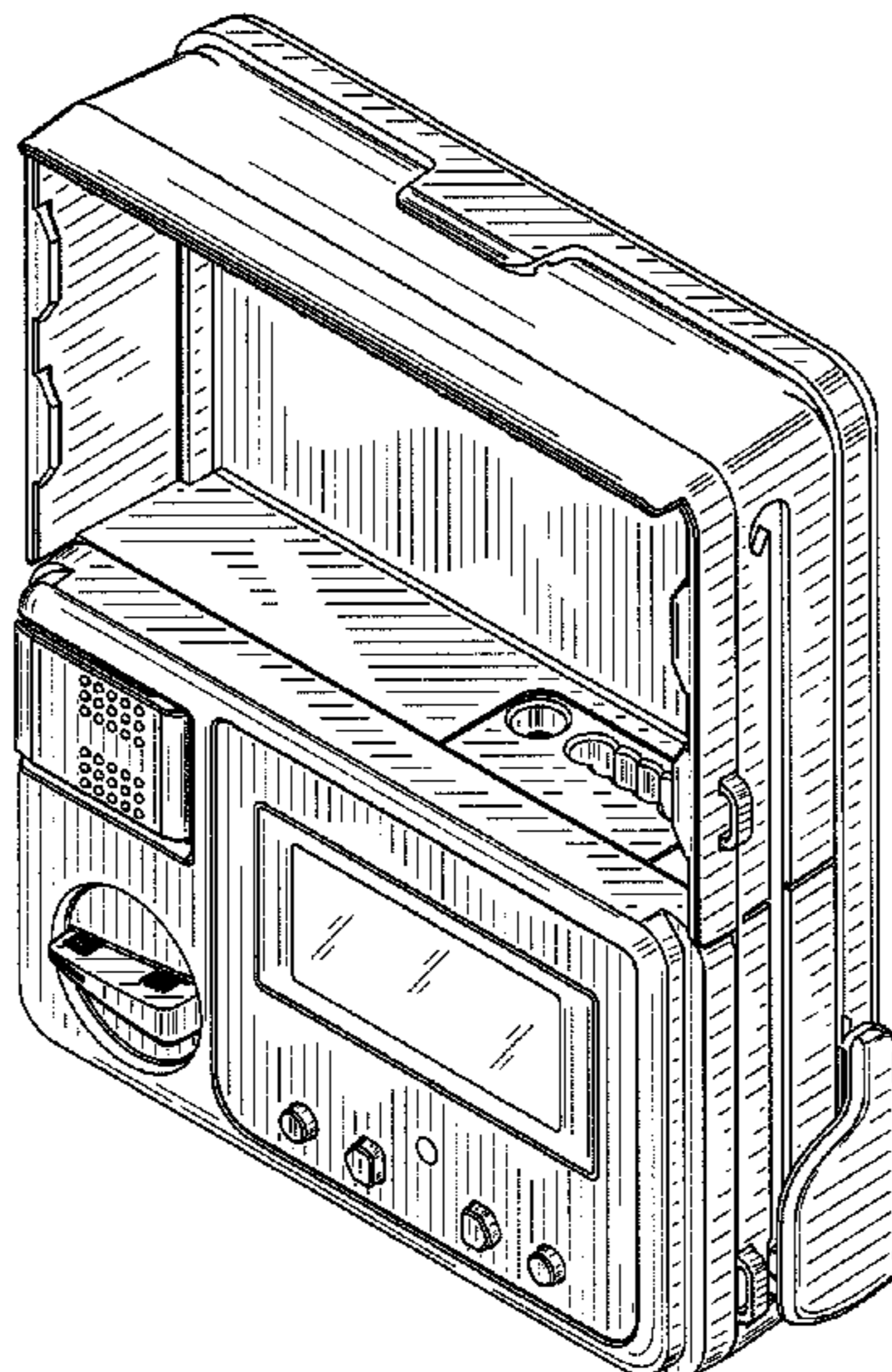
JP D1354083 3/2009

OTHER PUBLICATIONS

Japanese Official Action dated Jul. 10, 2012.

* cited by examiner

1 Claim, 15 Drawing Sheets



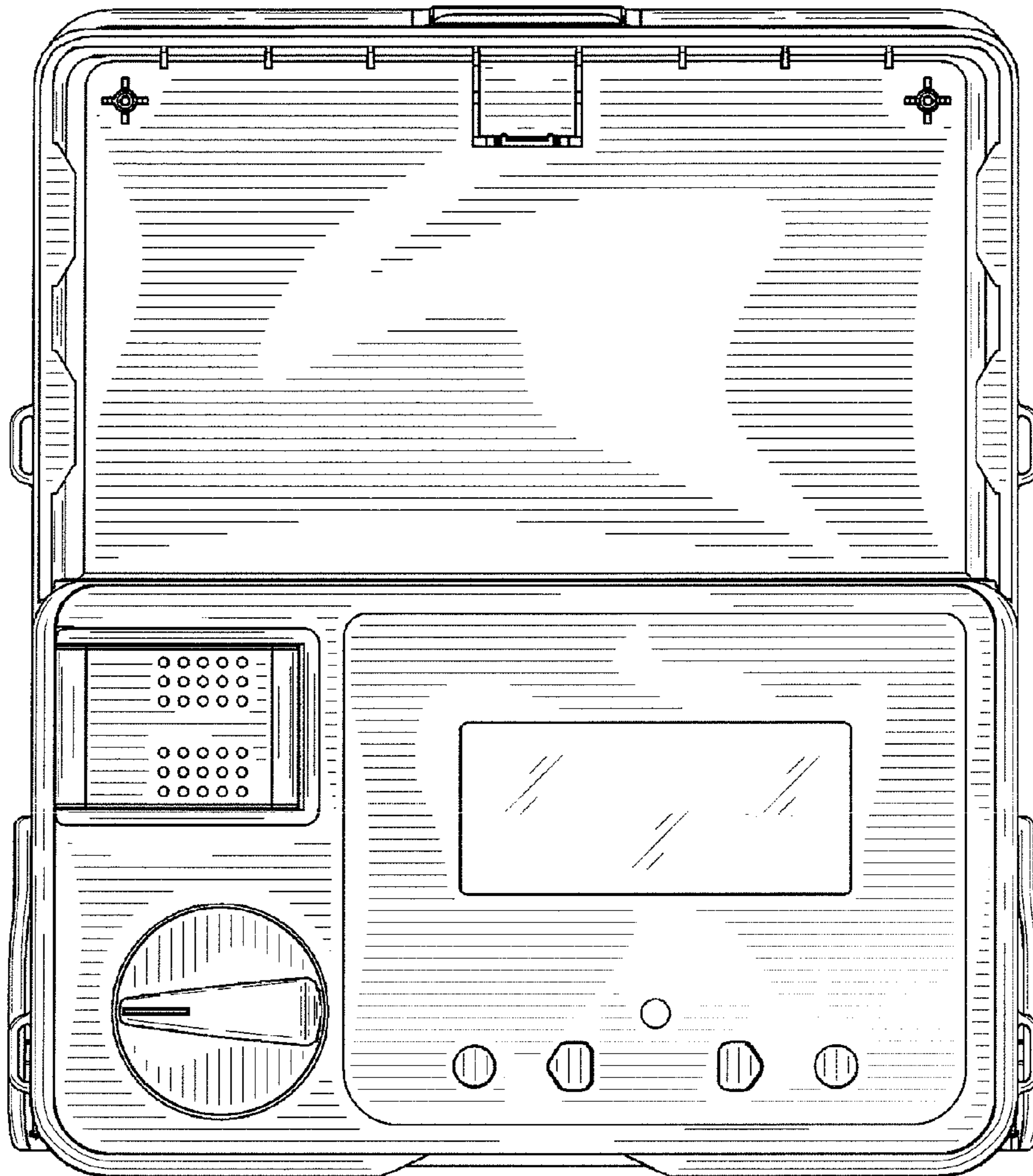


FIG. 1

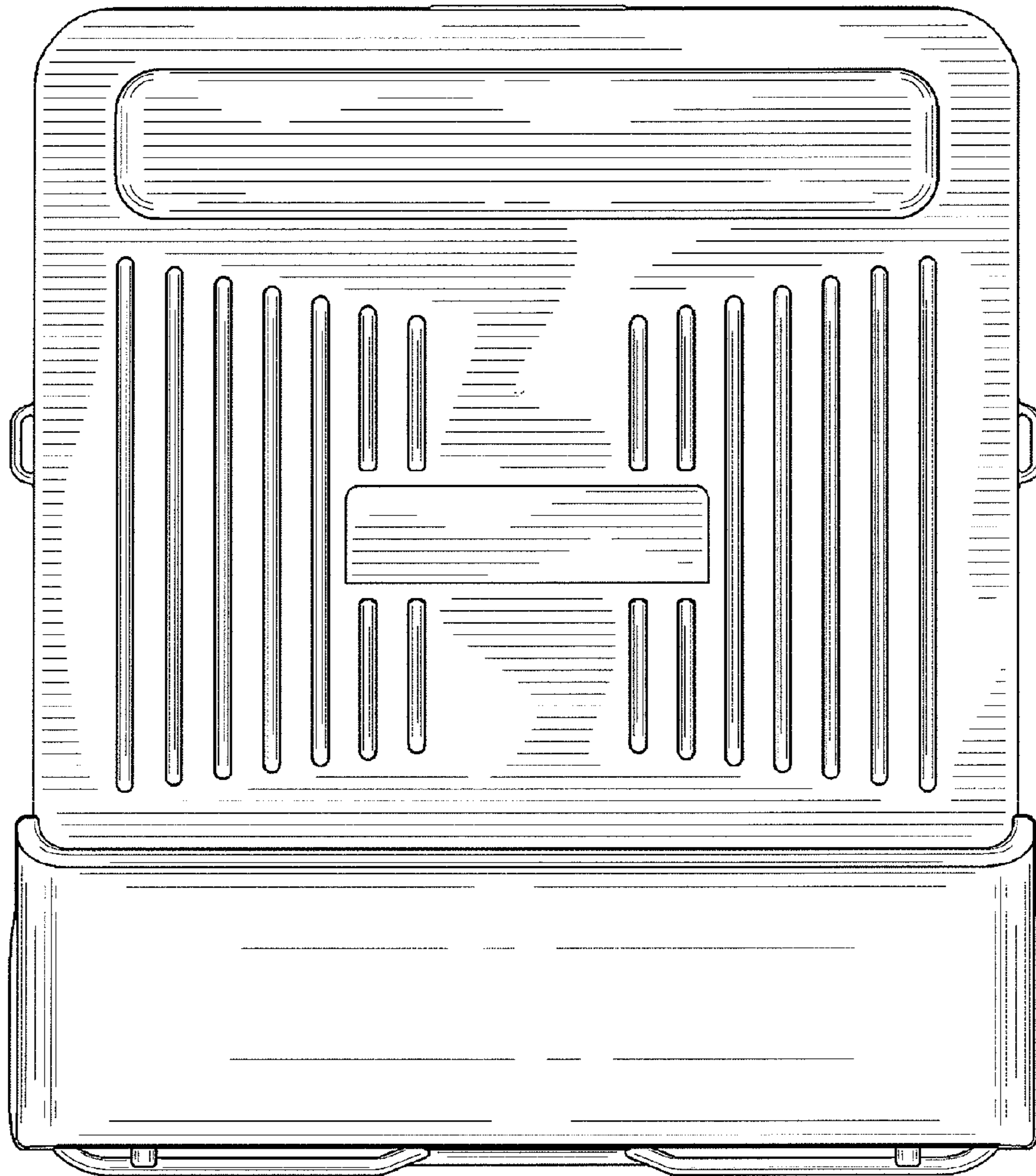


FIG. 2

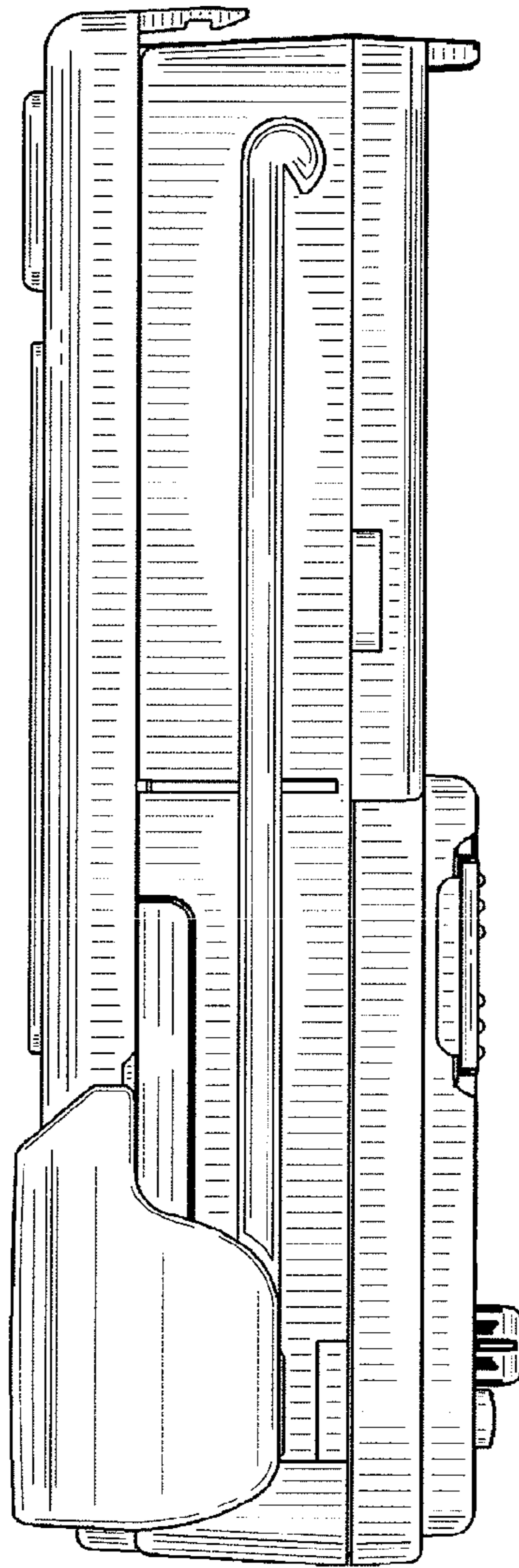


FIG. 3

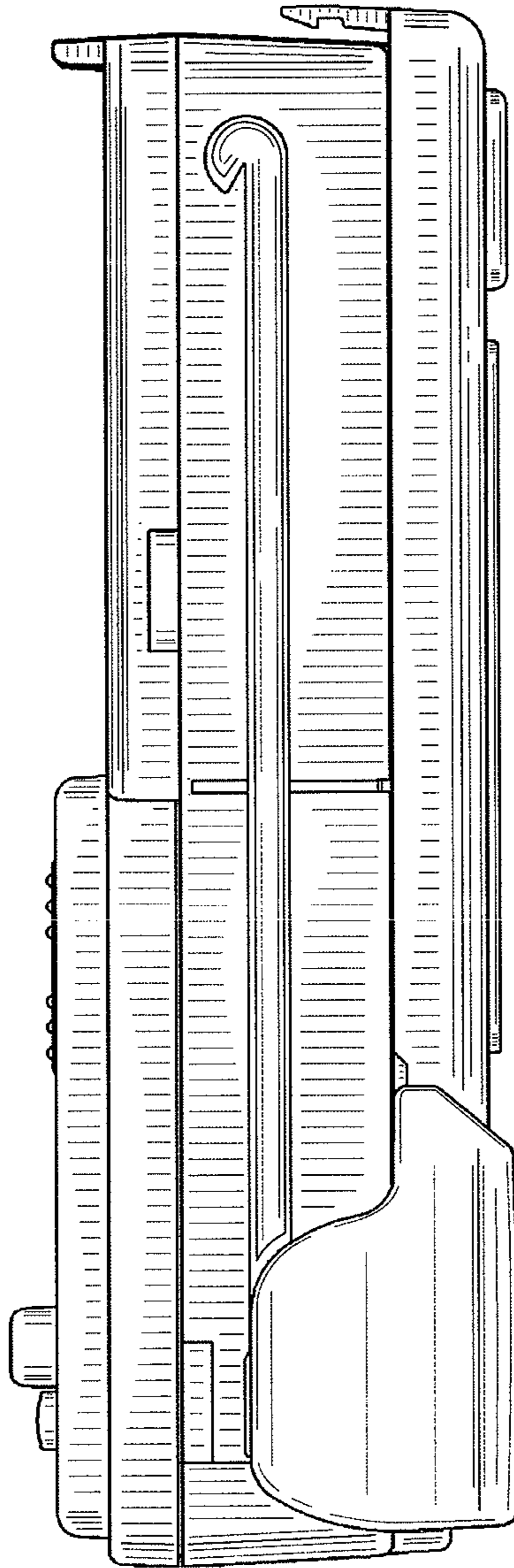


FIG. 4

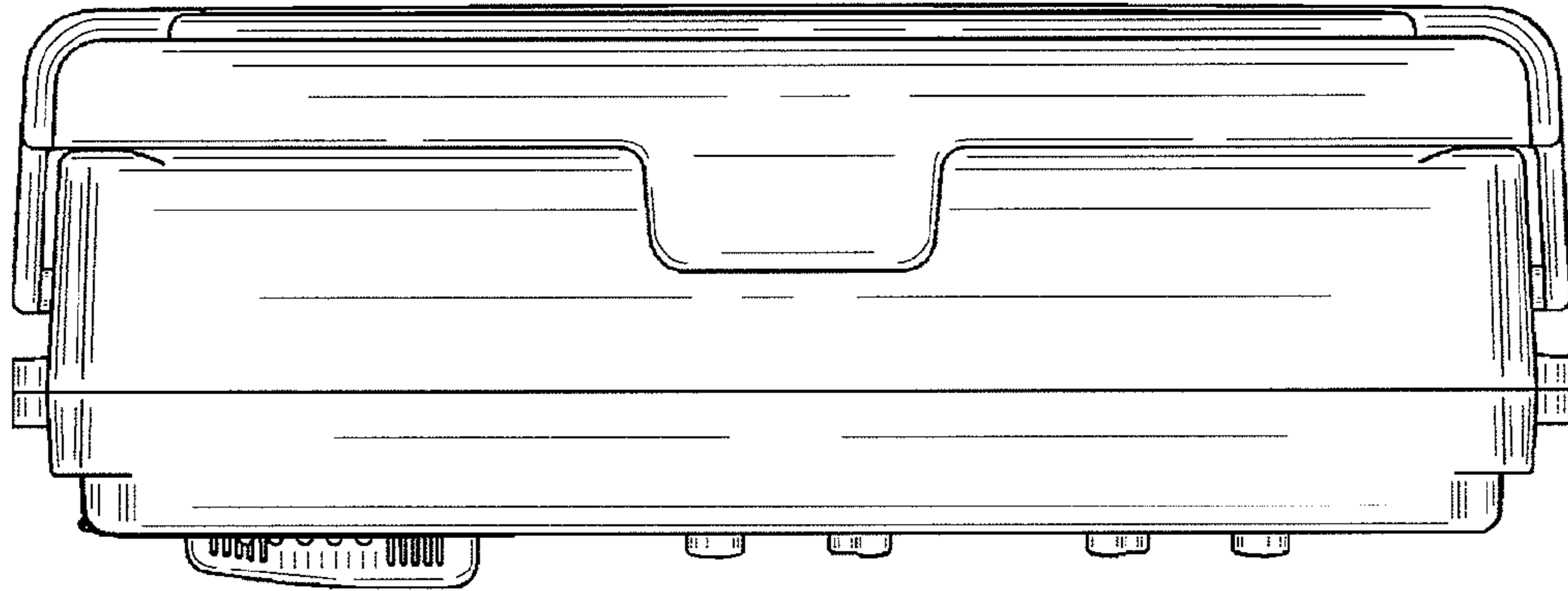


FIG. 5

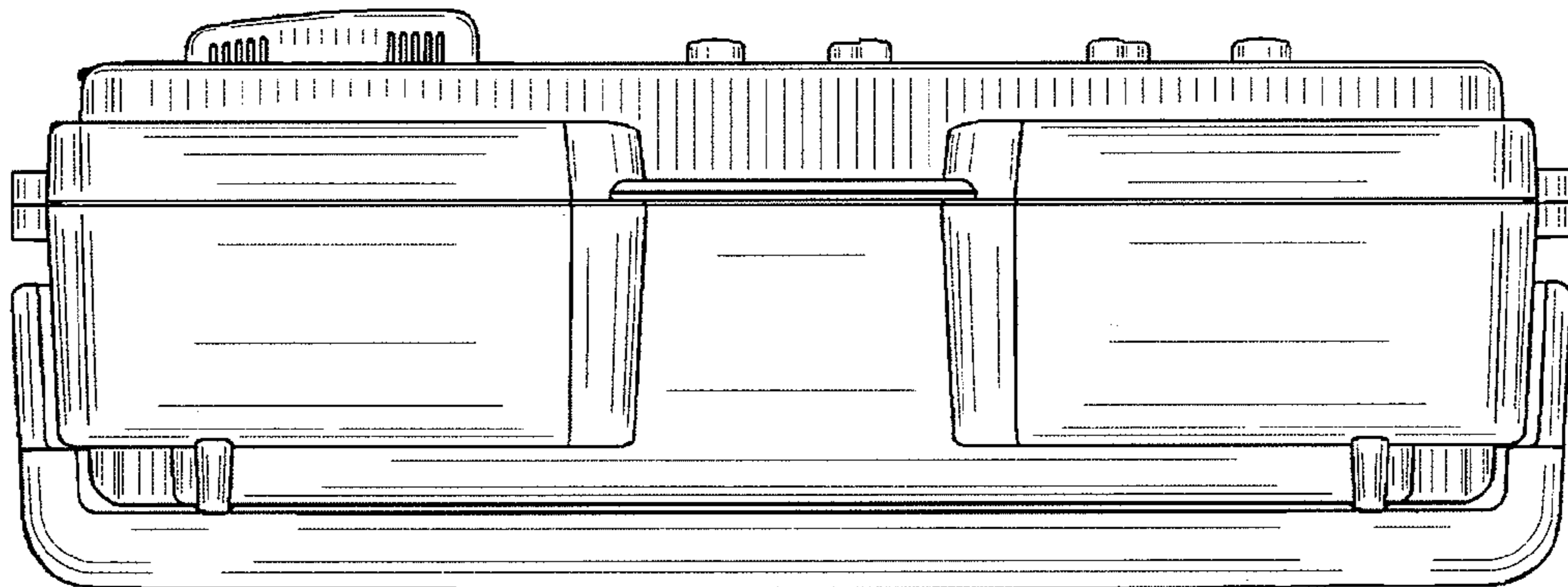


FIG. 6

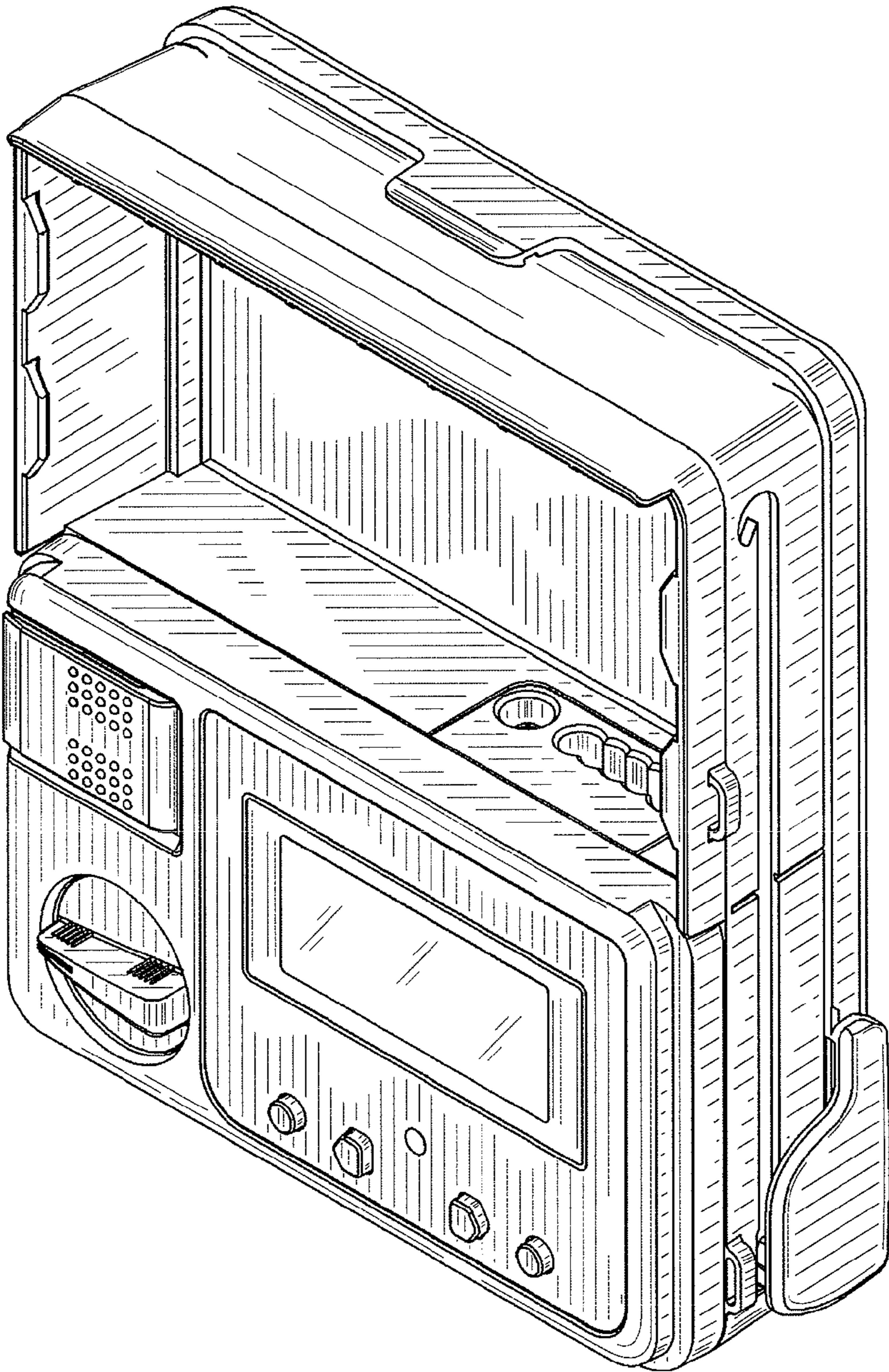


FIG. 7

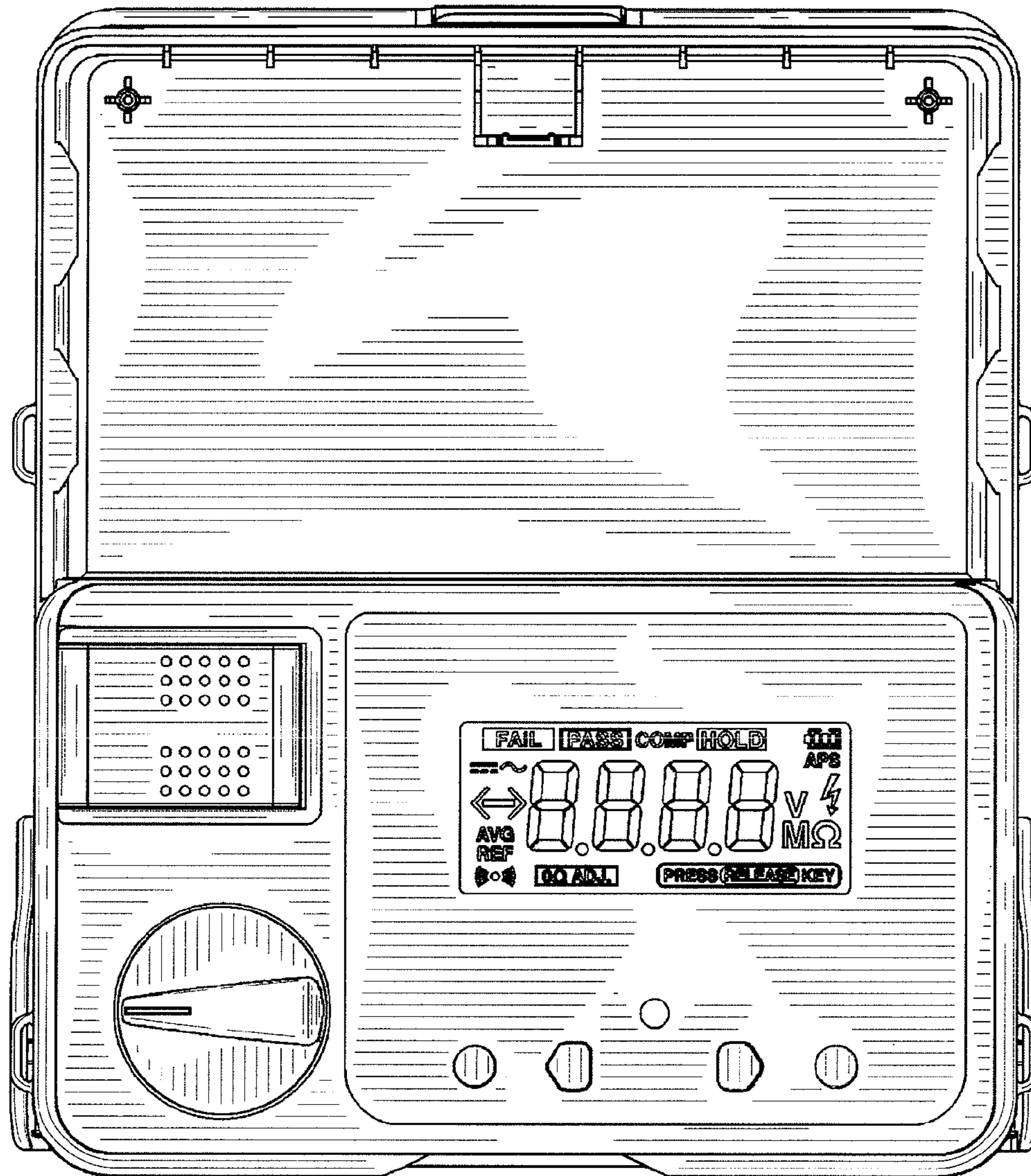


FIG. 8

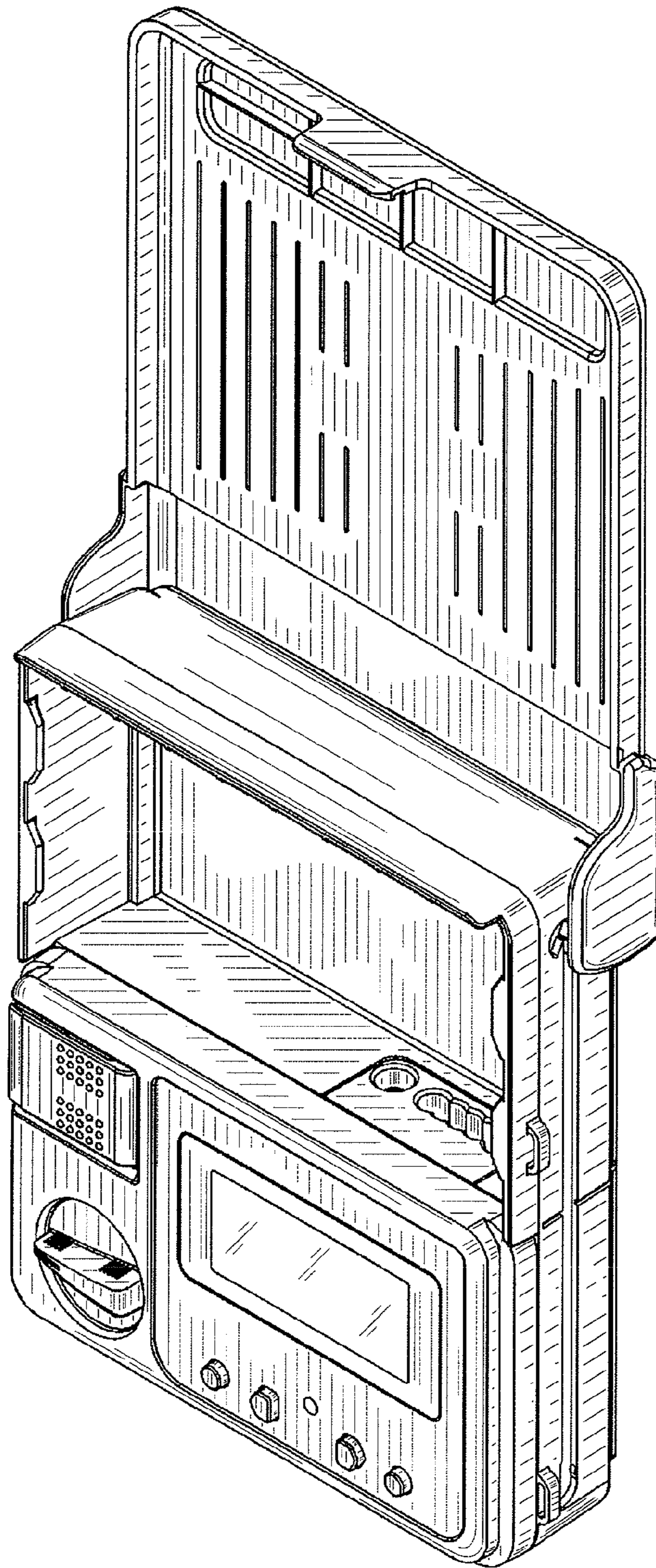


FIG. 9

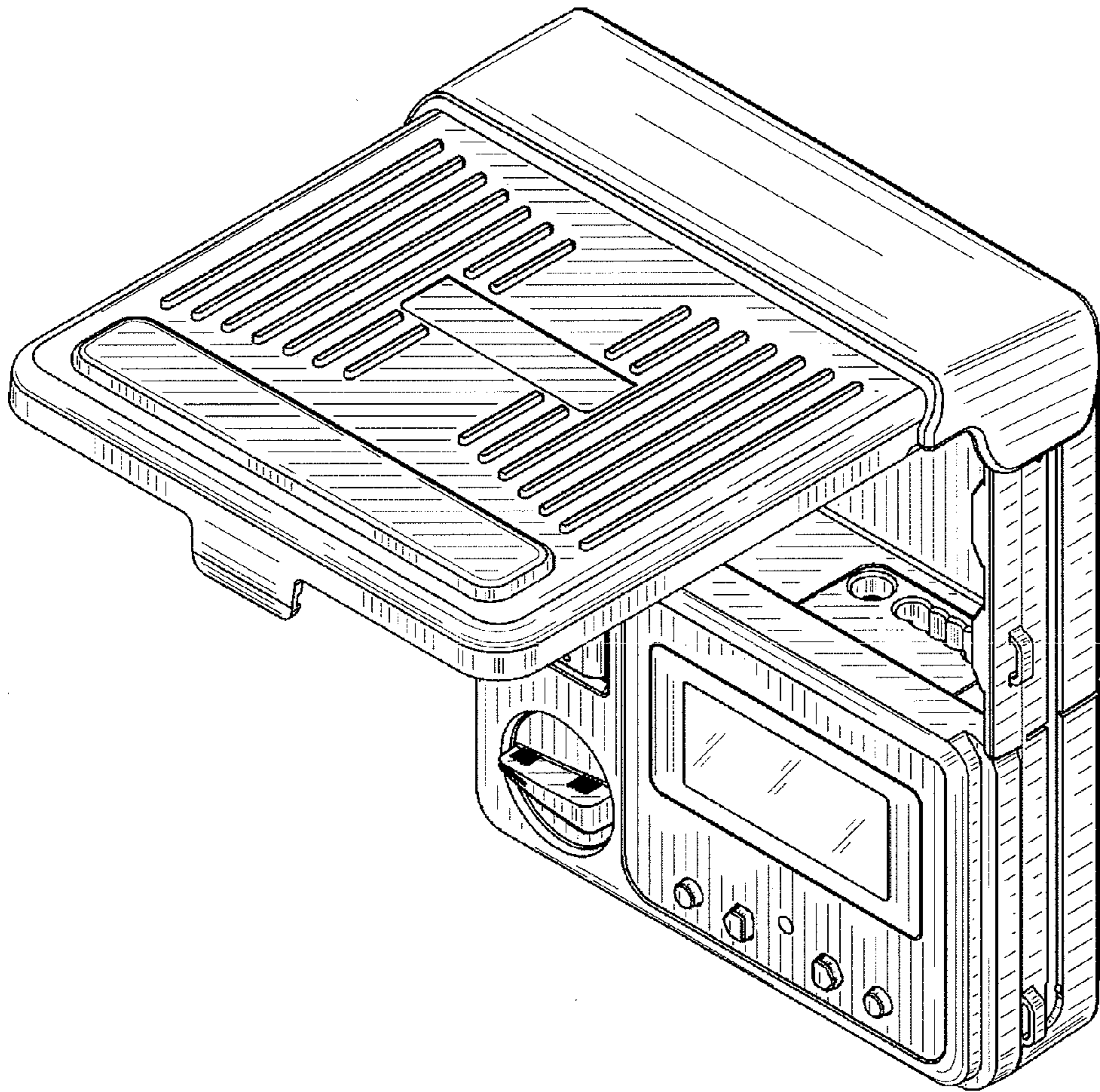


FIG. 10

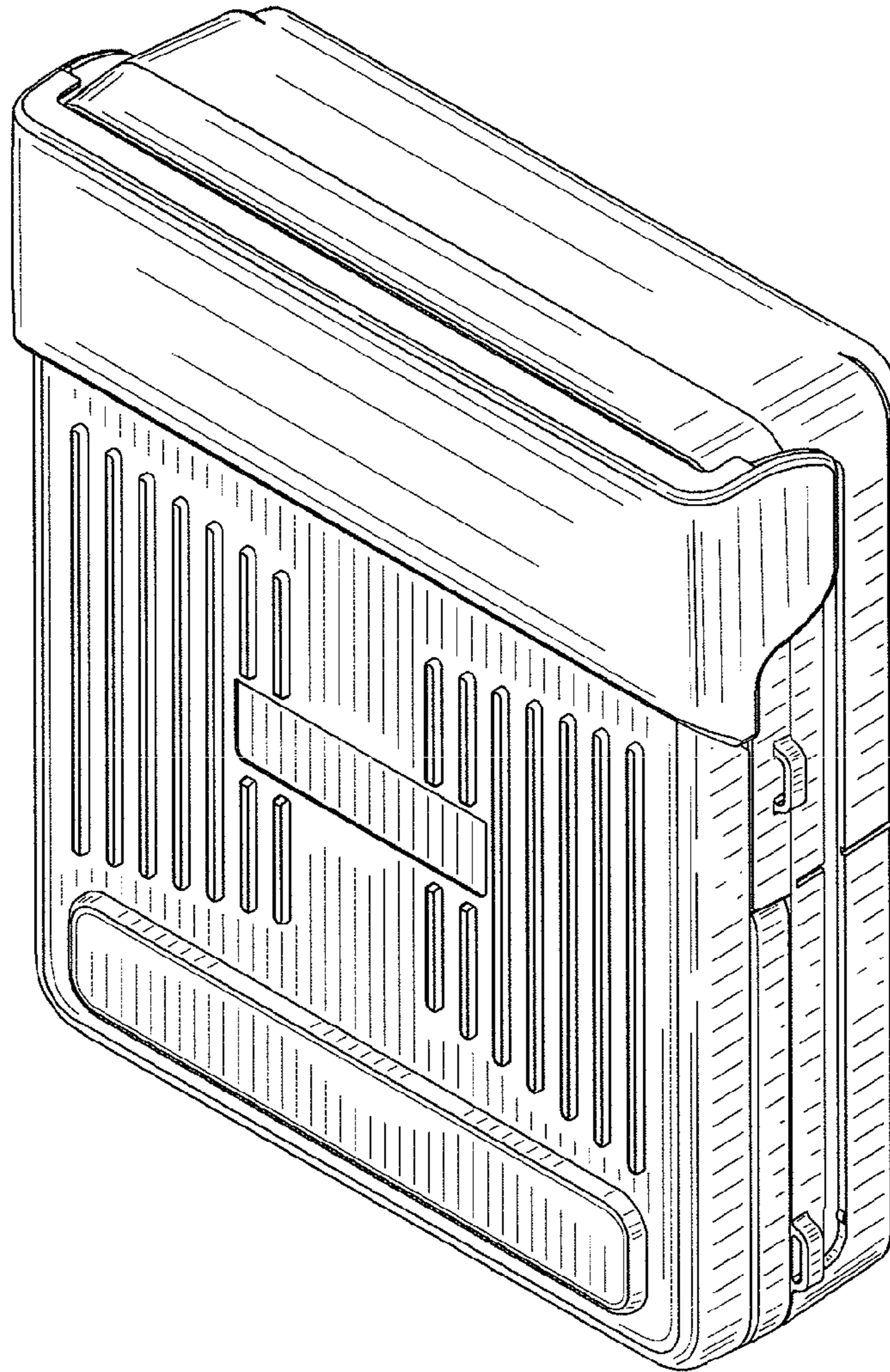


FIG. 11

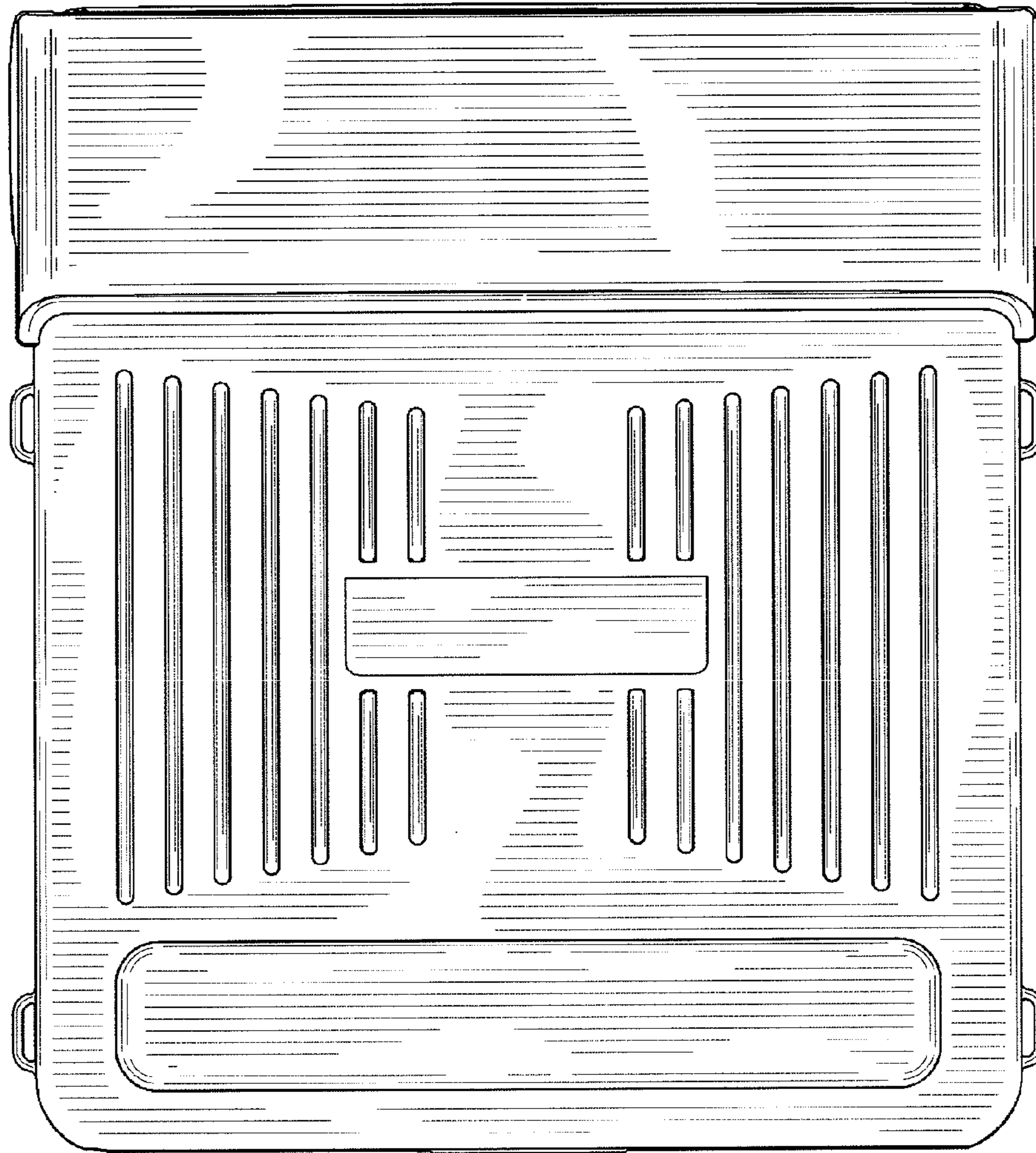


FIG. 12

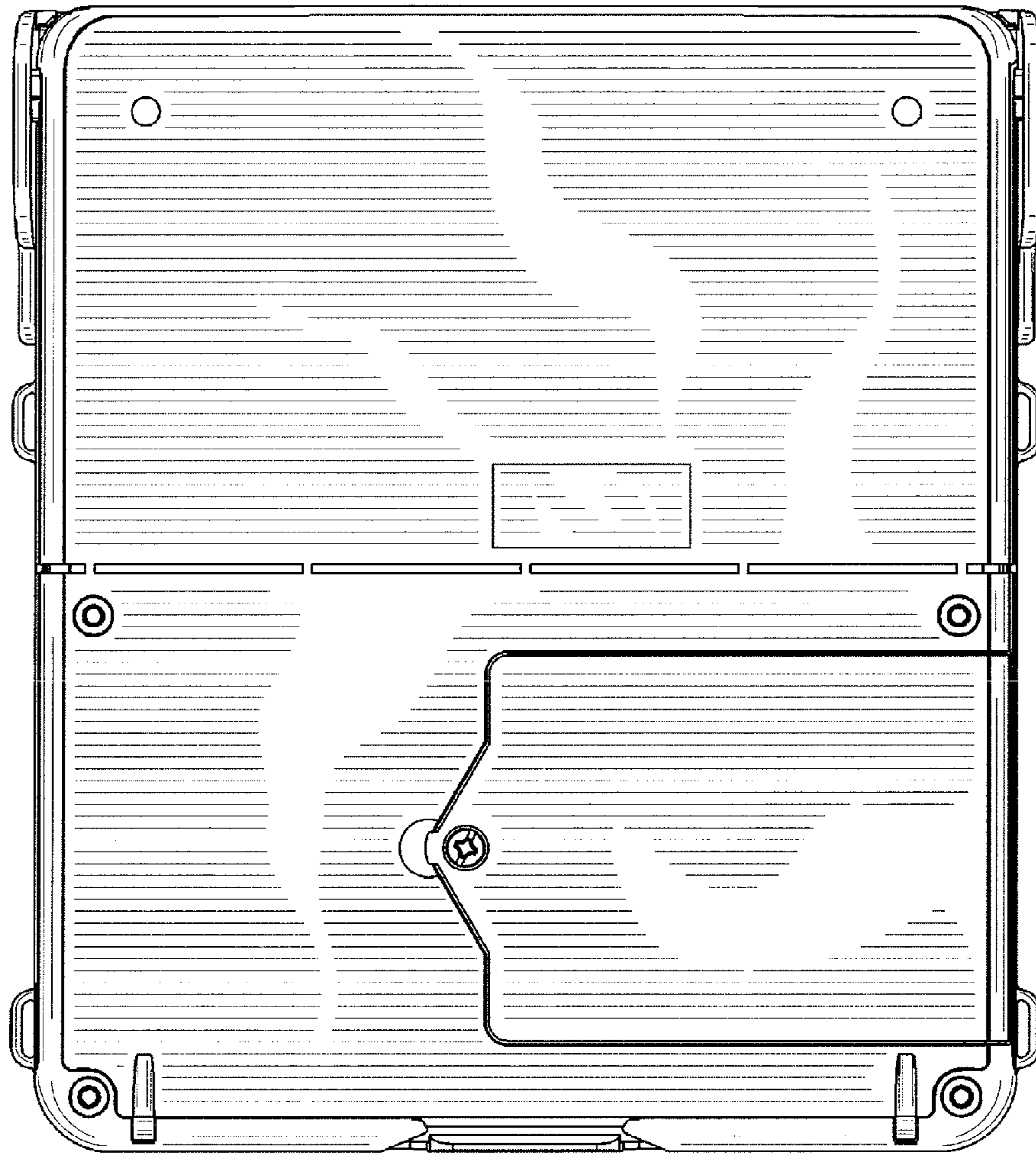


FIG. 13

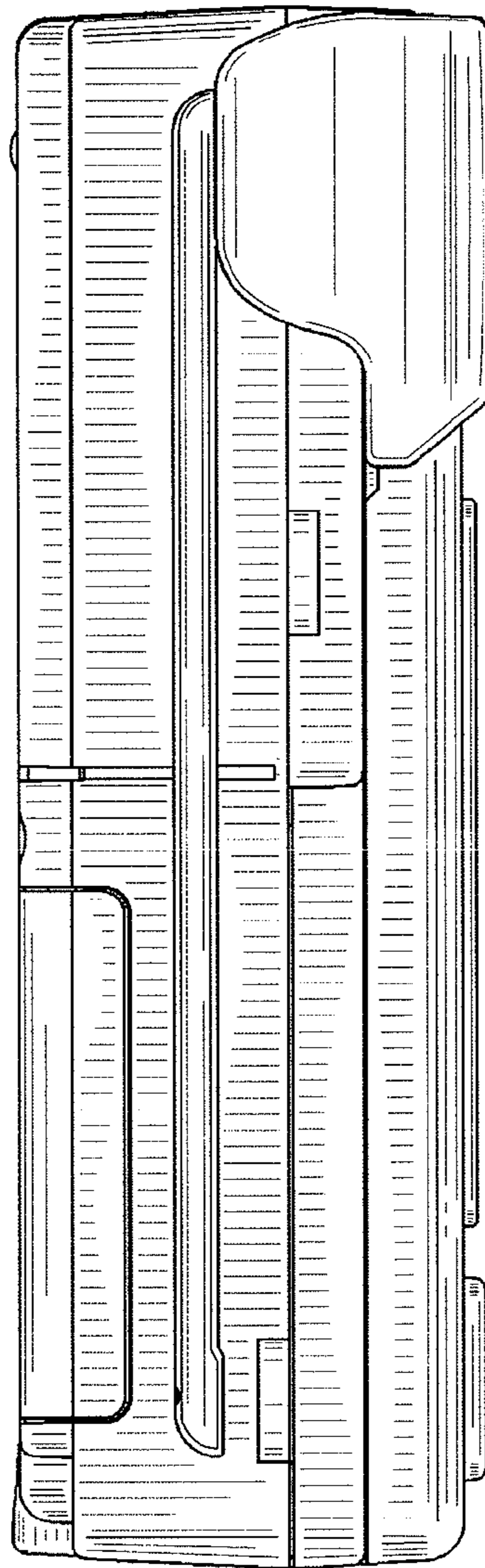


FIG. 14

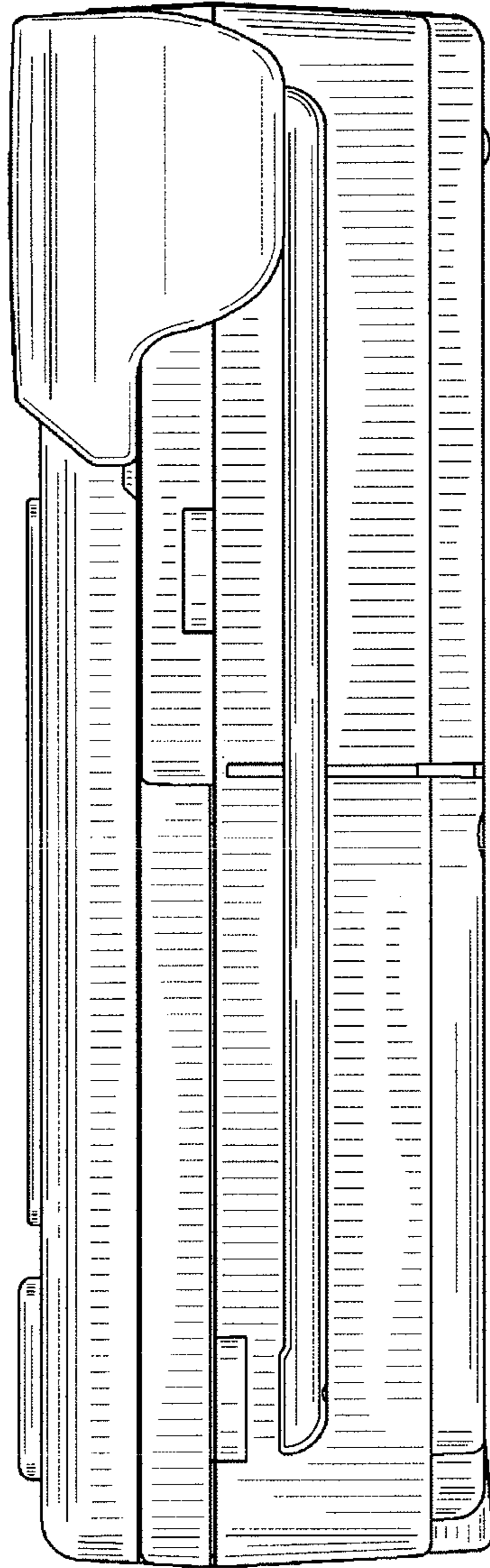


FIG. 15

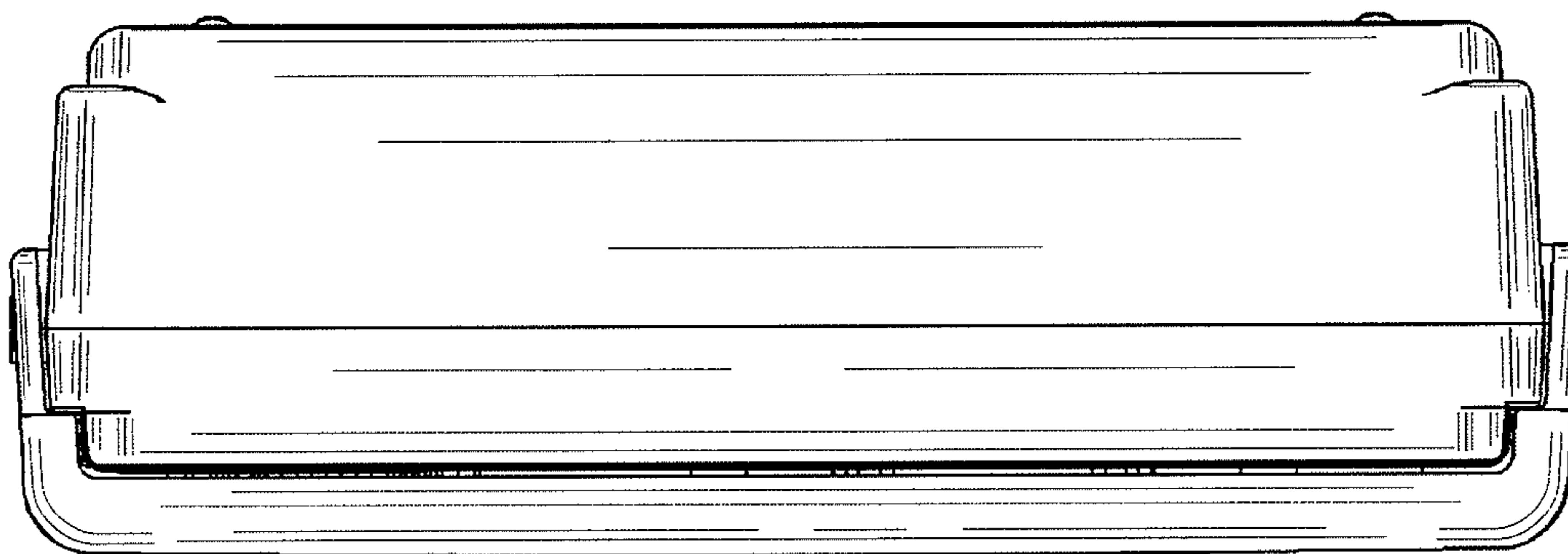


FIG. 16

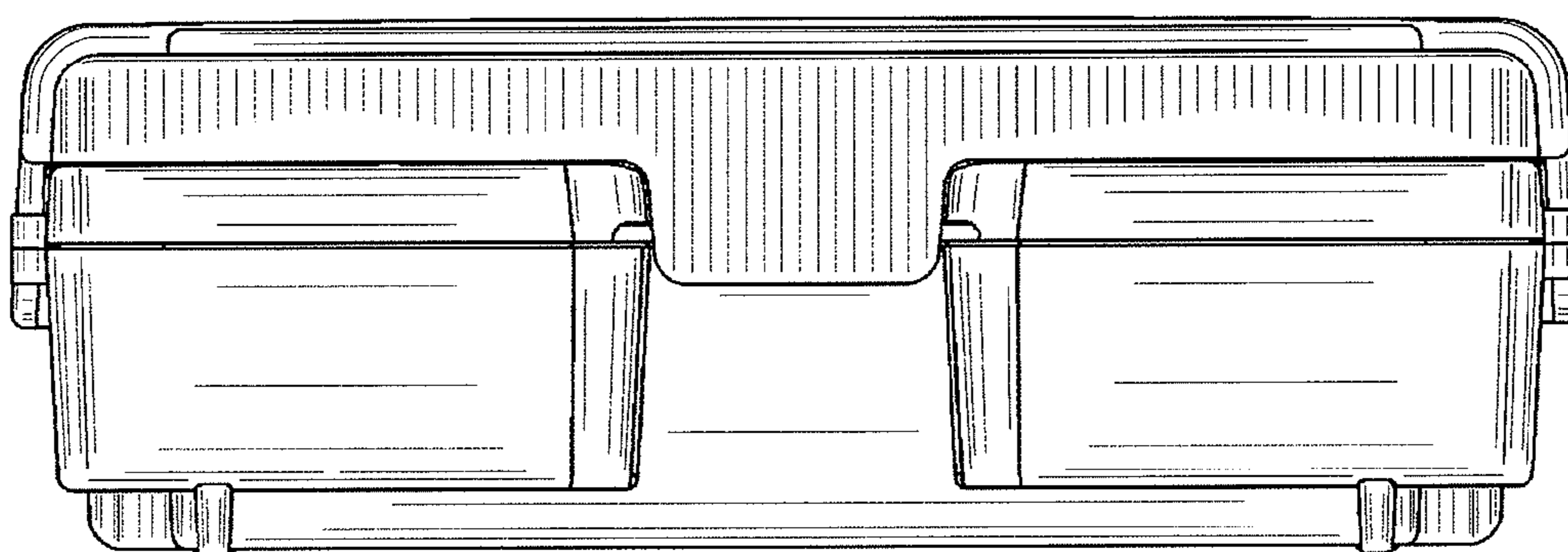


FIG. 17