



US00D700079S

(12) **United States Design Patent**
Wilks et al.

(10) **Patent No.:** **US D700,079 S**

(45) **Date of Patent:** **** Feb. 25, 2014**

(54) **BELT WEAR GAUGE**

(71) Applicant: **The Gates Corporation**, Denver, CO
(US)

(72) Inventors: **Patrick Wilks**, Rochester Hills, MI
(US); **Tim J. Stout**, Greenwood Village,
CO (US); **Douglas Gerring**, Jefferson,
NC (US); **Thomas A. Trojan**, Littleton,
CO (US); **Mark Ridgeway**, Frederick,
CO (US)

(73) Assignee: **The Gates Corporation**, Denver, CO
(US)

(**) Term: **14 Years**

(21) Appl. No.: **29/435,777**

(22) Filed: **Oct. 29, 2012**

(51) **LOC (10) Cl.** **10-04**

(52) **U.S. Cl.**
USPC **D10/64**

(58) **Field of Classification Search**
USPC D10/64; 33/454, 464, 783, 806,
33/809-813, 832, 501.08, 501.09,
33/501.7-501.19

See application file for complete search history.

(56) **References Cited**

U.S. PATENT DOCUMENTS

D251,059	S	*	2/1979	Montell	D10/64
4,342,153	A	*	8/1982	Cole	33/836
4,435,906	A	*	3/1984	Mori	33/628
4,683,661	A	*	8/1987	Sommer	33/833
5,548,903	A	*	8/1996	Johnson et al.	33/810
5,915,810	A	*	6/1999	Cameron	33/809
2008/0301964	A1	*	12/2008	Jordan et al.	33/562
2010/0307221	A1	*	12/2010	Smith et al.	73/7

* cited by examiner

Primary Examiner — Antoine D Davis

(74) *Attorney, Agent, or Firm* — Jeffrey A. Thurnau, Esq.;
Paul N. Dunlap, Esq.

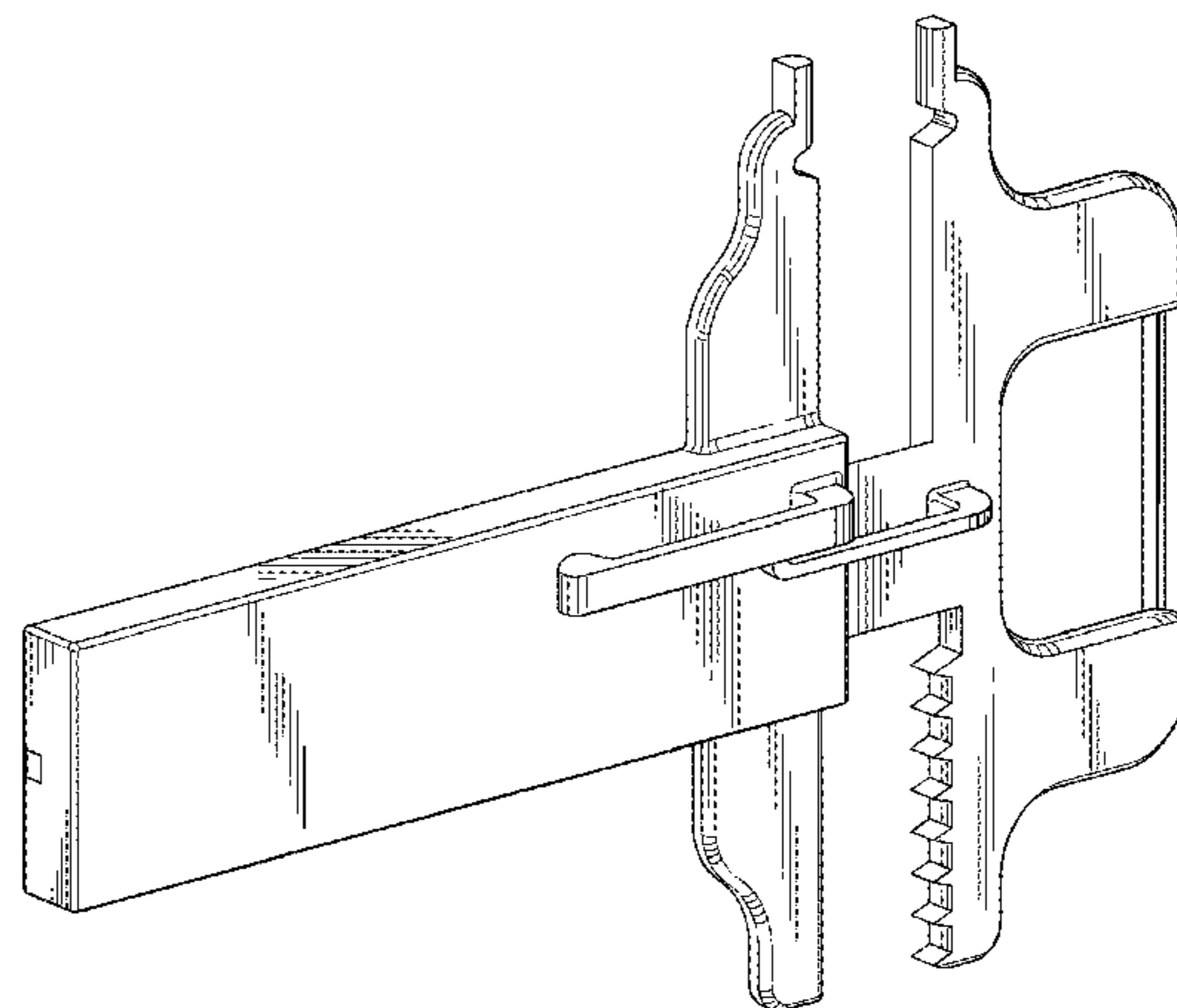
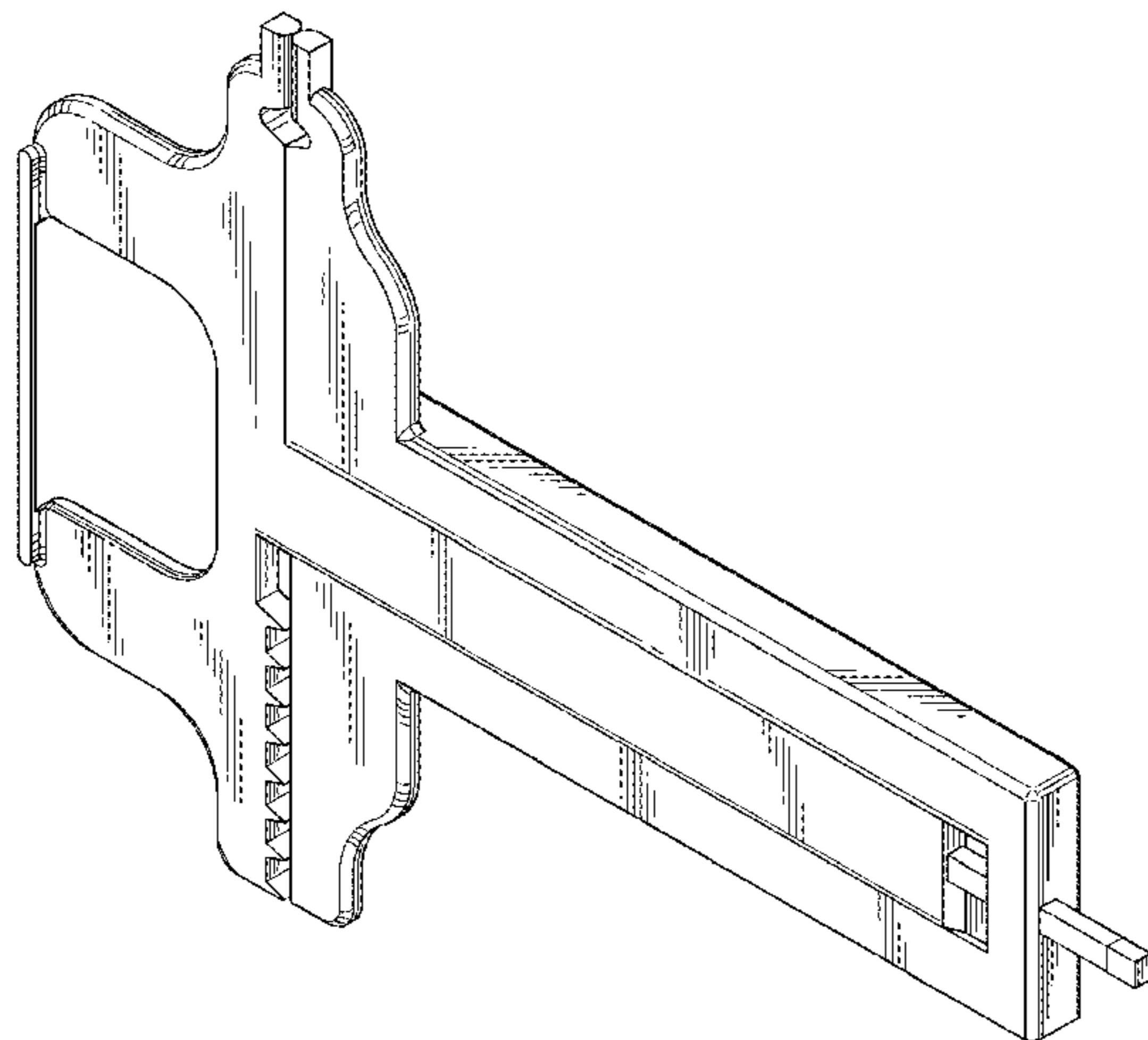
(57) **CLAIM**

The ornamental design for a belt wear gauge, as shown and described.

DESCRIPTION

FIG. 1 is a front plan view.
FIG. 2 is a back plan view.
FIG. 3 is a side elevation view.
FIG. 4 is a side elevation view.
FIG. 5 is an end view.
FIG. 6 is an end view.
FIG. 7 is a front perspective view.
FIG. 8 is a back perspective view.
FIG. 9 is a front perspective view of component A; and,
FIG. 10 is a front perspective view of component B.

1 Claim, 4 Drawing Sheets



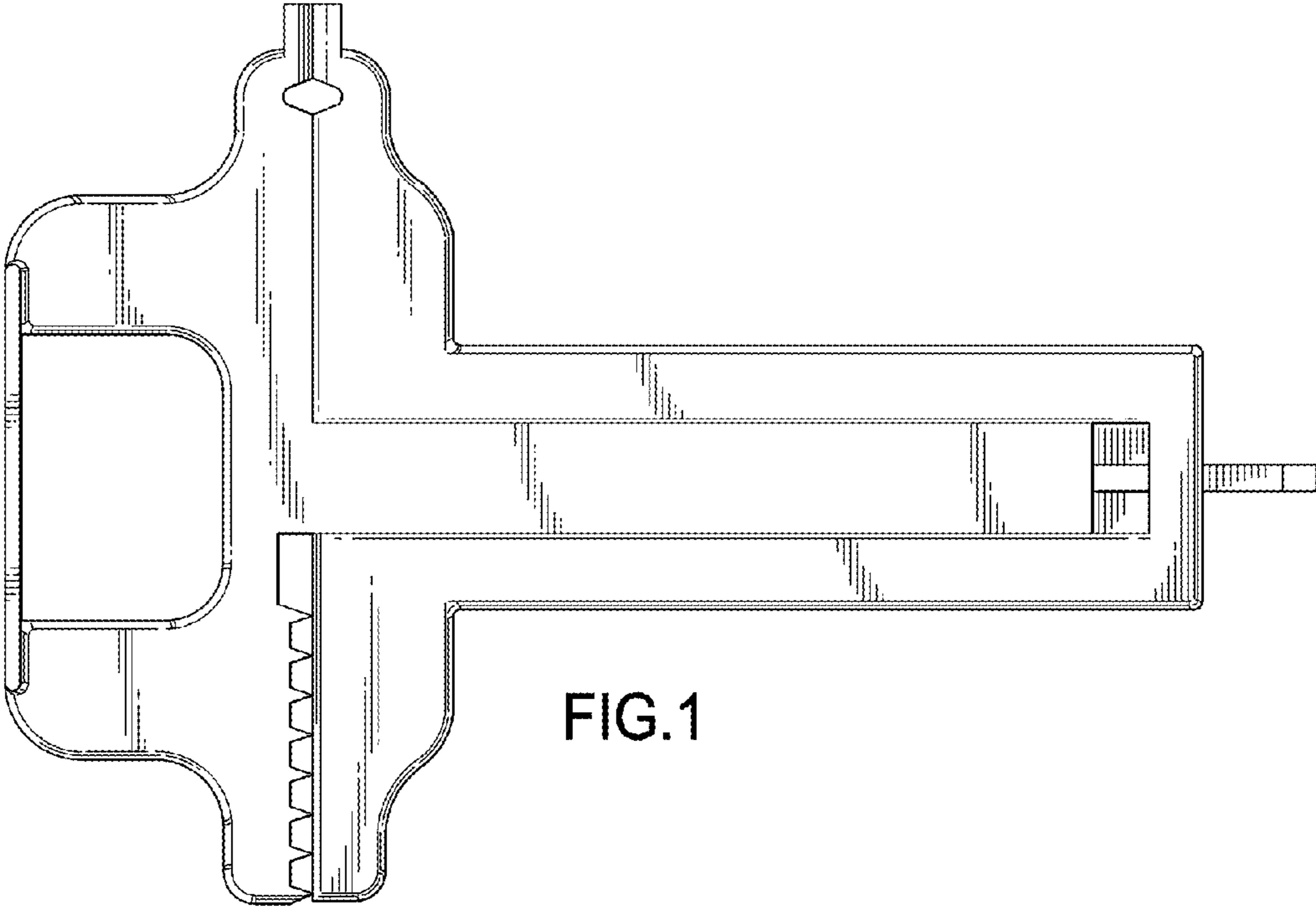


FIG.1

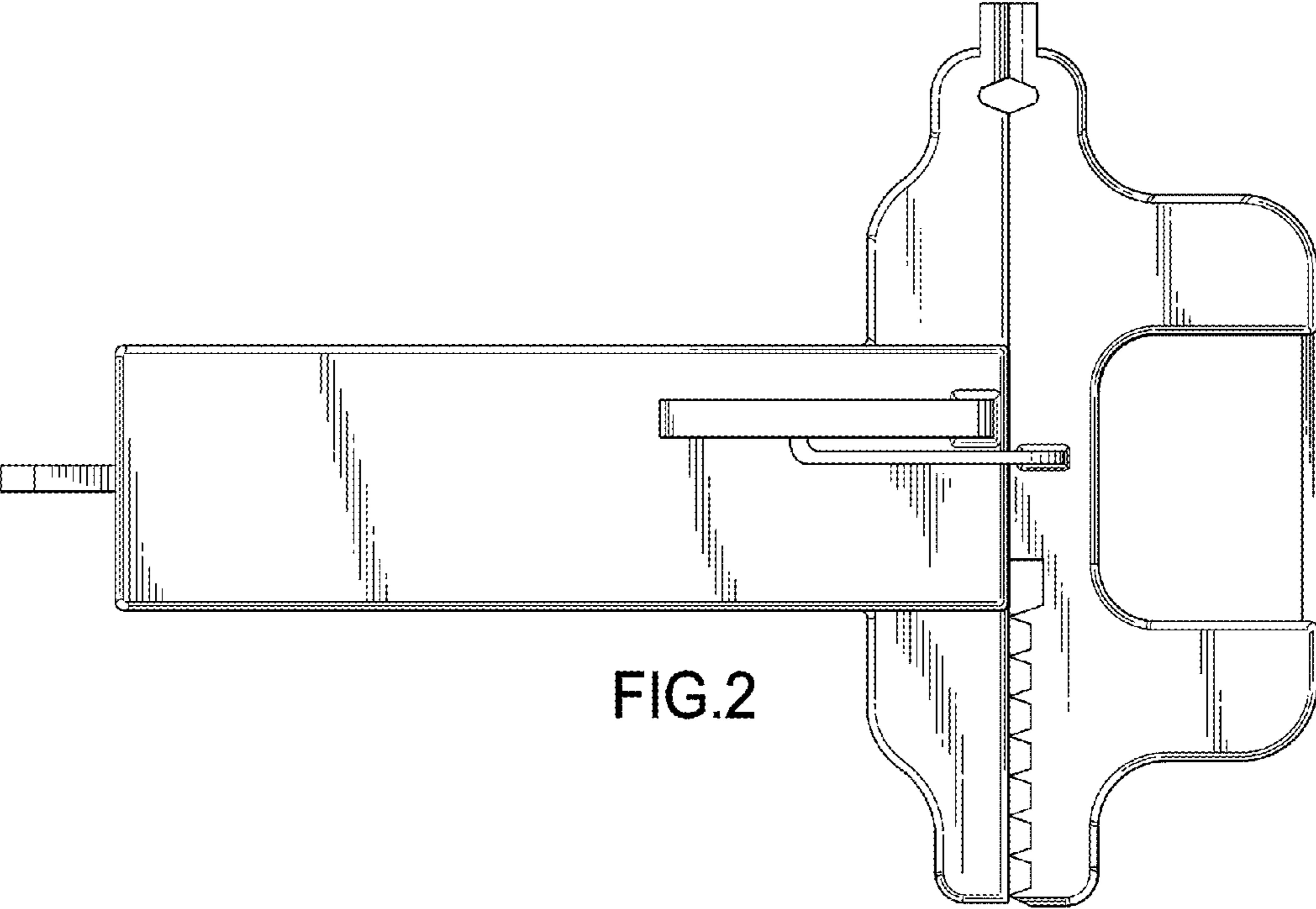


FIG.2

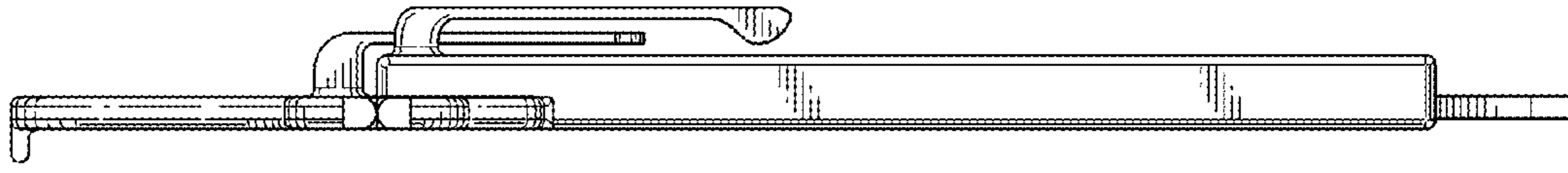


FIG. 3

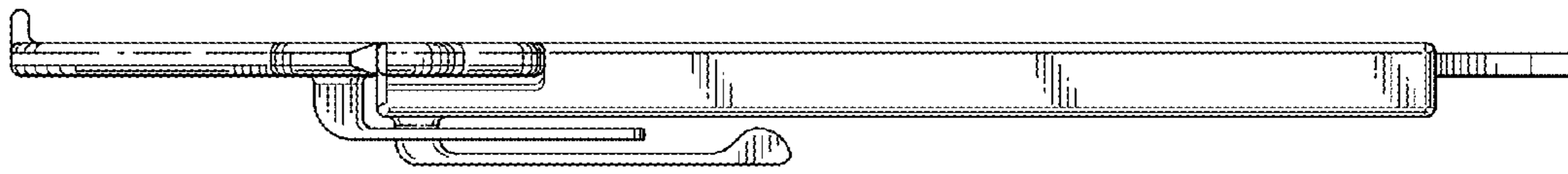


FIG. 4

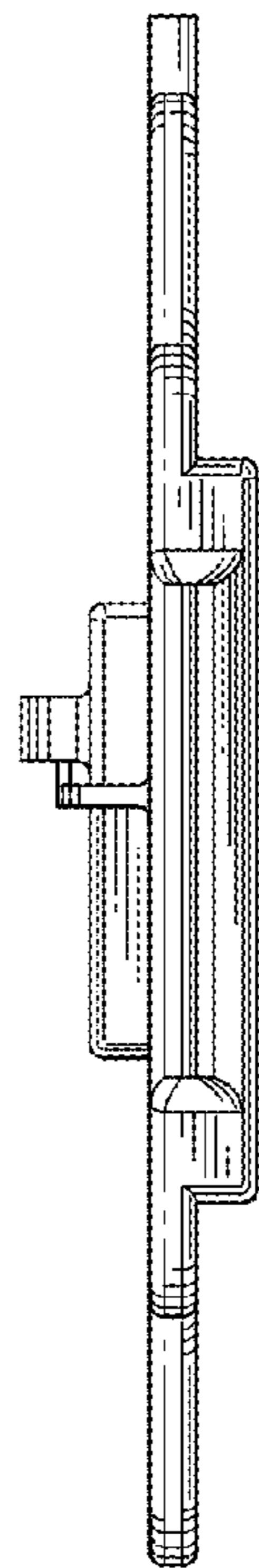


FIG. 5

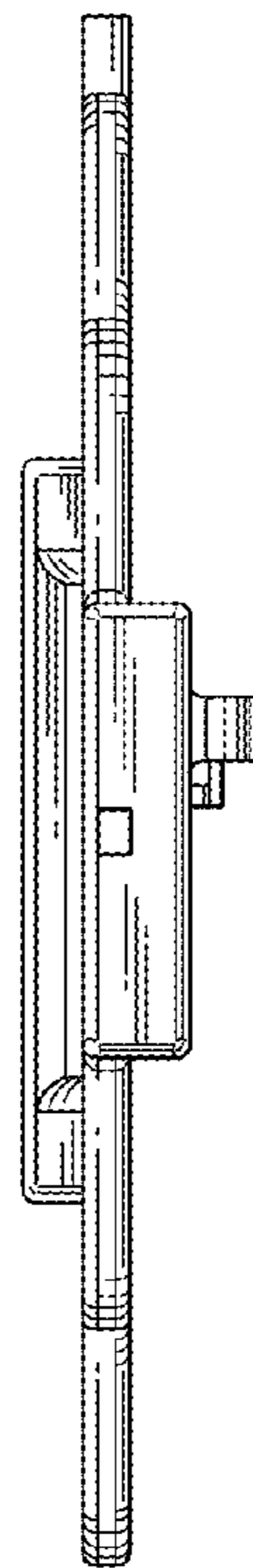


FIG. 6

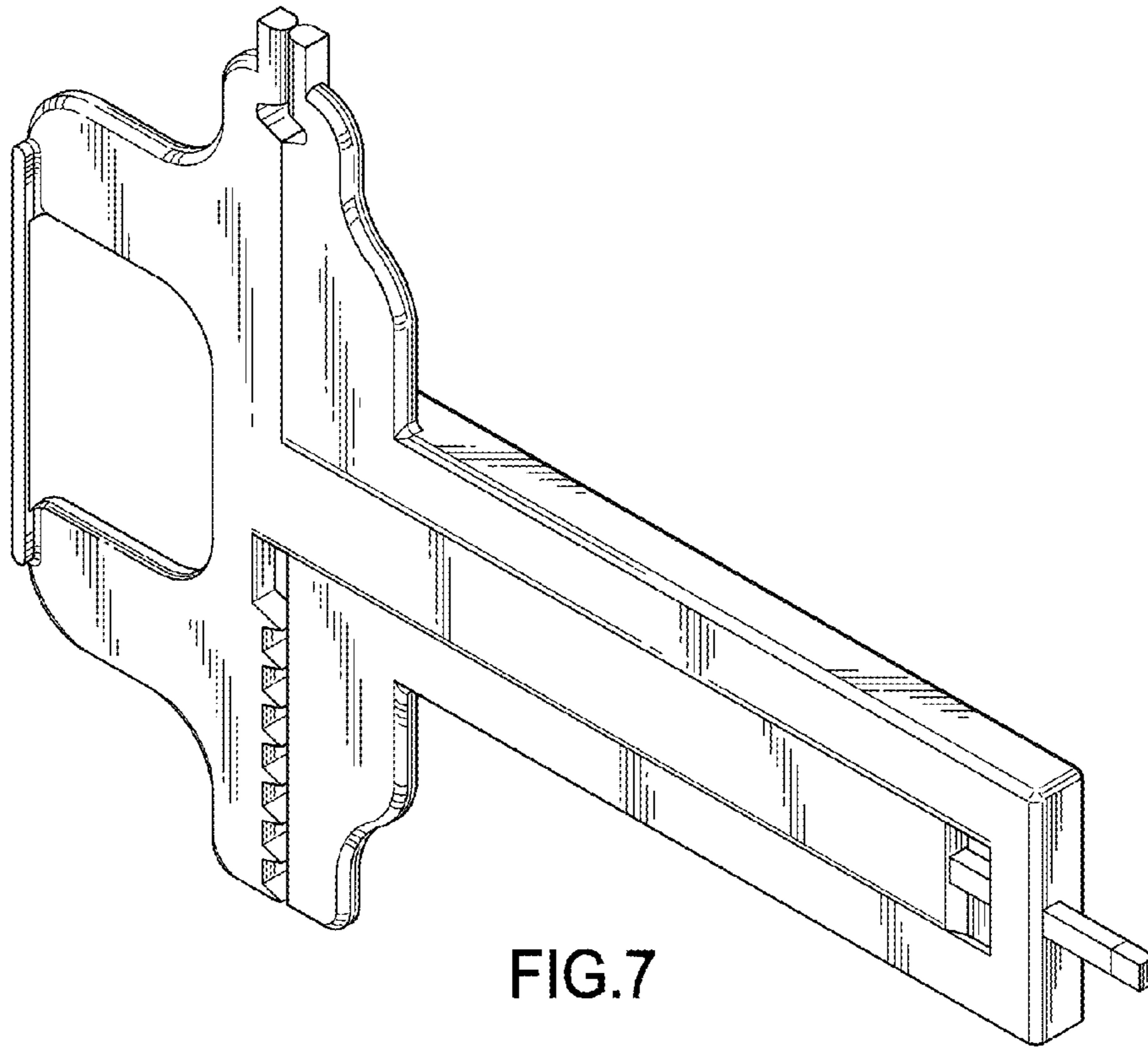


FIG. 7

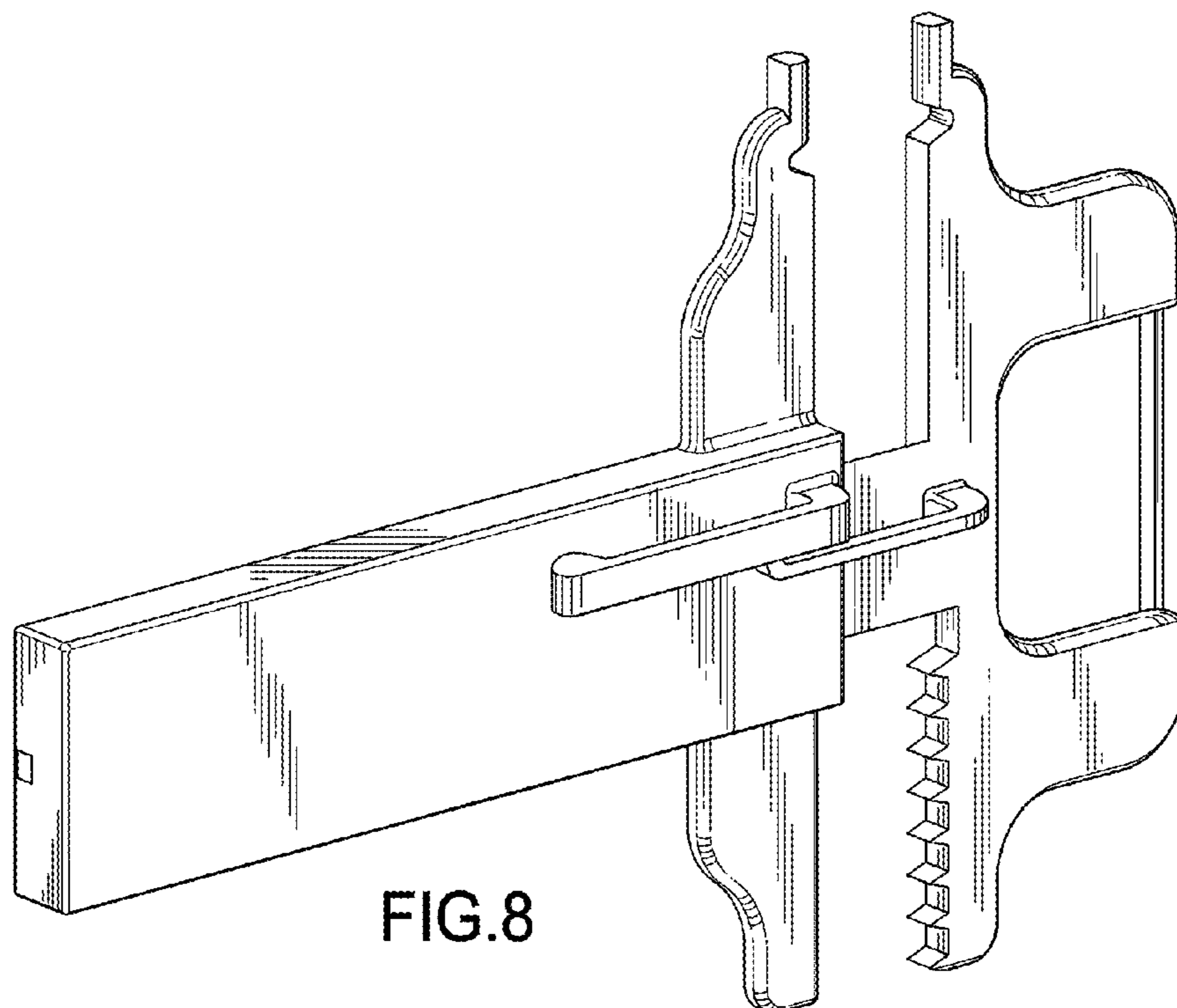


FIG. 8

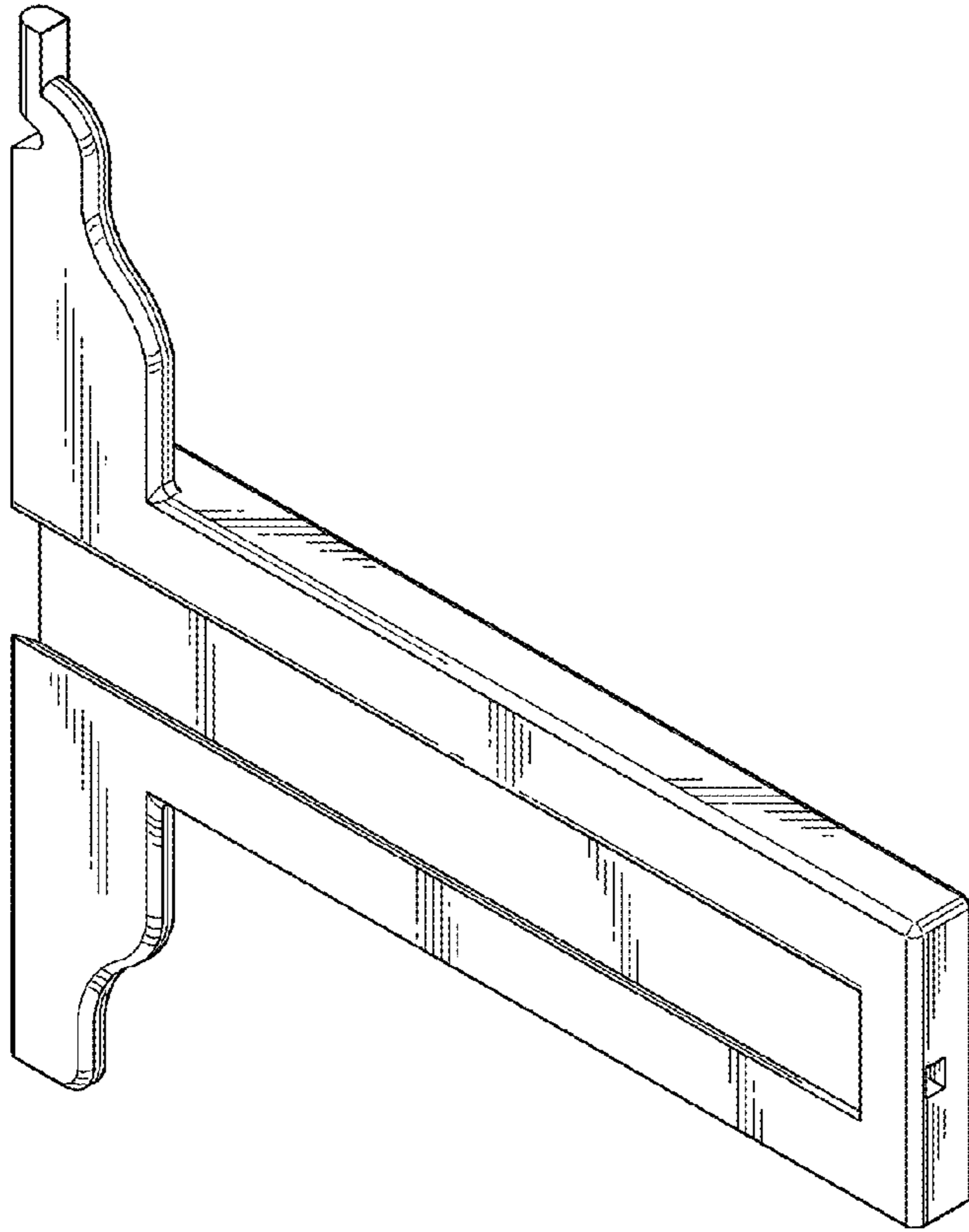


FIG. 9

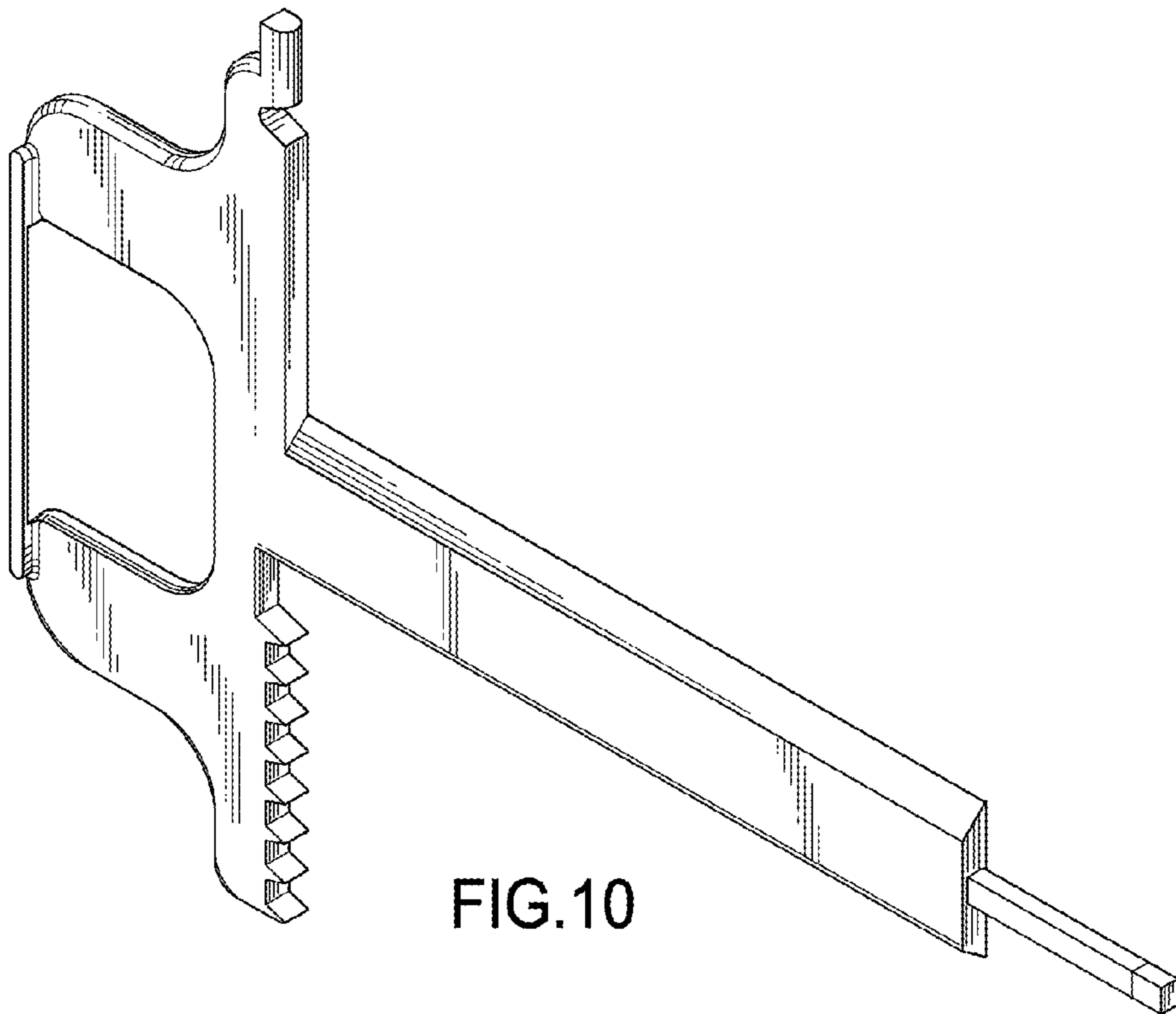


FIG. 10