



US00D700078S

(12) **United States Design Patent**
Wurts et al.

(10) **Patent No.:** **US D700,078 S**

(45) **Date of Patent:** **** Feb. 25, 2014**

(54) **POCKET FOLDING THERMOMETER**

(71) Applicants: **Adolfo Jose Wurts**, Orange, CA (US);
Jason Corbett Gilley, Hacienda Heights, CA (US)

(72) Inventors: **Adolfo Jose Wurts**, Orange, CA (US);
Jason Corbett Gilley, Hacienda Heights, CA (US)

(73) Assignee: **Fieldpiece Instruments, Inc.**, Anaheim, CA (US)

(**) Term: **14 Years**

(21) Appl. No.: **29/461,074**

(22) Filed: **Jul. 18, 2013**

(51) **LOC (10) Cl.** **10-04**

(52) **U.S. Cl.**
USPC **D10/57**

(58) **Field of Classification Search**
USPC D10/57, 60; 374/1-209,
374/E1.011-E1.017

See application file for complete search history.

(56) **References Cited**

U.S. PATENT DOCUMENTS

D570,714 S * 6/2008 Aulwes et al. D10/57

* cited by examiner

Primary Examiner — Antoine D Davis

(74) *Attorney, Agent, or Firm* — Lynn & Lynn; John H. Lynn

(57) **CLAIM**

The ornamental design for a pocket folding thermometer, as shown and described.

DESCRIPTION

FIG. 1 is a front elevation view of our new design.

FIG. 2 is a left side view thereof;

FIG. 3 is a right side elevation view thereof;

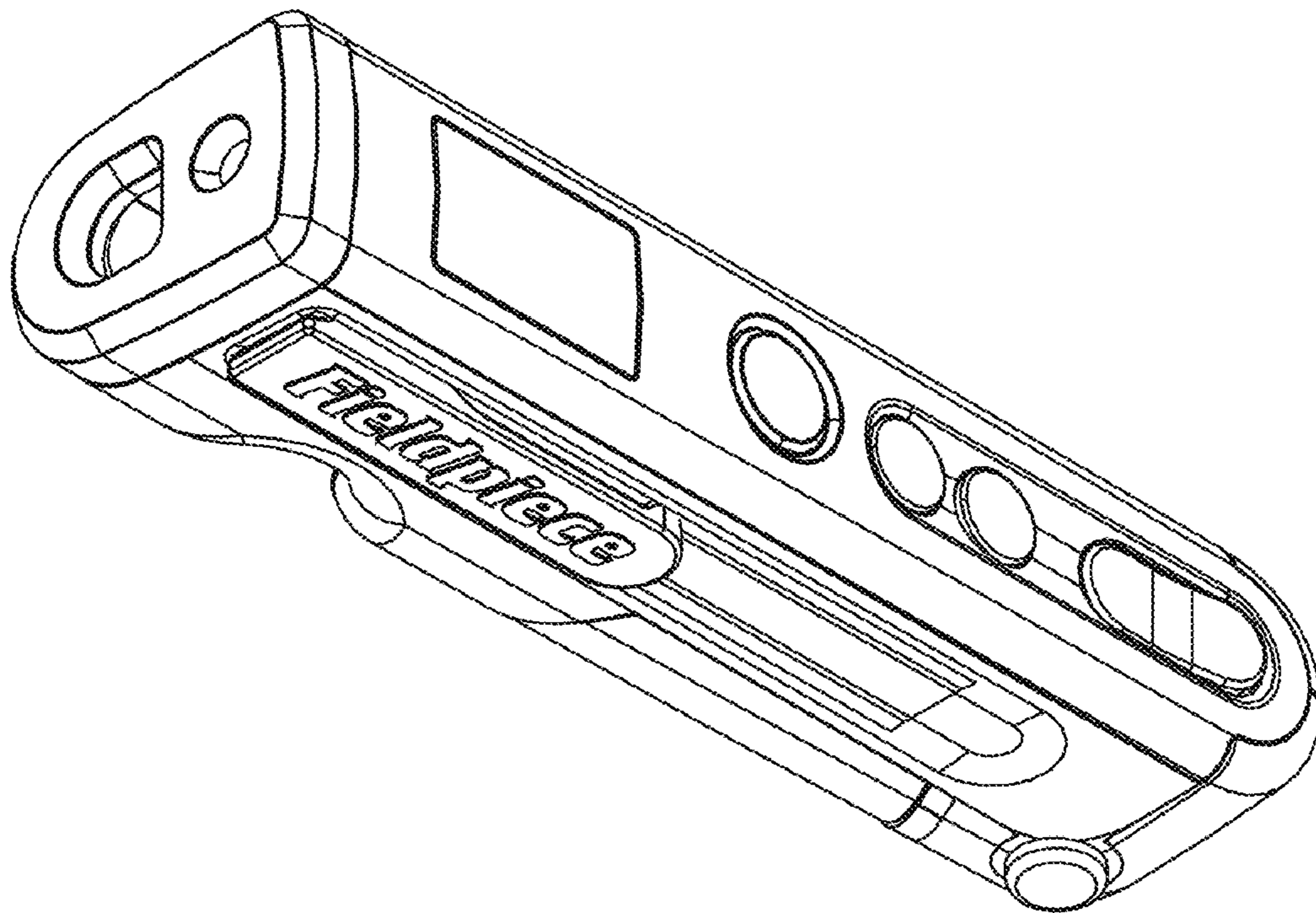
FIG. 4 is a back side elevation view thereof;

FIG. 5 is a top plan view thereof;

FIG. 6 is a bottom plan view thereof; and,

FIG. 7 is a perspective view showing the top, front and left sides thereof.

1 Claim, 2 Drawing Sheets



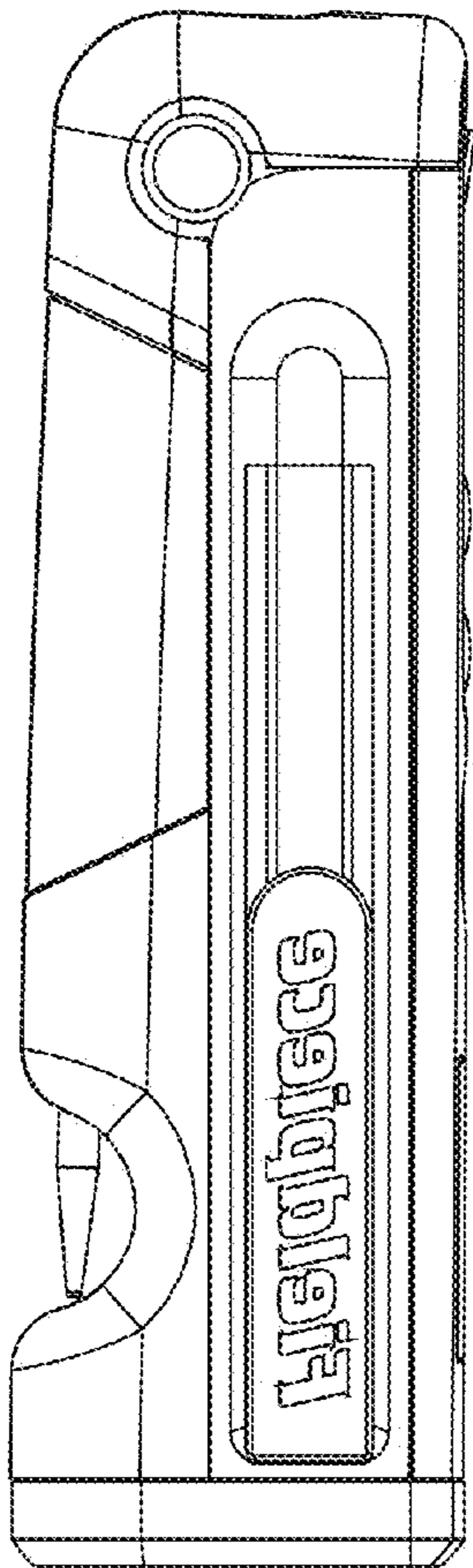


FIG. 2

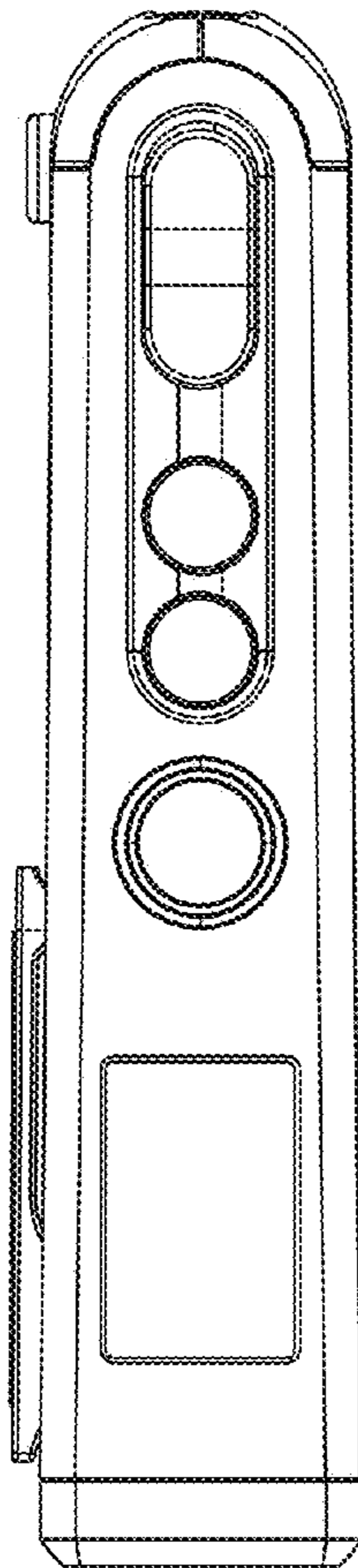


FIG. 1

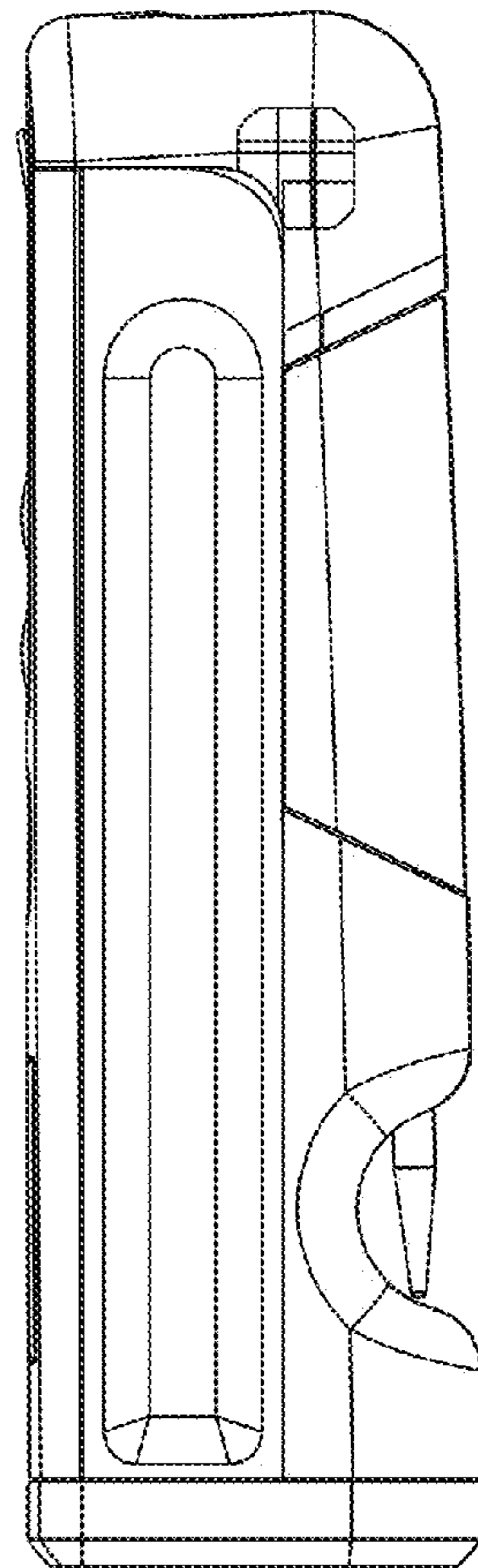


FIG. 3

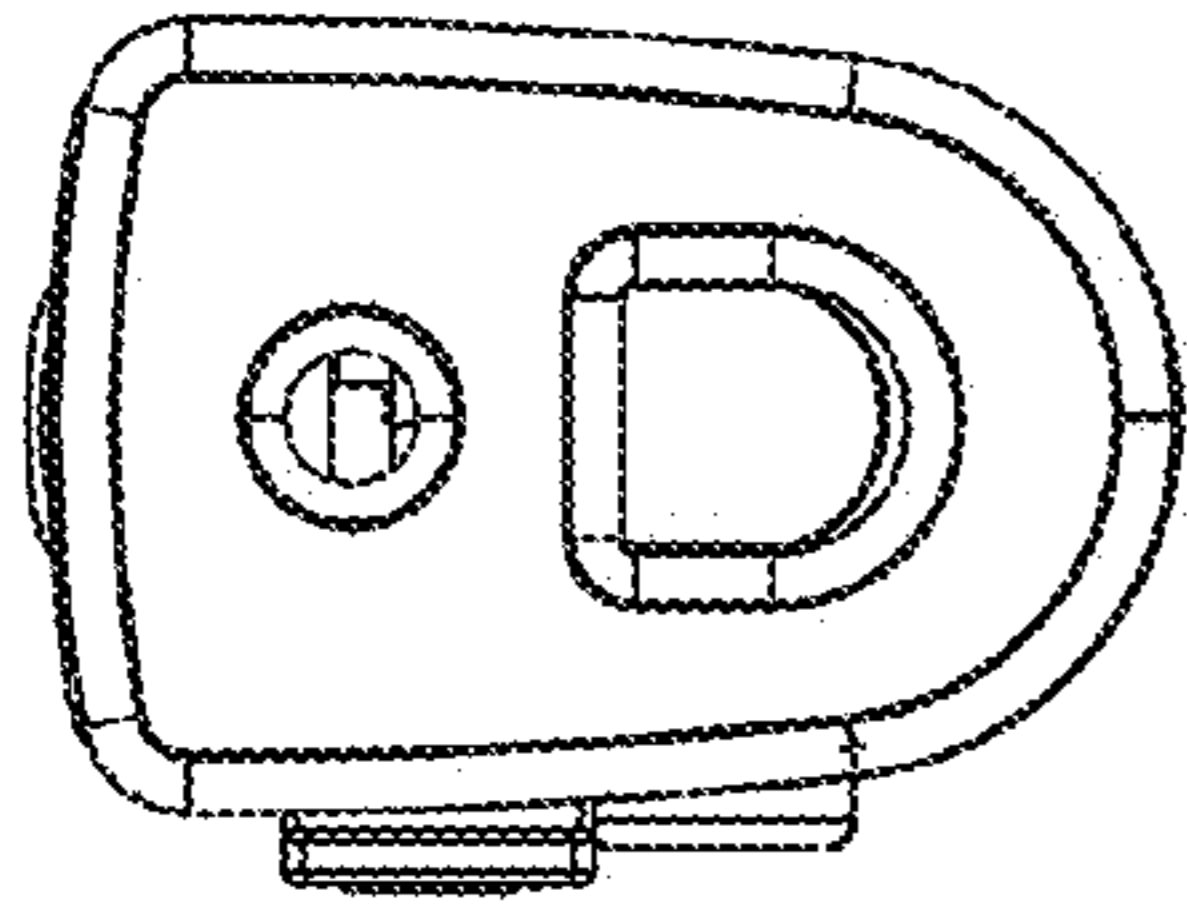


FIG. 5

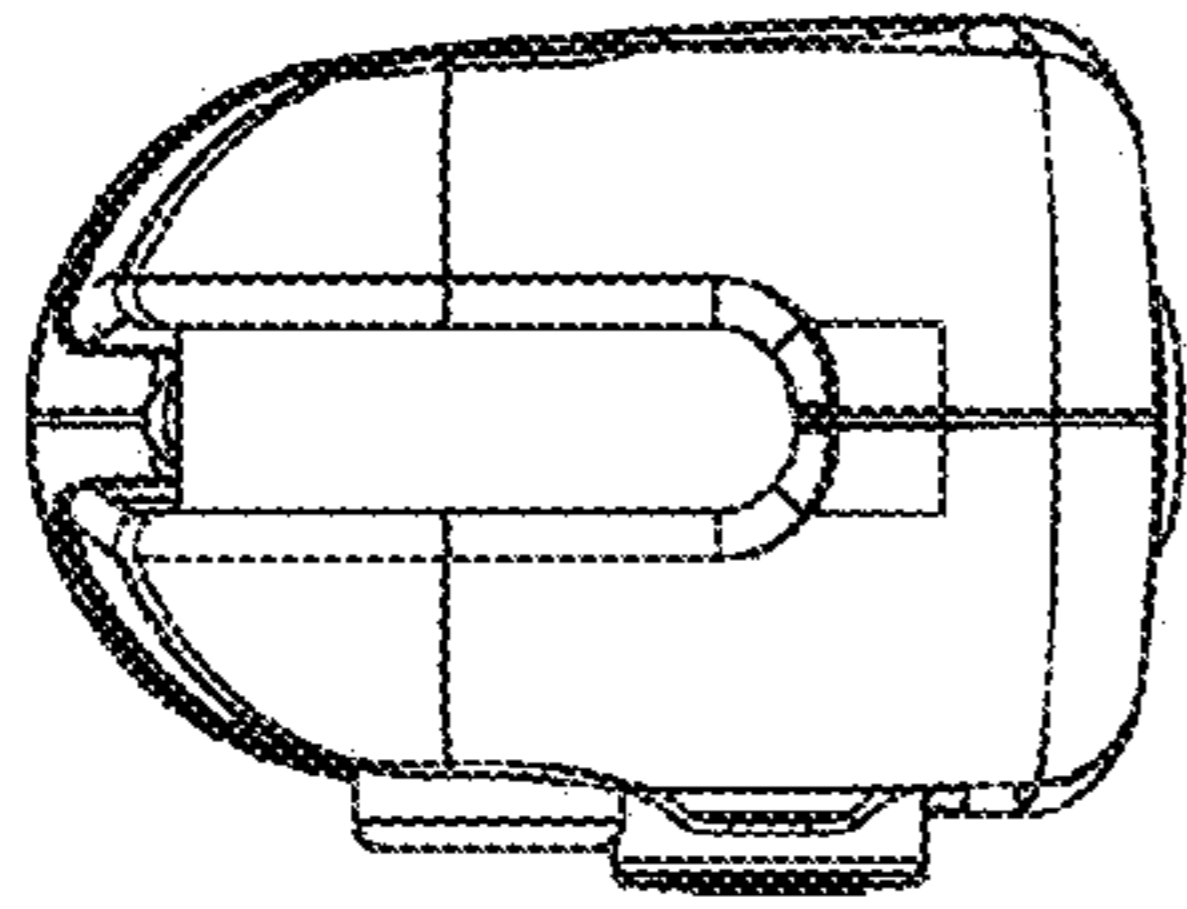


FIG. 6

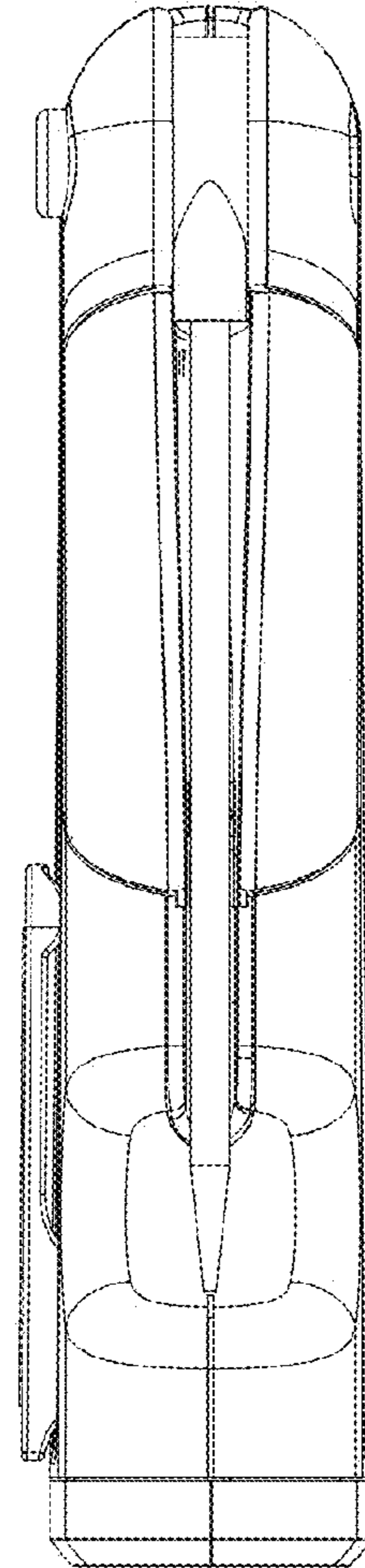


FIG. 4

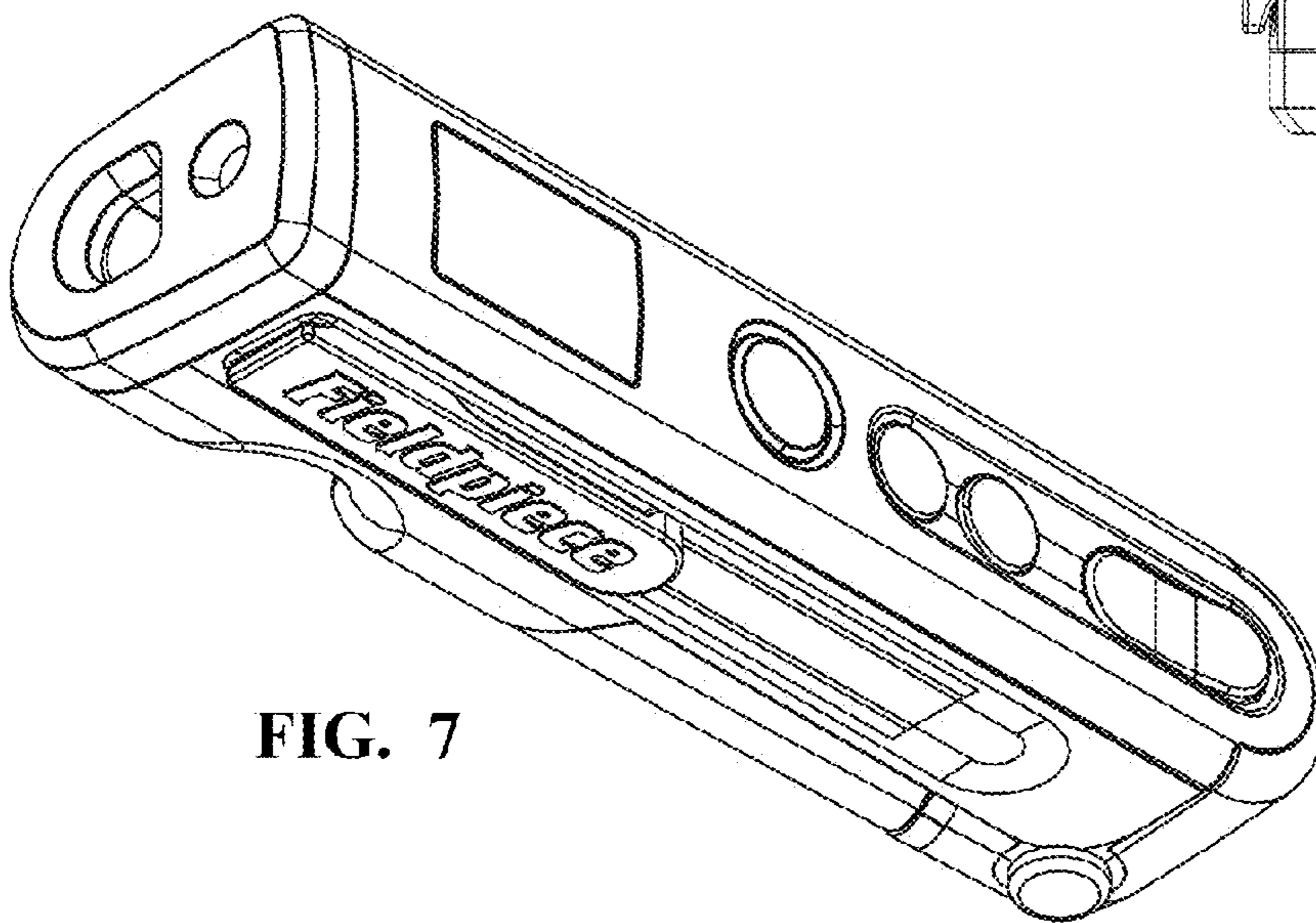


FIG. 7