

US00D700077S

(12) **United States Design Patent**  
**Wurts et al.**

(10) **Patent No.:** **US D700,077 S**

(45) **Date of Patent:** **\*\* Feb. 25, 2014**

(54) **POCKET FOLDING THERMOMETER**

(56) **References Cited**

(71) Applicants: **Adolfo Jose Wurts**, Orange, CA (US);  
**Jason Corbett Gilley**, Hacienda Heights, CA (US)

U.S. PATENT DOCUMENTS

D616,772 S \* 6/2010 Guo ..... D10/57

\* cited by examiner

(72) Inventors: **Adolfo Jose Wurts**, Orange, CA (US);  
**Jason Corbett Gilley**, Hacienda Heights, CA (US)

*Primary Examiner* — Antoine D Davis

(74) *Attorney, Agent, or Firm* — Lynn & Lynn; John H Lynn

(73) Assignee: **Fieldpiece Instruments, Inc.**, Anaheim, CA (US)

(57) **CLAIM**

The ornamental design for a pocket folding thermometer, as shown and described.

(\*\*) Term: **14 Years**

**DESCRIPTION**

(21) Appl. No.: **29/461,060**

FIG. 1 is a front elevation view of our new design.

(22) Filed: **Jul. 18, 2013**

FIG. 2 is a left side view thereof;

(51) **LOC (10) Cl.** ..... **10-04**

FIG. 3 is a right side elevation view thereof;

(52) **U.S. Cl.**

FIG. 4 is a back side elevation view thereof;

USPC ..... **D10/57**

FIG. 5 is a top plan view thereof;

(58) **Field of Classification Search**

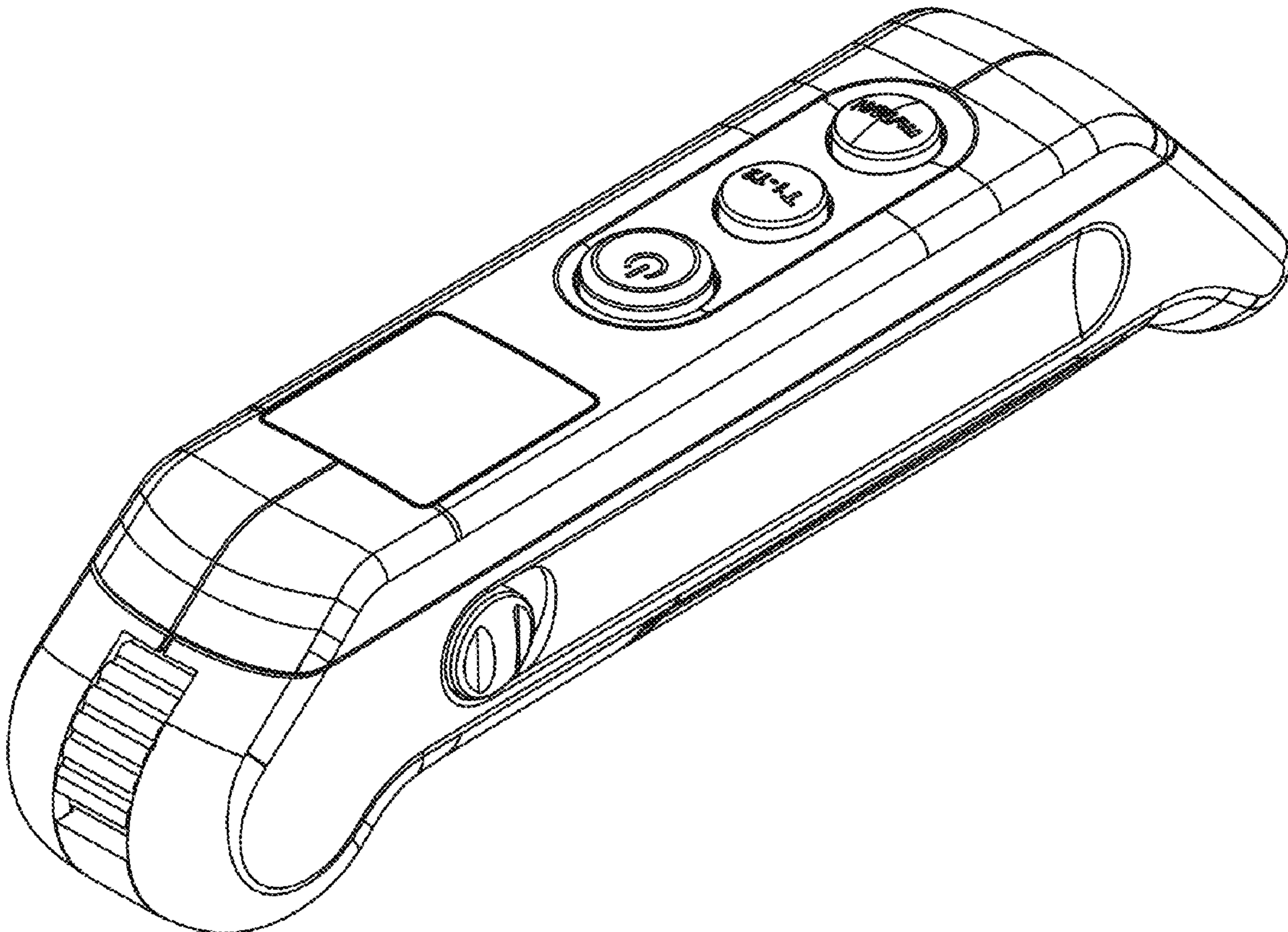
FIG. 6 is a bottom plan view thereof; and,

USPC ..... D10/57, 60; 374/1-209,  
374/E1.011-E1.017

FIG. 7 is a perspective view showing the top, front and left sides thereof.

See application file for complete search history.

**1 Claim, 2 Drawing Sheets**



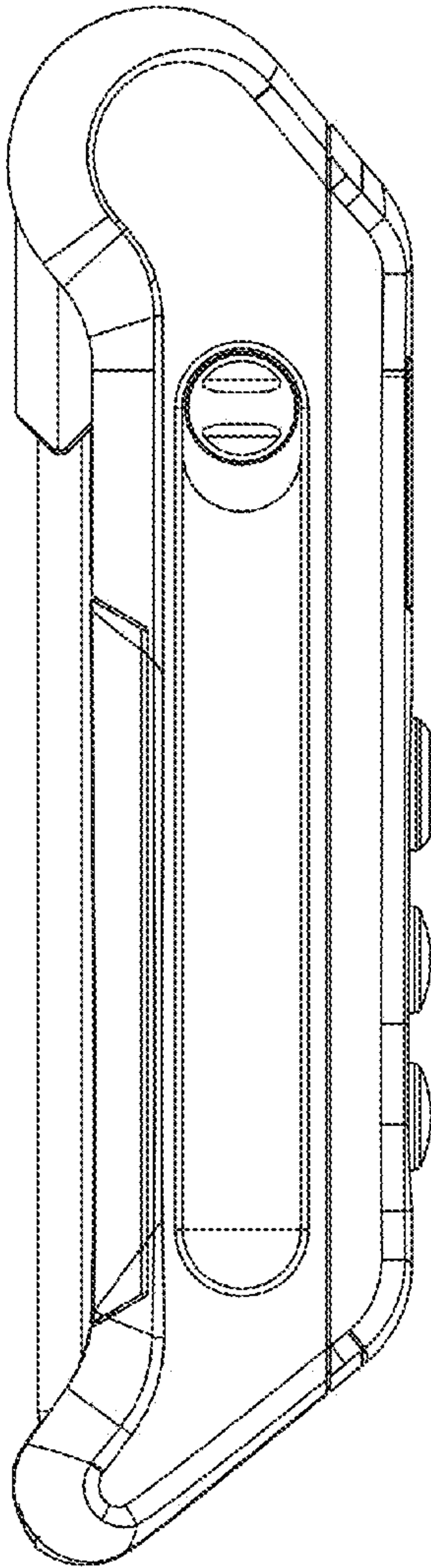


FIG. 2

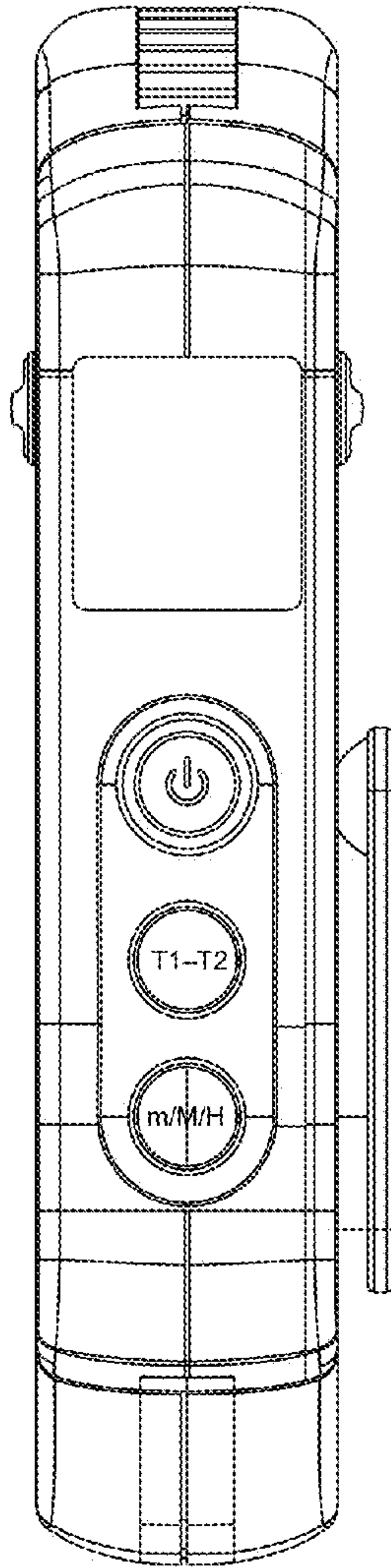


FIG. 1

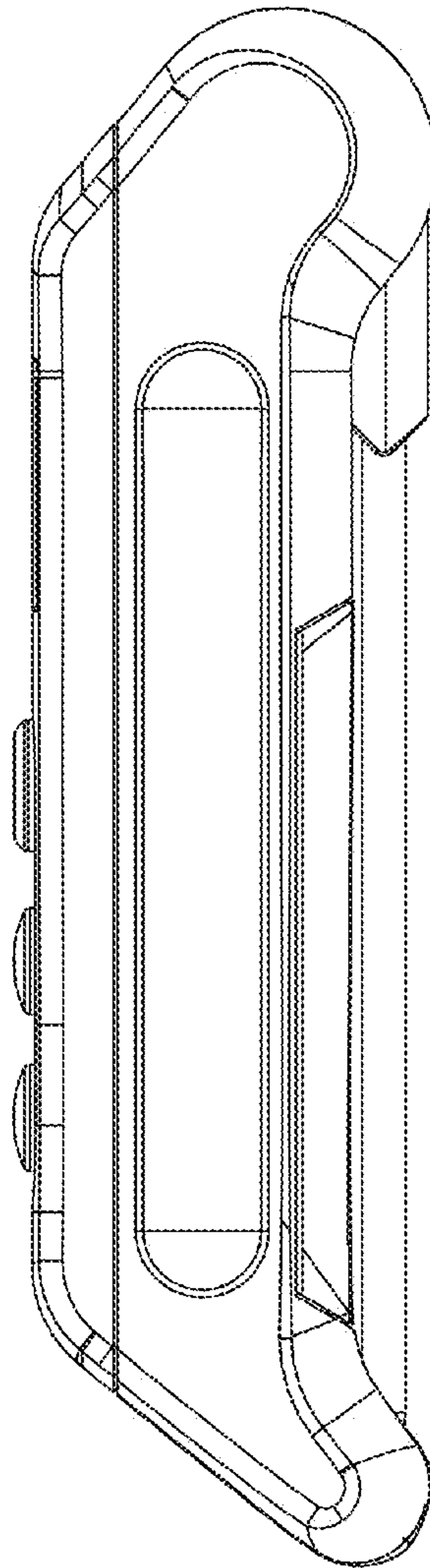


FIG. 3



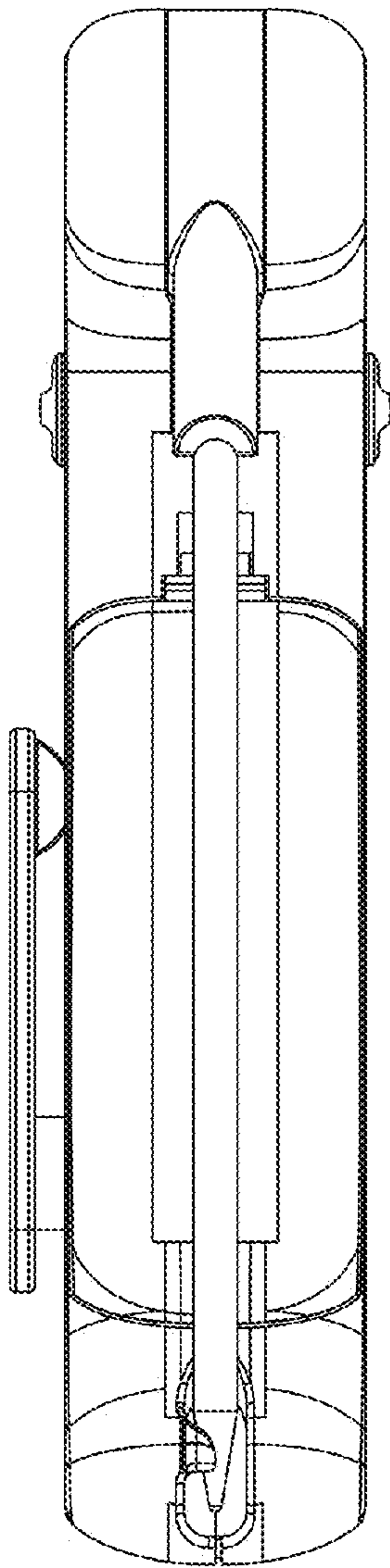


FIG. 4

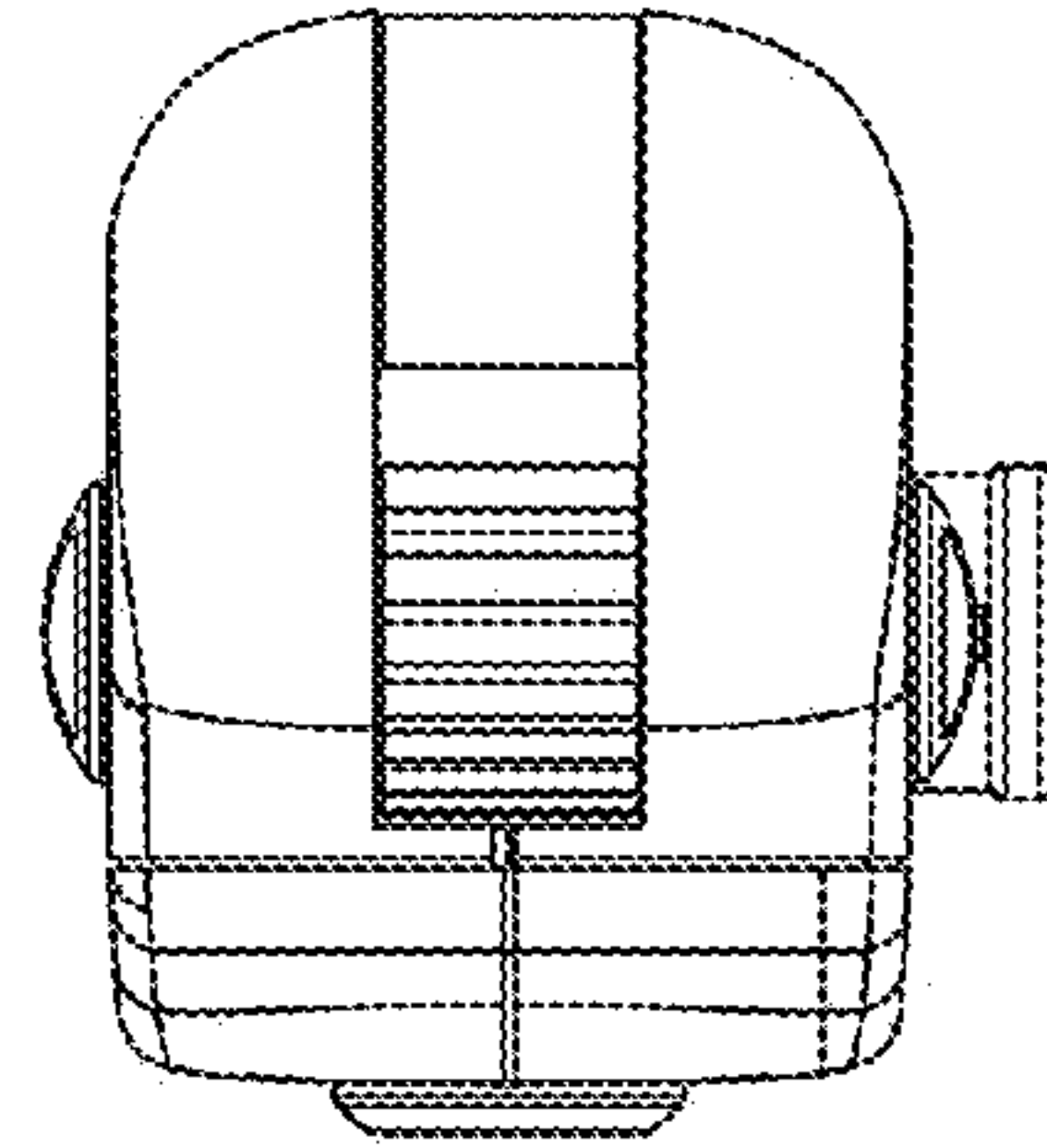


FIG. 5

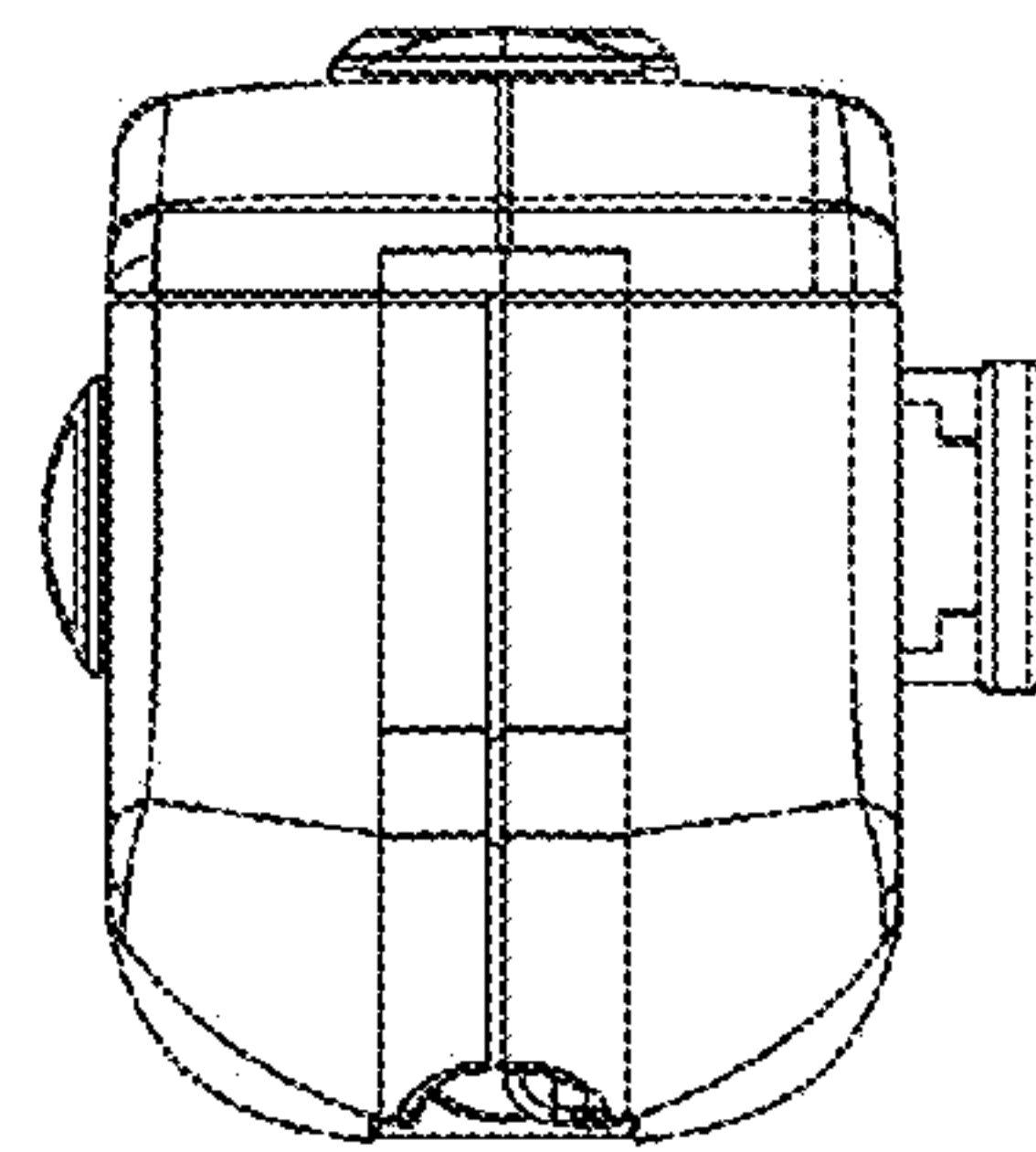


FIG. 6

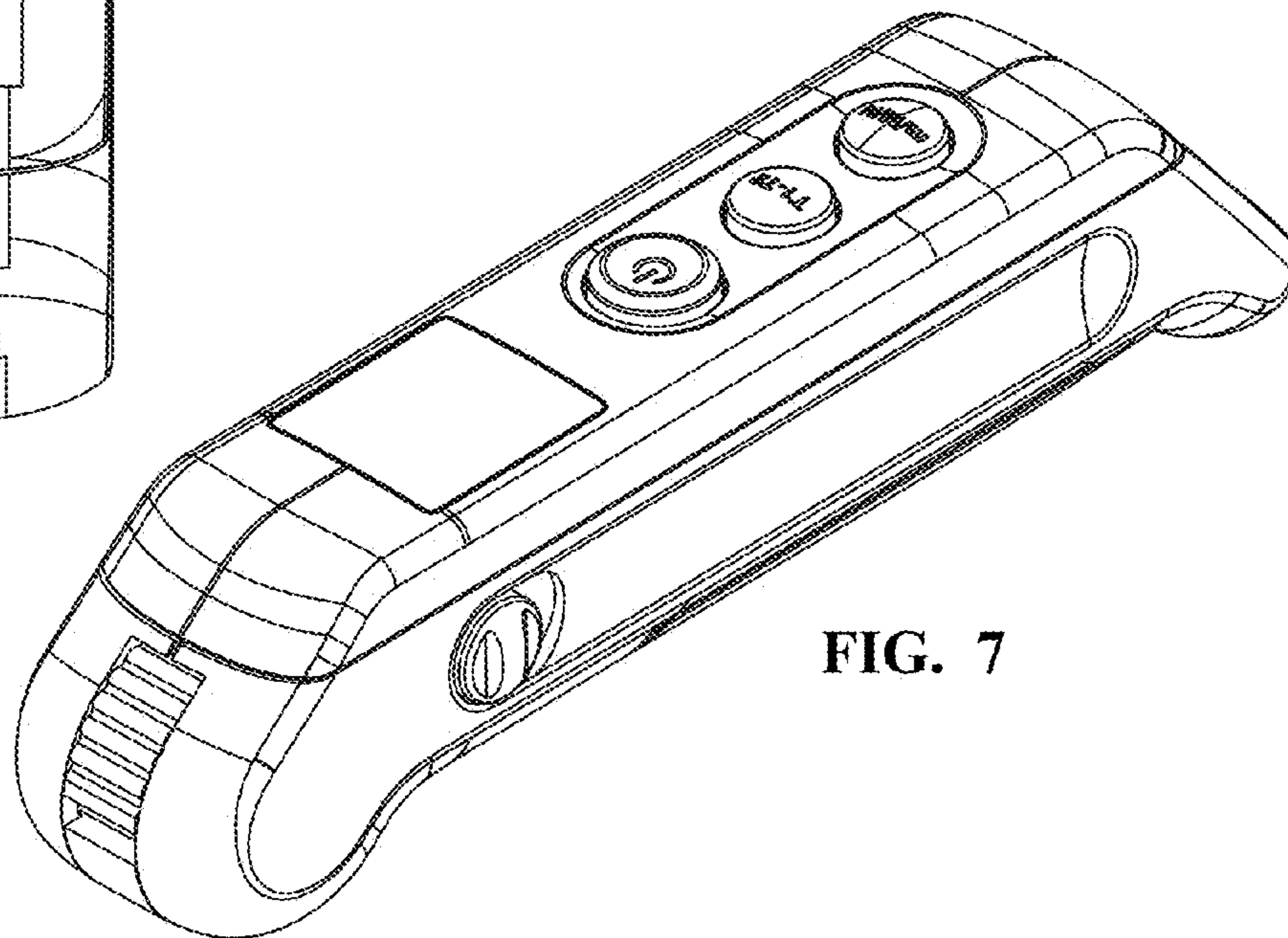


FIG. 7