



US00D700074S

(12) **United States Design Patent**
Lintner

(10) **Patent No.:** **US D700,074 S**

(45) **Date of Patent:** **** Feb. 25, 2014**

(54) **GROUND PENETRATING RADAR**

2008/0186010 A1* 8/2008 Skultety-Betz et al. 324/67
2010/0225299 A1* 9/2010 Nguyen et al. 324/67
2011/0037472 A1* 2/2011 Olsson et al. 324/326

(71) Applicant: **Hilti Aktiengesellschaft**, Schaan (LI)

* cited by examiner

(72) Inventor: **Stephan Lintner**, Salzburg (AT)

Primary Examiner — Antoine D Davis

(73) Assignee: **Hilti Aktiengesellschaft**, Schaan (LI)

(74) *Attorney, Agent, or Firm* — Crowell & Moring LLP

(**) Term: **14 Years**

(21) Appl. No.: **29/455,299**

(57) **CLAIM**

(22) Filed: **May 20, 2013**

The ornamental design for a ground penetrating radar, as shown and described.

Related U.S. Application Data

(62) Division of application No. 29/404,957, filed on Oct. 27, 2011, now Pat. No. Des. 684,871.

DESCRIPTION

(30) **Foreign Application Priority Data**

Jun. 24, 2011 (WO) DM/076 318

This application contains subject matter related to the following co-pending U.S. design patent application:

(51) **LOC (10) Cl.** **10-04**

Application Ser. No. 29/455,298, filed herewith and entitled "Ground Penetrating Radar".

(52) **U.S. Cl.**

USPC **D10/47**

FIG. 1 is a left, top, front perspective view of a ground penetrating radar according to the design;

(58) **Field of Classification Search**

USPC D10/47; 324/67, 326, 329; 343/728, 343/788, 867

FIG. 2 is a right, bottom, rear perspective view thereof;

See application file for complete search history.

FIG. 3 is a right side view thereof;

FIG. 4 is a left side view thereof;

FIG. 5 is a top view thereof;

FIG. 6 is a bottom view thereof;

FIG. 7 is a front view thereof; and,

FIG. 8 is a rear view thereof.

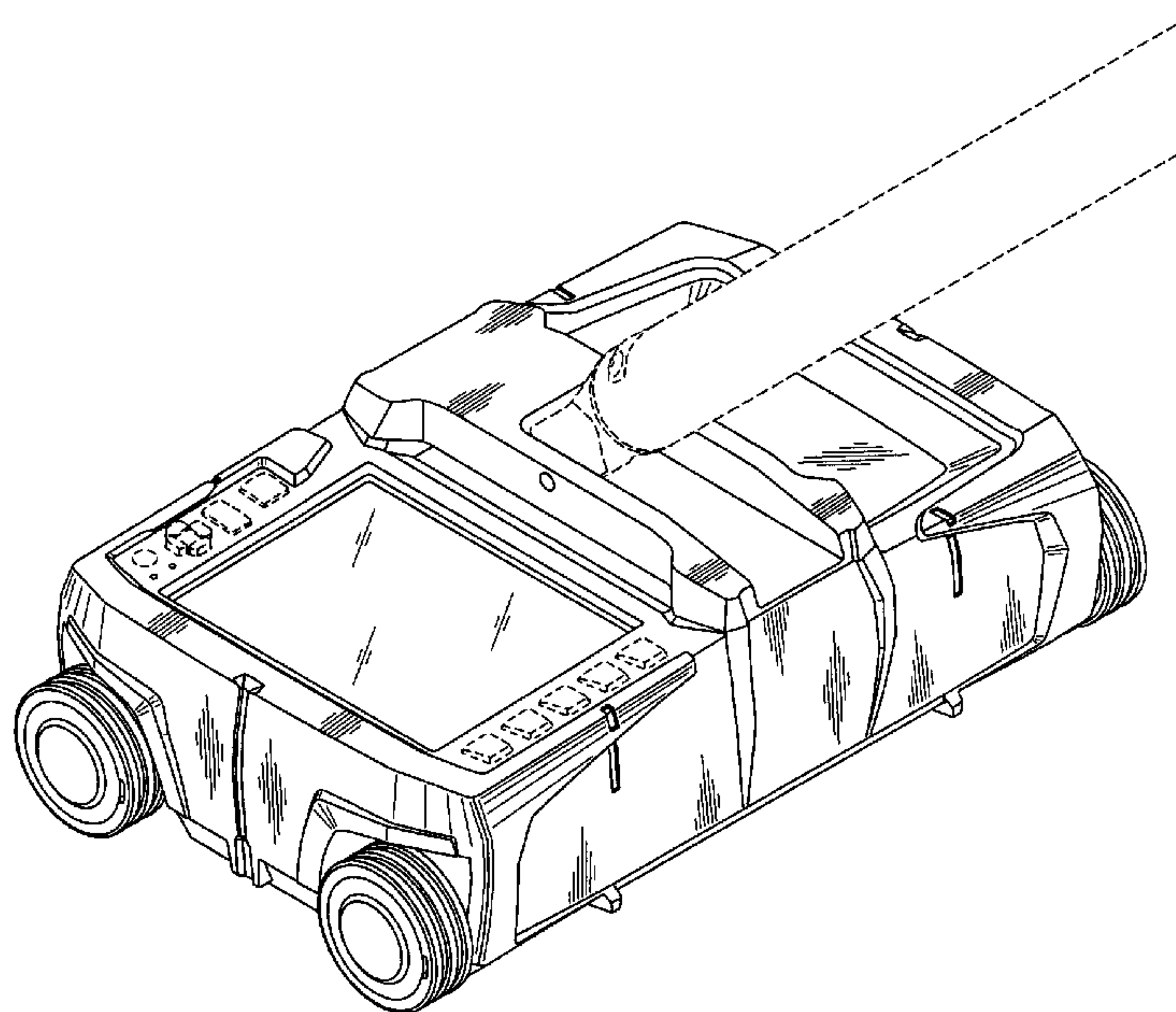
The broken lines are for illustrative purposes only and form no part of the claimed design.

(56) **References Cited**

U.S. PATENT DOCUMENTS

D291,916 S 9/1987 Davis
D311,871 S 11/1990 Duftschmid

1 Claim, 8 Drawing Sheets



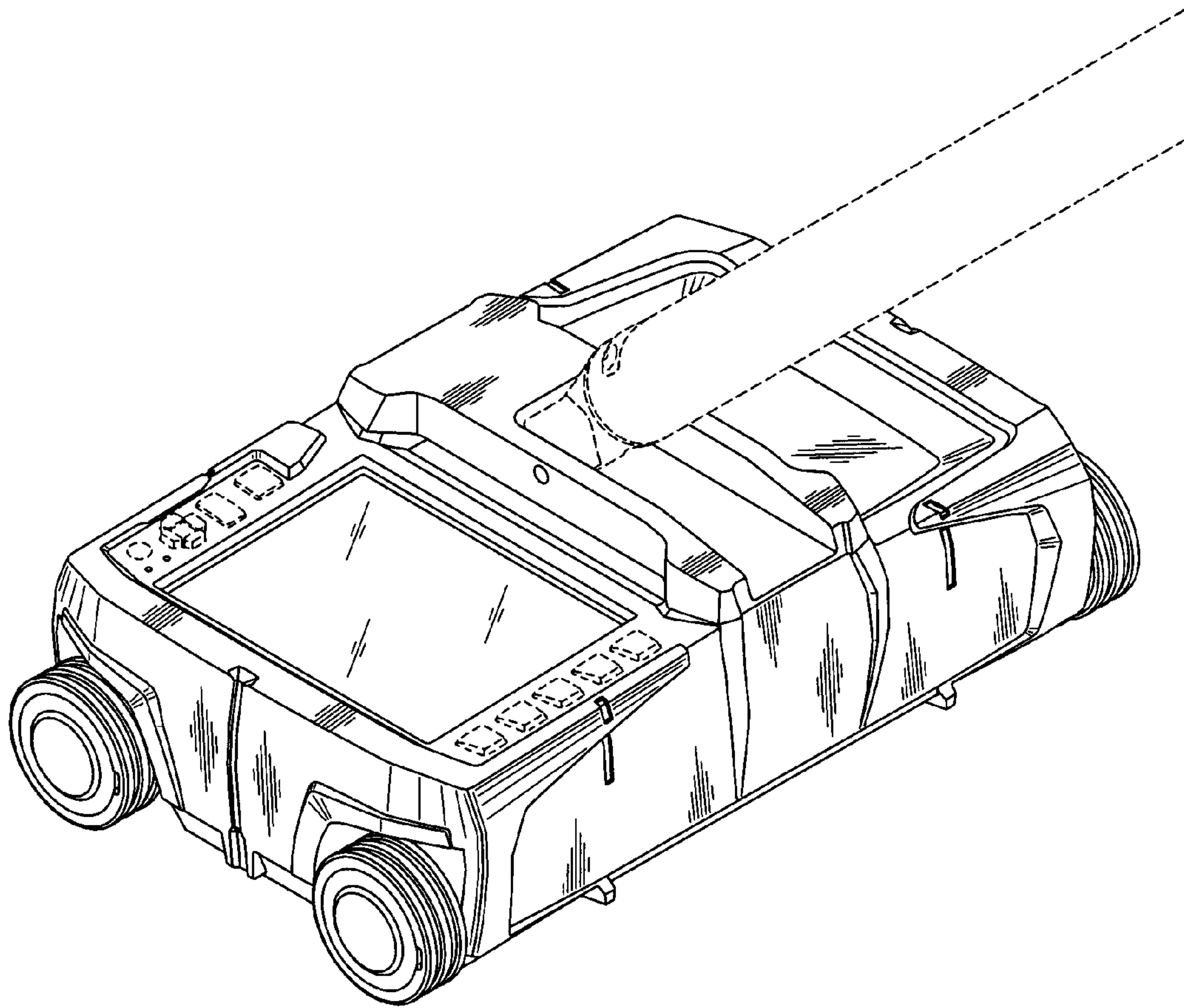


FIG. 1

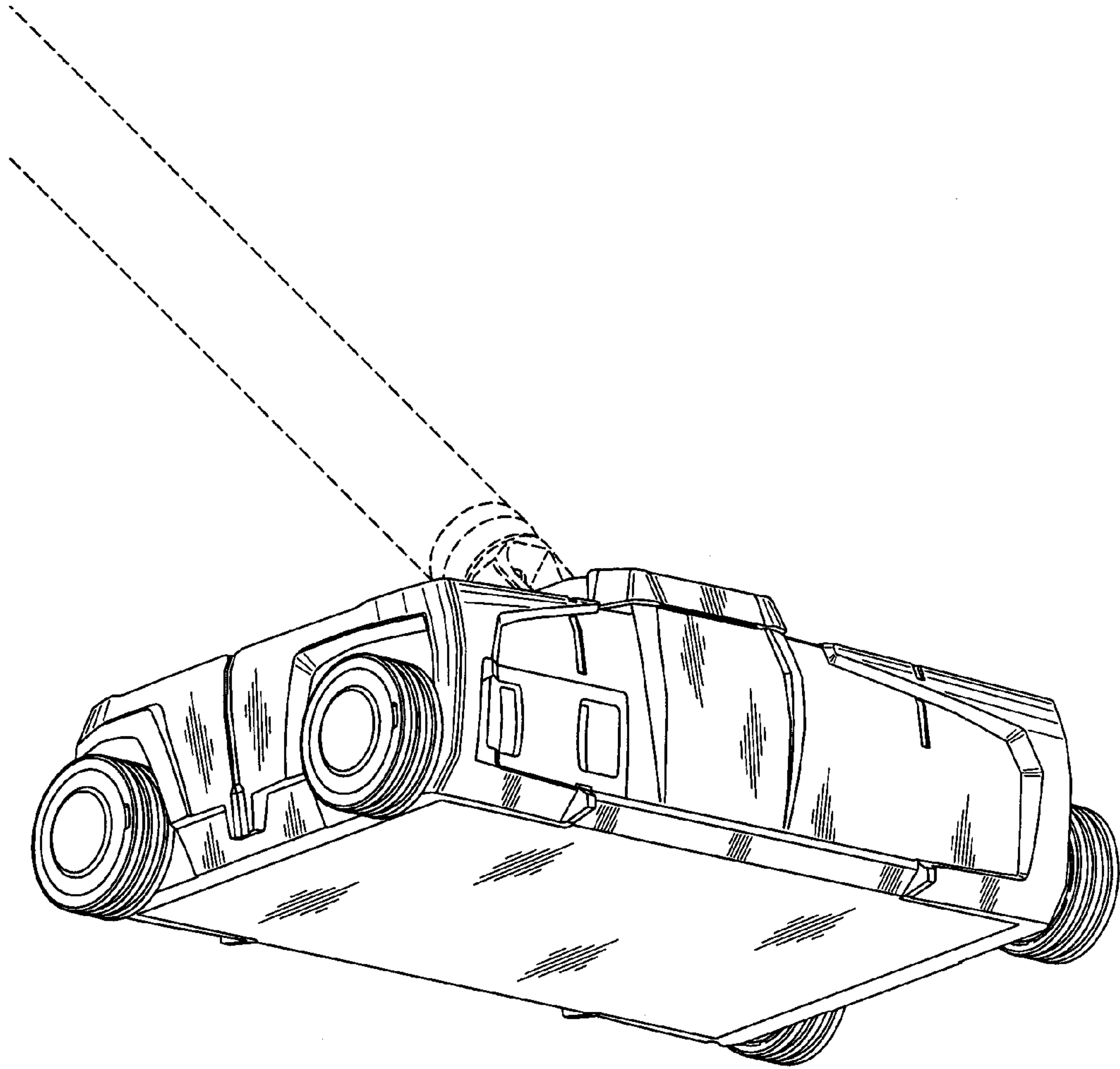


FIG. 2

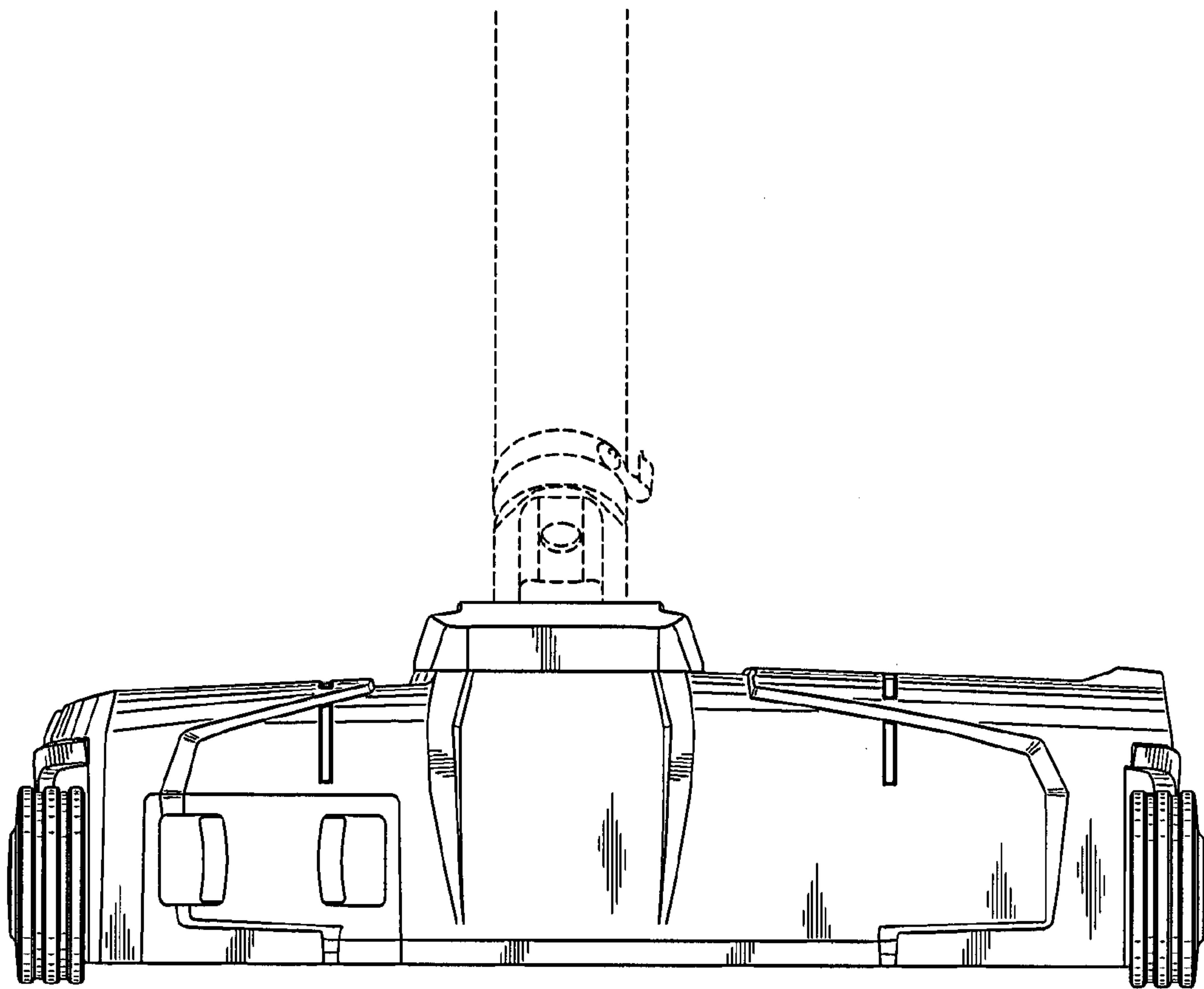


FIG. 3

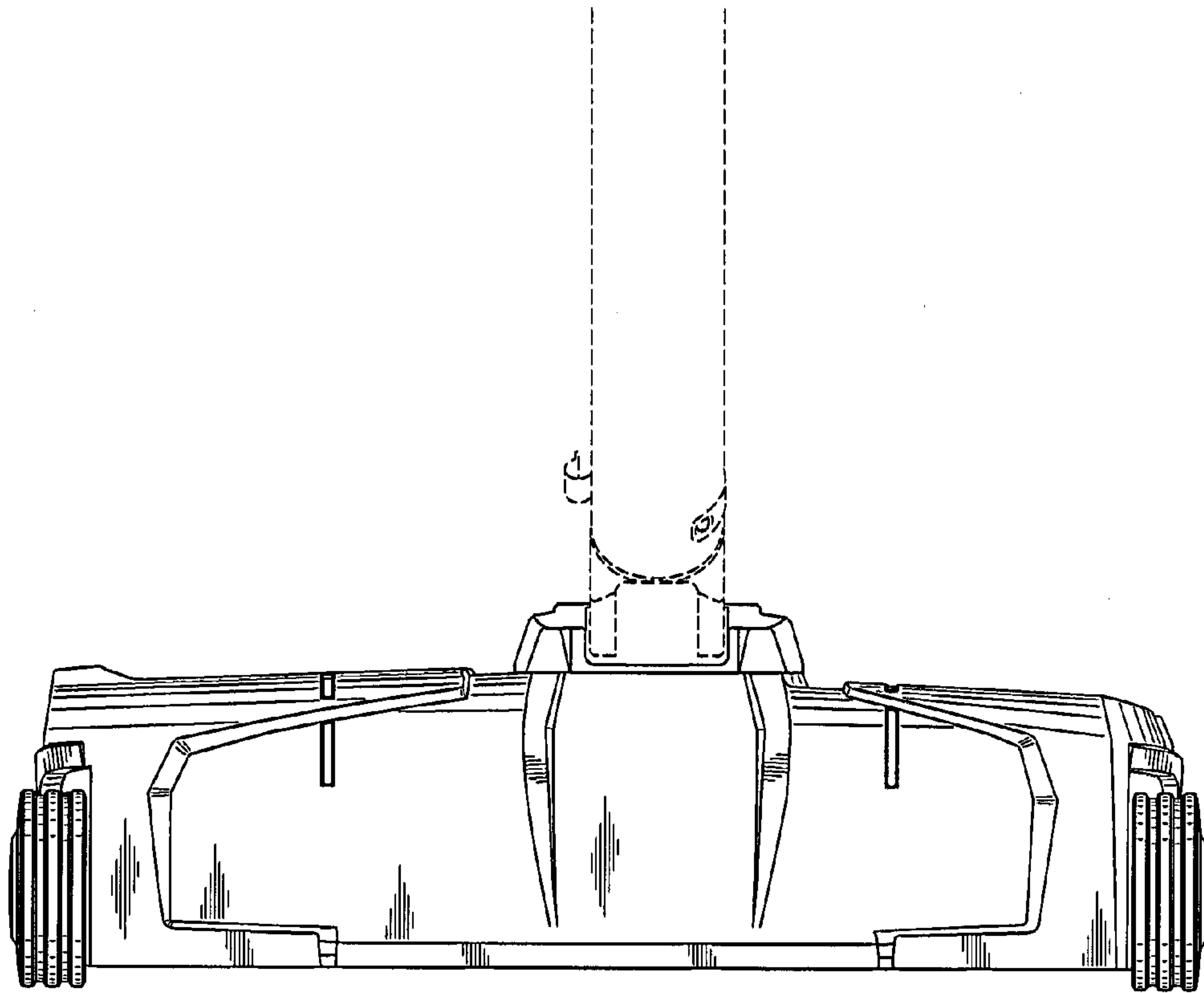


FIG. 4

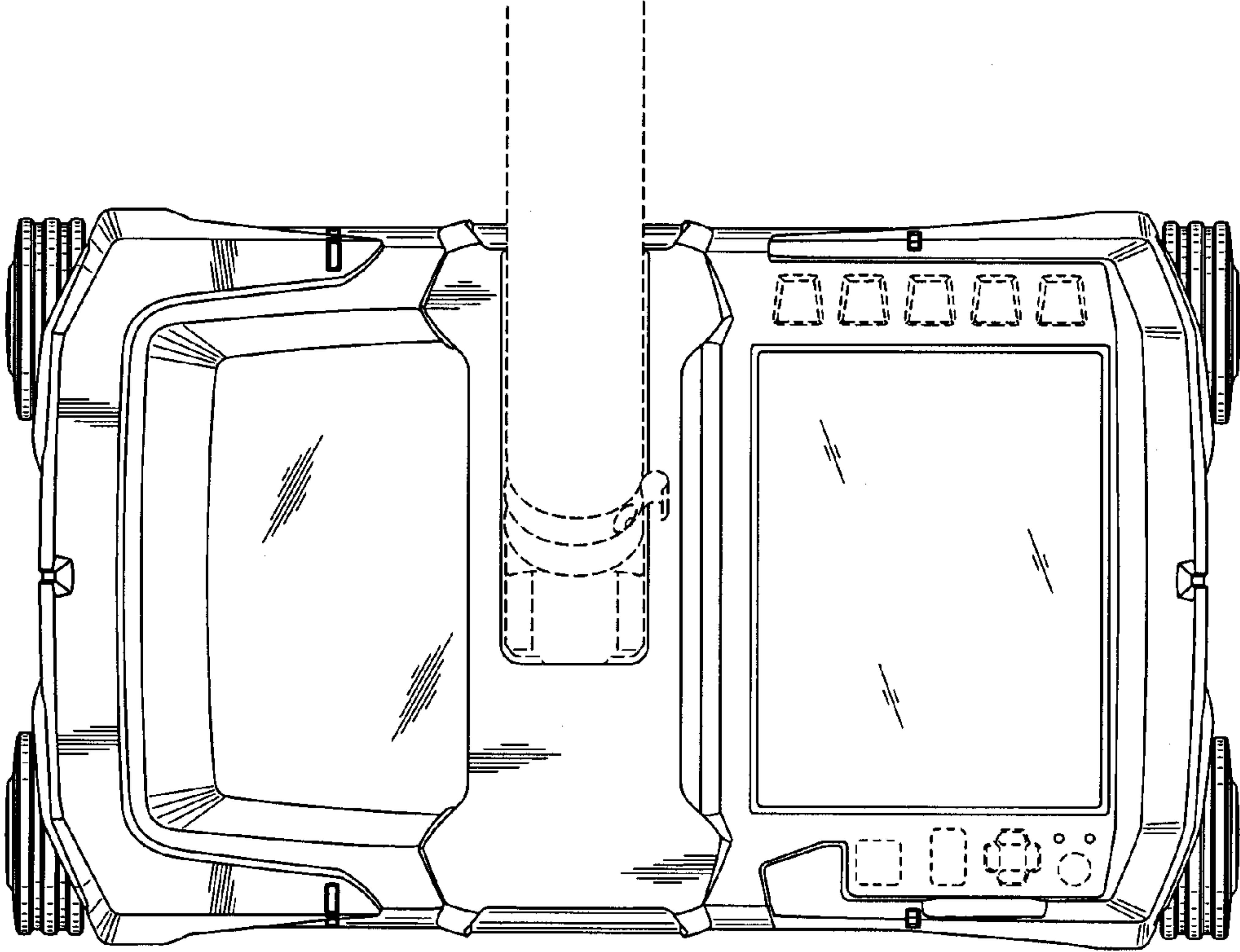


FIG. 5

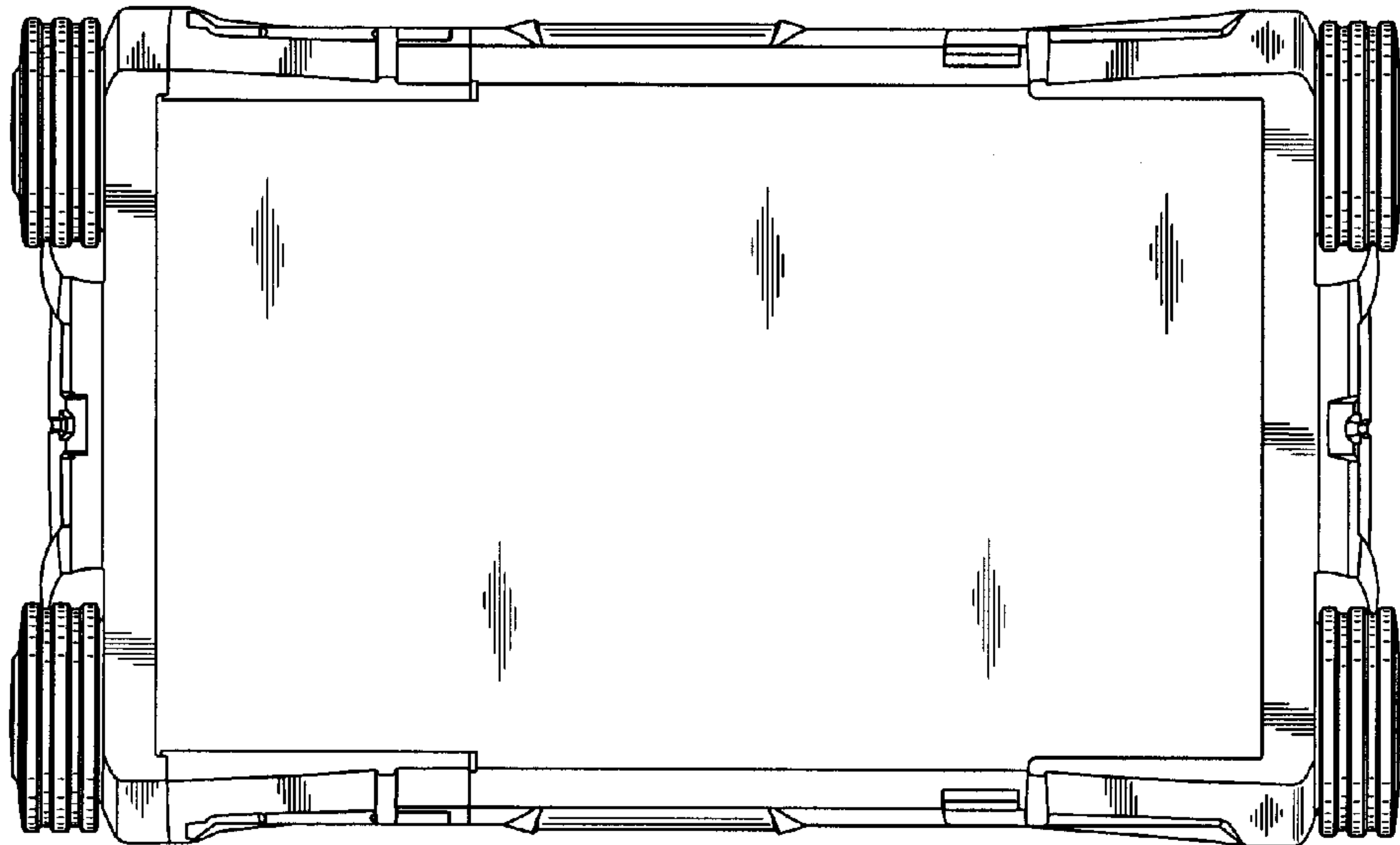


FIG. 6

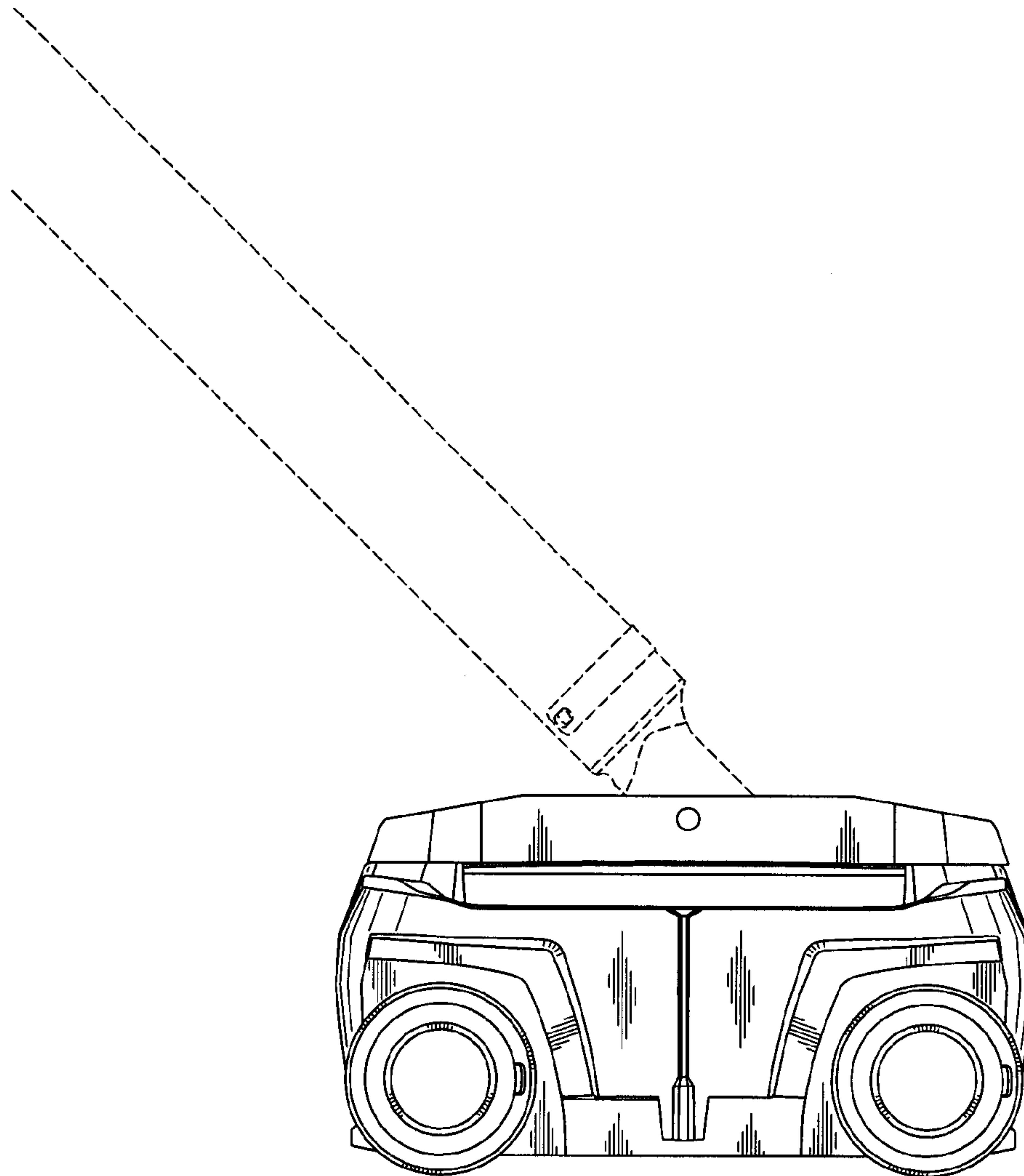


FIG. 7

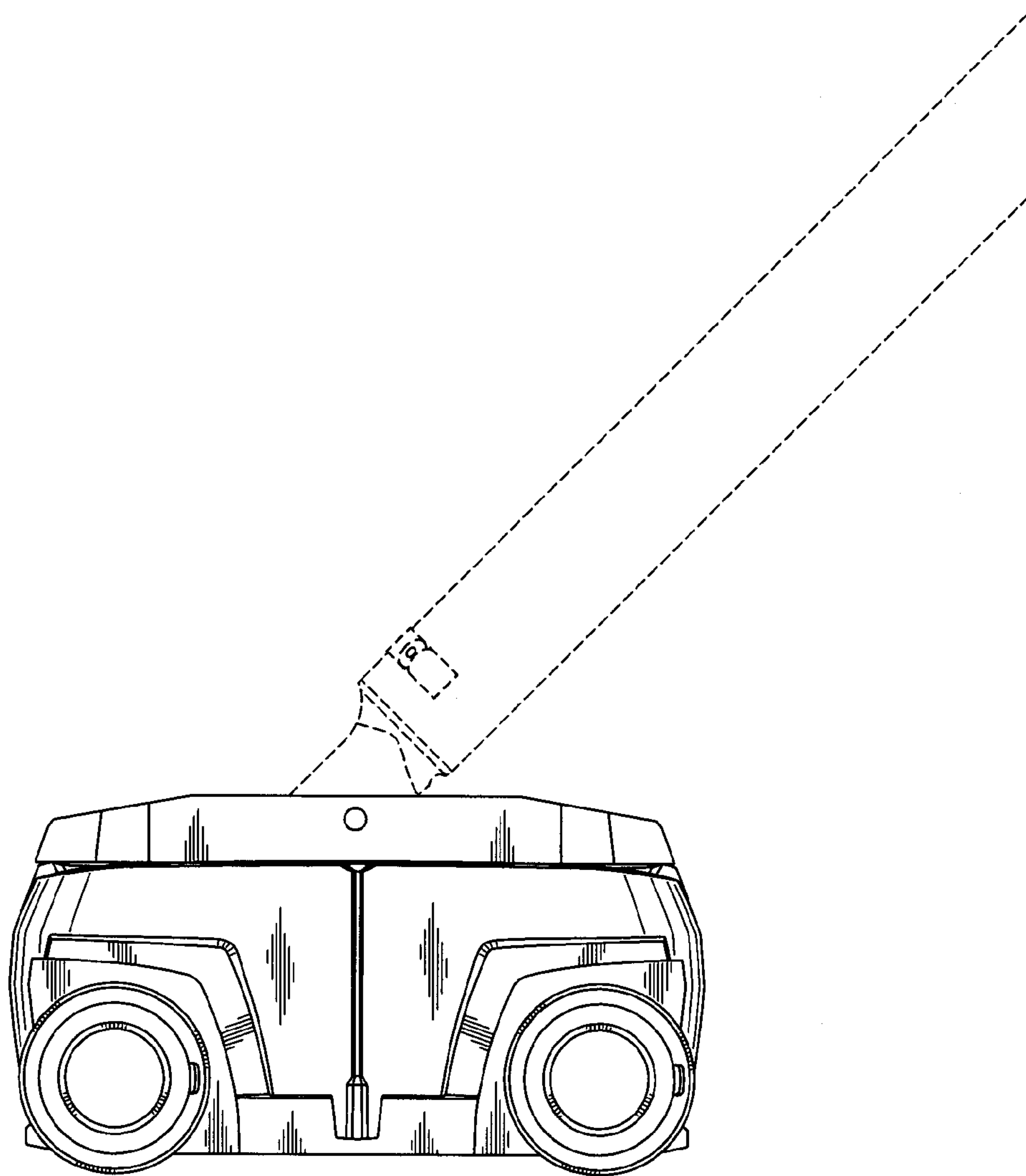


FIG. 8