

US00D700073S

(12) **United States Design Patent**  
**Lintner**

(10) **Patent No.:** **US D700,073 S**

(45) **Date of Patent:** **\*\* Feb. 25, 2014**

(54) **GROUND PENETRATING RADAR**

(71) Applicant: **Hilti Aktiengesellschaft**, Schaan (LI)

(72) Inventor: **Stephan Lintner**, Salzburg (AT)

(73) Assignee: **Hilti Aktiengesellschaft**, Schaan (LI)

(\*\*) Term: **14 Years**

(21) Appl. No.: **29/455,298**

(22) Filed: **May 20, 2013**

**Related U.S. Application Data**

(62) Division of application No. 29/404,957, filed on Oct. 27, 2011, now Pat. No. Des. 684,871.

(30) **Foreign Application Priority Data**

Jun. 24, 2011 (WO) ..... DM/076 318

(51) **LOC (10) Cl.** ..... **10-04**

(52) **U.S. Cl.**  
USPC ..... **D10/47**

(58) **Field of Classification Search**  
USPC ..... D10/47; 324/67, 326, 329; 343/728,  
343/788, 867

See application file for complete search history.

(56) **References Cited**

U.S. PATENT DOCUMENTS

|                   |         |                           |         |
|-------------------|---------|---------------------------|---------|
| D291,916 S        | 9/1987  | Davis                     |         |
| D311,871 S        | 11/1990 | Duftschmid                |         |
| 2008/0186010 A1 * | 8/2008  | Skultety-Betz et al. .... | 324/67  |
| 2010/0225299 A1 * | 9/2010  | Nguyen et al. ....        | 324/67  |
| 2011/0037472 A1 * | 2/2011  | Olsson et al. ....        | 324/326 |

\* cited by examiner

*Primary Examiner* — Antoine D Davis

(74) *Attorney, Agent, or Firm* — Crowell & Moring LLP

(57) **CLAIM**

The ornamental design for a ground penetrating radar, as shown and described.

**DESCRIPTION**

This application contains subject matter related to the following co-pending U.S. design patent application: Application Ser. No. 29/455,299, filed herewith and entitled "Ground Penetrating Radar".

FIG. 1 is a left, top, front perspective view of a ground penetrating radar according to the design;

FIG. 2 is a right, bottom, rear perspective view thereof;

FIG. 3 is a right side view thereof;

FIG. 4 is a left side view thereof;

FIG. 5 is a top view thereof;

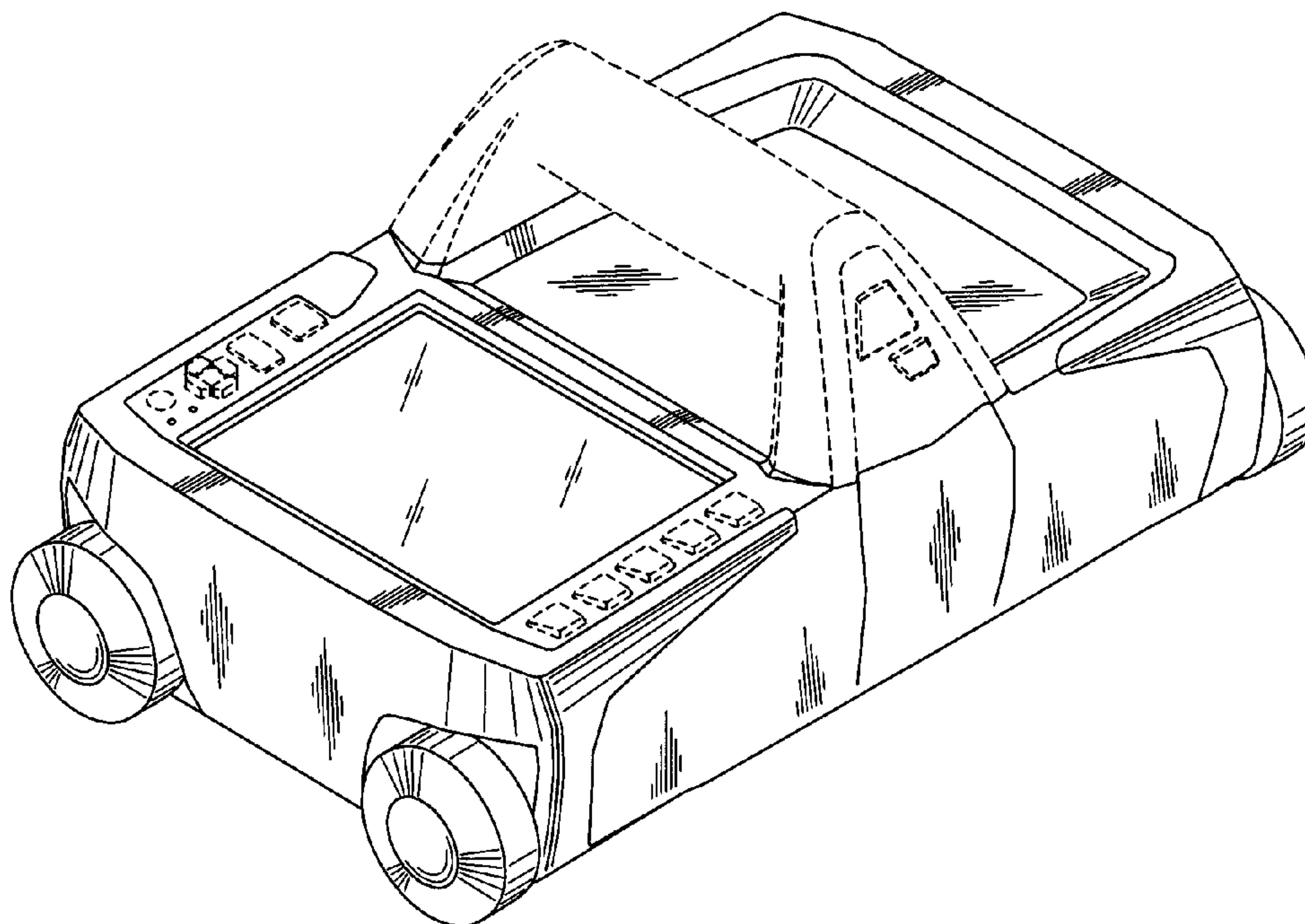
FIG. 6 is a bottom view thereof;

FIG. 7 is a front view thereof; and,

FIG. 8 is a rear view thereof.

The broken lines are for illustrative purposes only and form no part of the claimed design.

**1 Claim, 8 Drawing Sheets**



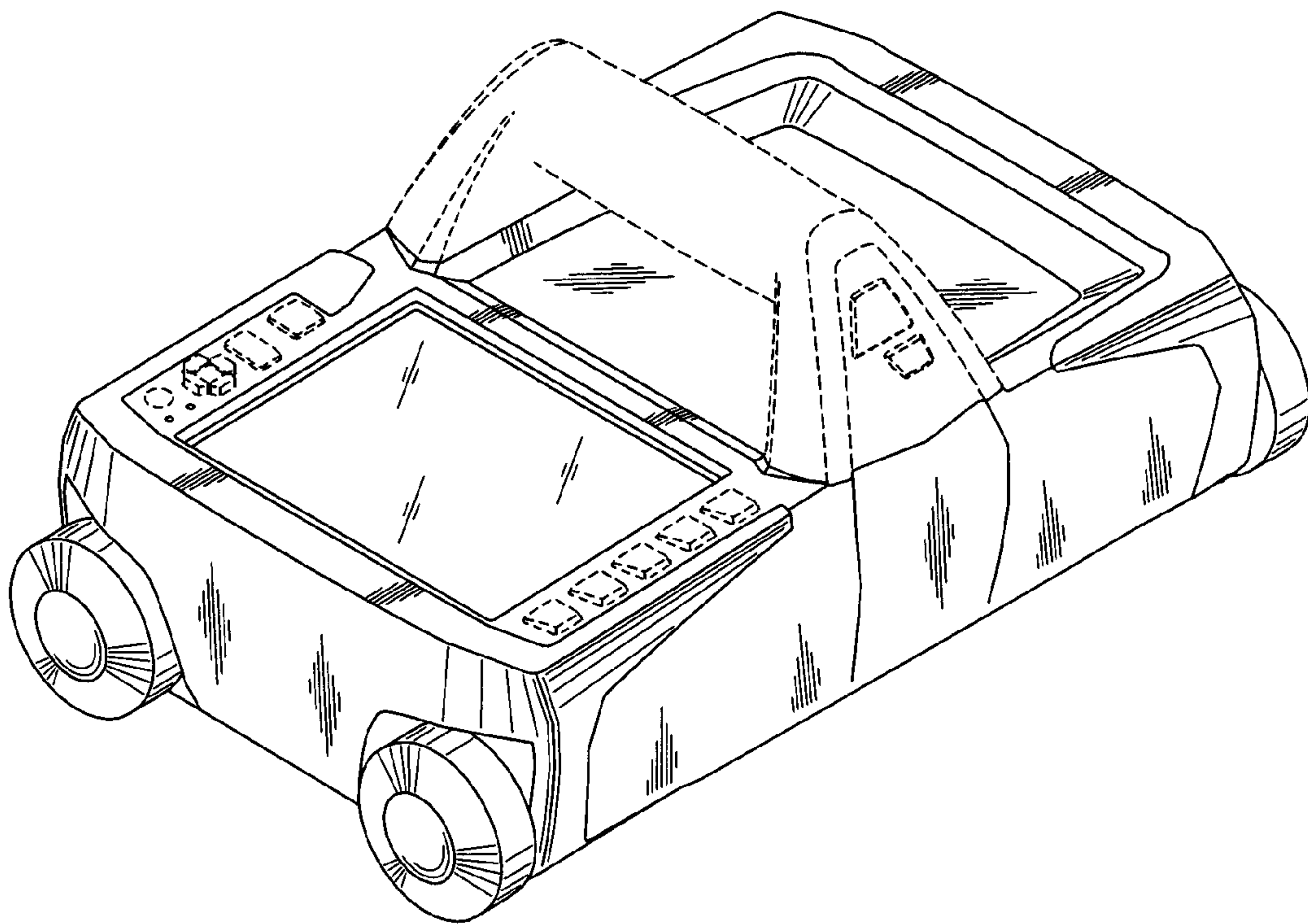


FIG. 1

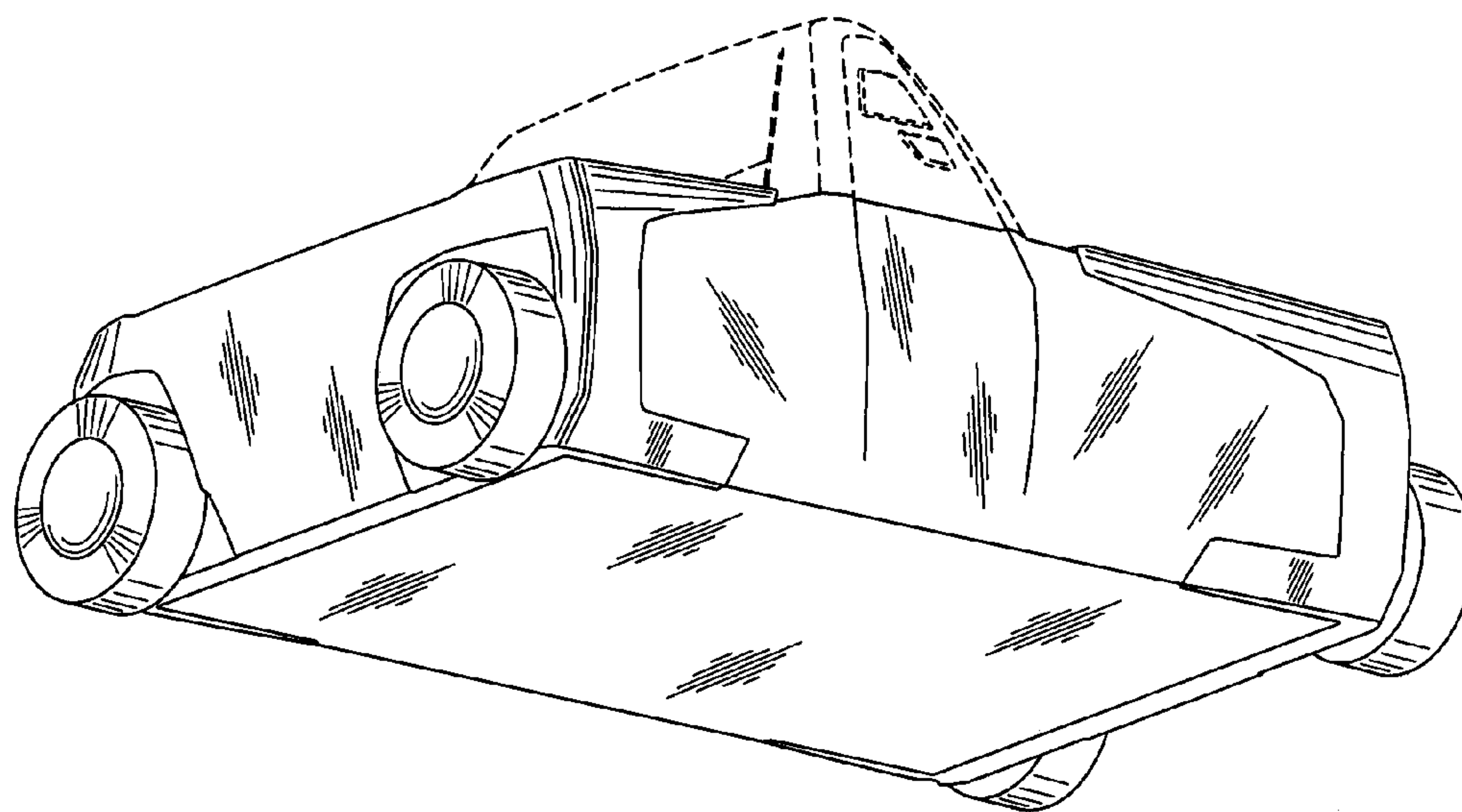


FIG. 2

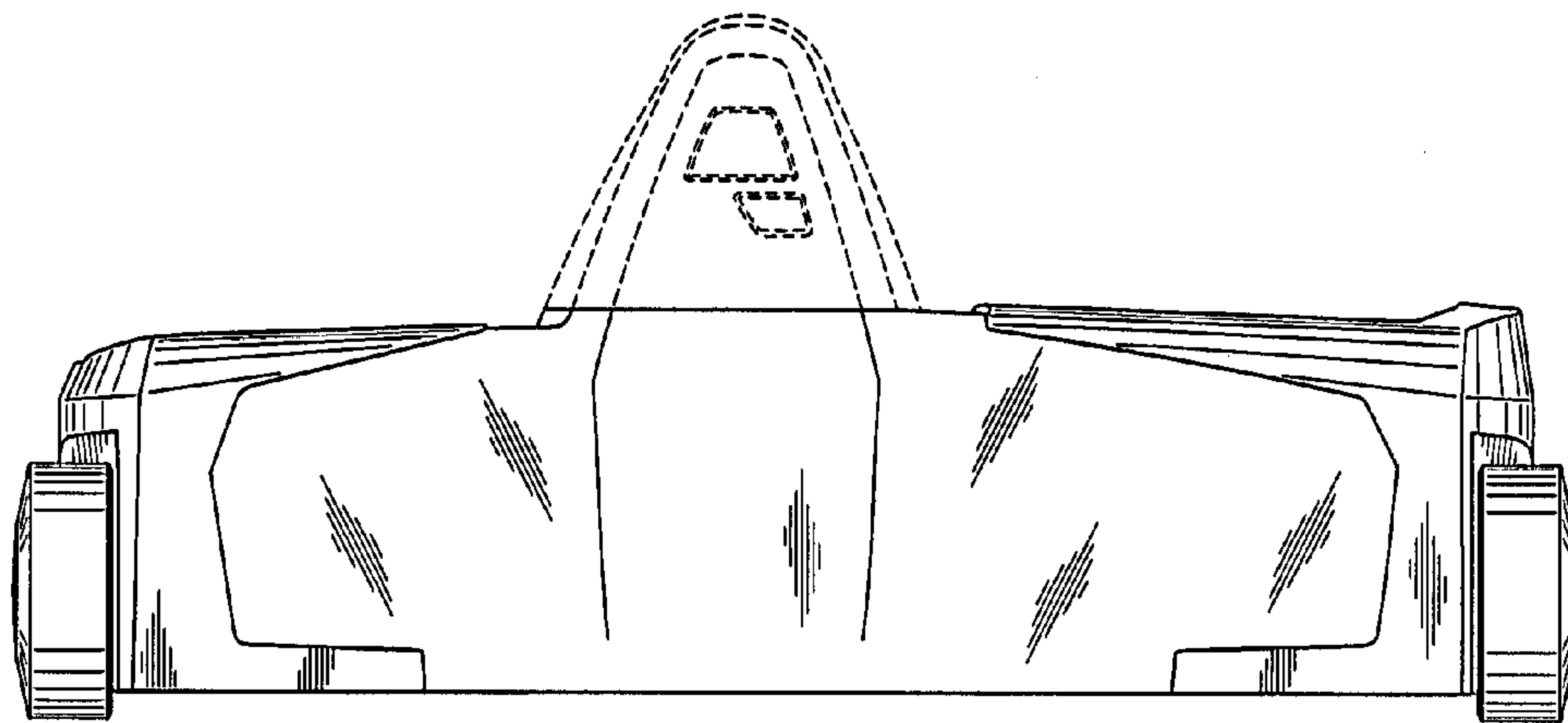


FIG. 3

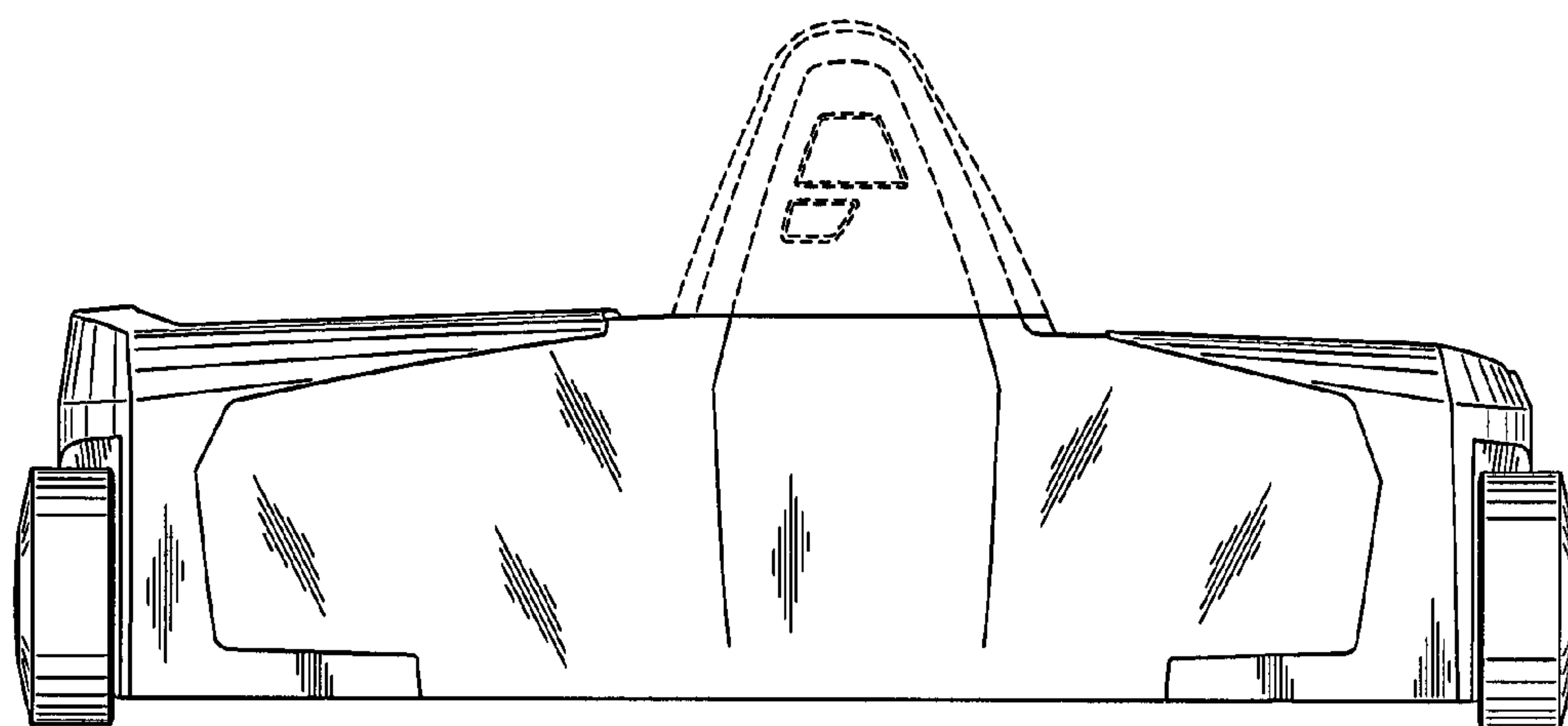


FIG. 4

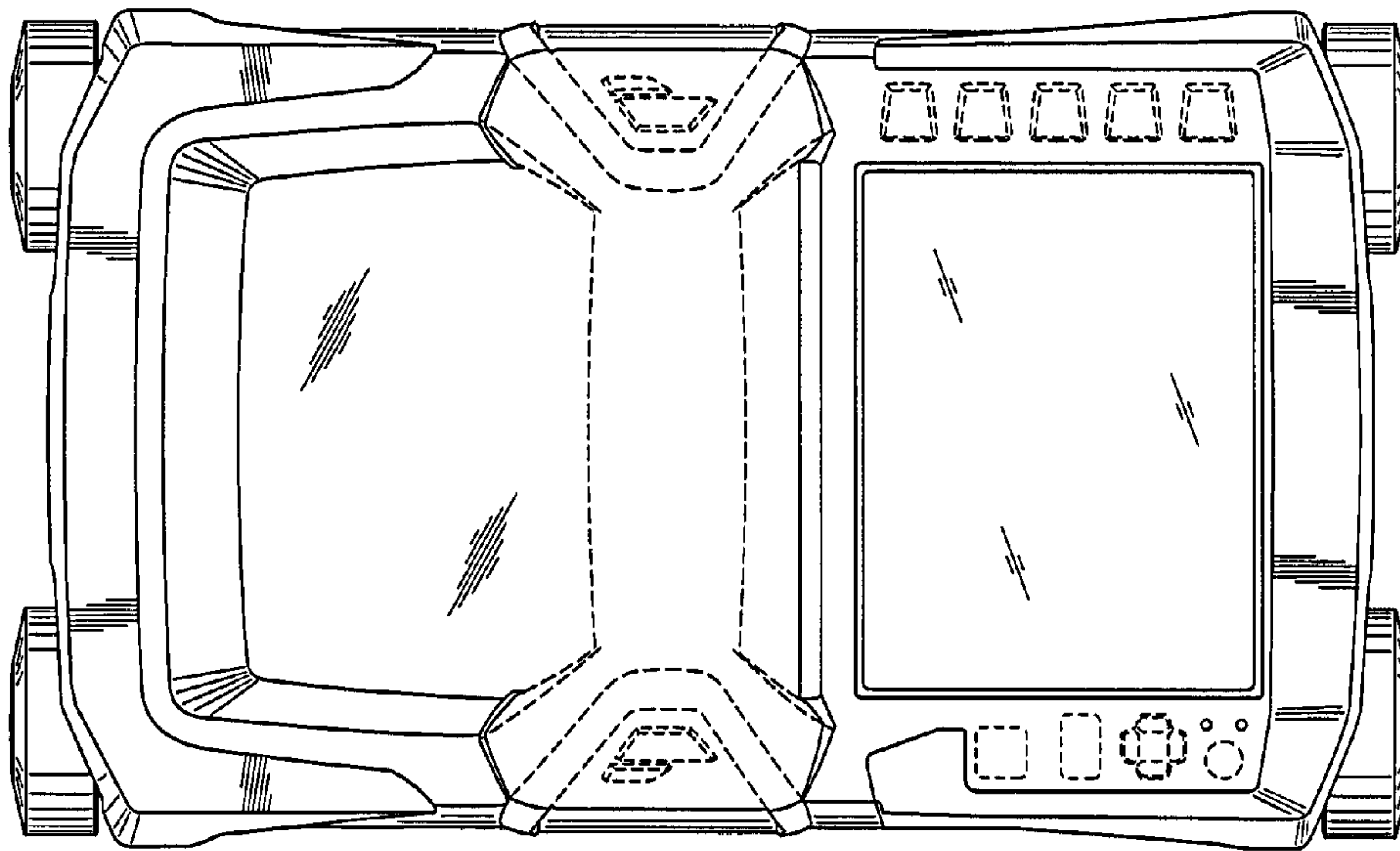


FIG. 5



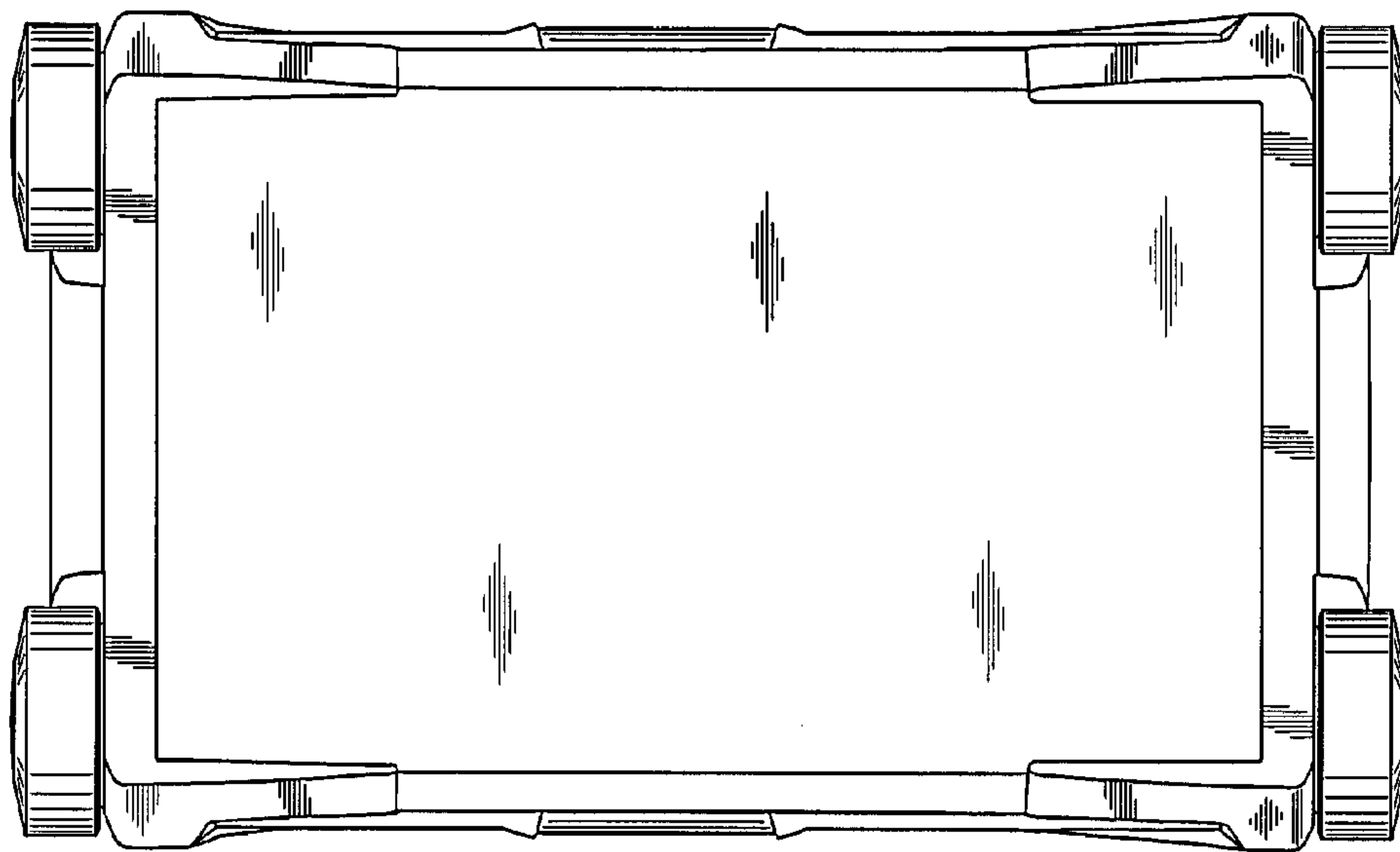


FIG. 6

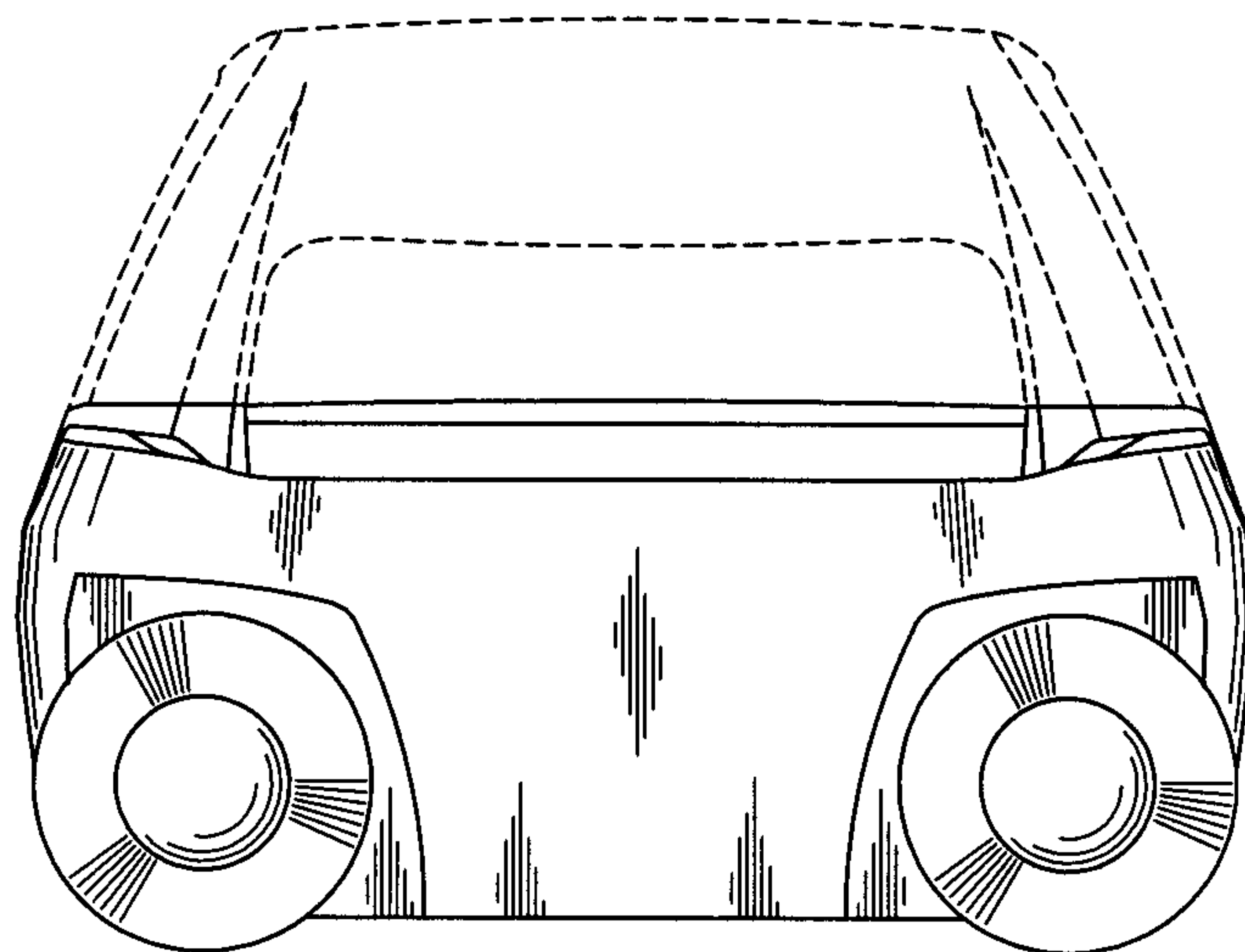


FIG. 7



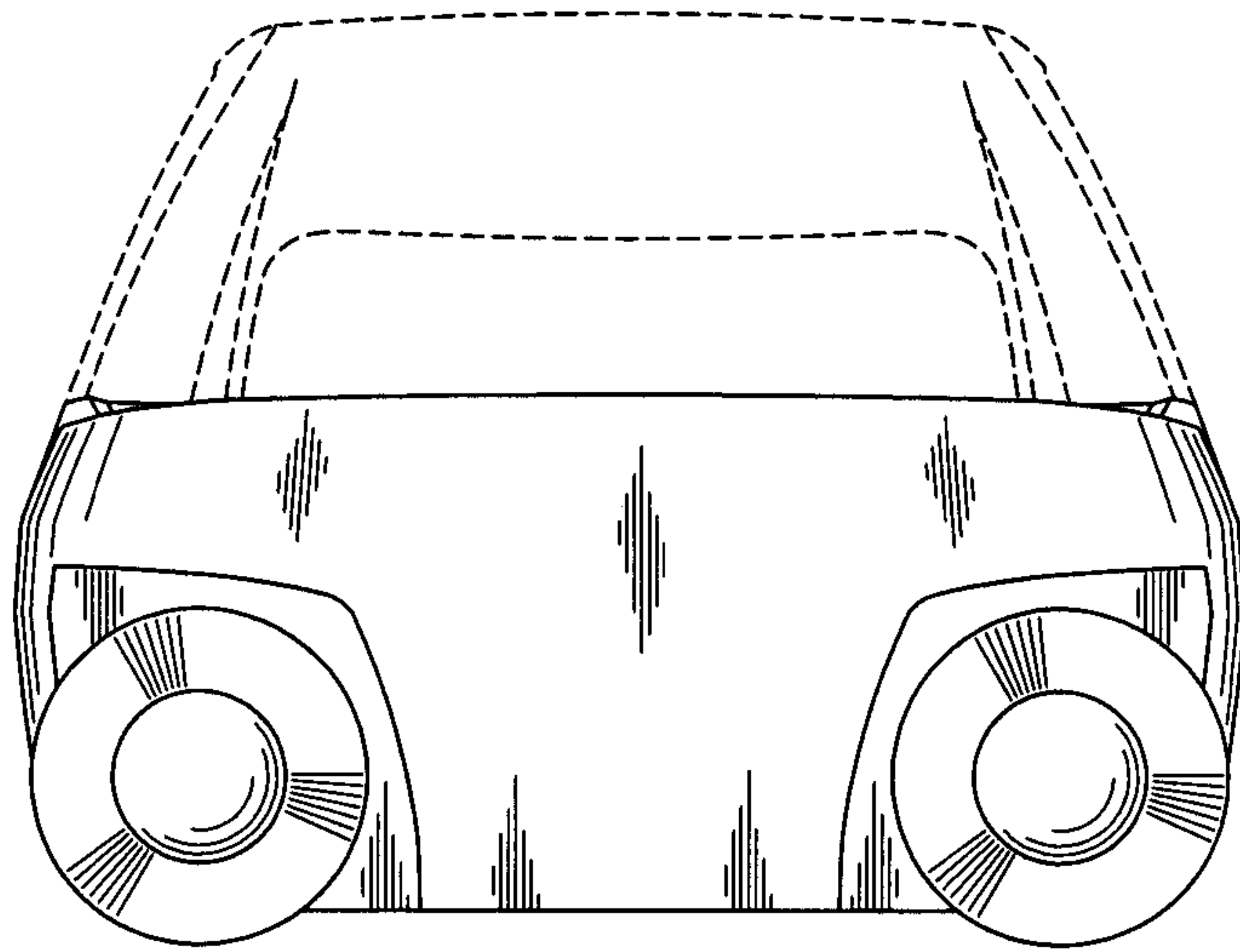


FIG. 8