



US00D700072S

(12) **United States Design Patent**
Arellano

(10) **Patent No.:** **US D700,072 S**

(45) **Date of Patent:** **** Feb. 25, 2014**

(54) **WATCH CASE**

(75) **Inventor:** **Alphonse Arellano**, Lausanne (CH)

(73) **Assignee:** **Swatch Ltd.**, Biel/Bienne (CH)

(**) **Term:** **14 Years**

(21) **Appl. No.:** **29/417,006**

(22) **Filed:** **Mar. 29, 2012**

(30) **Foreign Application Priority Data**

Oct. 5, 2011 (WO) DM/076 901

(51) **LOC (10) Cl.** **10-02**

(52) **U.S. Cl.**
USPC **D10/38**

(58) **Field of Classification Search**
USPC D10/30-39; 368/276, 281, 282
See application file for complete search history.

(56) **References Cited**

U.S. PATENT DOCUMENTS

2,361,563	A *	10/1944	Pellaton	368/80
D357,421	S *	4/1995	Tsukada	D10/39
5,455,808	A *	10/1995	Grupp et al.	368/82
5,473,580	A *	12/1995	Gilomen et al.	368/28
5,668,781	A *	9/1997	Jeannet et al.	368/28
5,696,741	A *	12/1997	Nussbaum	368/281
6,356,512	B1 *	3/2002	Martin et al.	368/10
D457,818	S *	5/2002	Avranches	D10/39
D476,905	S *	7/2003	El Kadiri	D10/30
D476,906	S *	7/2003	Nussbaum	D10/30
D477,234	S *	7/2003	El Kadiri	D10/30
D477,235	S *	7/2003	El Kadiri	D10/30

6,590,835	B2 *	7/2003	Farine et al.	368/10
6,672,758	B2 *	1/2004	Ehrsam et al.	368/190
6,714,485	B2 *	3/2004	Albisetti et al.	368/27
6,809,993	B1 *	10/2004	Muller et al.	368/242
D502,409	S *	3/2005	Figueiredo	D10/30
6,874,931	B2 *	4/2005	Noirjean et al.	368/282
D537,740	S *	3/2007	Grosjean	D10/38
D559,125	S *	1/2008	Figueiredo	D10/38
D559,126	S *	1/2008	Avranches	D10/38
D561,049	S *	2/2008	Figueiredo	D10/38
D568,176	S *	5/2008	Monachon	D10/32
D634,650	S *	3/2011	Avranches	D10/38
D636,685	S *	4/2011	Avranches	D10/38
D668,162	S *	10/2012	Inoue	D10/39
D668,557	S *	10/2012	Goto	D10/32

* cited by examiner

Primary Examiner — Lucy Lieberman

(74) *Attorney, Agent, or Firm* — Donald J. Ranft; Collen IP

(57) **CLAIM**

The ornamental design for a watch case, as shown and described.

DESCRIPTION

FIG. 1 is a front perspective view of a watch case showing our new design;

FIG. 2 is a right side view thereof;

FIG. 3 is a left side view thereof;

FIG. 4 is a bottom view thereof;

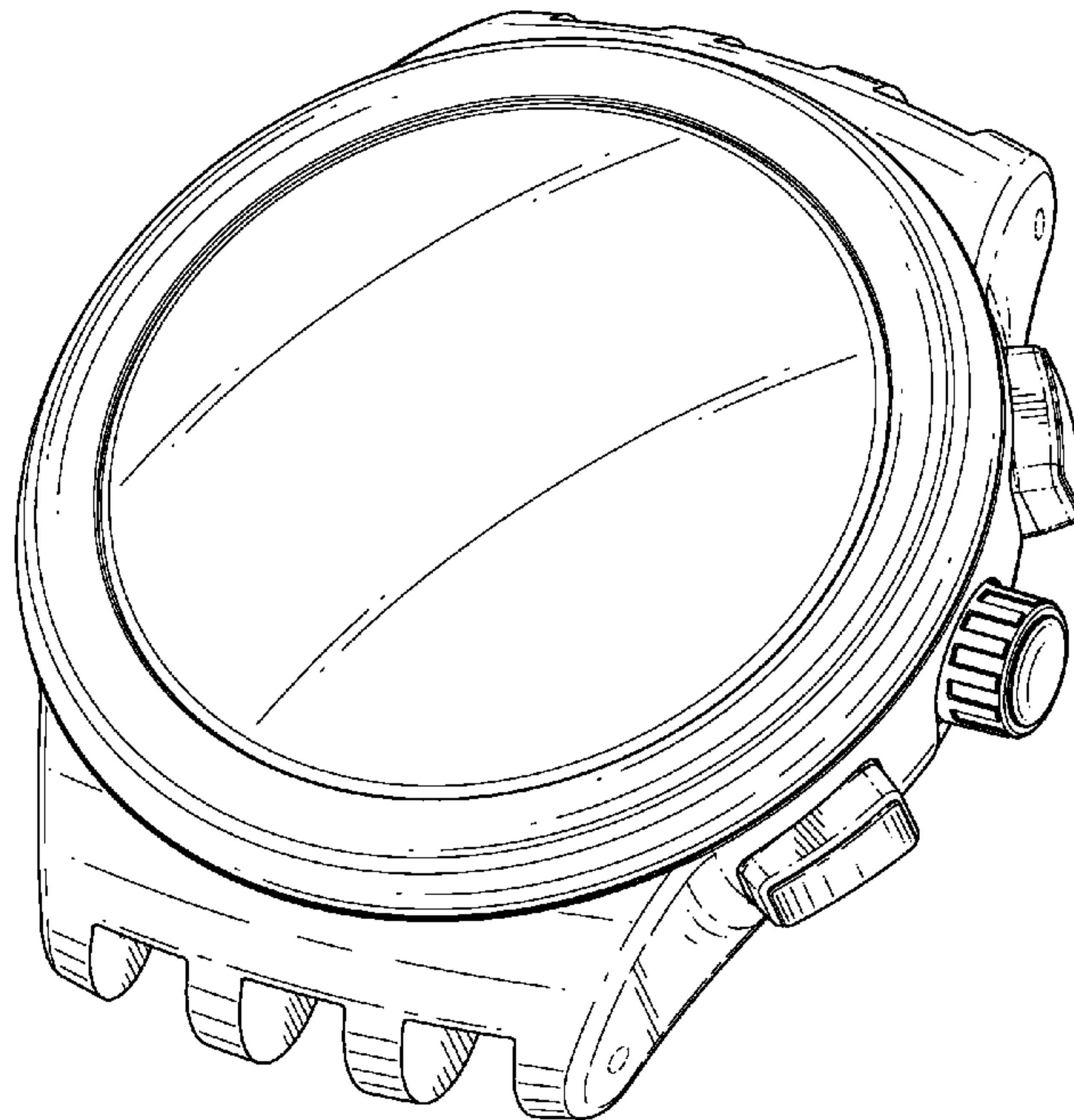
FIG. 5 is a top view thereof;

FIG. 6 is a front view thereof; and,

FIG. 7 is a rear view thereof.

The portions of the watch case shown in broken lines form no part of the claimed design.

1 Claim, 5 Drawing Sheets



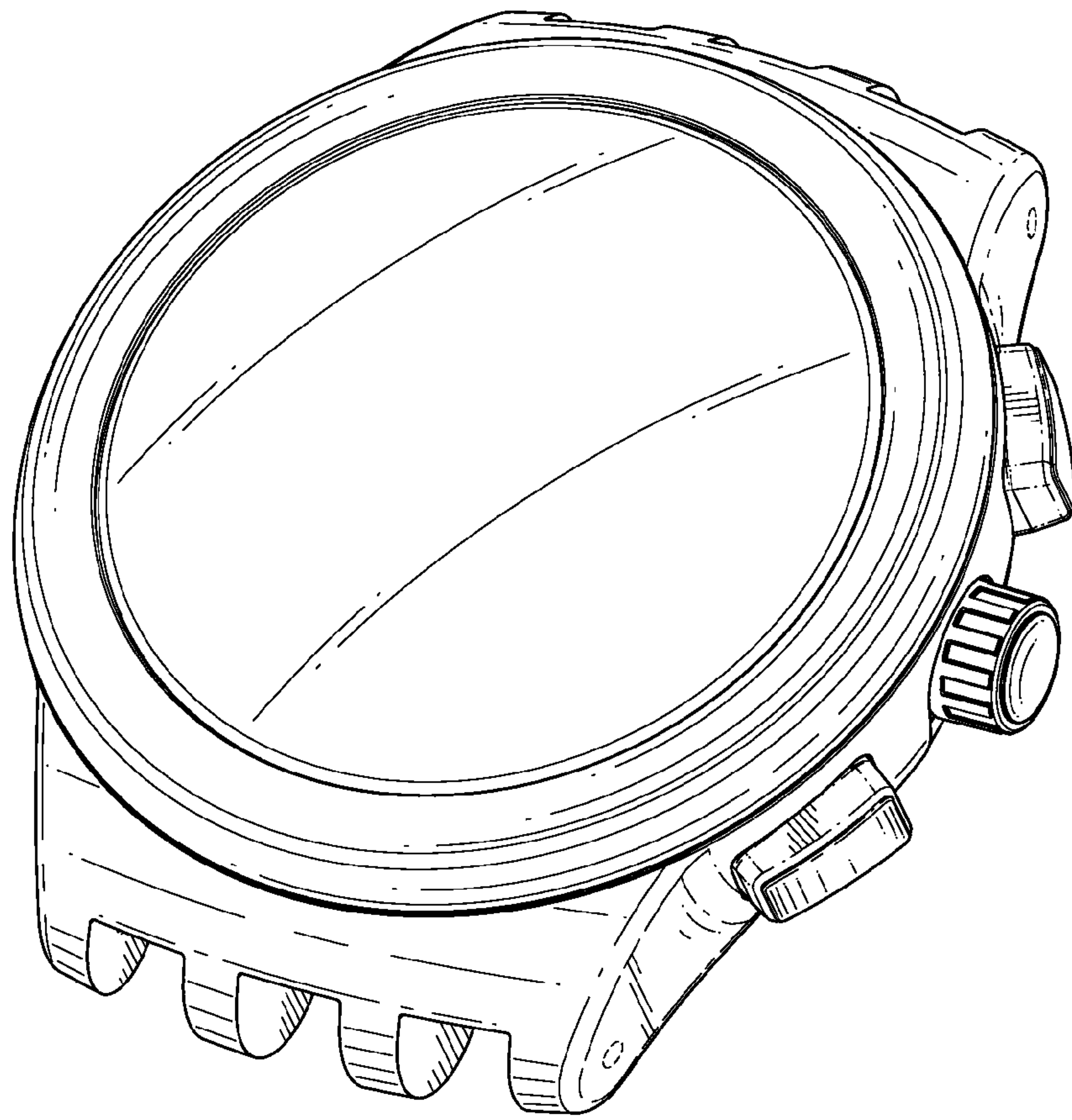


FIG. 1

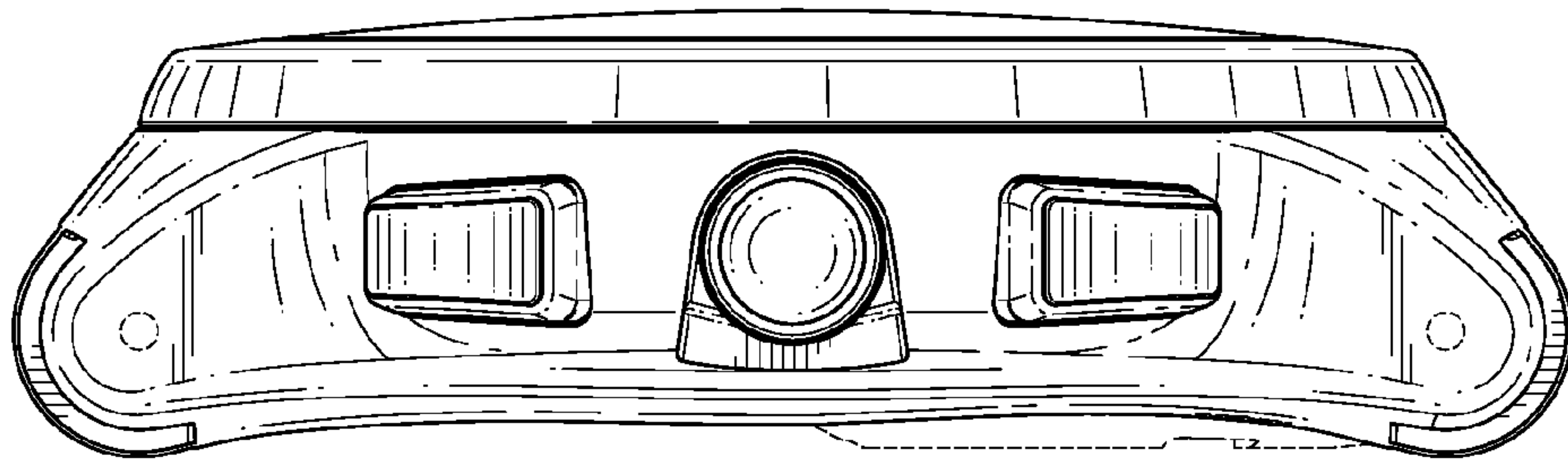


FIG. 2

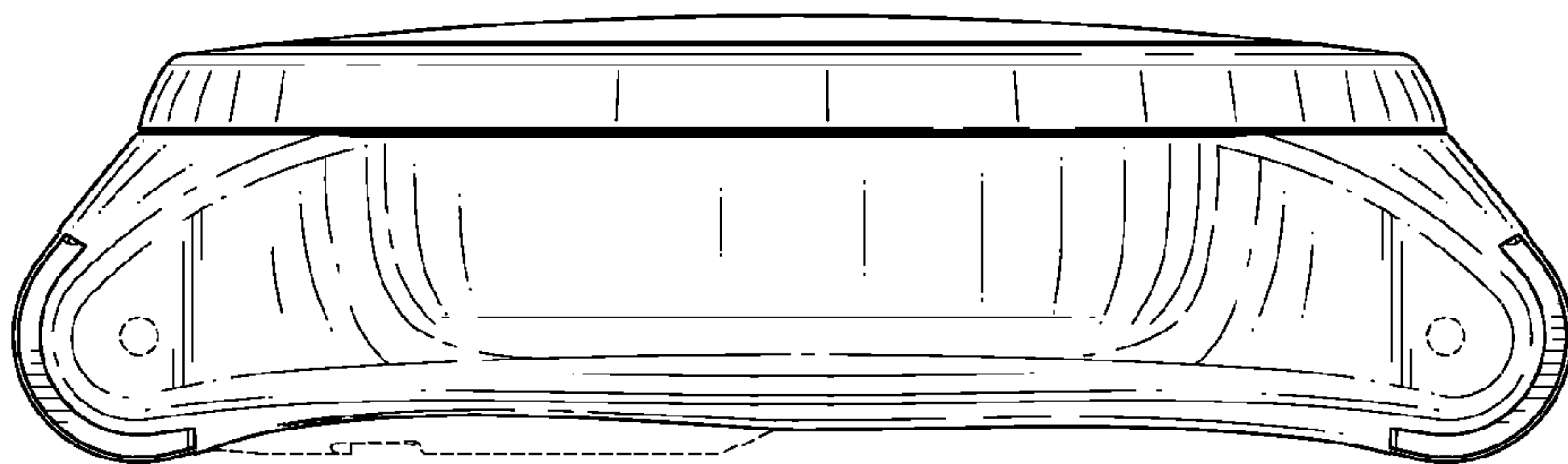


FIG. 3

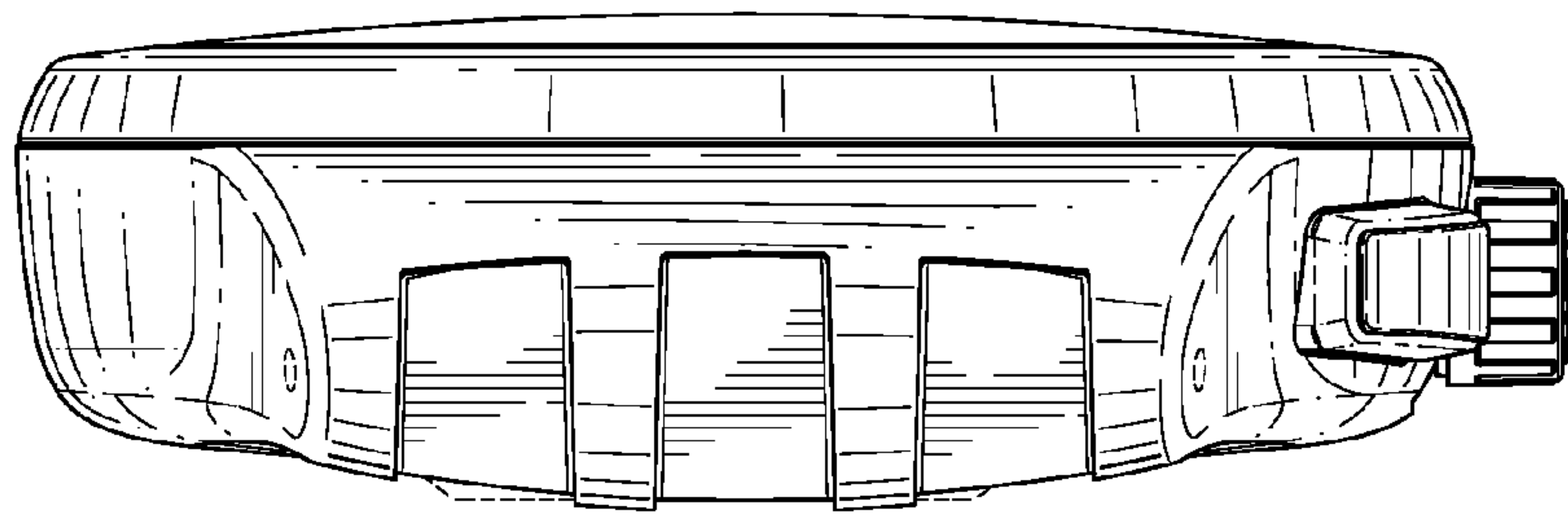


FIG. 4

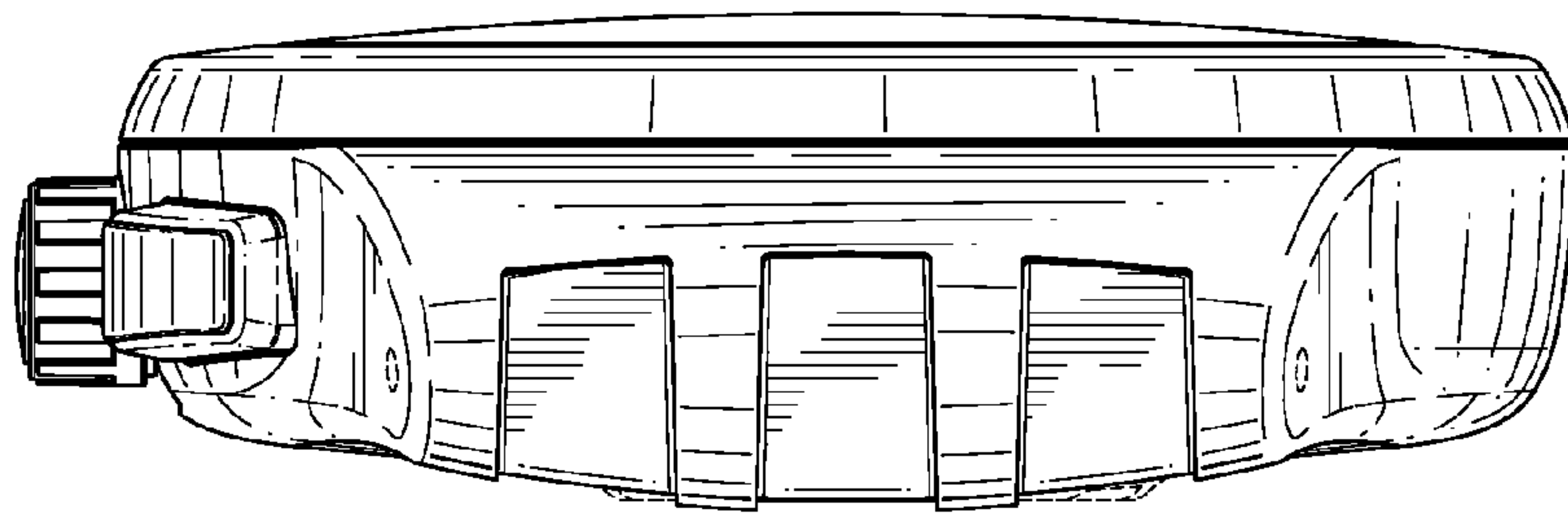


FIG. 5

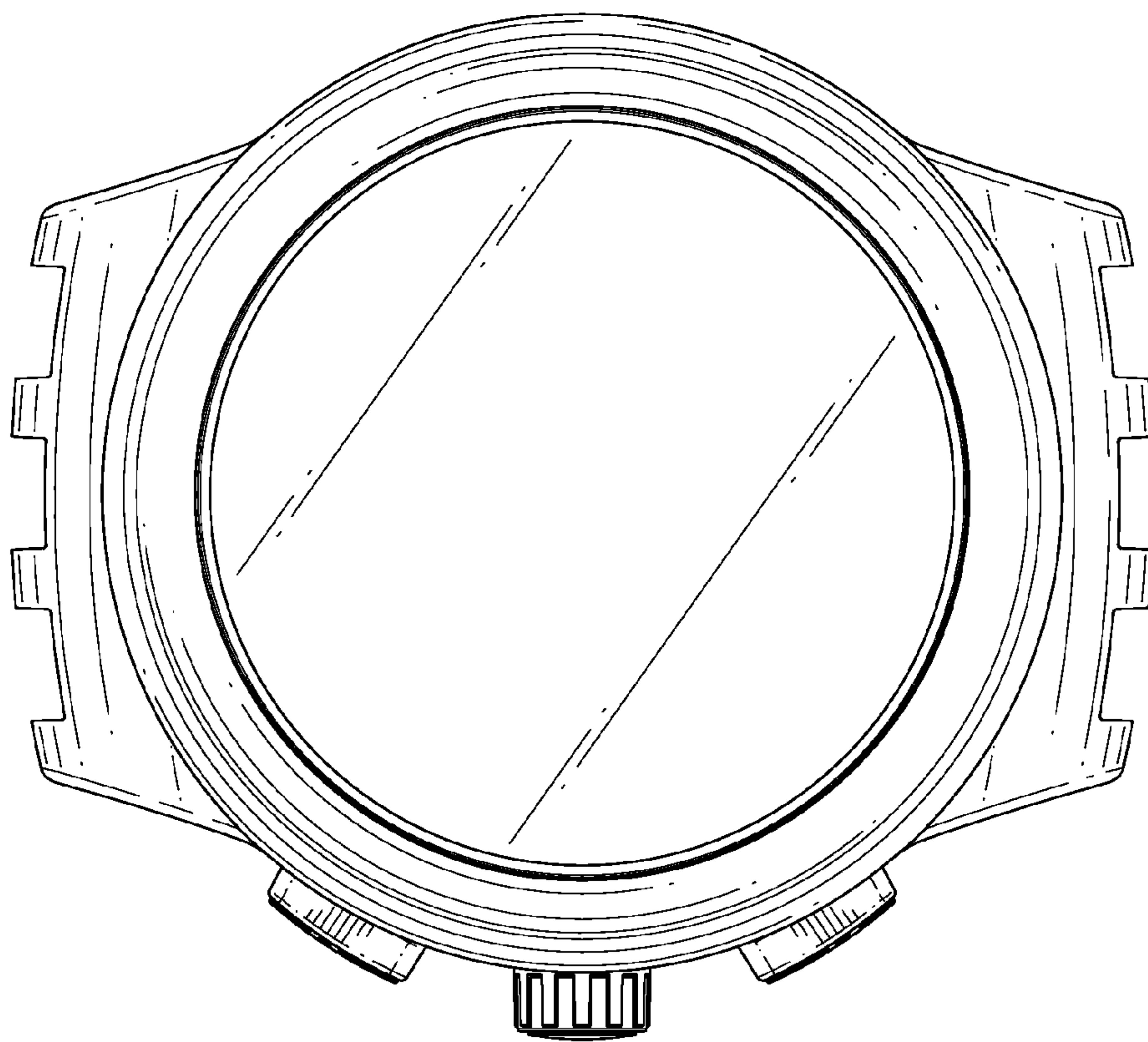


FIG. 6

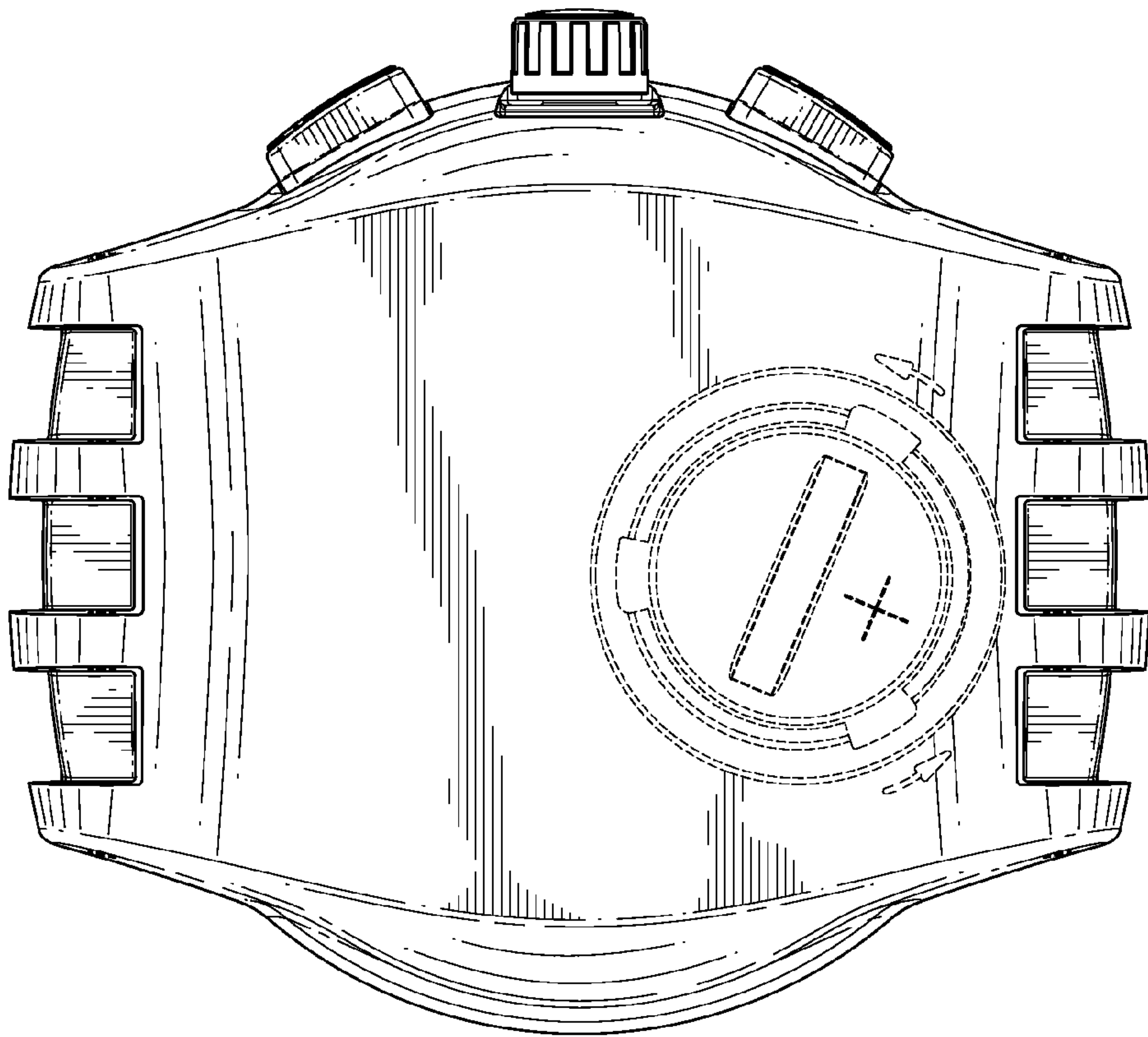


FIG. 7