



US00D700069S

(12) **United States Design Patent**
Polnitz-Baker

(10) **Patent No.:** **US D700,069 S**
(45) **Date of Patent:** **** Feb. 25, 2014**

(54) **INDIVIDUAL PERFORATED MEDICINE PACKAGING**

(76) Inventor: **Mildred Polnitz-Baker, Rex, GA (US)**

(**) Term: **14 Years**

(21) Appl. No.: **29/430,483**

(22) Filed: **Aug. 27, 2012**

(51) **LOC (10) Cl.** **09-01**

(52) **U.S. Cl.**
USPC **D9/732**

(58) **Field of Classification Search**
USPC D9/416, 418, 419, 428, 730, 732, 756,
D9/759; D24/121, 227, 229; D7/541, 546,
D7/549, 553.3, 553.6, 614; D3/203.2,
D3/203.3, 310, 311, 313; 206/461, 464,
206/467, 471, 528, 530, 531, 532, 538, 539,
206/775-779, 781, 782

See application file for complete search history.

(56) **References Cited**

U.S. PATENT DOCUMENTS

3,163,288	A *	12/1964	Arvidsson	206/63.3
3,835,995	A *	9/1974	Haines	206/536
3,899,080	A *	8/1975	Brunda	206/531
3,924,746	A *	12/1975	Haines	206/530
3,931,885	A	1/1976	Nahill et al.		
4,266,666	A	5/1981	Kuchenbecker		
4,340,141	A	7/1982	Fischer		
4,387,804	A *	6/1983	Austin	206/218
5,624,036	A	4/1997	Roulin et al.		

D387,977	S	12/1997	Kallgren		
5,833,071	A	11/1998	Ray		
D455,953	S	4/2002	Assargren et al.		
6,427,841	B2	8/2002	Wani et al.		
6,776,285	B2	8/2004	Shibata		
7,247,329	B2 *	7/2007	Mattisson	426/108
2007/0056872	A1 *	3/2007	Begin	206/461
2008/0002921	A1 *	1/2008	Redmond	383/109
2009/0134051	A1 *	5/2009	Rapp et al.	206/461
2011/0214277	A1 *	9/2011	Yamashita et al.	29/428

* cited by examiner

Primary Examiner — Derrick Holland

Assistant Examiner — Lauren Calve

(74) *Attorney, Agent, or Firm* — Robert C. Montgomery;
Montgomery Patent & Design

(57) **CLAIM**

The ornamental design for an individual perforated medicine packaging, as shown and described.

DESCRIPTION

FIG. 1 is a front perspective view of an individual perforated medicine packaging, showing my new design;

FIG. 2 is a rear perspective view thereof;

FIG. 3 is a front view thereof;

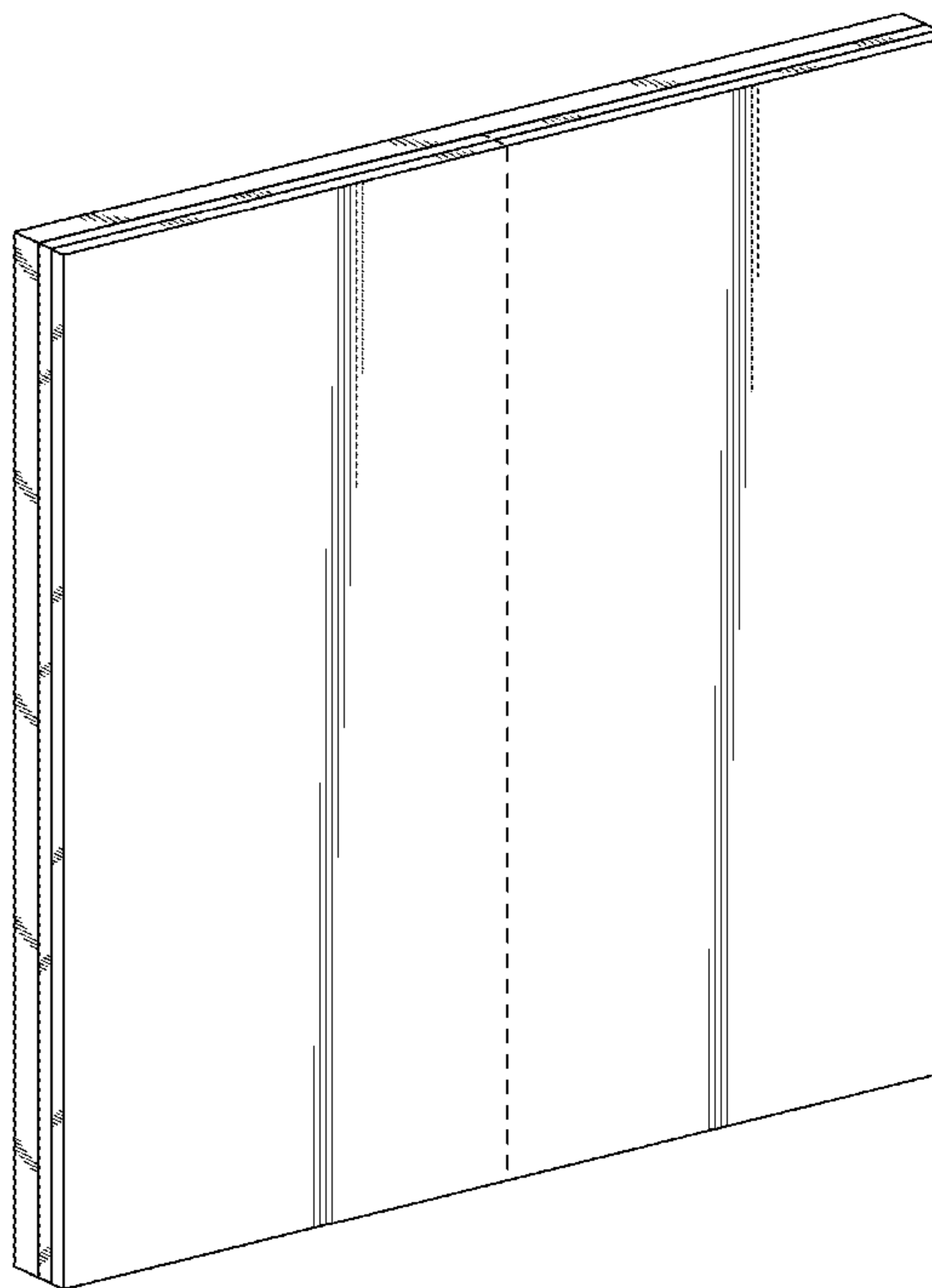
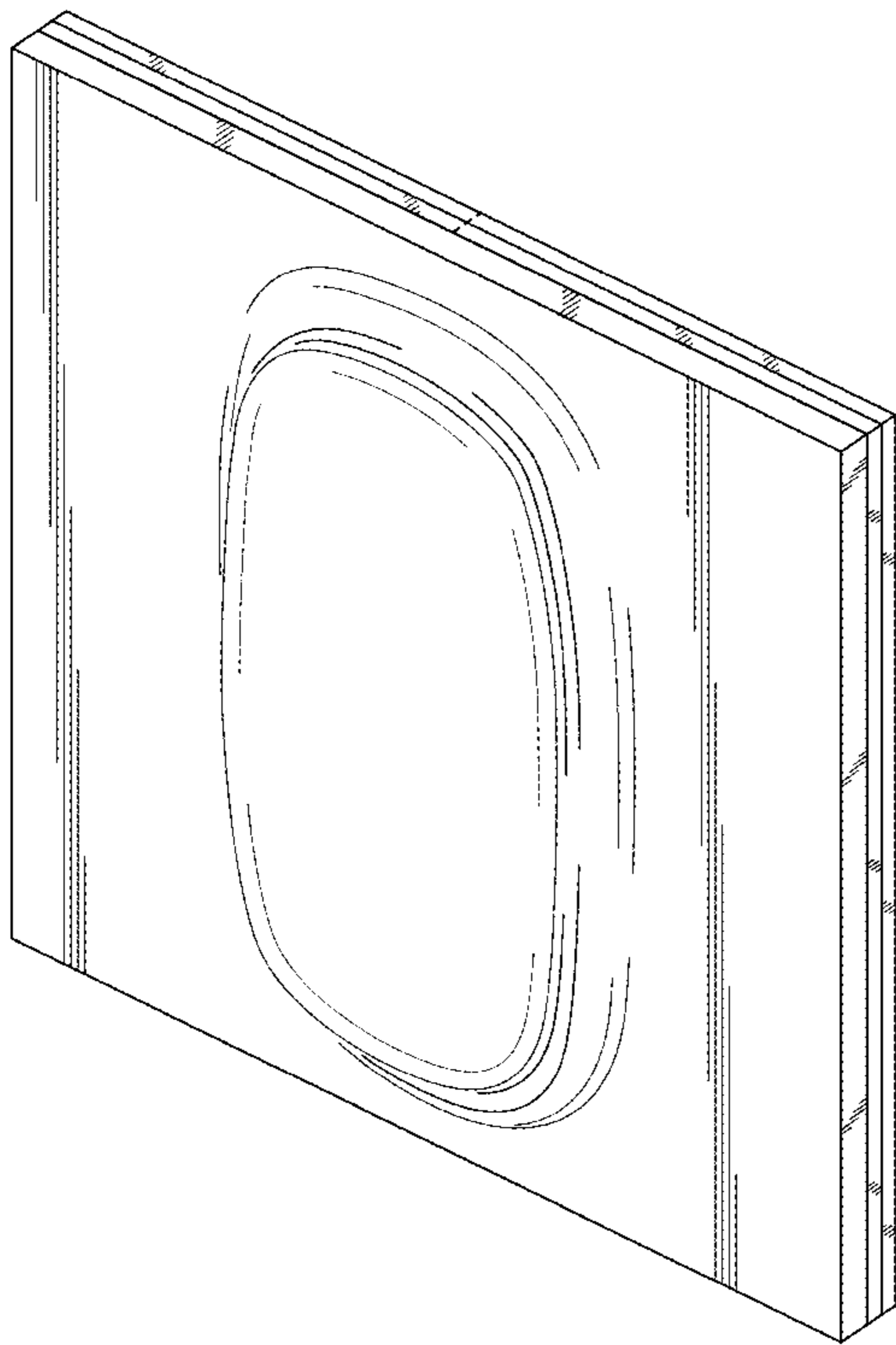
FIG. 4 is a rear view thereof;

FIG. 5 is a left side view thereof with a right side view being a mirror image; and,

FIG. 6 is a top view thereof with a bottom view being a mirror image.

The broken lines of FIGS. 1, 2, 4, and 6 represent perforation lines.

1 Claim, 6 Drawing Sheets



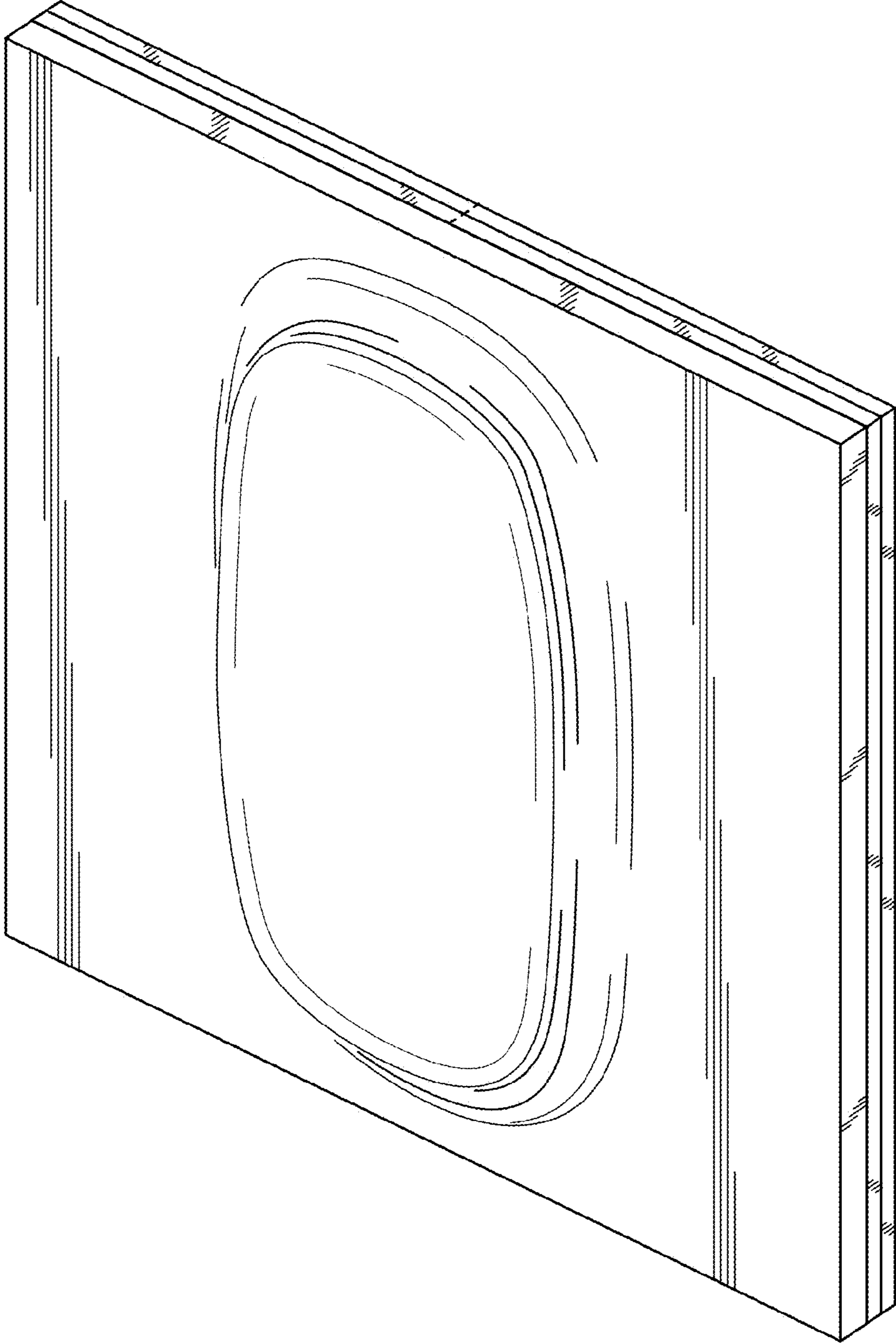


Fig. 1

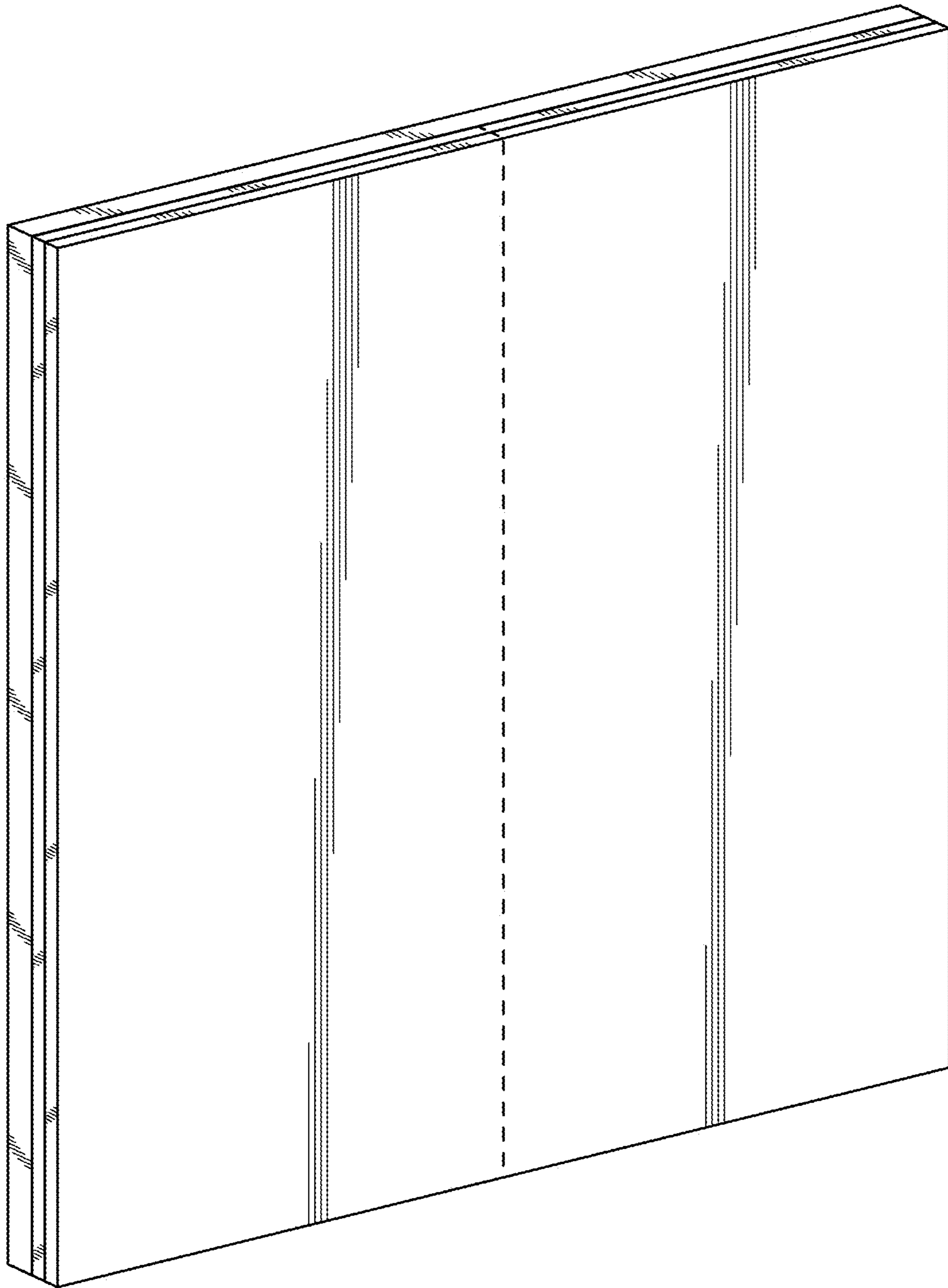


Fig. 2

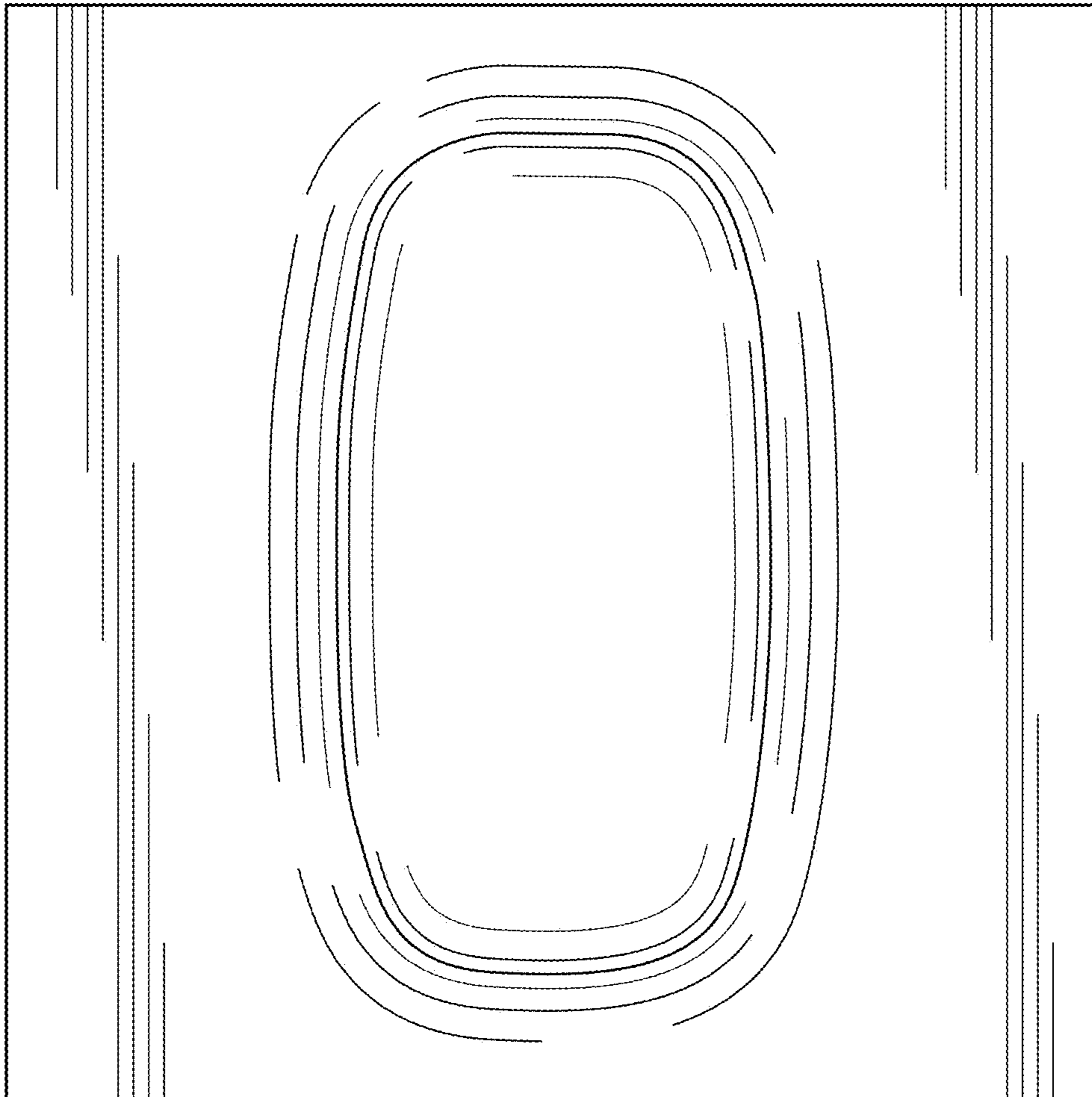


Fig. 3

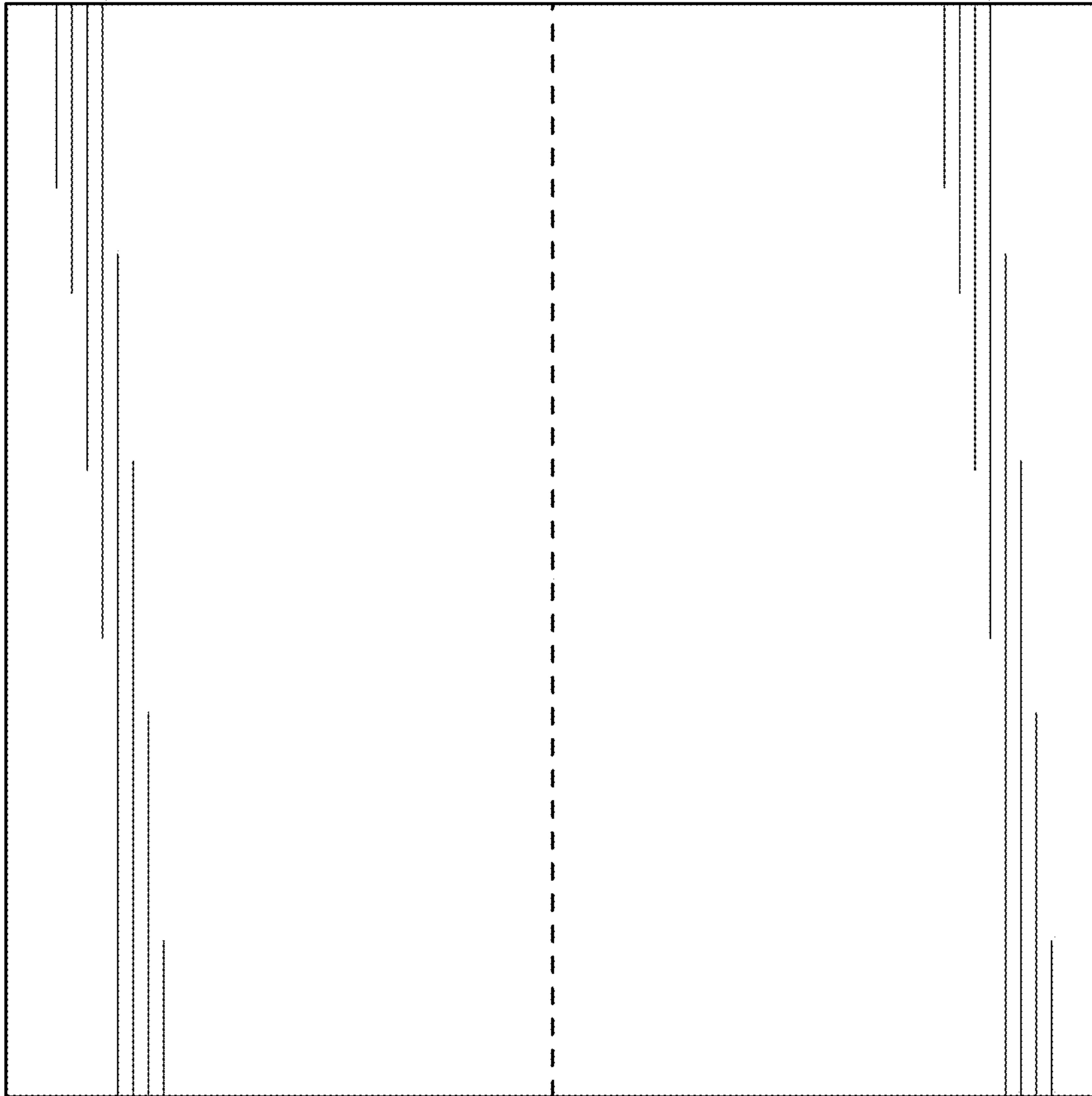


Fig. 4



Fig. 5

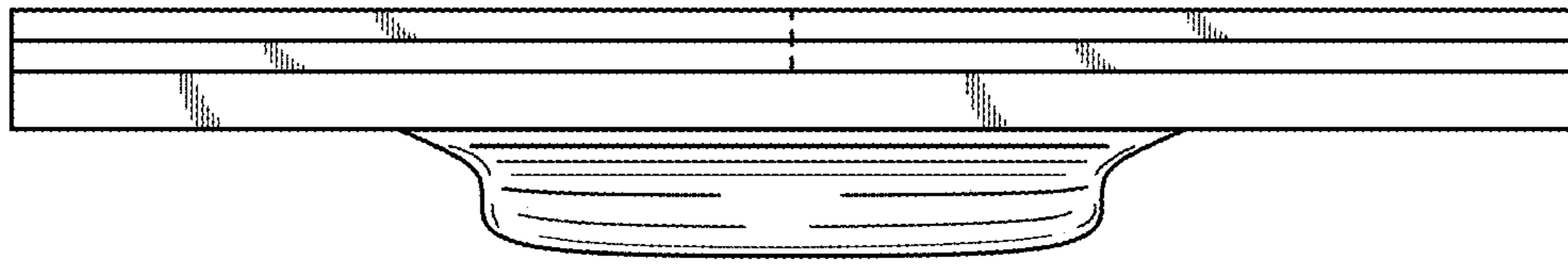


Fig. 6