



US00D700068S

(12) **United States Design Patent**
Krankkala et al.

(10) **Patent No.:** **US D700,068 S**

(45) **Date of Patent:** **** Feb. 25, 2014**

(54) **ROLLED PLIABLE MATERIAL AND
COMPACT PACKAGE WITH A HANDLE**

(75) Inventors: **Ken Krankkala**, Anthem, AZ (US);
Sean Hart, Phoenix, AZ (US)

(73) Assignee: **Bell Automotive Products, Inc.**,
Scottsdale, AZ (US)

(**) Term: **14 Years**

(21) Appl. No.: **29/406,086**

(22) Filed: **Nov. 9, 2011**

(51) **LOC (10) Cl.** **09-03**

(52) **U.S. Cl.**
USPC **D9/715**

(58) **Field of Classification Search**
USPC D9/414, 418, 420, 421, 423, 704, 711,
D9/715, 718, 721, 722, 756, 759; 206/481,
206/482-483, 278.1, 8, 9, 11, 279-299;
223/85, 88; 5/420, 417, 413 R, 658;
D6/582, 583, 610, 603, 595, 608
See application file for complete search history.

(56) **References Cited**

U.S. PATENT DOCUMENTS

124,007 A * 2/1872 Nobles 5/419
1,237,243 A * 8/1917 Conner 5/420
2,786,572 A * 3/1957 Gentry 206/140

3,252,567 A * 5/1966 Baron et al. 206/278
D238,755 S * 2/1976 Huff D9/711
4,257,522 A * 3/1981 Thorneburg 206/299
4,383,637 A * 5/1983 Pfeiffer et al. 229/110
6,061,849 A * 5/2000 Seals 5/417
D450,578 S * 11/2001 Tomaselli et al. D9/711
D544,369 S * 6/2007 Liu D9/704
7,540,377 B1 * 6/2009 Krisher 206/295
7,631,376 B2 * 12/2009 Peterson et al. 5/413 R
D639,679 S * 6/2011 Kissner et al. D9/739

* cited by examiner

Primary Examiner — Derrick Holland

Assistant Examiner — Lauren Calve

(74) *Attorney, Agent, or Firm* — Booth Udall Fuller, PLC

(57) **CLAIM**

The ornamental design for a rolled pliable material and compact package with a handle, as shown and described.

DESCRIPTION

FIG. 1 is a front perspective view of a rolled pliable material and compact package with a handle;

FIG. 2 is a bottom view thereof;

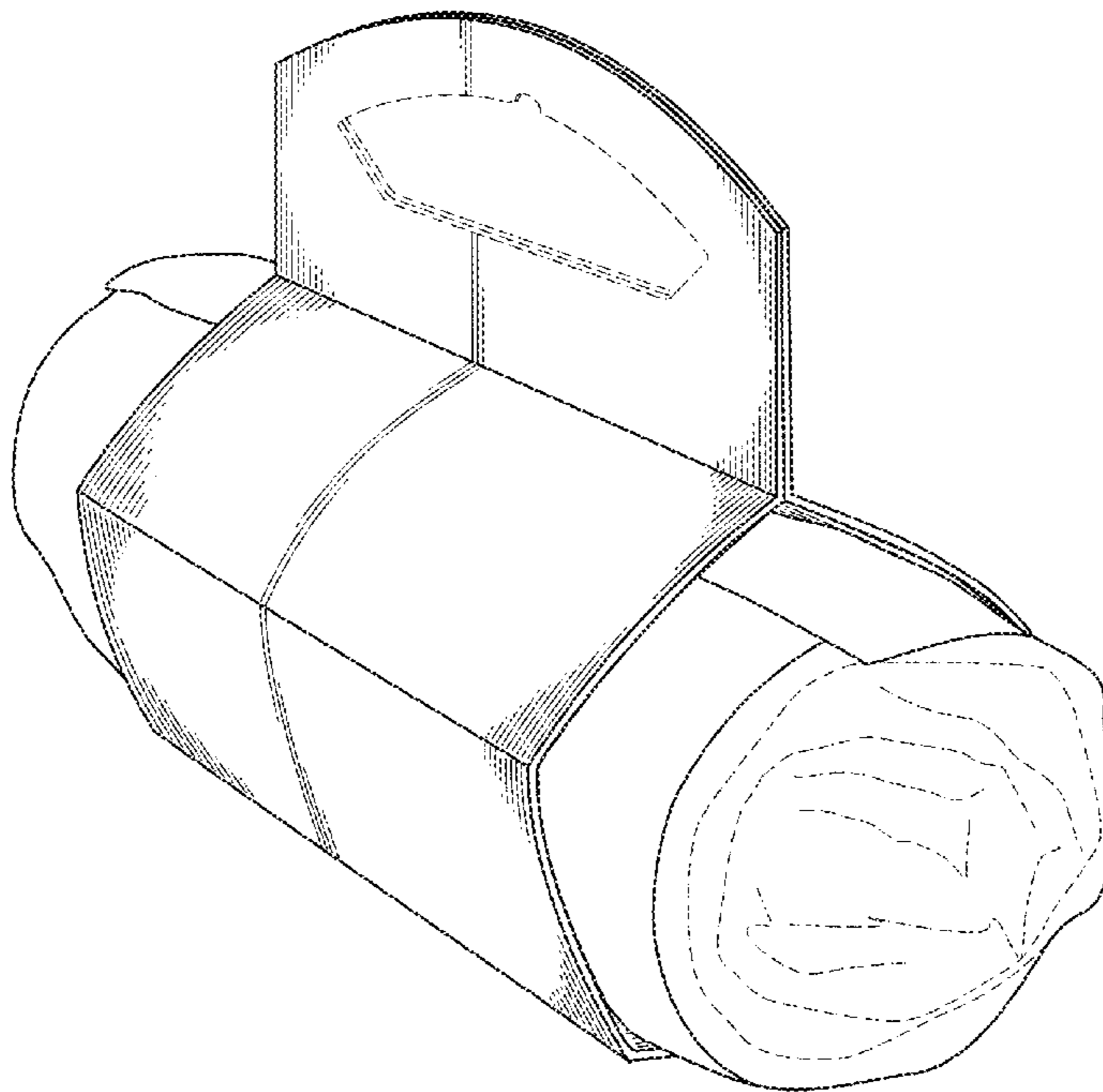
FIG. 3 is a right side view thereof;

FIG. 4 is a top view thereof; and,

FIG. 5 is a front view thereof.

The broken line showing of FIGS. 1-3 and 5 represents unclaimed subject matter and forms no part of the claimed design.

1 Claim, 3 Drawing Sheets



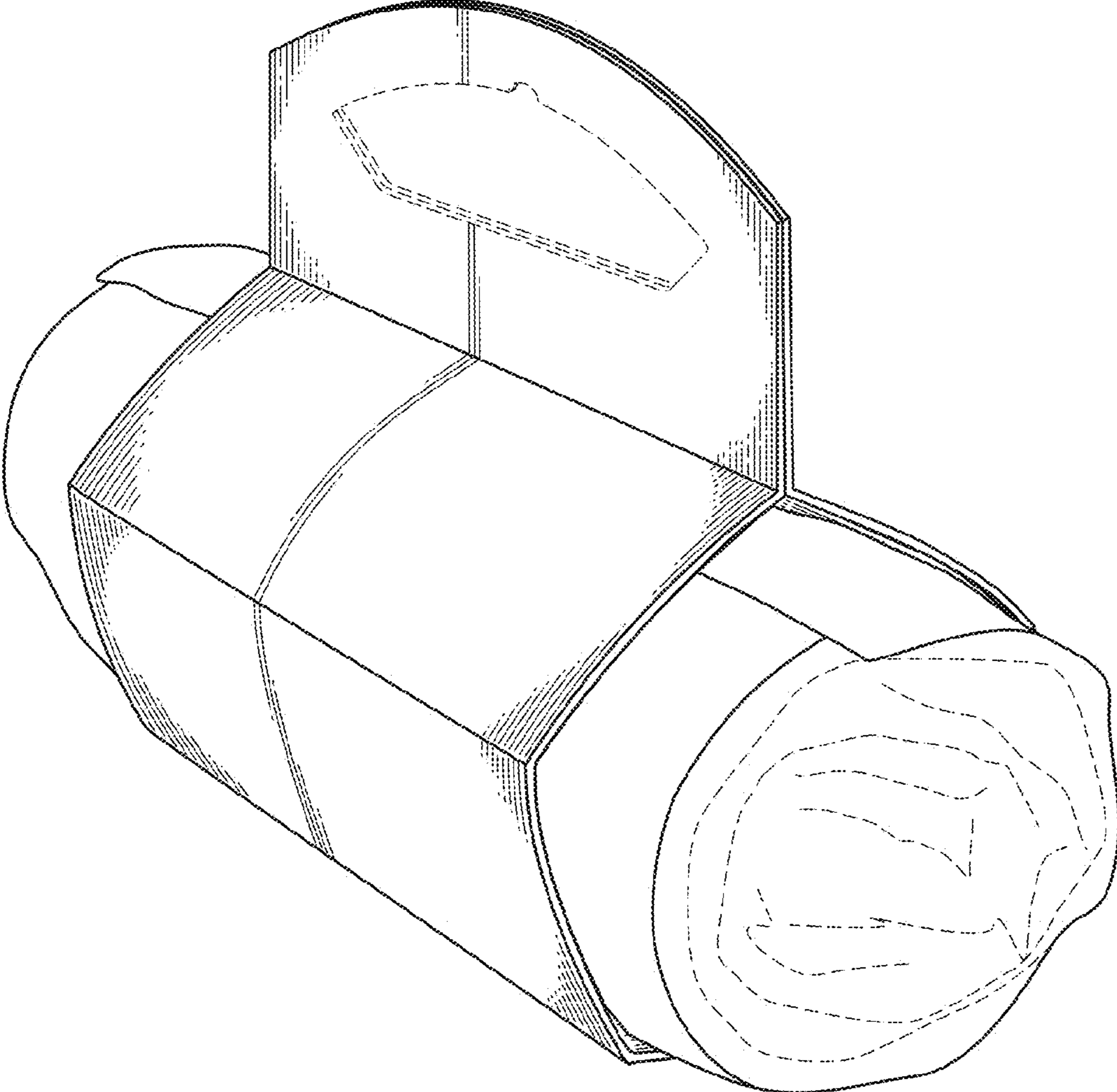


Fig. 1

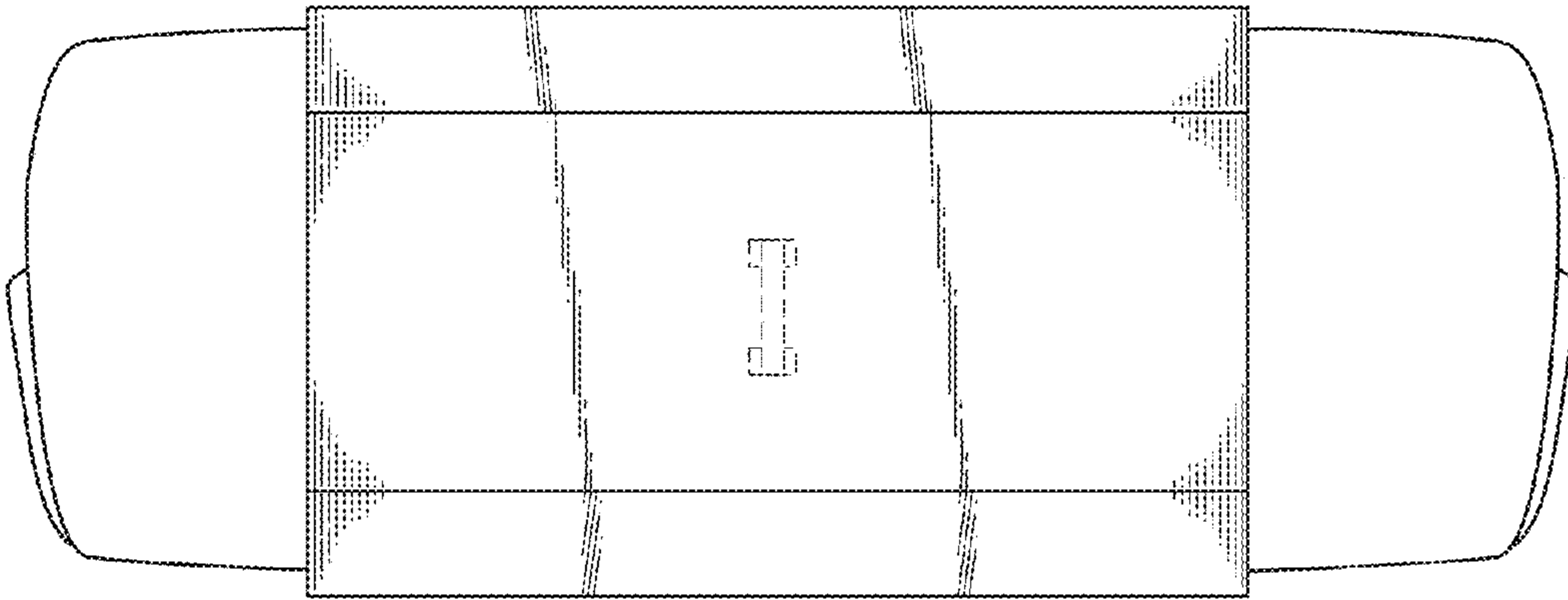


Fig. 2

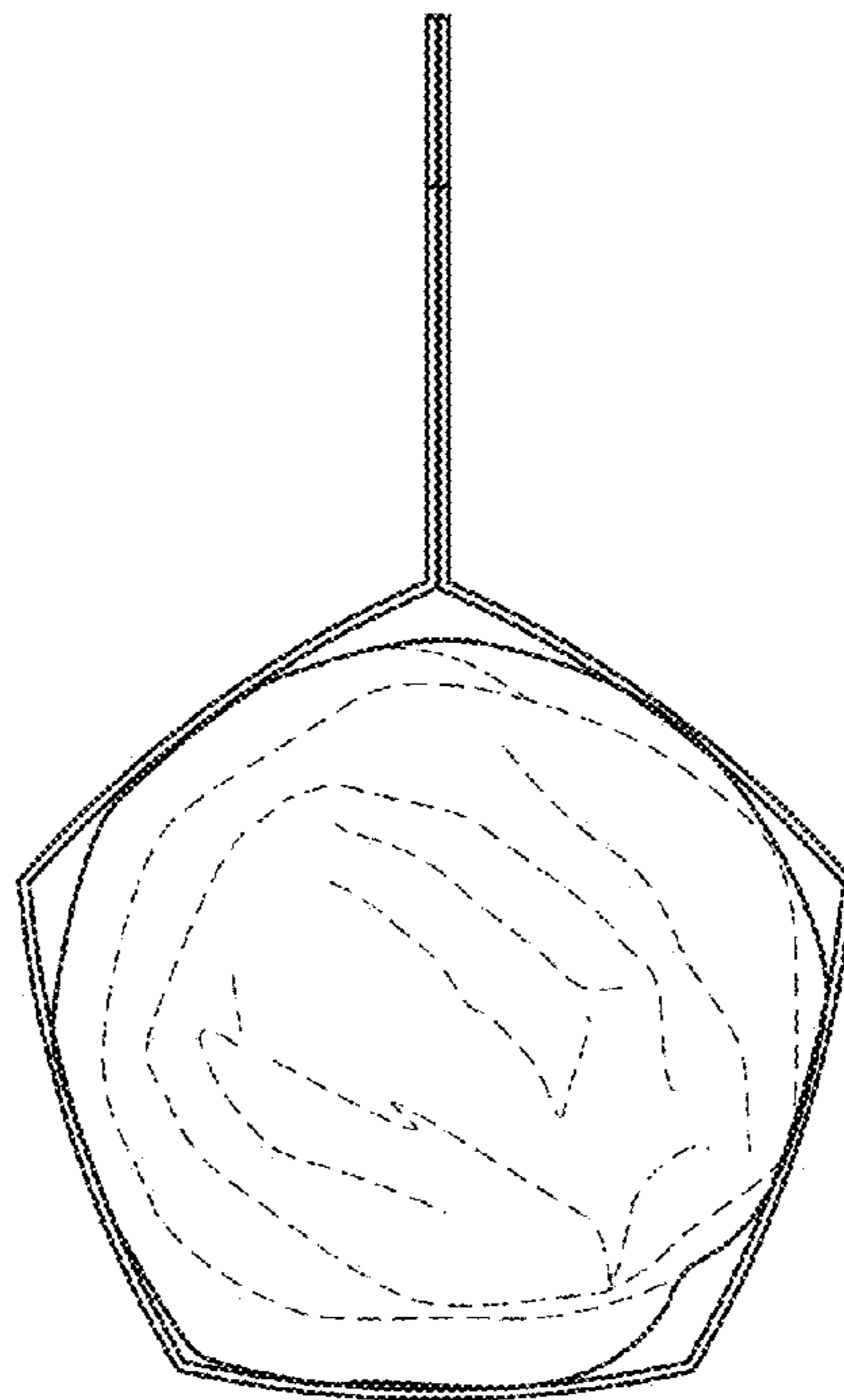


Fig. 3

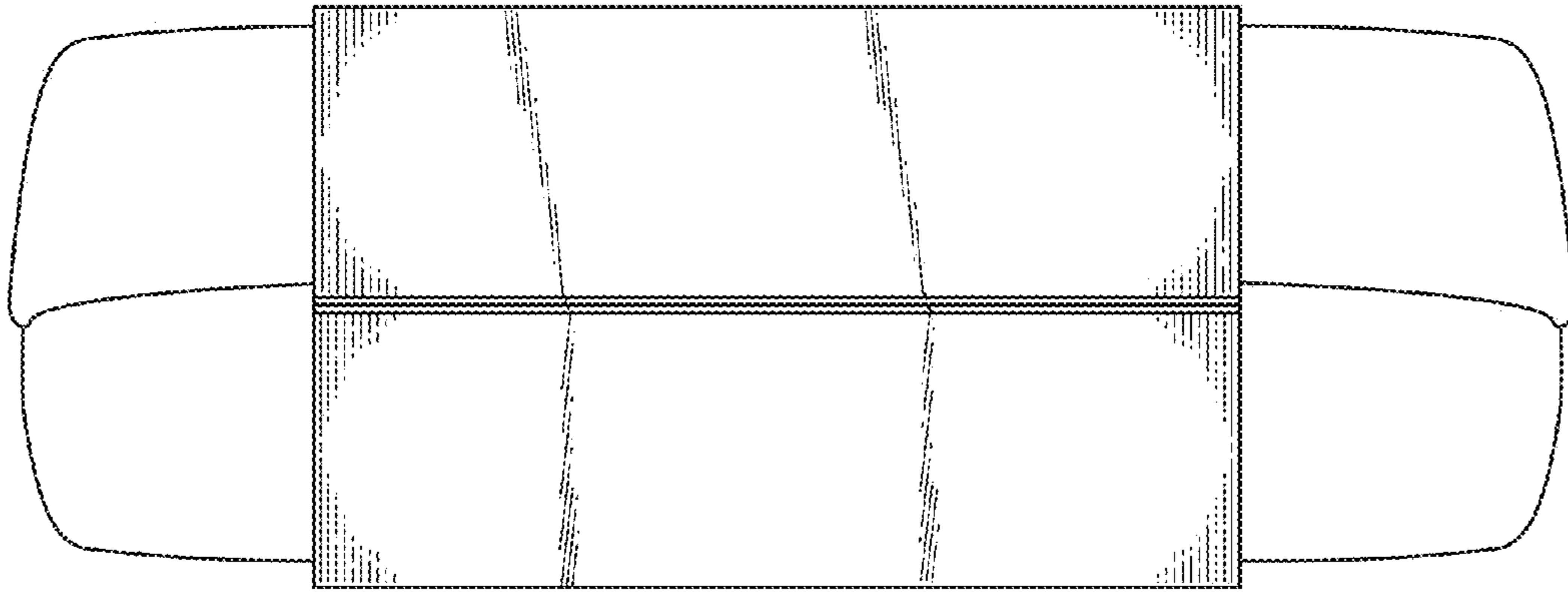


Fig. 4

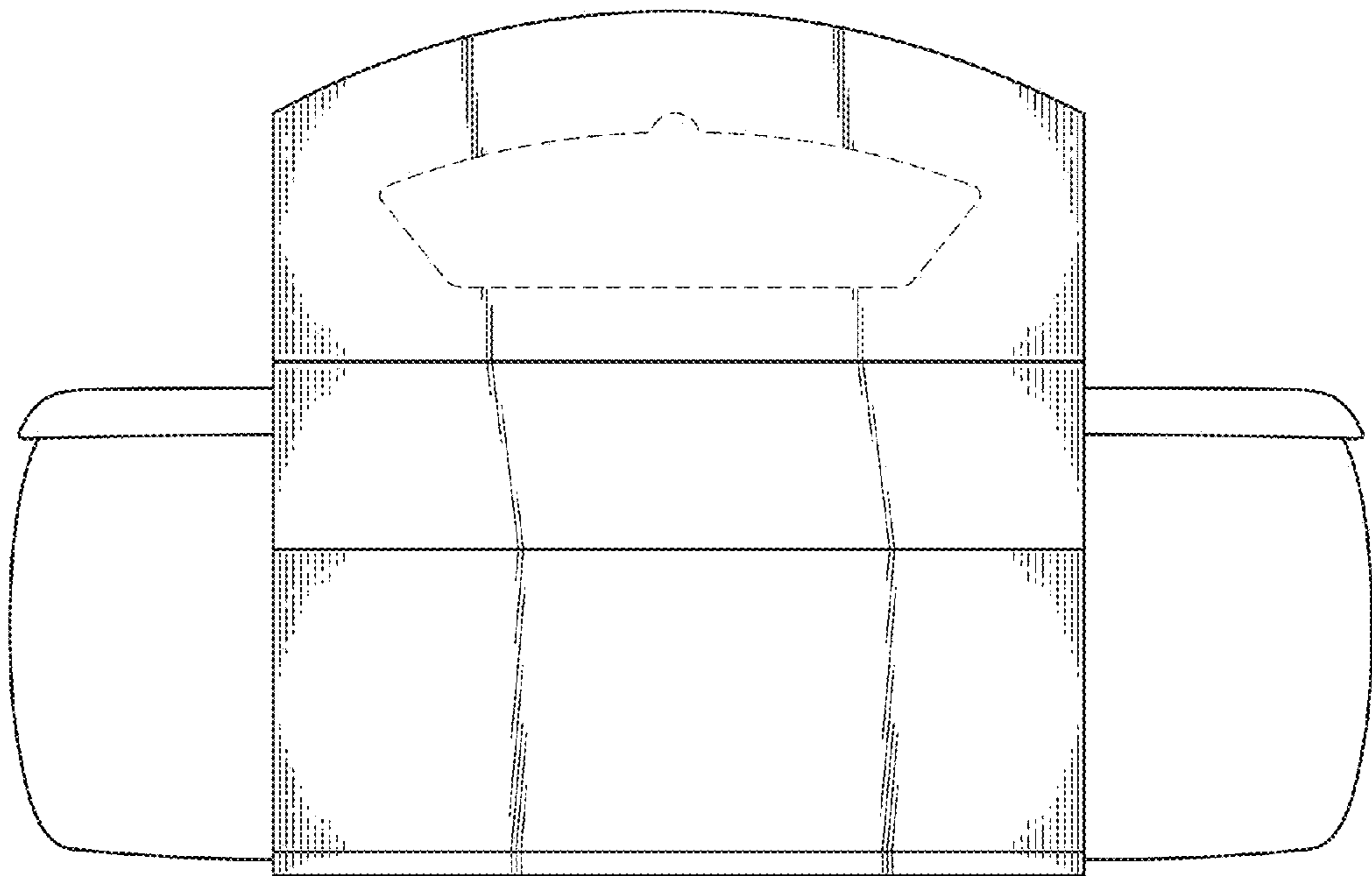


Fig. 5