



US00D700065S

(12) **United States Design Patent**
Owens

(10) **Patent No.:** **US D700,065 S**

(45) **Date of Patent:** **** Feb. 25, 2014**

(54) **NON-RIGID FOOD PACKAGING**

(71) Applicant: **Christopher David Owens**, Irving, CA
(US)

(72) Inventor: **Christopher David Owens**, Irving, CA
(US)

(**) Term: **14 Years**

(21) Appl. No.: **29/451,600**

(22) Filed: **Apr. 4, 2013**

(51) **LOC (10) Cl.** **09-05**

(52) **U.S. Cl.**
USPC **D9/707**

(58) **Field of Classification Search**
USPC D9/702-714, 414-415, 417-418, 737,
D9/424, 430-433, 730-732, 756, 761, 643,
D9/425; D7/549, 553.2, 590, 602, 601;
D3/201, 203.1, 203.3, 303, 202;
206/527, 4.27, 807, 260, 811, 103,
206/203, 207, 518, 520; 220/23.4, 500,
220/666, 643, 662, 4.21, 556, 640;
229/120.02, 120.011, 87.06, 406, 407;
426/114-115, 119, 120; 222/92, 107,
222/215, 206

See application file for complete search history.

(56) **References Cited**

U.S. PATENT DOCUMENTS

4,355,755 A * 10/1982 Faller 229/406
D432,409 S * 10/2000 Feldmeier D9/761
6,440,509 B1 * 8/2002 Littlejohn et al. 428/35.7
D479,442 S * 9/2003 Bergas D7/629
D531,024 S * 10/2006 Feldmeier D9/425

D597,831 S * 8/2009 Clark et al. D9/424
D629,702 S * 12/2010 Caldwell et al. D9/756
D670,178 S * 11/2012 Carson D9/756

* cited by examiner

Primary Examiner — Caron D Veynar

Assistant Examiner — Abraham Bahta

(74) *Attorney, Agent, or Firm* — Johnson & Martin, P.A.;
Scott Nyman

(57) **CLAIM**

The ornamental design for a non-rigid food packaging, as shown and described.

DESCRIPTION

FIG. 1 is a perspective view of an ornamental design for non-rigid food packaging.

FIG. 2 is a top plan view of the non-rigid food packaging of FIG. 1.

FIG. 3 is a bottom plan view of the non-rigid food packaging of FIG. 1.

FIG. 4 is a front elevation view of the non-rigid food packaging of FIG. 1.

FIG. 5 is a rear elevation view of the non-rigid food packaging of FIG. 1.

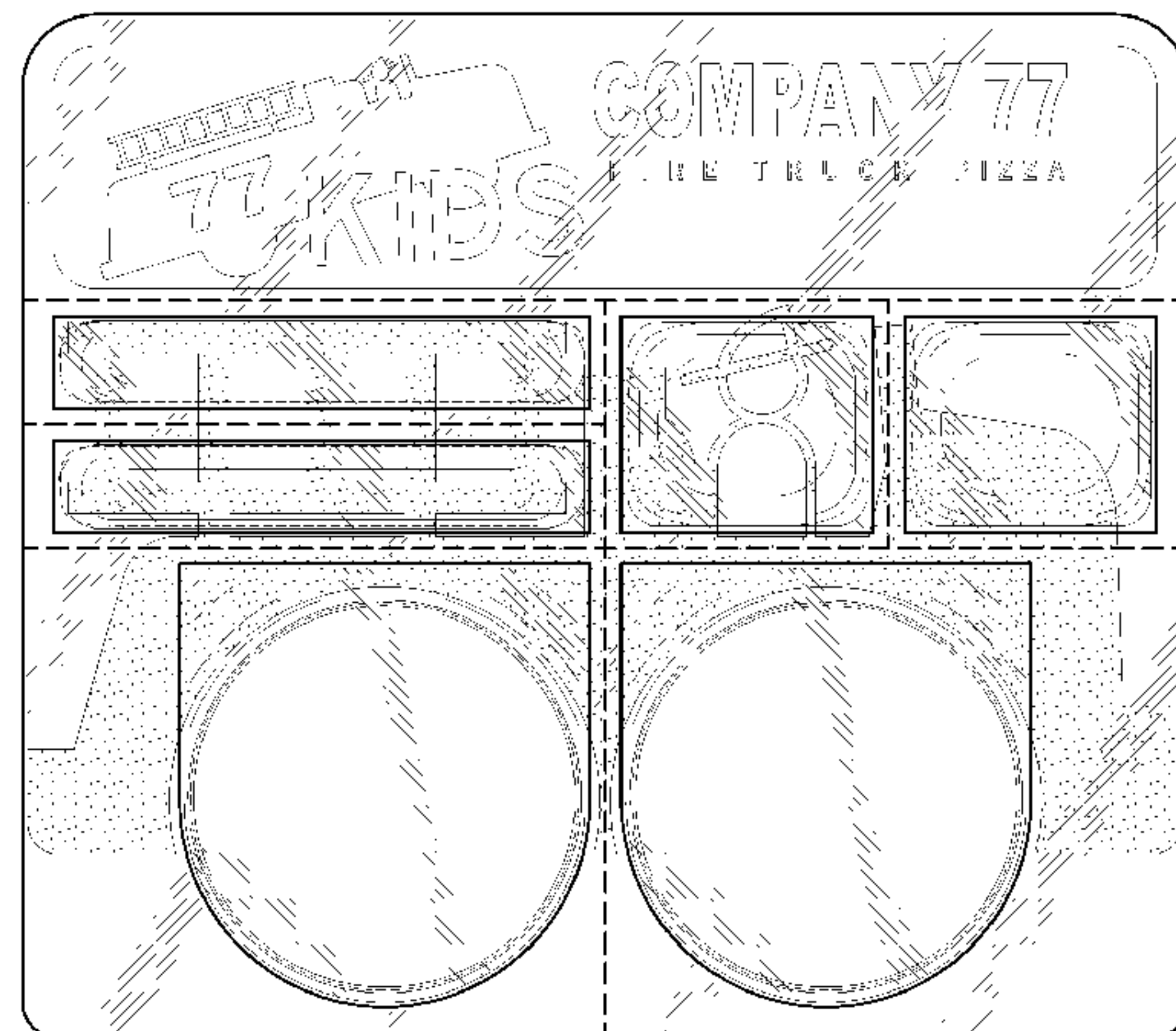
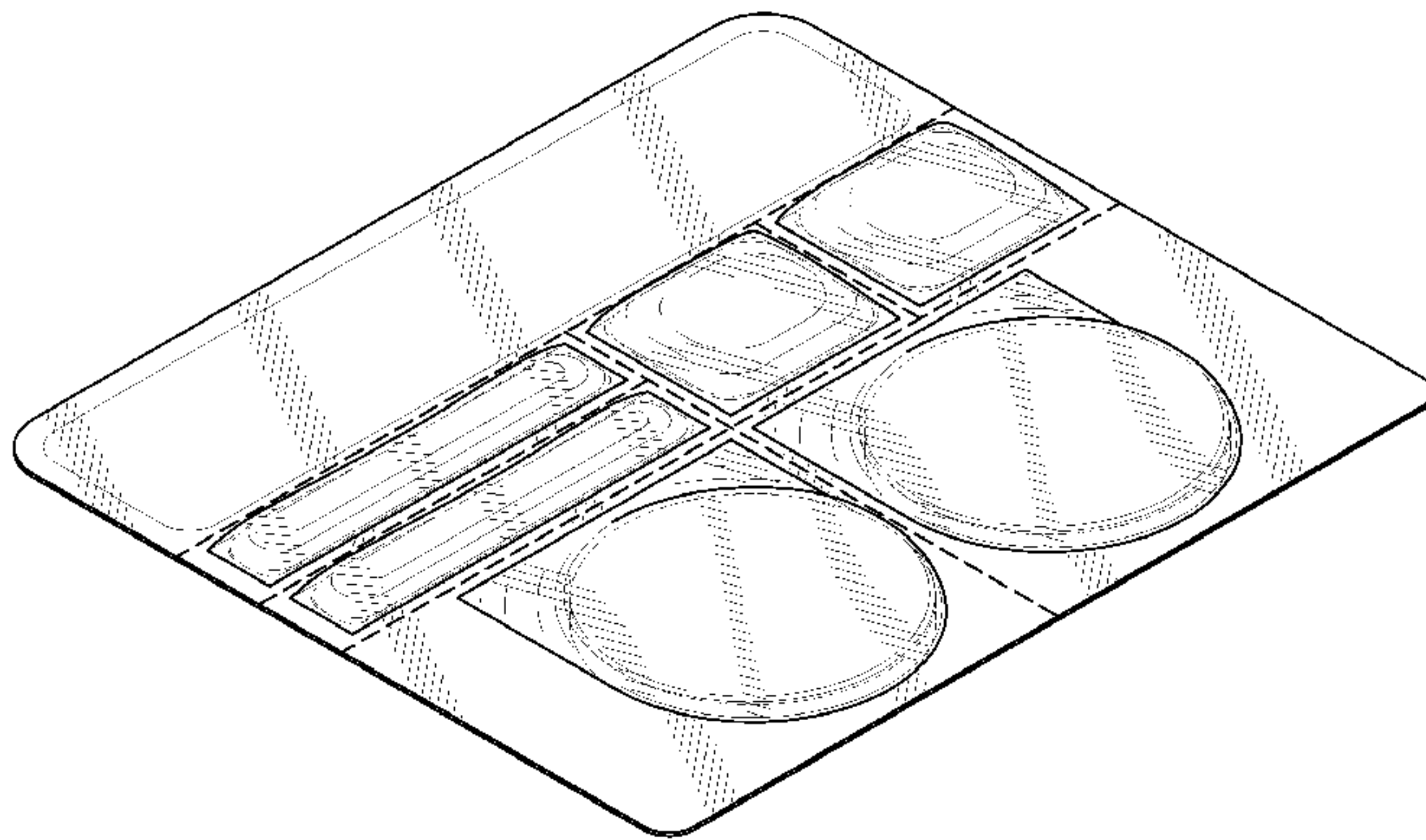
FIG. 6 is a left elevation view of the non-rigid food packaging of FIG. 1.

FIG. 7 is a right elevation view of the non-rigid food packaging of FIG. 1; and,

FIG. 8 is a top plan view of the non-rigid food packaging of FIGS. 1-7 with a graphic applied.

The broken line illustration of food ingredients is shown for the purpose of illustrating application of the article and forms no part of the claimed design. The stippling on the graphic shown on FIG. 8 does not represent any specific color or color combination.

1 Claim, 6 Drawing Sheets



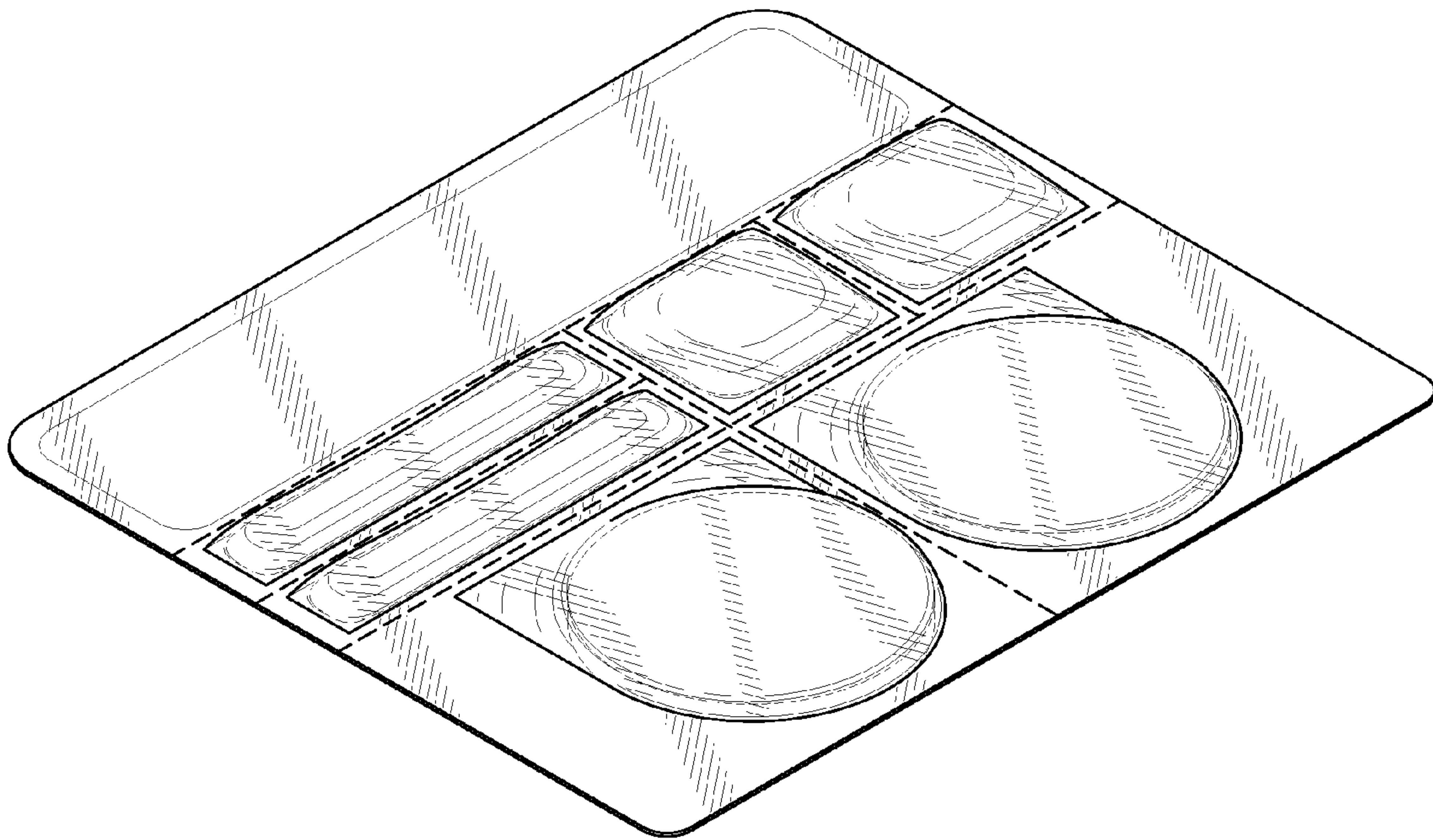


FIG. 1

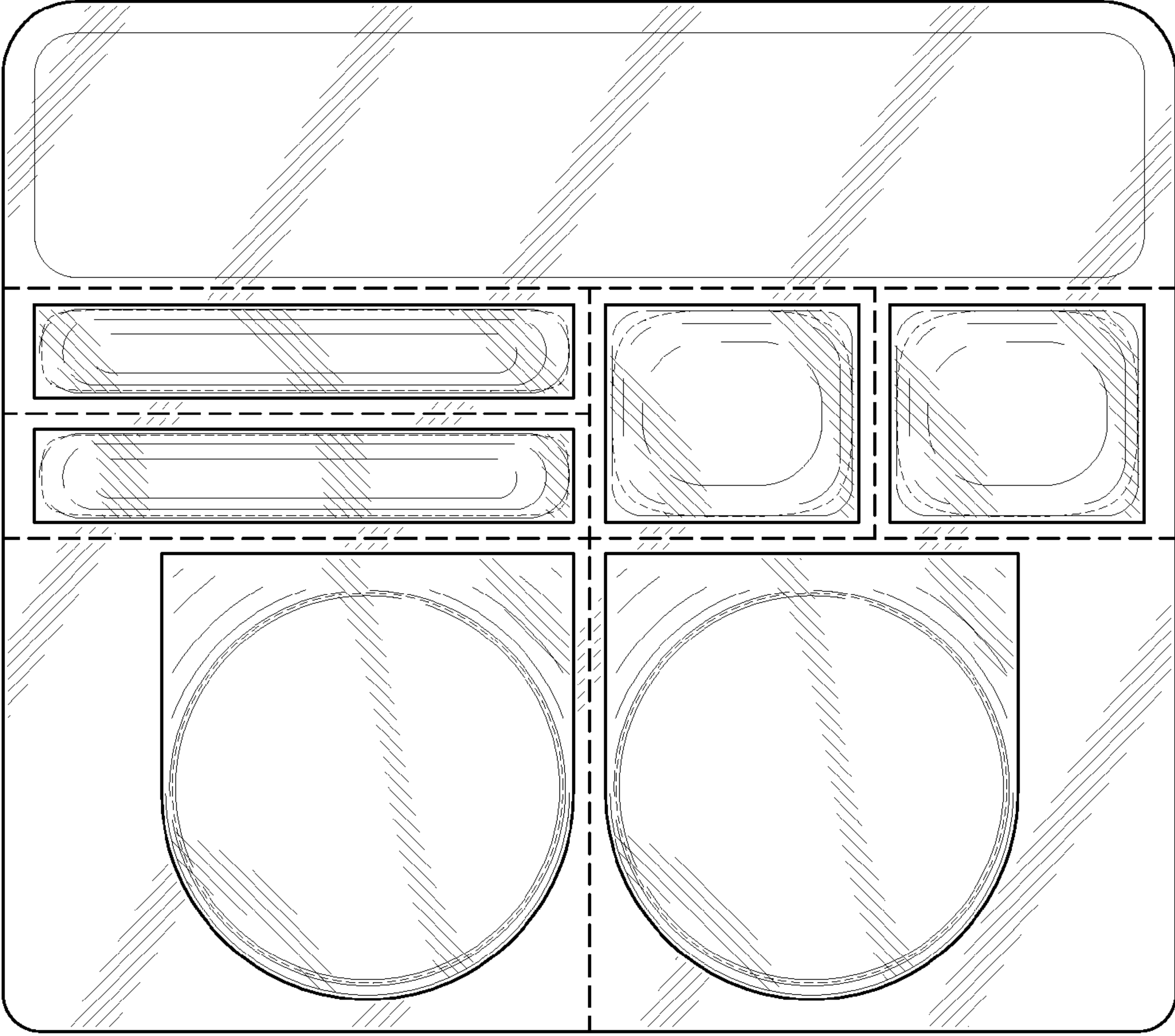


FIG. 2

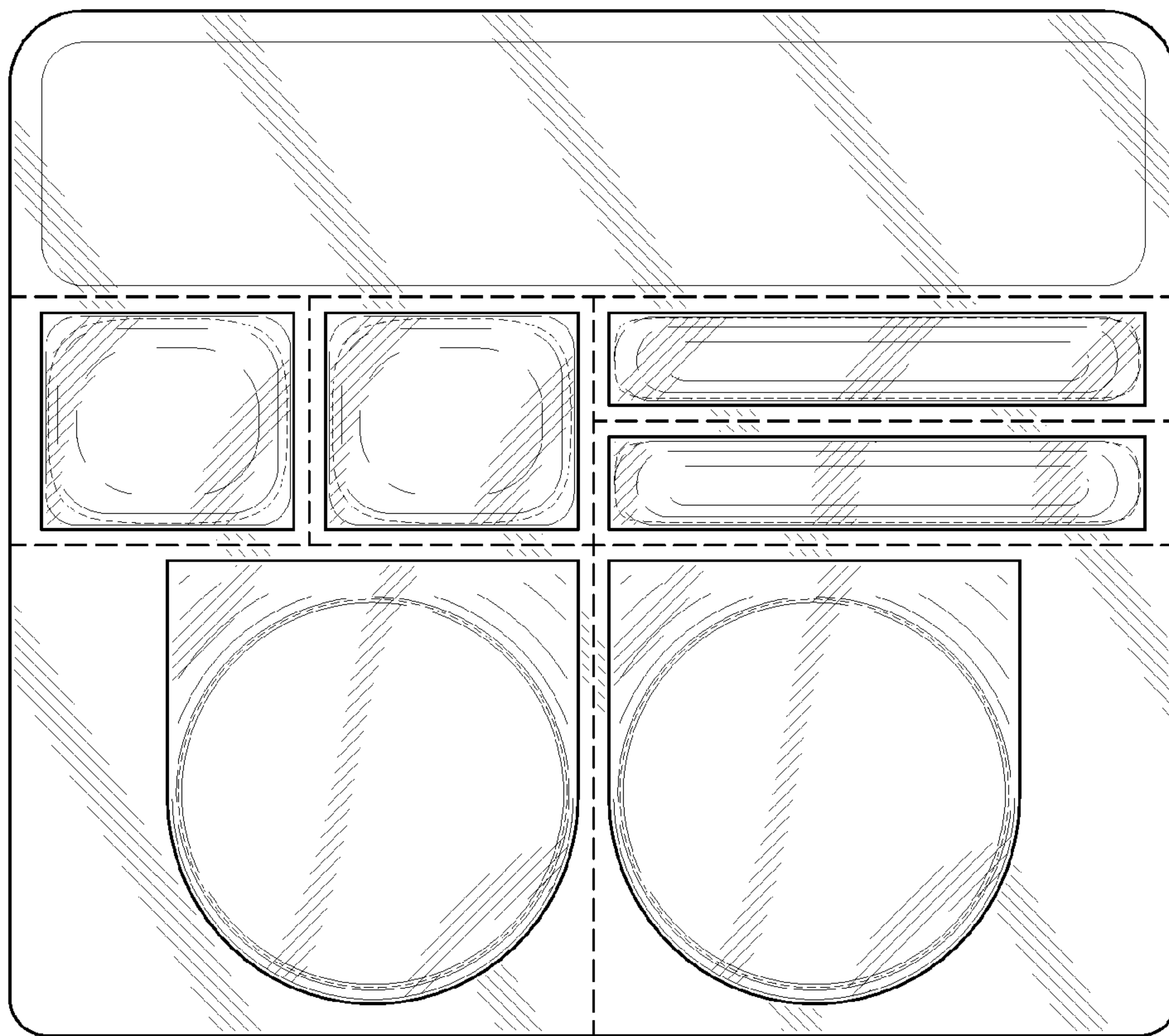


FIG. 3



FIG. 4



FIG. 5



FIG. 6



FIG. 7

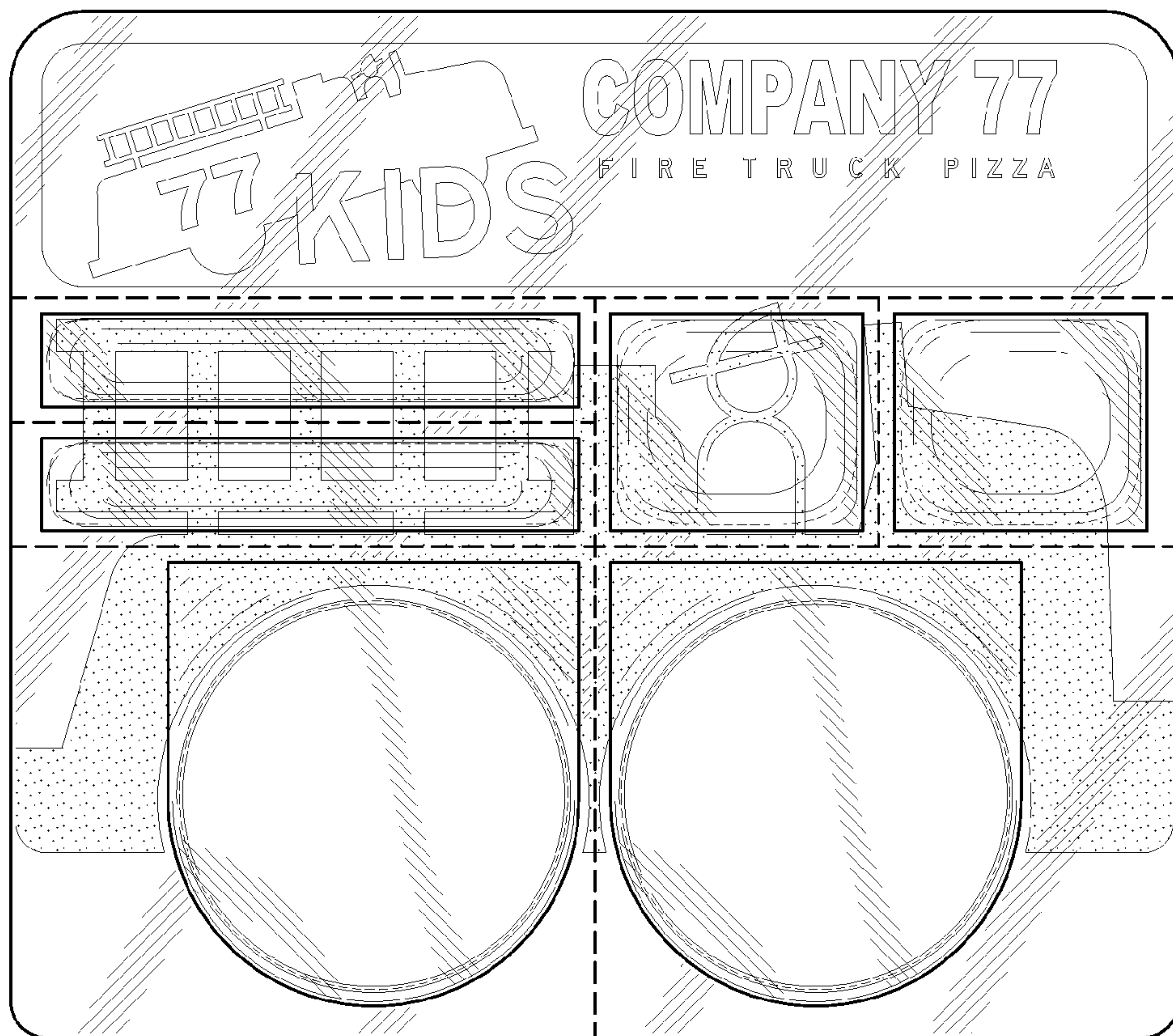


FIG. 8