



US00D700051S

(12) **United States Design Patent**
Driskell

(10) **Patent No.:** **US D700,051 S**

(45) **Date of Patent:** **** Feb. 25, 2014**

(54) **TRIGGER SPRAYER SHROUD**

D601,895 S * 10/2009 Buogo et al. D9/448
D601,896 S * 10/2009 Buogo et al. D9/448
D625,188 S * 10/2010 Rech D9/448

(75) Inventor: **William L. Driskell**, Lee's Summit, MO
(US)

OTHER PUBLICATIONS

(73) Assignee: **MeadWestvaco Calmar, Inc.**,
Richmond, VA (US)

VersaPlast™ SP 05 Trigger Sprayer. (c) 2012; 2 pages. Found at
<http://www.meadwestvaco.com/HomeandGardenPackaging/AerosolSprayers/MWVD010651>.*

(**) Term: **14 Years**

Foam Trigger Sprayer. NingBo Lemon Garden Equipment Co, Ltd.
(c) unknown; 2 pages. Found at <http://www.cngardensprayer.com/products/Foam-trigger-sprayer-49251.html>.*

(21) Appl. No.: **29/413,242**

* cited by examiner

(22) Filed: **Feb. 13, 2012**

(51) **LOC (10) Cl.** **09-07**

Primary Examiner — Robert M Spear

(52) **U.S. Cl.**
USPC **D9/448**

(74) *Attorney, Agent, or Firm* — MeadWestvaco Intellectual
Property Group

(58) **Field of Classification Search**
USPC D9/434, 435, 448, 449; D23/213, 226;
222/323, 383.1, 383.3, 402.15;
239/120, 215, 333, 394, 526, 539;
417/178, 198, 411

(57) **CLAIM**

The ornamental design for a trigger sprayer shroud, as shown
and described.

See application file for complete search history.

DESCRIPTION

(56) **References Cited**

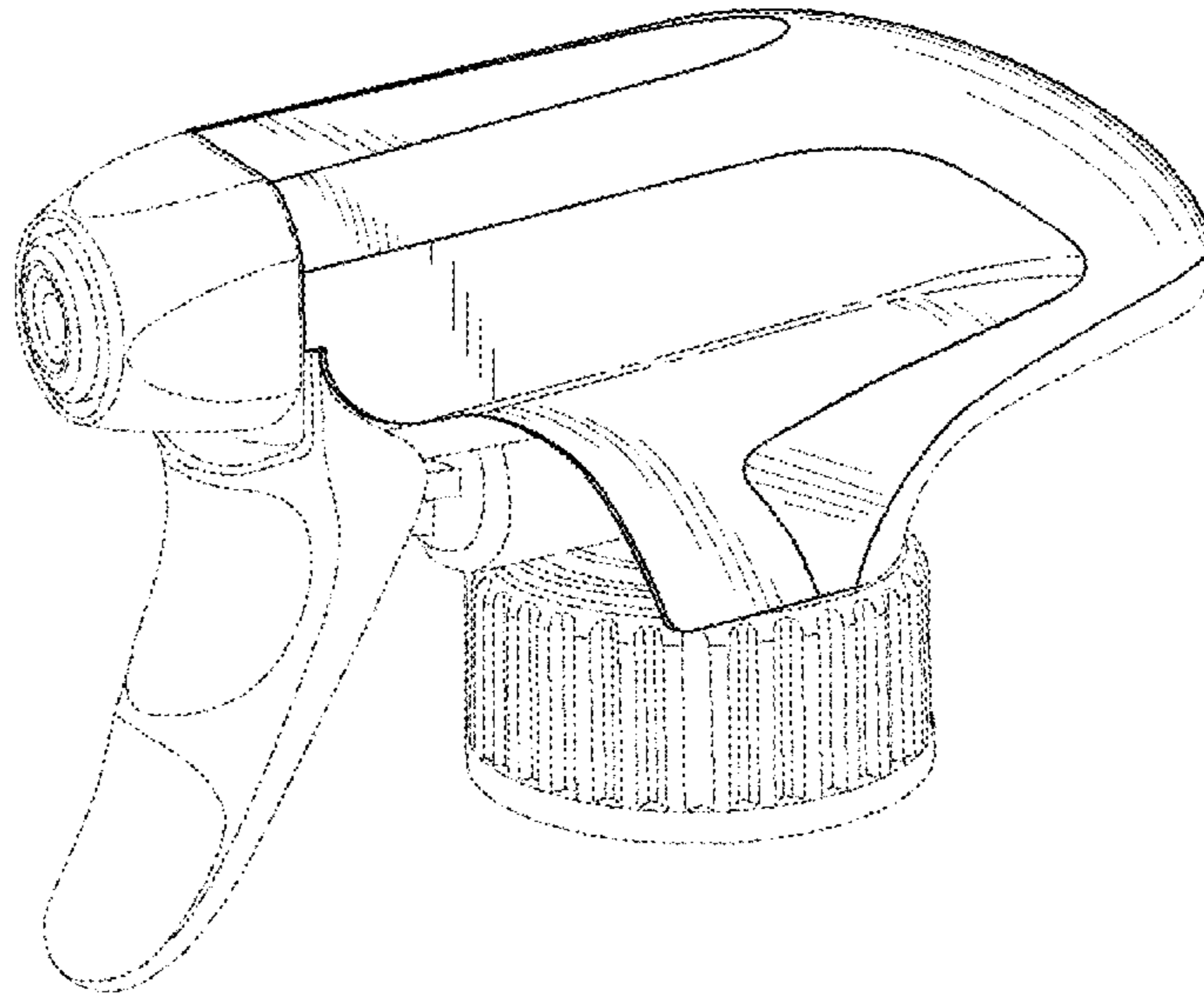
U.S. PATENT DOCUMENTS

5,267,692 A * 12/1993 Maas et al. 239/333
D409,917 S * 5/1999 Wadsworth et al. D9/448
D409,918 S * 5/1999 Wadsworth et al. D9/448
D520,872 S * 5/2006 Paas et al. D9/448
D521,864 S * 5/2006 Cartoni D9/448
D582,769 S * 12/2008 Turchi D9/448
D582,770 S * 12/2008 Turchi D9/448
D583,233 S * 12/2008 Cantoni et al. D9/448
D587,574 S * 3/2009 Cantoni et al. D9/448

FIG. 1 is a perspective view of a trigger sprayer shroud
showing a new design;
FIG. 2 is a front perspective view of the new design;
FIG. 3 is a back perspective view of the new design;
FIG. 4 is a left view of the new design;
FIG. 5 is a right view of the new design;
FIG. 6 is a back view of the new design;
FIG. 7 is a front view of the new design; and,
FIG. 8 is a top view of the new design.

The broken lines in the drawings are understood to represent
unclaimed portions of the article in which the claimed design
is embodied. The broken lines form no part of the claim.

1 Claim, 6 Drawing Sheets



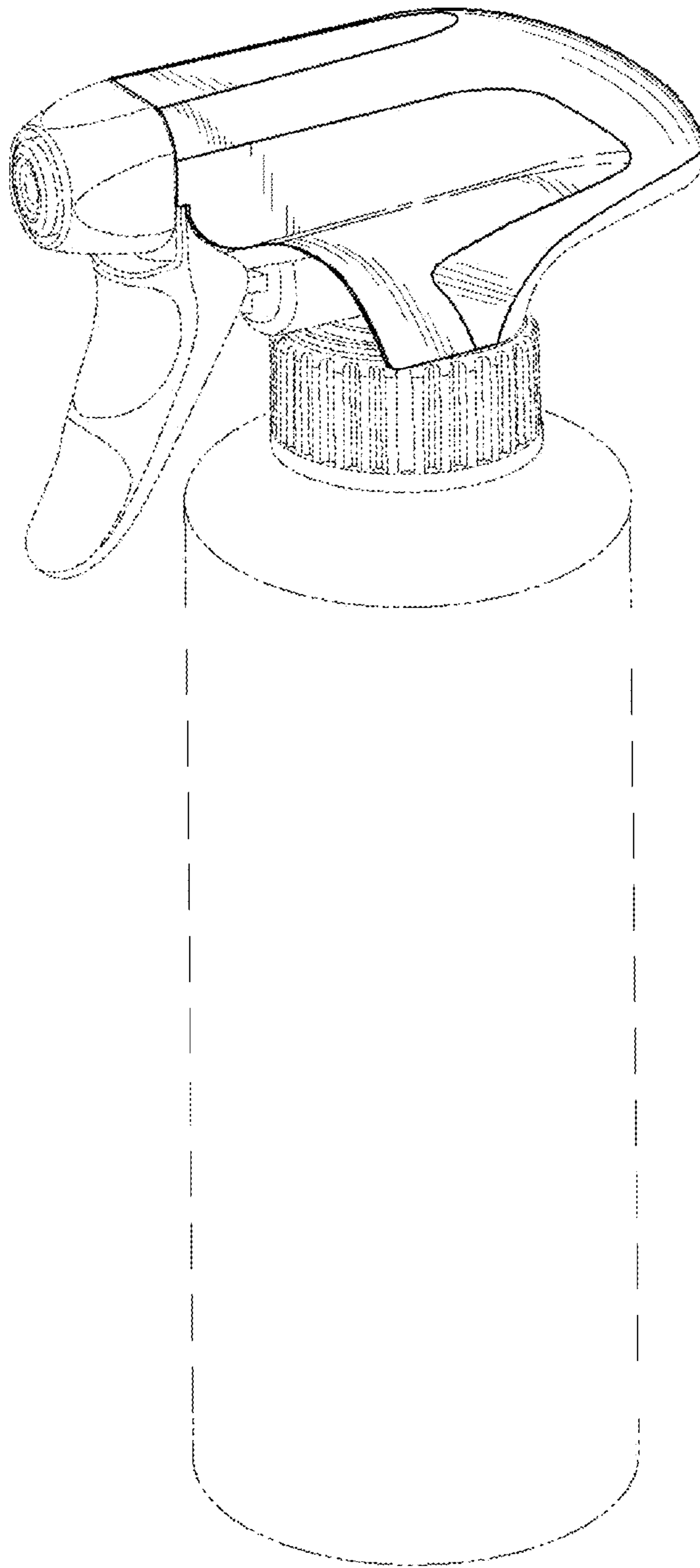


FIG. 1

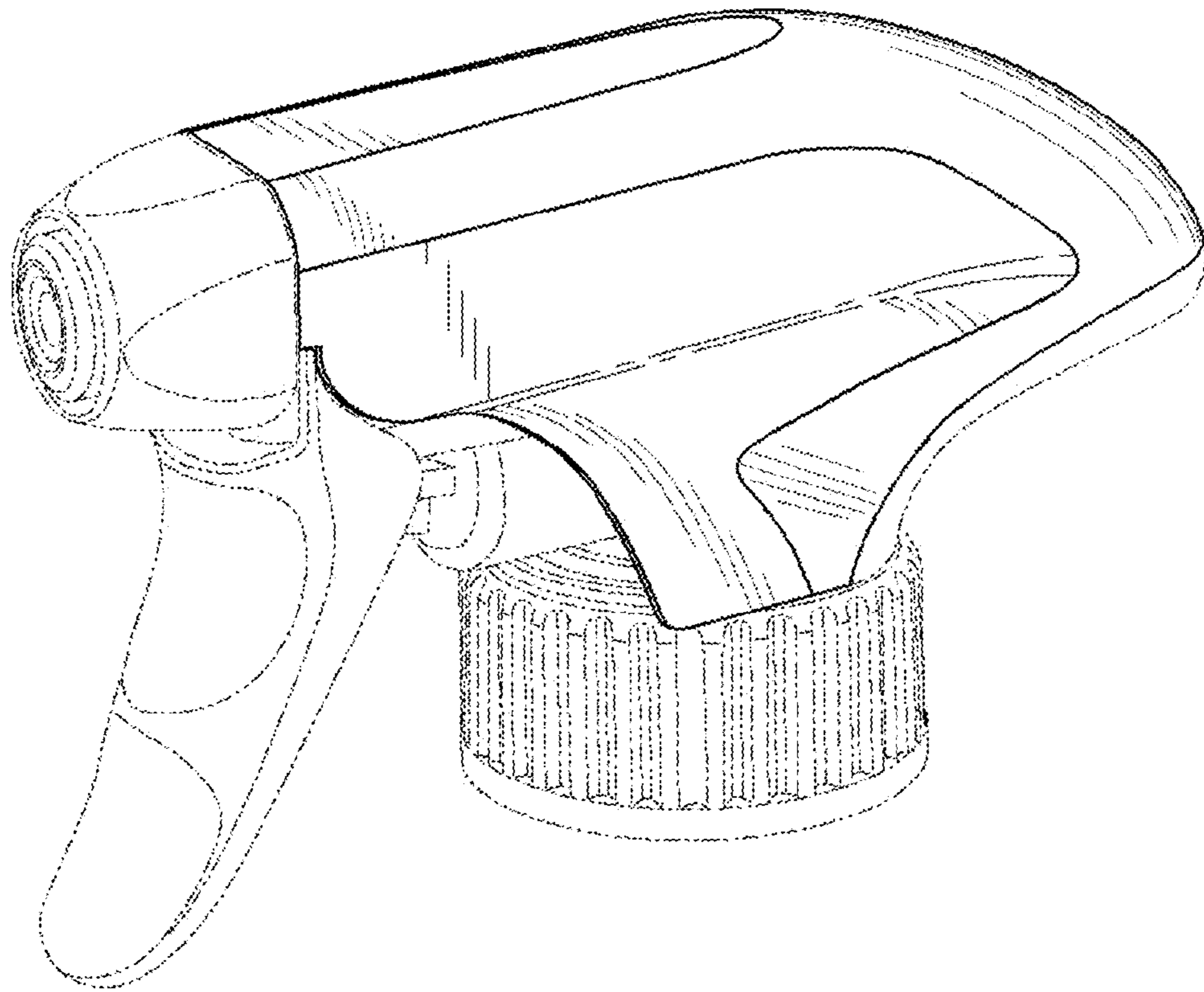


FIG. 2

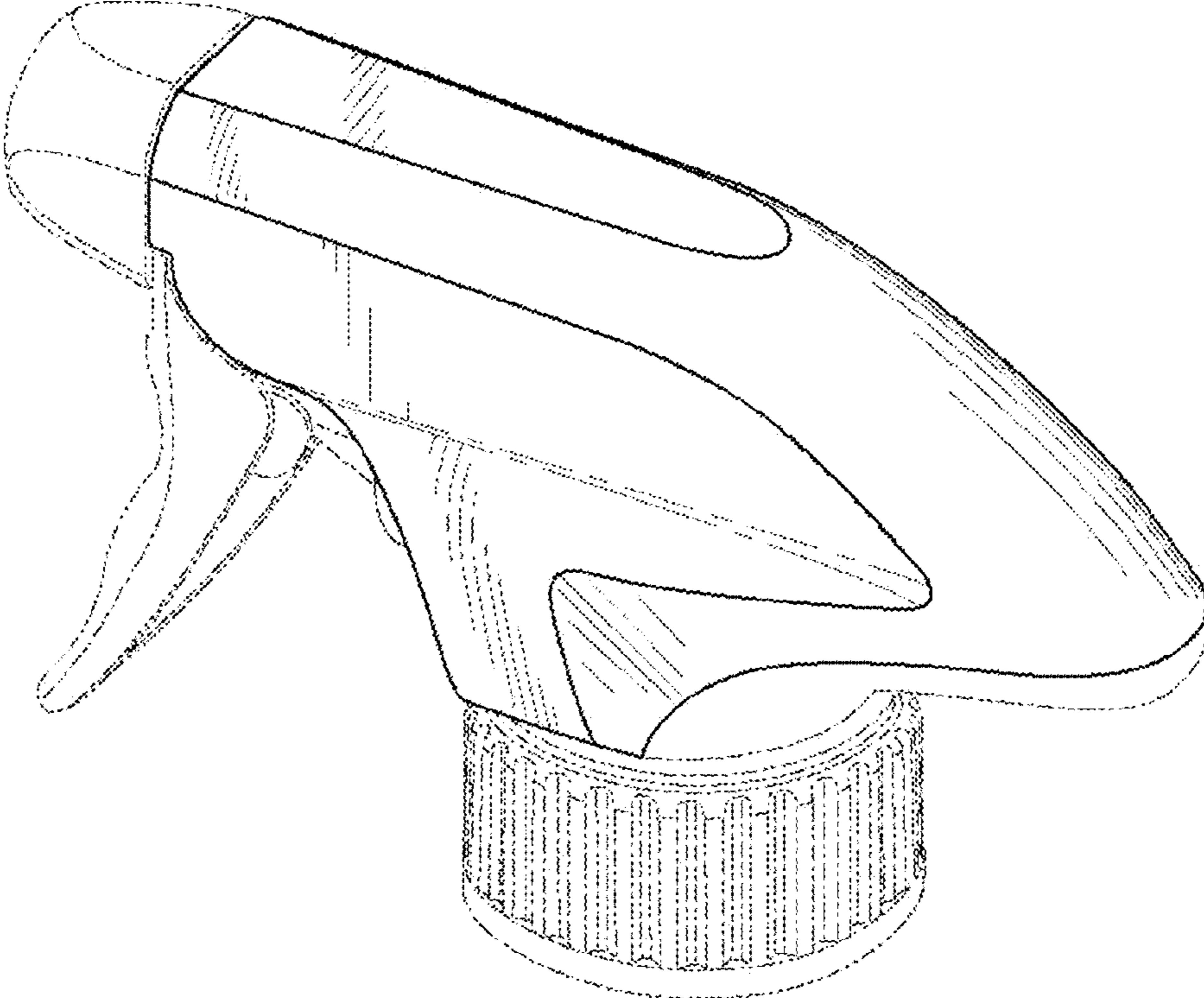


FIG. 3

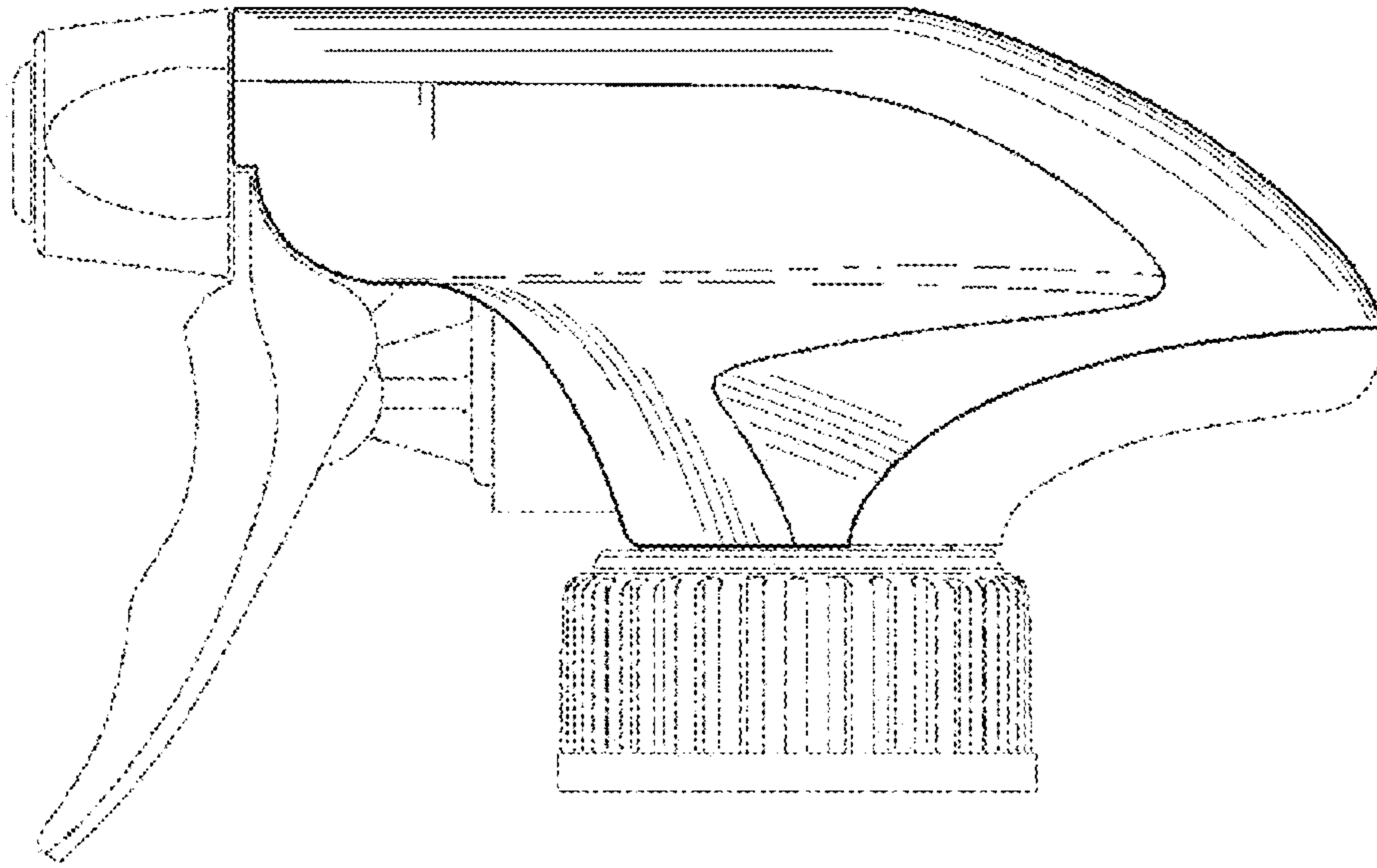


FIG. 4

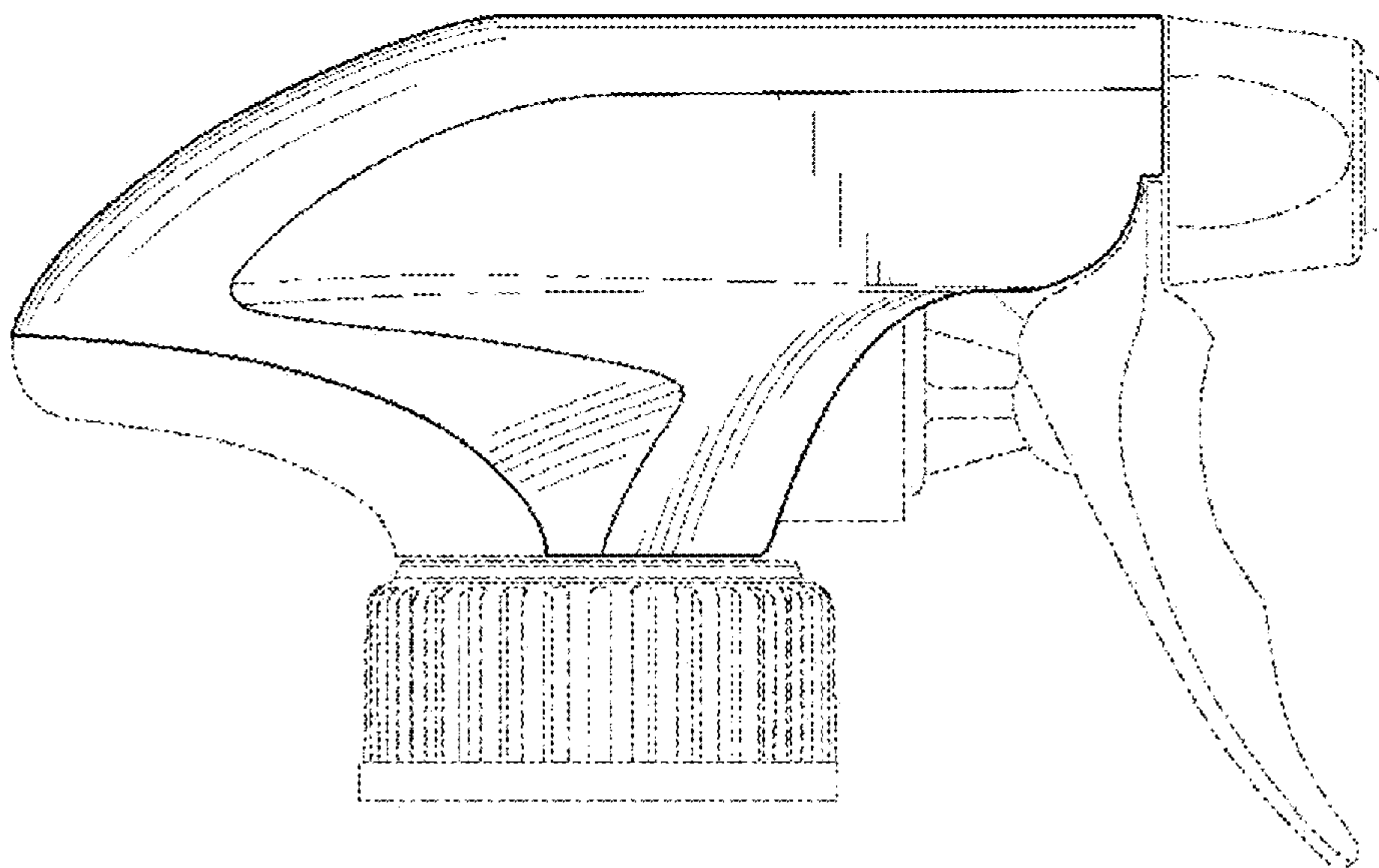


FIG. 5

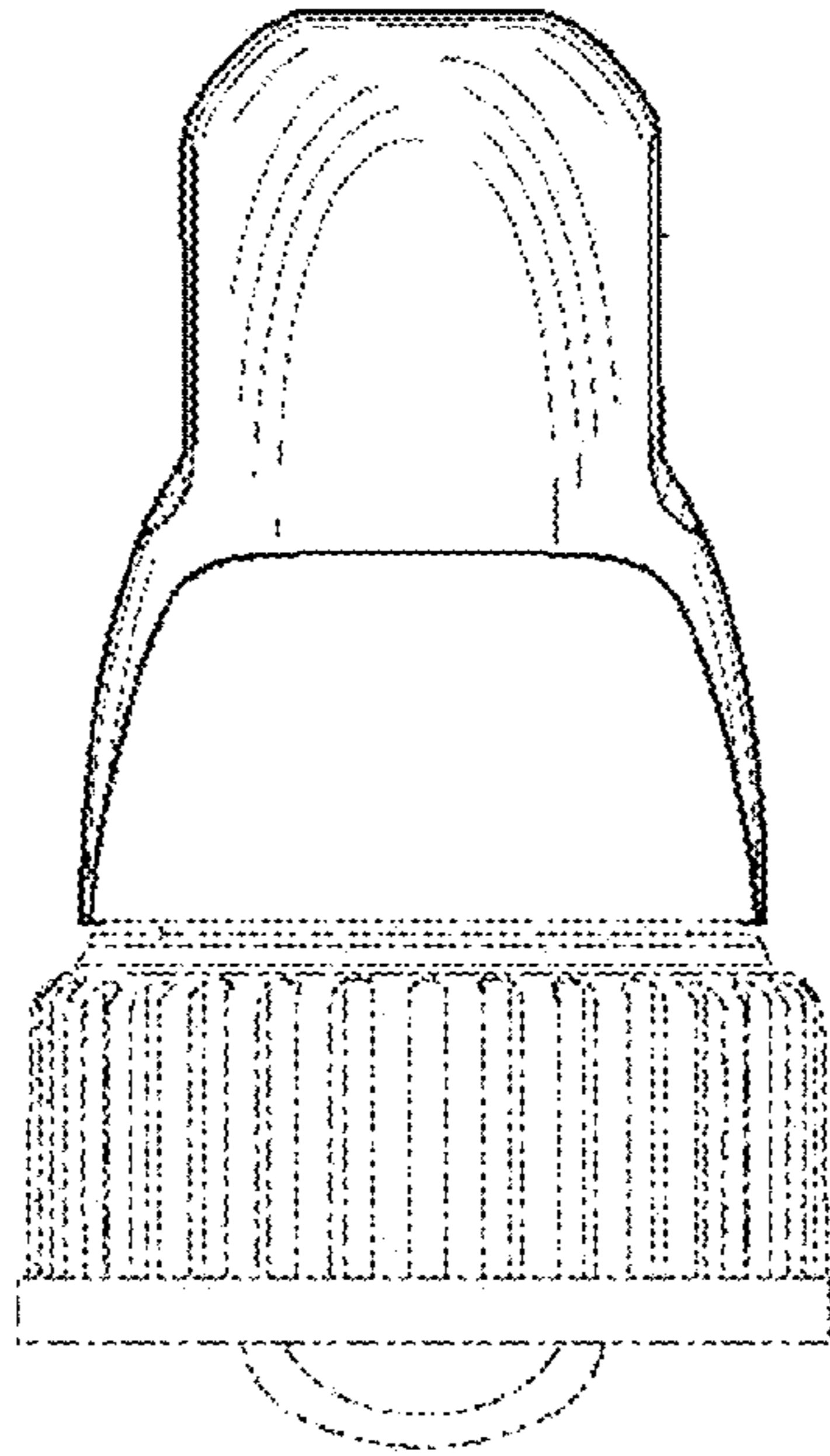


FIG. 6

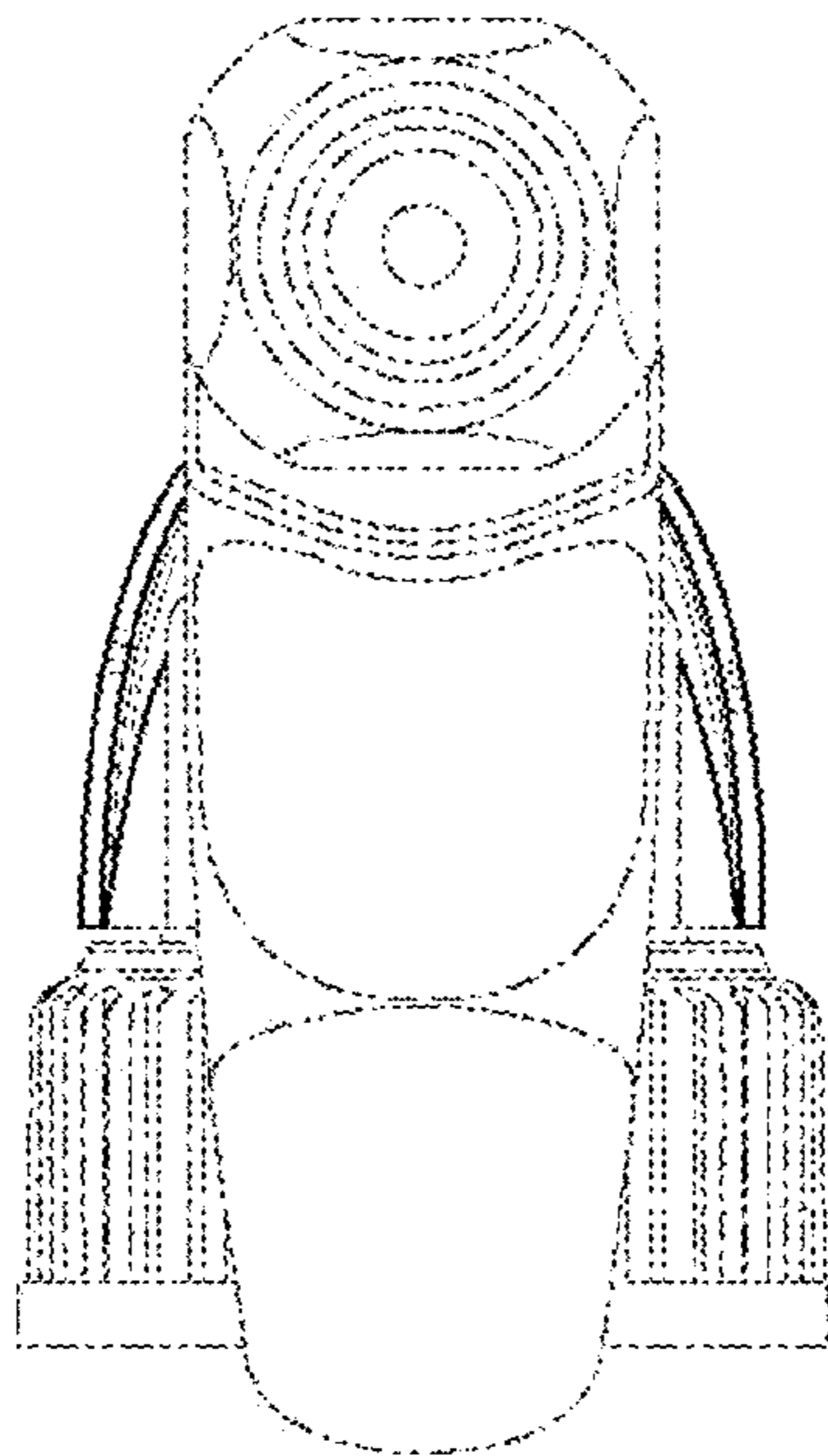


FIG. 7

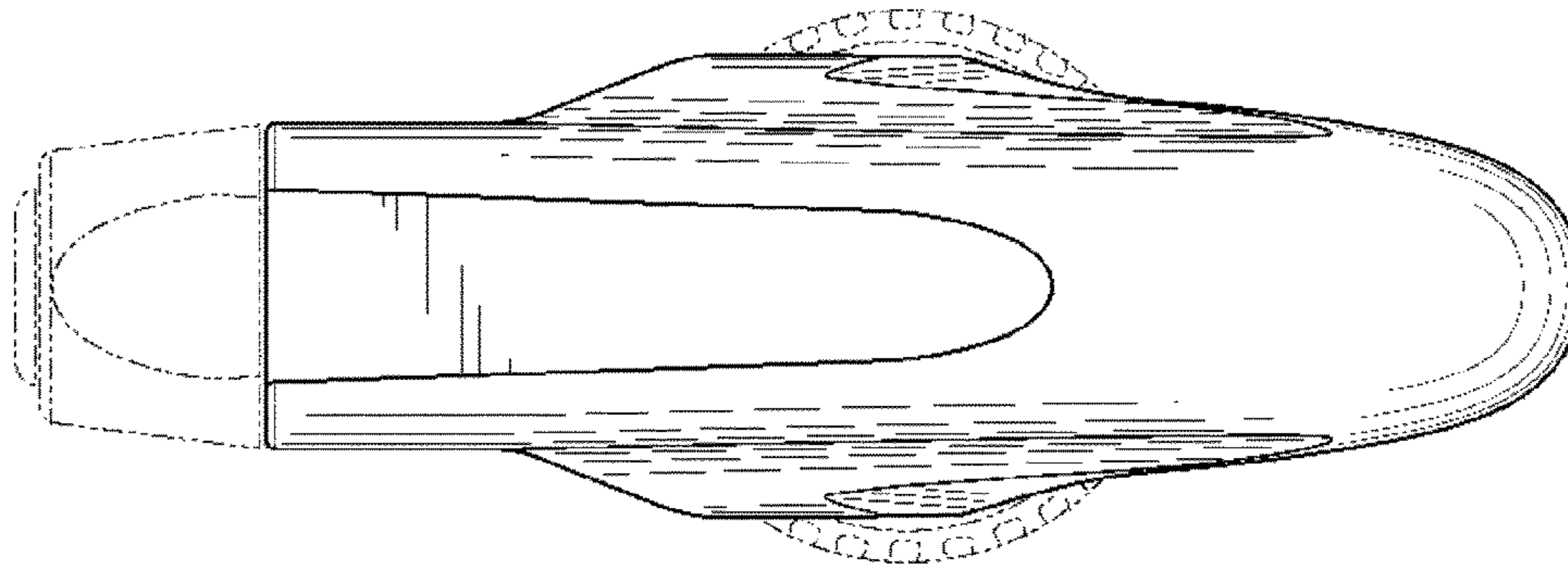


FIG. 8