



US00D700045S

(12) **United States Design Patent**  
**Ritter**

(10) **Patent No.:** **US D700,045 S**

(45) **Date of Patent:** **\*\* Feb. 25, 2014**

(54) **PAIR OF CLIMBING SKIN MOUNTING BRACKETS**

(71) Applicant: **William J Ritter**, Bozeman, MT (US)

(72) Inventor: **William J Ritter**, Bozeman, MT (US)

(\*\*) Term: **14 Years**

(21) Appl. No.: **29/441,132**

(22) Filed: **Dec. 31, 2012**

(51) **LOC (10) Cl.** ..... **08-05**

(52) **U.S. Cl.**  
USPC ..... **D8/373**

(58) **Field of Classification Search**  
USPC ..... D8/356, 367, 373; 248/301, 304,  
248/214–215

See application file for complete search history.

(56) **References Cited**

U.S. PATENT DOCUMENTS

D465,724 S \* 11/2002 Goodman et al. .... D8/367  
D468,624 S \* 1/2003 Goodman et al. .... D8/371

\* cited by examiner

*Primary Examiner* — Holly Baynham

(74) *Attorney, Agent, or Firm* — Lambert Patent Services LLC; K Karel Lambert

(57) **CLAIM**

The ornamental design for a pair of climbing skin mounting brackets, as shown and described.

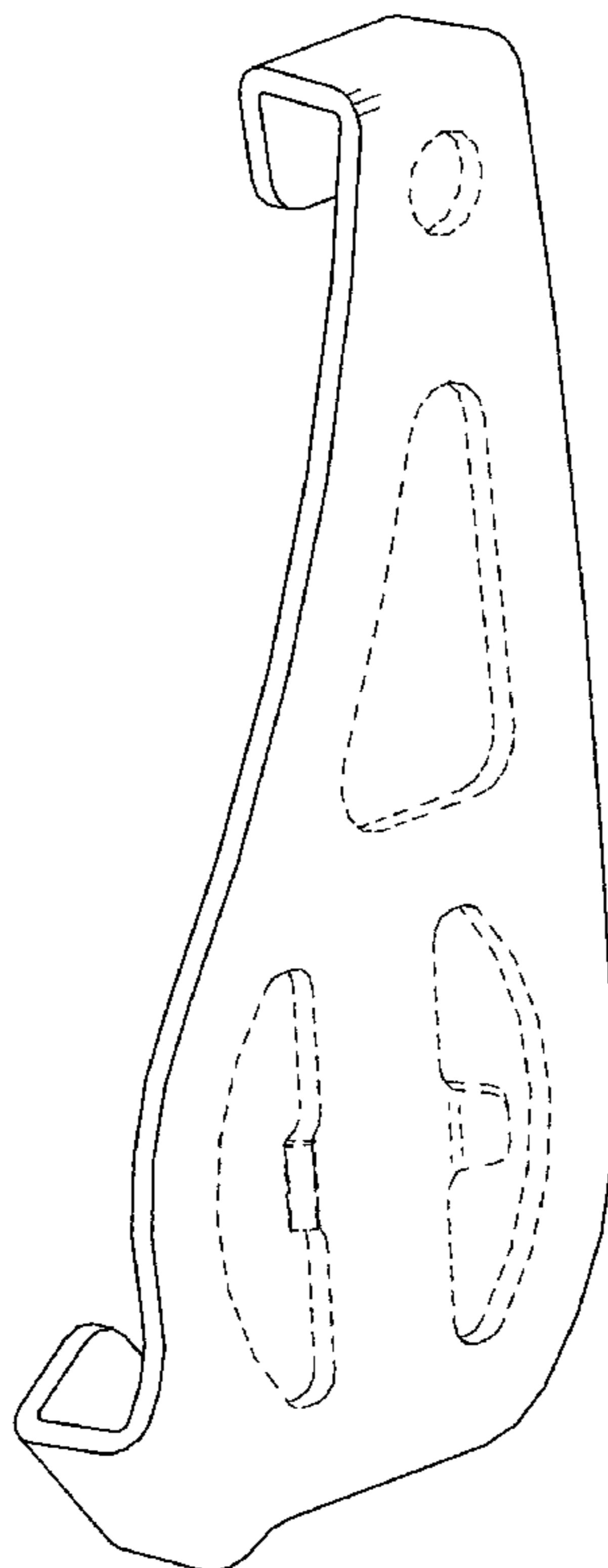
**DESCRIPTION**

FIG. 1 is a front perspective view of the left member of a pair of climbing skin mounting brackets, showing the new design; FIG. 2 is a rear perspective view thereof; FIG. 3 is a top plan view thereof; FIG. 4 is a bottom plan view thereof; FIG. 5 is a first side elevational view thereof; FIG. 6 is a second side elevational view thereof; FIG. 7 is a front side elevational view thereof; FIG. 8 is a rear side elevational view thereof; and, FIG. 9 is a perspective view thereof, shown in a position of use with climbing skin engaged thereto.

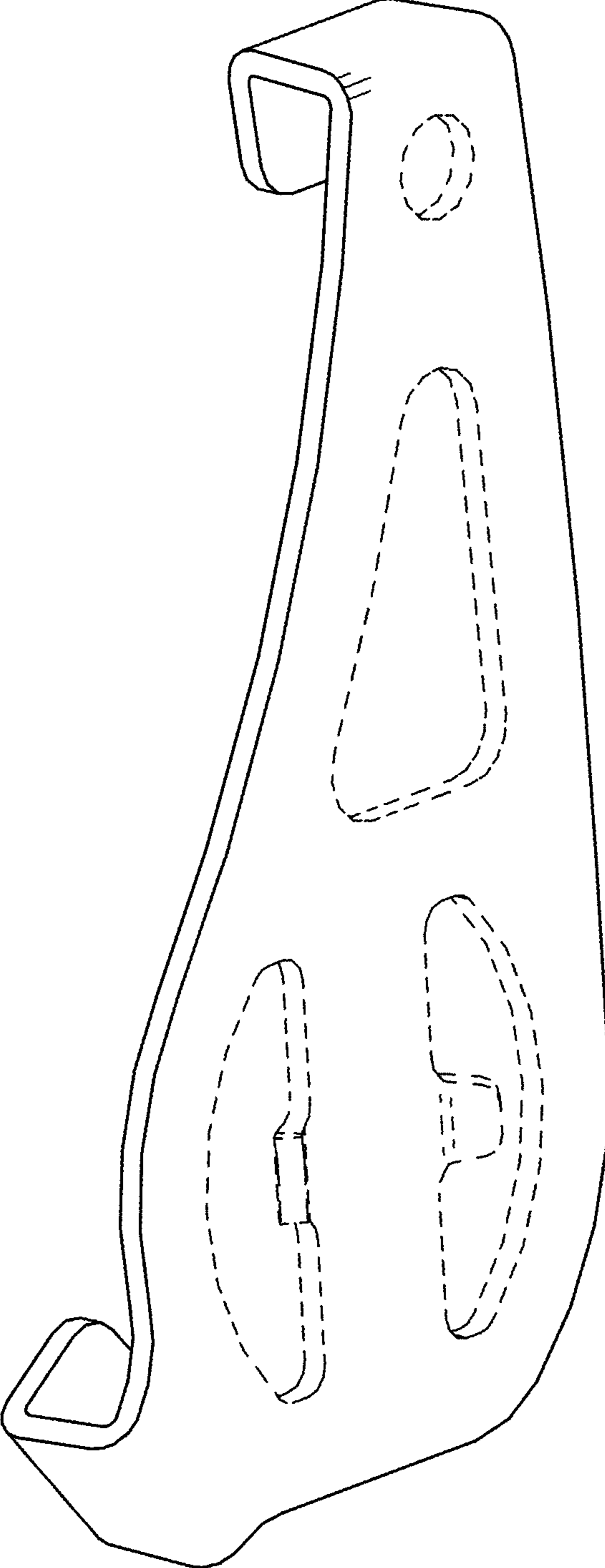
The drawings show the design of a left climbing skin mounting bracket suitable for being mounted on a left splitboard half. The ornamental design also includes a right climbing skin mounting bracket for being mounted on a right splitboard half, i.e., the right member being the mirror image of the left member depicted in FIGS. 1 through FIG. 7.

The broken lines showing openings are for the purposes of illustrating environment and form no part of the claimed design.

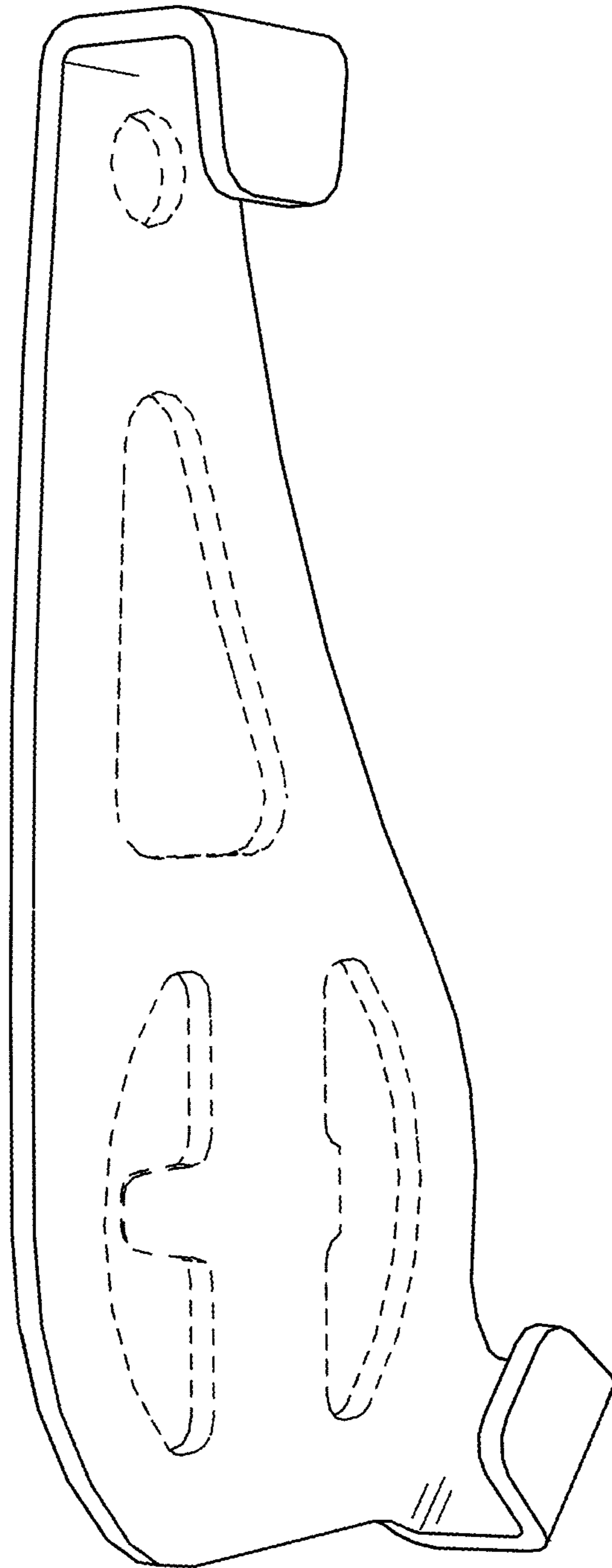
**1 Claim, 5 Drawing Sheets**

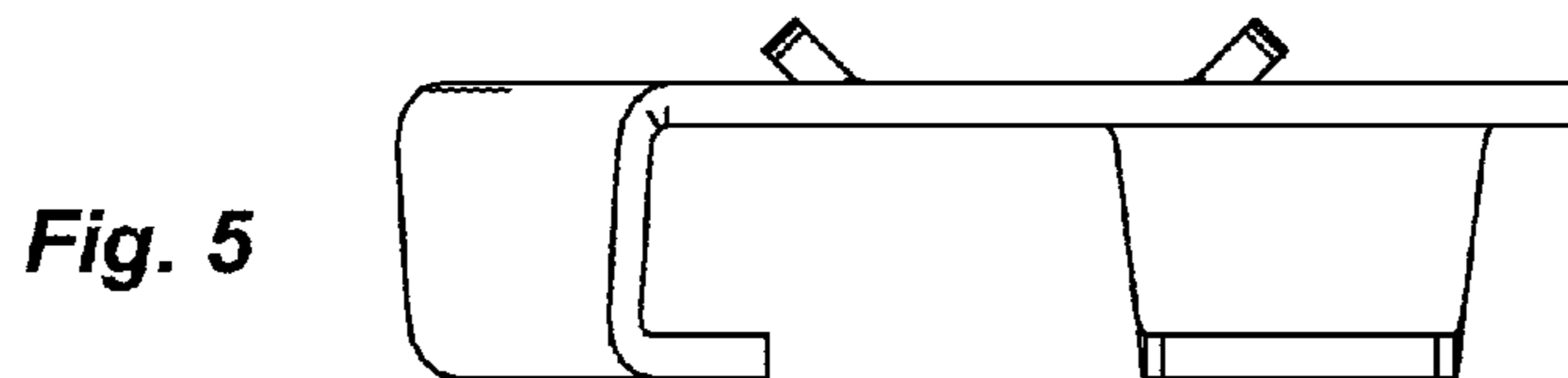
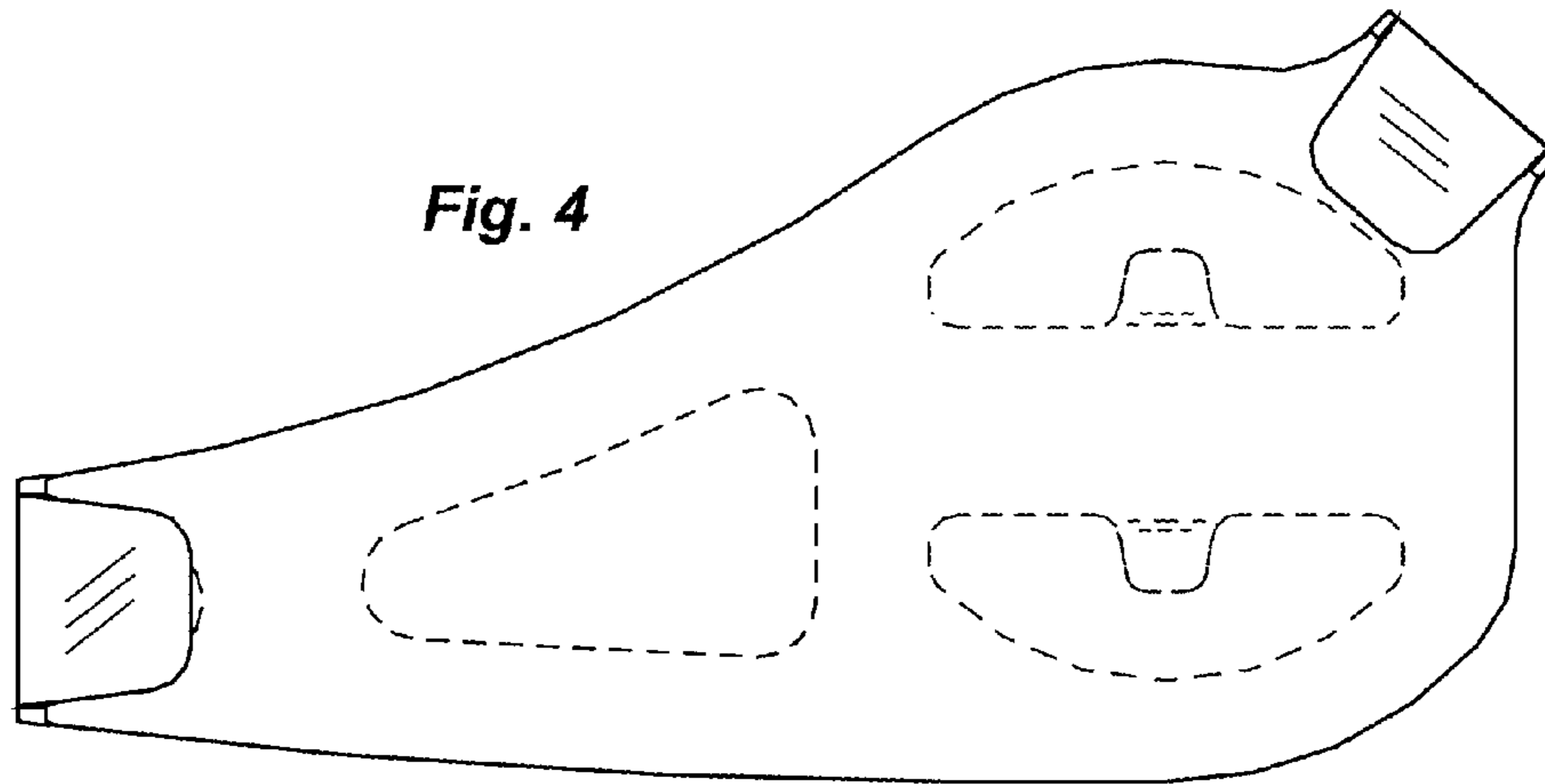
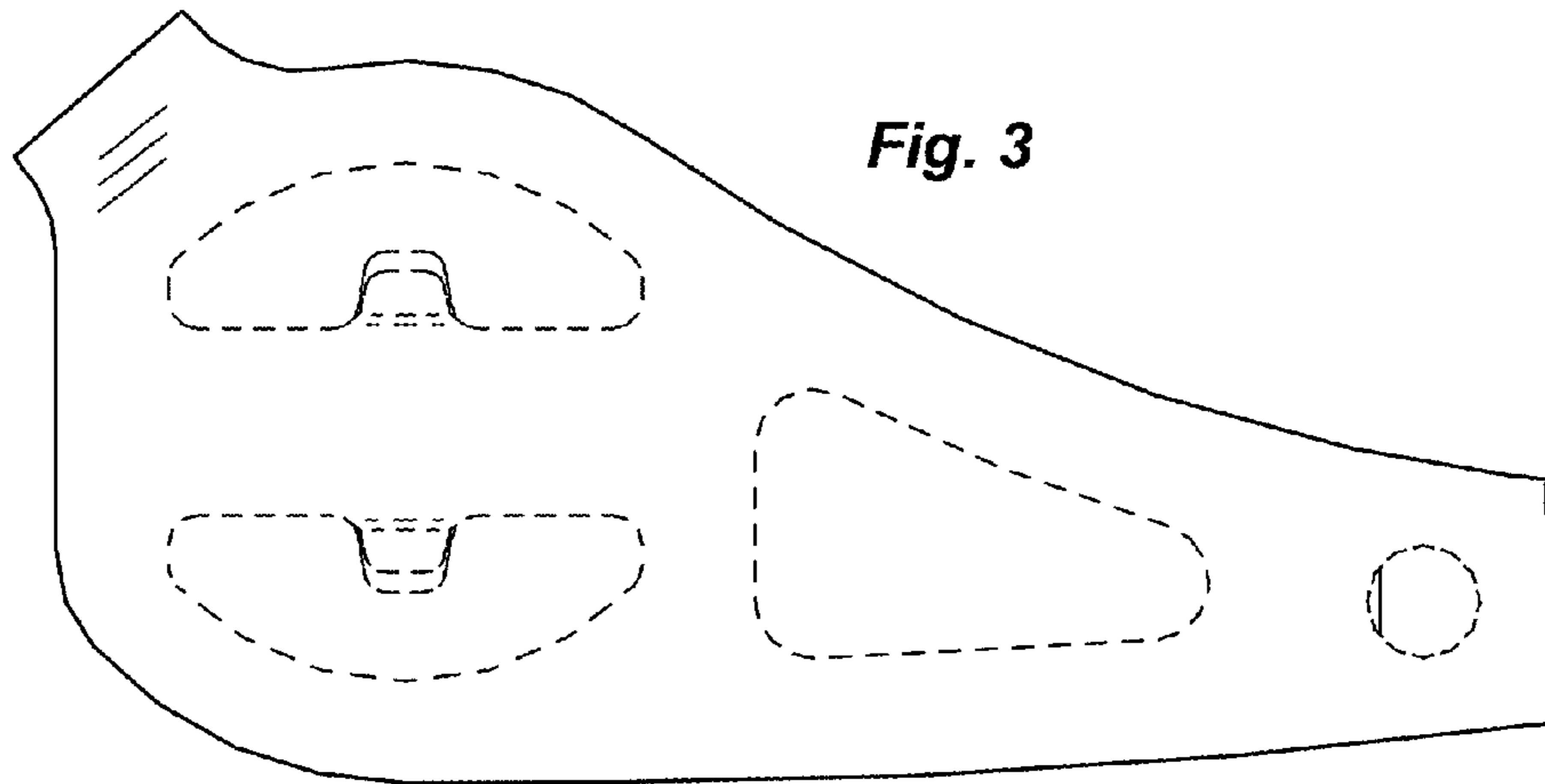


**Fig. 1**

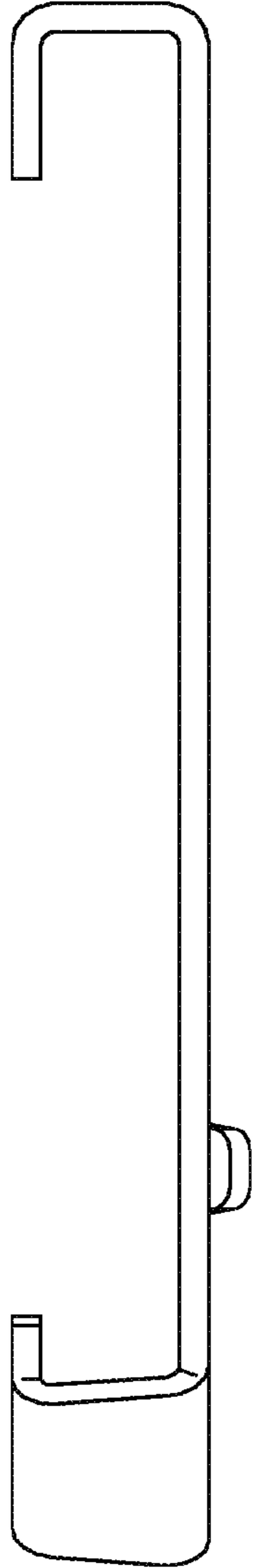


**Fig. 2**

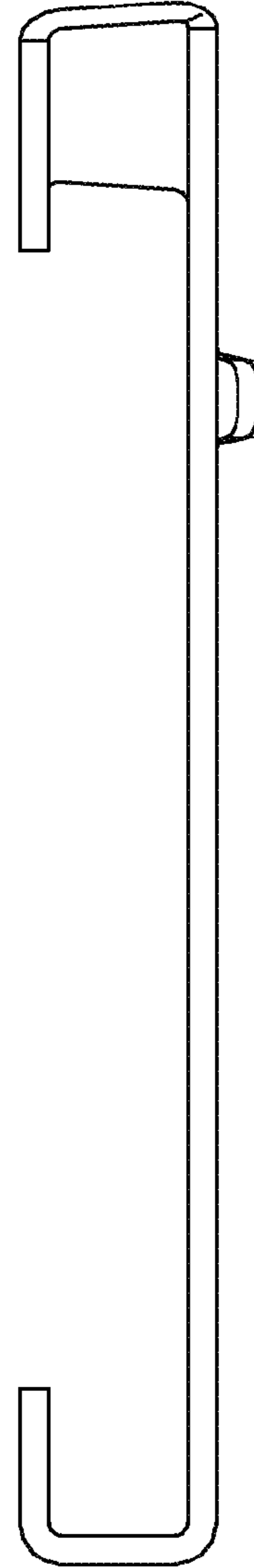




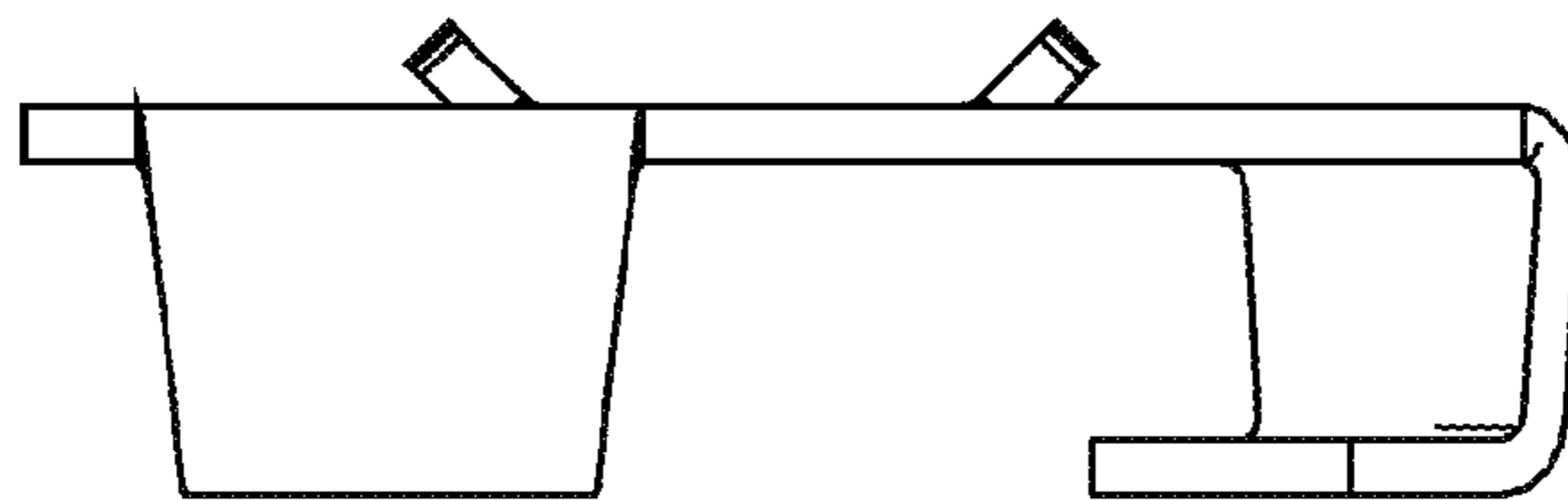
*Fig. 7*



*Fig. 8*



*Fig. 6*



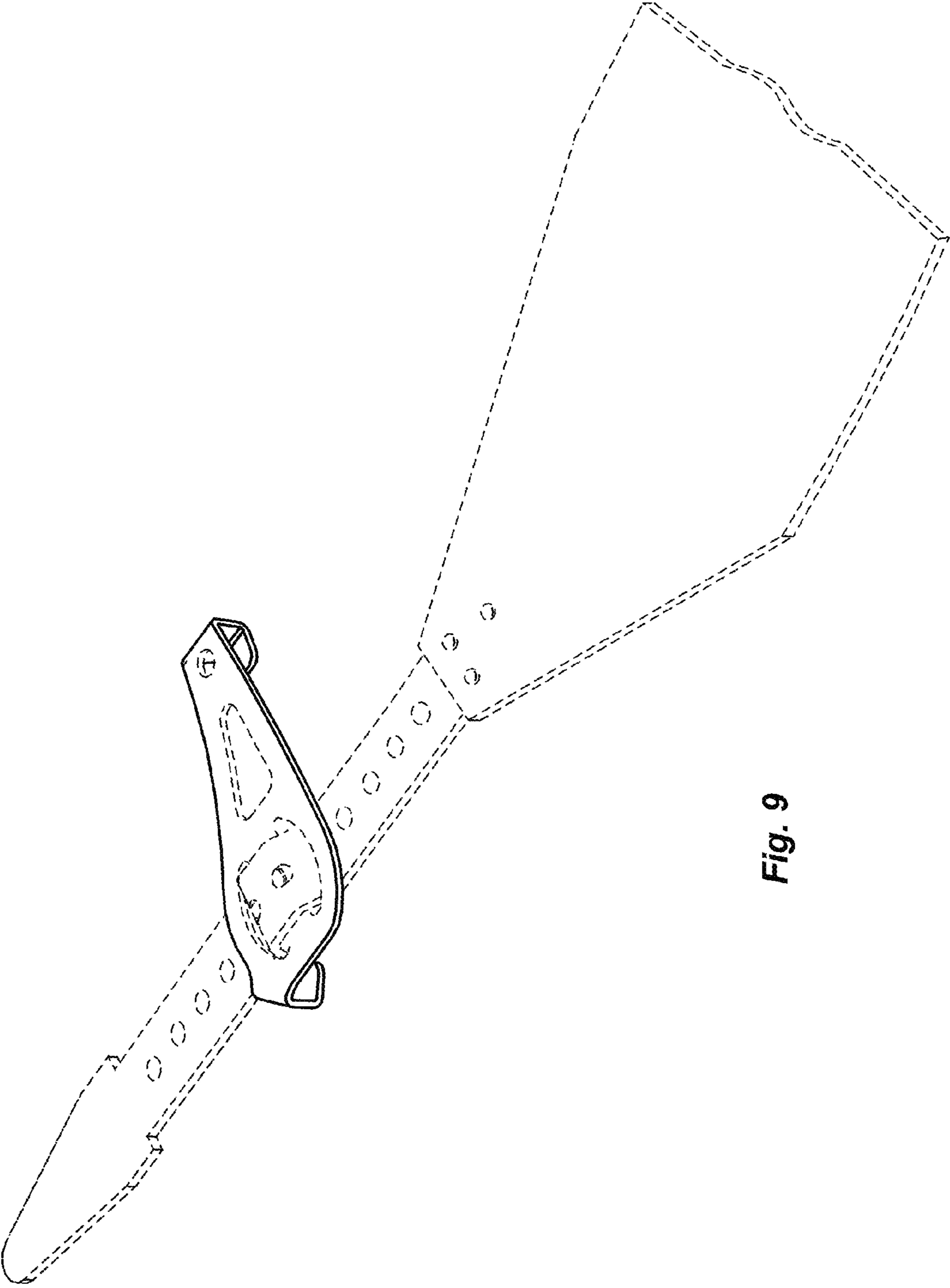


Fig. 9