



US00D700044S

(12) **United States Design Patent**
Goodman et al.

(10) **Patent No.:** **US D700,044 S**
(45) **Date of Patent:** **** Feb. 25, 2014**

(54) **DOUBLE HOOK**

(71) Applicant: **Spectrum Diversified Designs, Inc.**,
Streetsboro, OH (US)

(72) Inventors: **Sheldon H. Goodman**, Solon, OH (US);
Phaysouk Xayoiphonh, Akron, OH
(US)

(73) Assignee: **Spectrum Diversified Designs, Inc.**,
Streetsboro, OH (US)

(**) Term: **14 Years**

(21) Appl. No.: **29/447,193**

(22) Filed: **Mar. 1, 2013**

(51) **LOC (10) Cl.** **08-05**

(52) **U.S. Cl.**
USPC **D8/372; D8/367**

(58) **Field of Classification Search**
USPC **D8/367, 354, 349, 373, 372; D6/323;**
248/301-304, 339, 205.3
See application file for complete search history.

(56) **References Cited**

U.S. PATENT DOCUMENTS

D317,858 S * 7/1991 Hoskinson et al. D8/370
D319,002 S * 8/1991 Mirza et al. D8/373

D432,316 S * 10/2000 Duggan D6/317
D524,636 S * 7/2006 Burnett D8/370
D557,120 S * 12/2007 Snell D8/372
D591,143 S * 4/2009 Ernst et al. D8/372
D613,588 S * 4/2010 Goodman et al. D8/367
D614,480 S * 4/2010 Goodman et al. D8/372
D635,846 S * 4/2011 Klein et al. D8/372
D646,960 S * 10/2011 Goodman et al. D8/372
D680,421 S * 4/2013 Martin et al. D8/372

* cited by examiner

Primary Examiner — Cynthia Underwood

(74) *Attorney, Agent, or Firm* — Benesch Friedlander
Coplan & Aronoff LLP

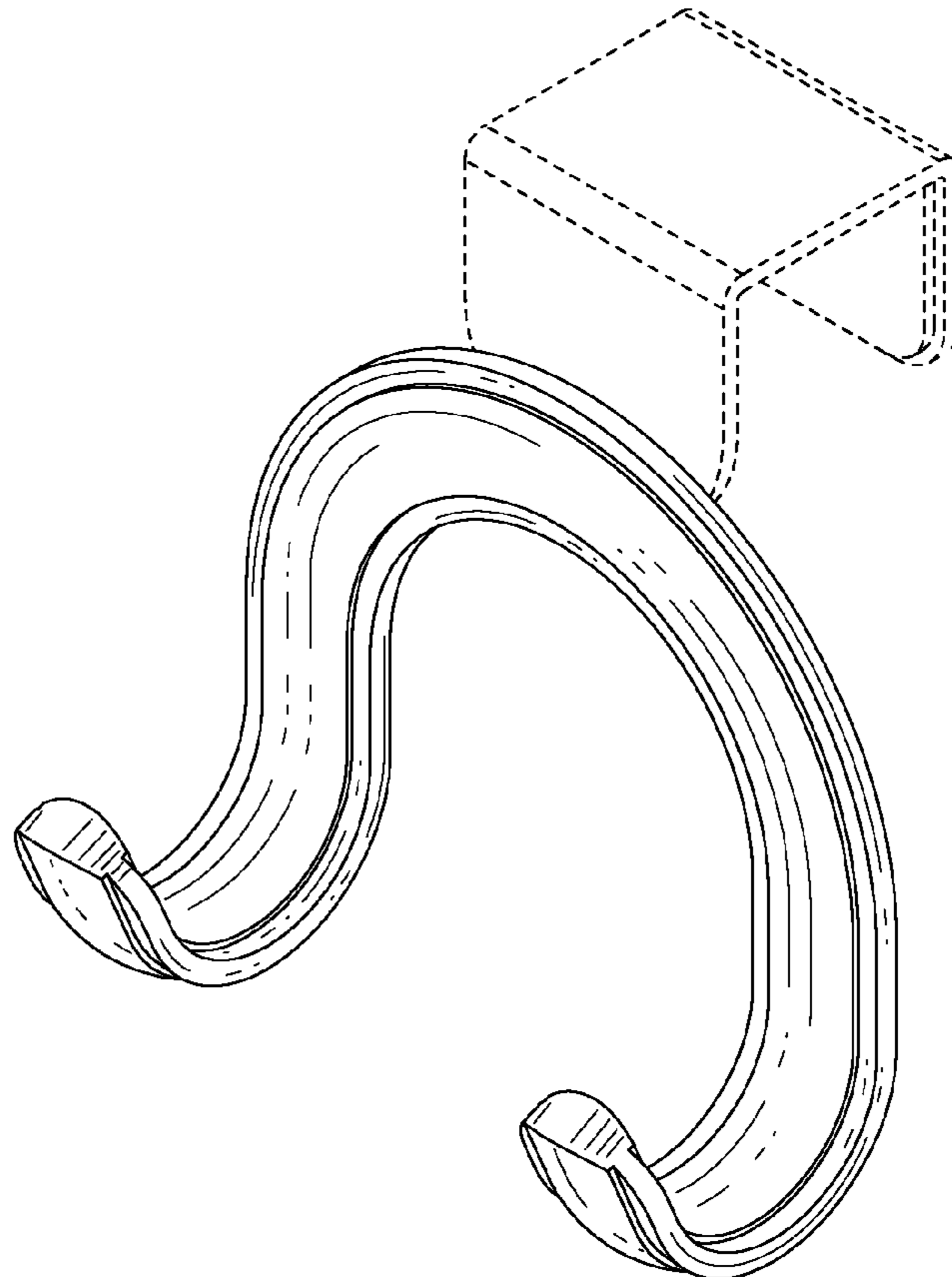
(57) **CLAIM**

The ornamental design for a double hook, as shown and
described.

DESCRIPTION

FIG. 1 is a perspective view of a double hook showing a new
design;
FIG. 2 is a front view of the double hook of FIG. 1;
FIG. 3 is a side view of the double hook of FIG. 1;
FIG. 4 is a rear view of the double hook of FIG. 1; and,
FIG. 5 is a cross-sectional view taken along line 5-5 in FIG. 4.
The components of the display shown in broken lines illus-
trate portions of the double hook which form no part of the
claimed design.

1 Claim, 2 Drawing Sheets



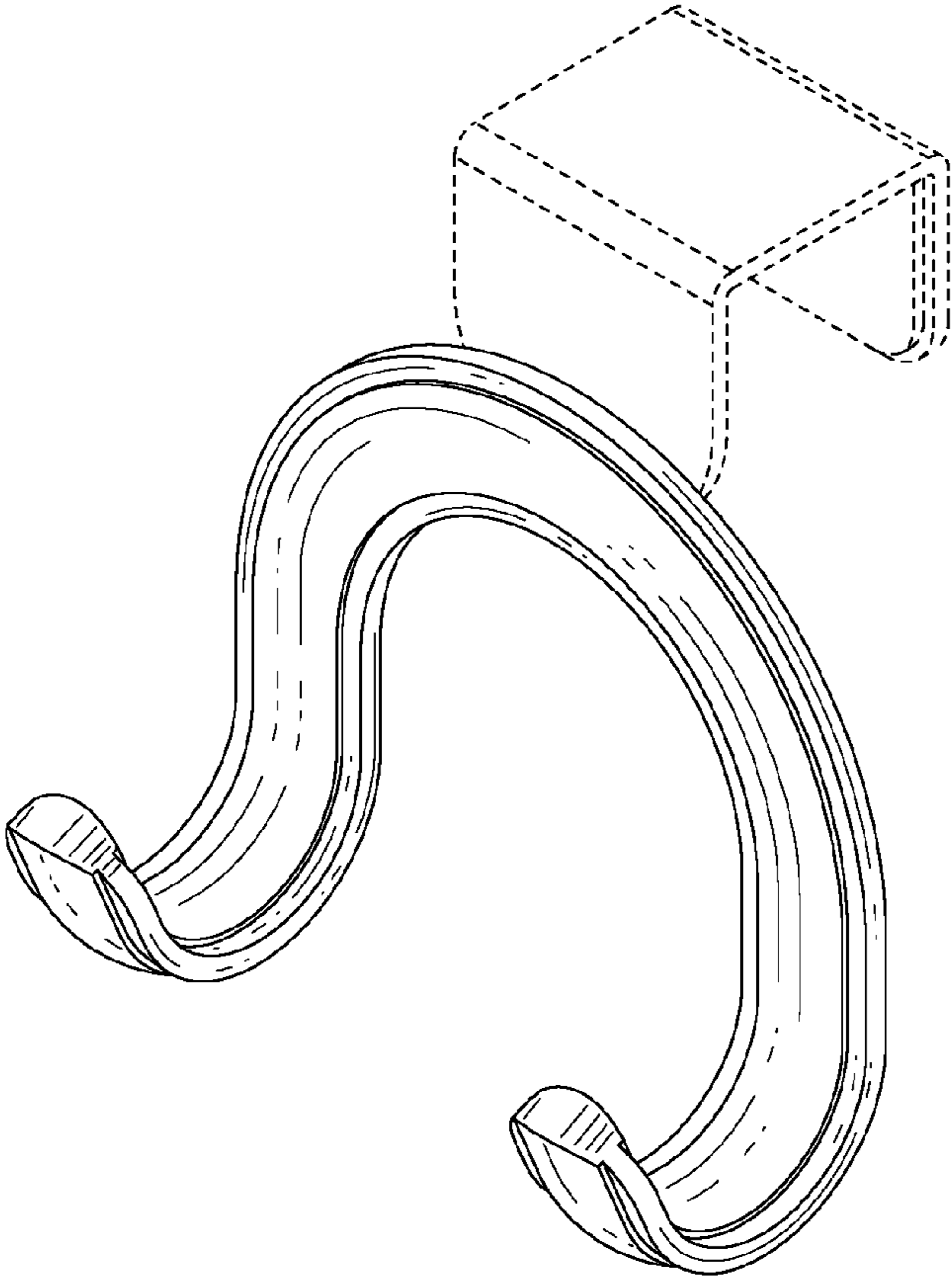


FIG 1

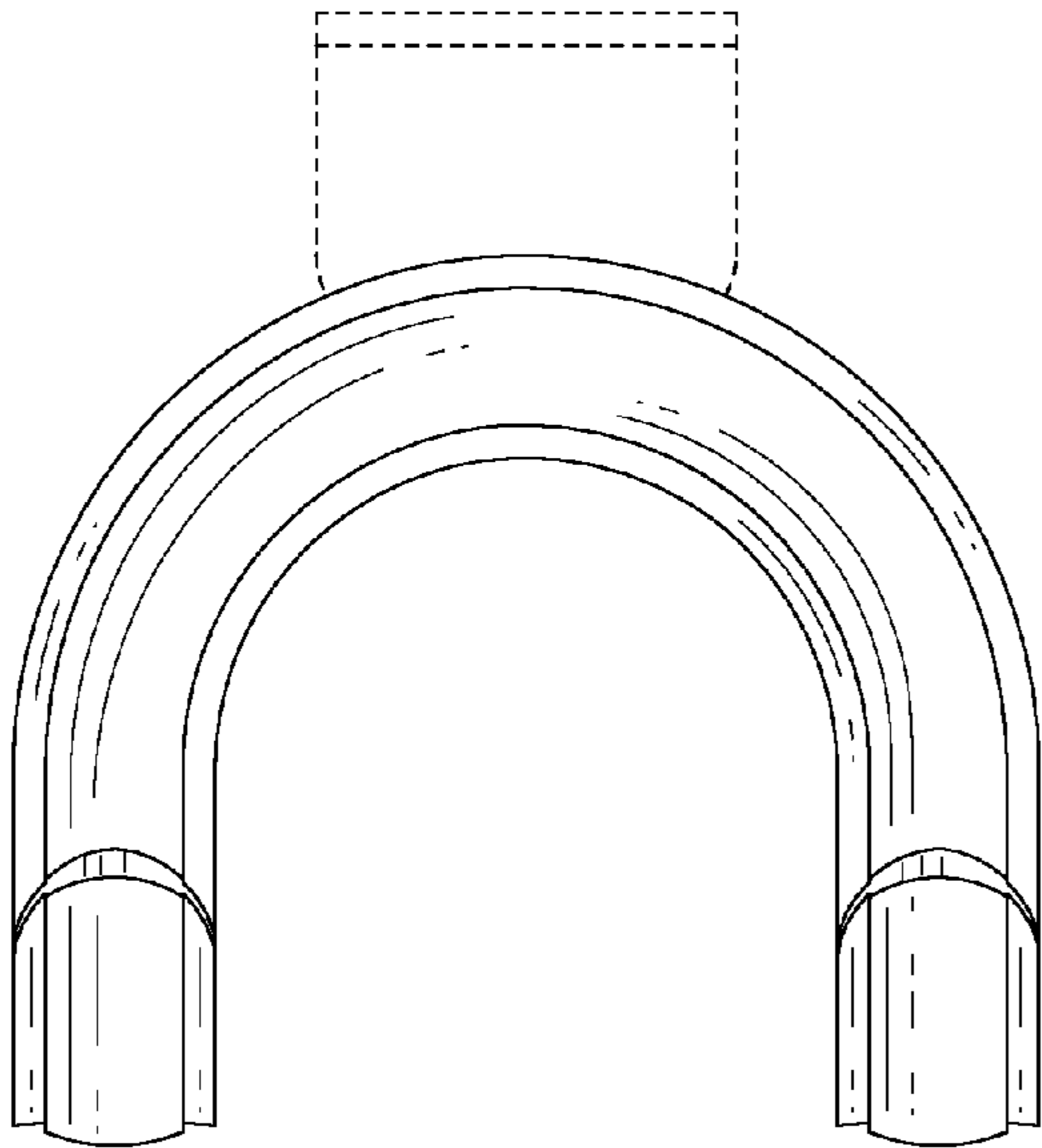


FIG 2

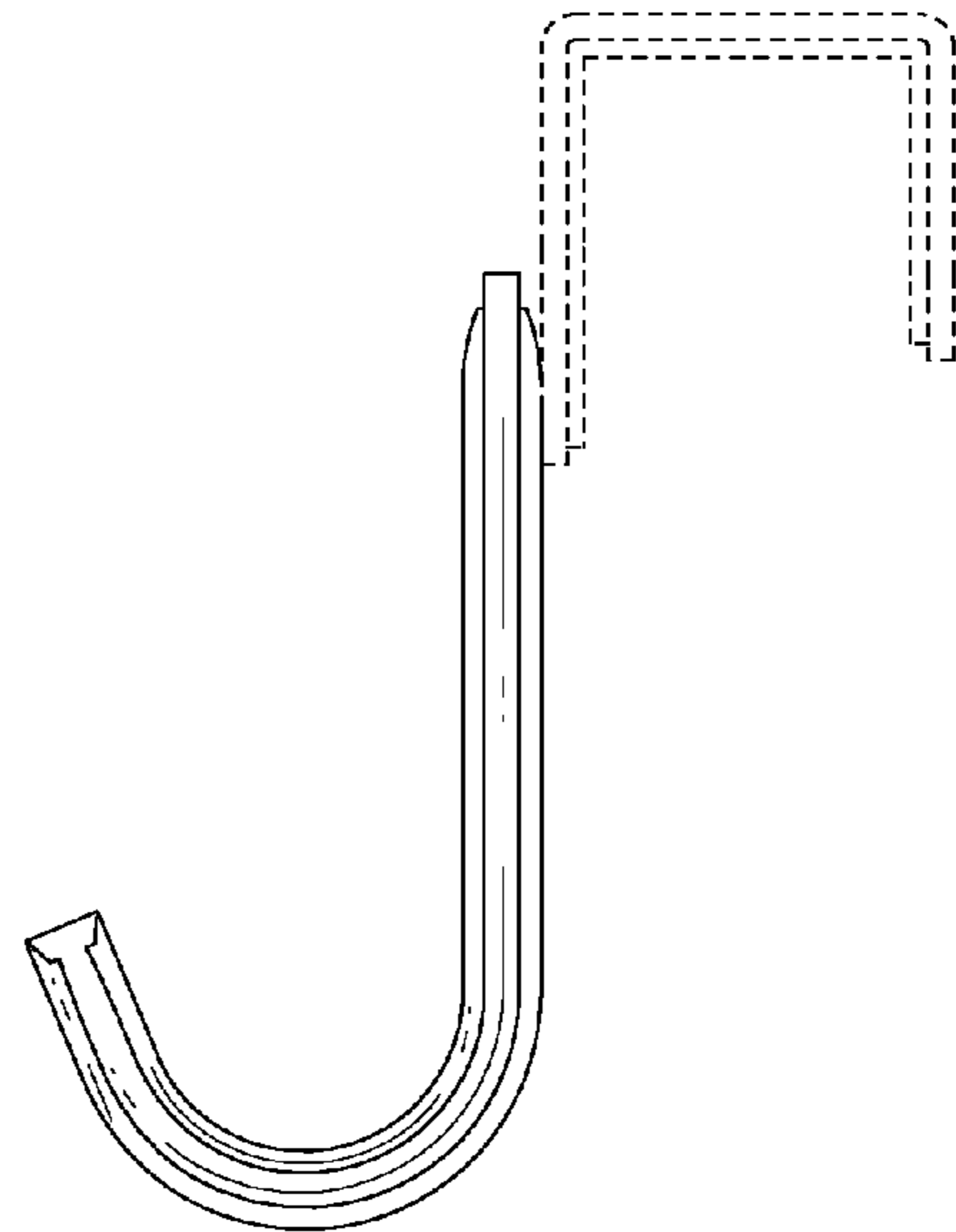


FIG 3

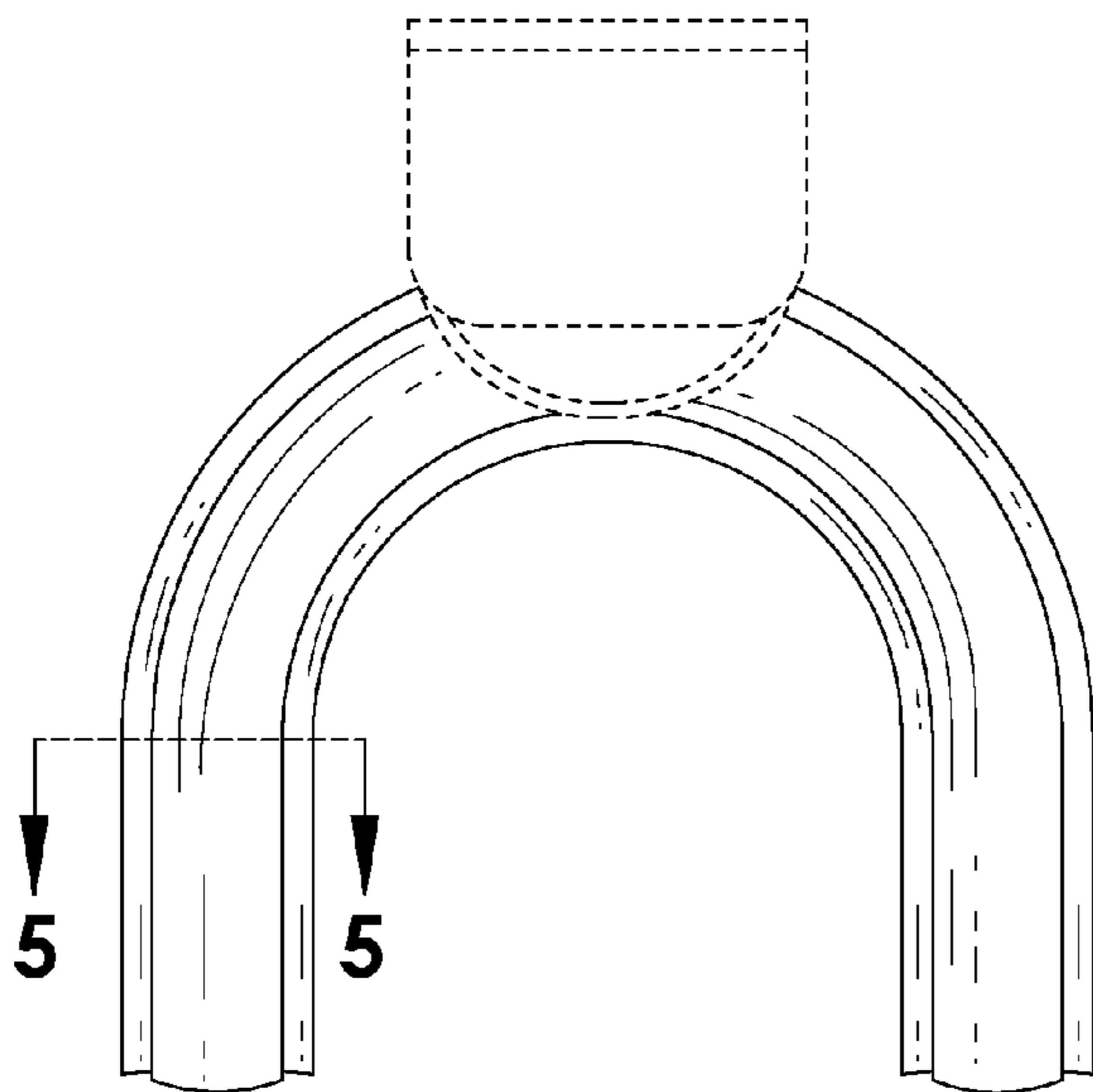


FIG 4

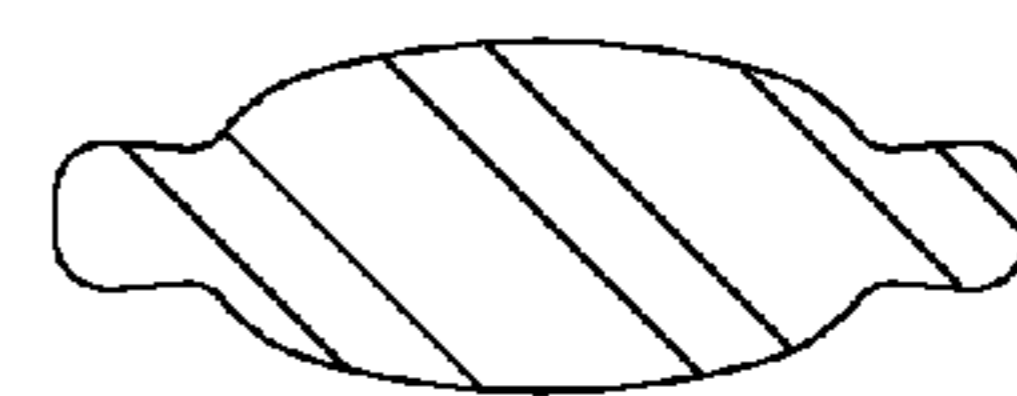


FIG 5