



US00D700043S

(12) **United States Design Patent**
Paik et al.

(10) **Patent No.:** **US D700,043 S**

(45) **Date of Patent:** **** Feb. 25, 2014**

(54) **SLOTTED MINI-HOOK**

(71) Applicants: **Jisook Paik**, Seoul (KR); **Nan Hee Paik**, Seoul (KR); **Ji Hye Paik**, Seoul (KR); **Ji Won Son**, Seoul (KR)

(72) Inventors: **Jisook Paik**, Seoul (KR); **Nan Hee Paik**, Seoul (KR); **Ji Hye Paik**, Seoul (KR); **Ji Won Son**, Seoul (KR)

(**) Term: **14 Years**

(21) Appl. No.: **29/455,187**

(22) Filed: **May 17, 2013**

(30) **Foreign Application Priority Data**

Dec. 15, 2012 (KR) 30-2012-0060633

(51) **LOC (10) Cl.** **08-05**

(52) **U.S. Cl.**
USPC **D8/367**

(58) **Field of Classification Search**
USPC D8/367, 354, 349, 373, 372; D6/323;
248/301-304, 339, 205.3
See application file for complete search history.

(56) **References Cited**

U.S. PATENT DOCUMENTS

4,095,316	A	*	6/1978	Gabriel	24/599.1
D282,904	S	*	3/1986	Faidide	D8/367
D307,705	S	*	5/1990	Mair	D8/367
D375,252	S	*	11/1996	Serra Fabregas	D8/356
D407,297	S	*	3/1999	Mihailovic	D8/367
D468,997	S	*	1/2003	Chang	D8/356
D527,988	S	*	9/2006	Shetler	D8/356
D556,550	S	*	12/2007	Hung	D8/367

D565,392	S	*	4/2008	Shetler	D8/356
D655,999	S	*	3/2012	Kelleghan	D8/356
D668,528	S	*	10/2012	Chung	D8/356
D671,293	S	*	11/2012	Fredriksson	D34/35
2008/0209700	A1	*	9/2008	Goldberg	24/599.6

* cited by examiner

Primary Examiner — Cynthia Underwood

(74) *Attorney, Agent, or Firm* — Novick, Kim & Lee, PLLC; Jae Youn Kim

(57) **CLAIM**

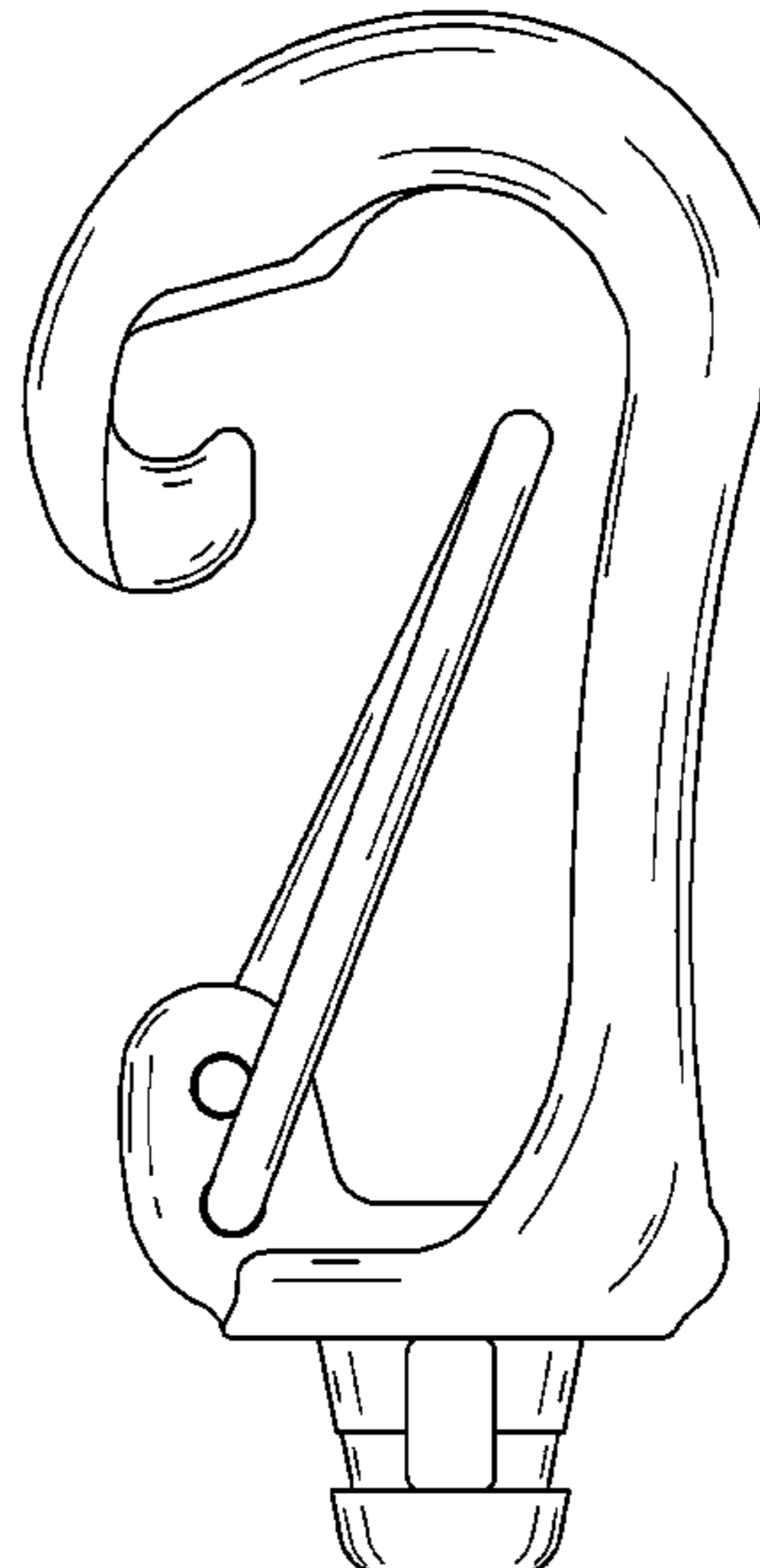
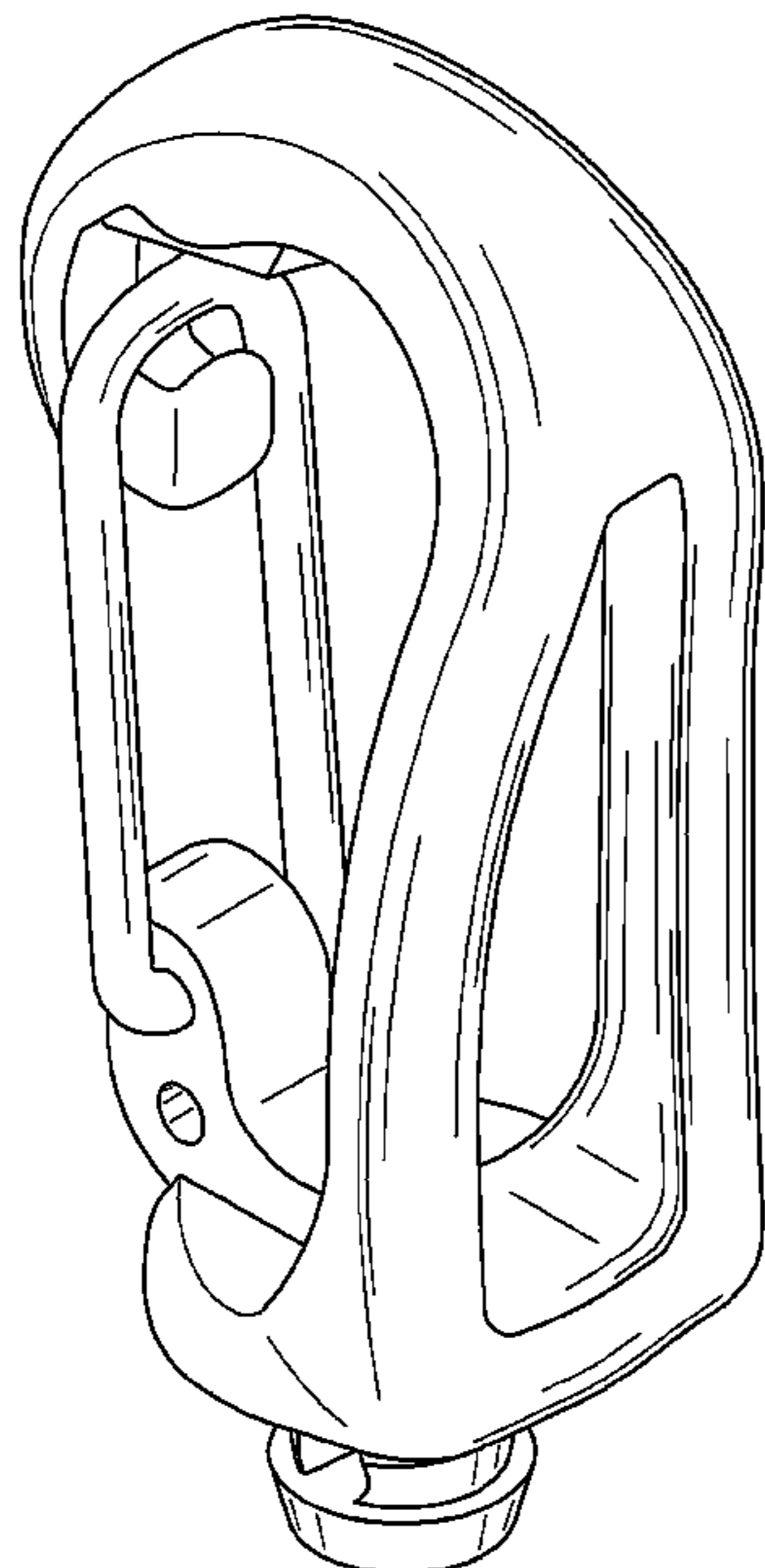
I claim, the ornamental design for a slotted mini-hook, as shown and described.

DESCRIPTION

FIG. 1 is a perspective view of a slotted mini-hook, showing my new design;
FIG. 2 is a front elevational view thereof;
FIG. 3 is a rear elevational view thereof;
FIG. 4 is a left side elevational view thereof;
FIG. 5 is a right side elevational view thereof;
FIG. 6 is a top plan view thereof;
FIG. 7 is a bottom plan view thereof;
FIG. 8 is an A-A sectional view thereof.
FIG. 9 is a rear elevational view thereof, showing the slotted mini-hook in the unclapsed position; and,
FIG. 10 is a perspective view thereof, showing the slotted mini-hook in the clapsed position and showing the surrounding environment.

The broken lines in FIG. 10 of the drawings show the environmental structure of the design and form no part of the design to be patented.

1 Claim, 9 Drawing Sheets



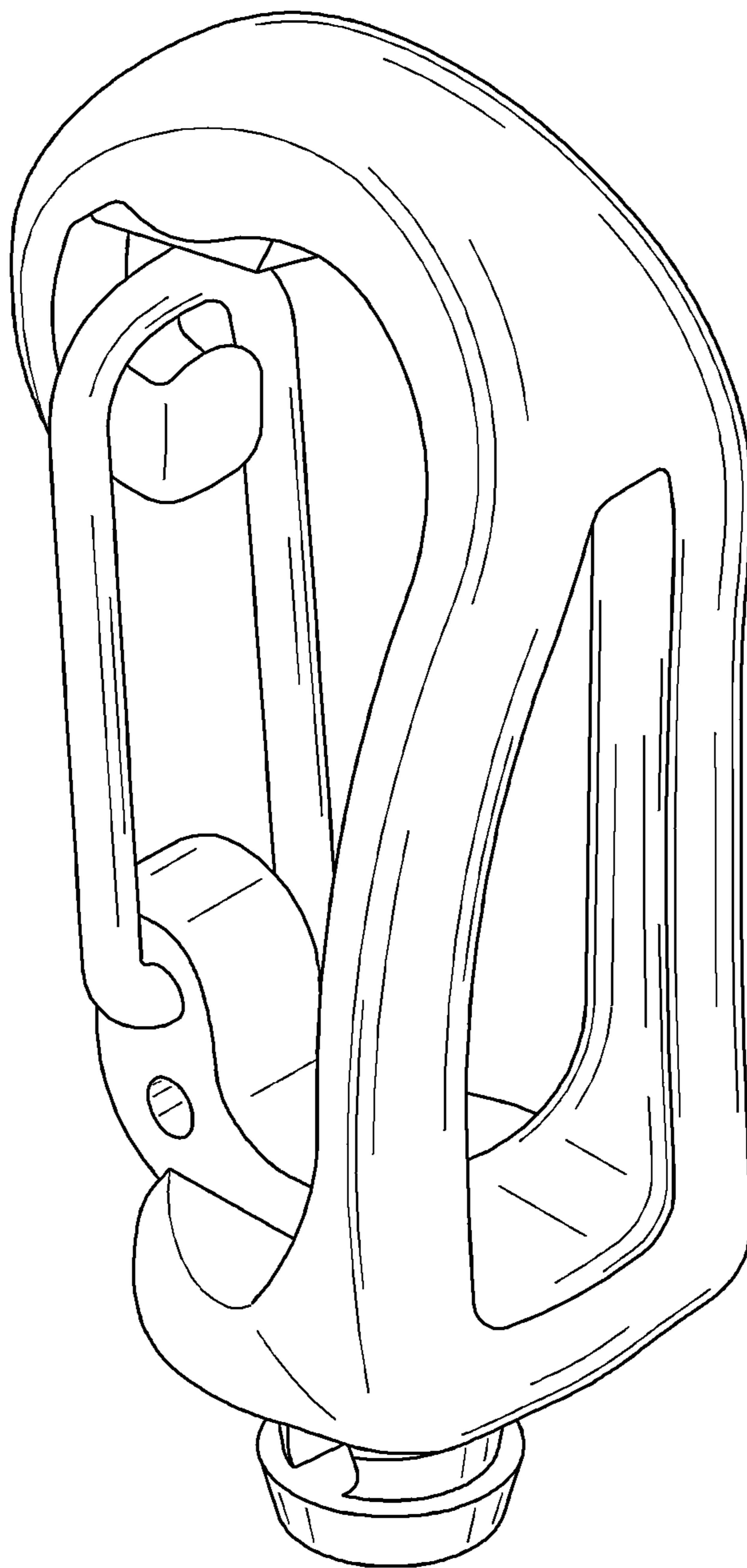


FIG. 1

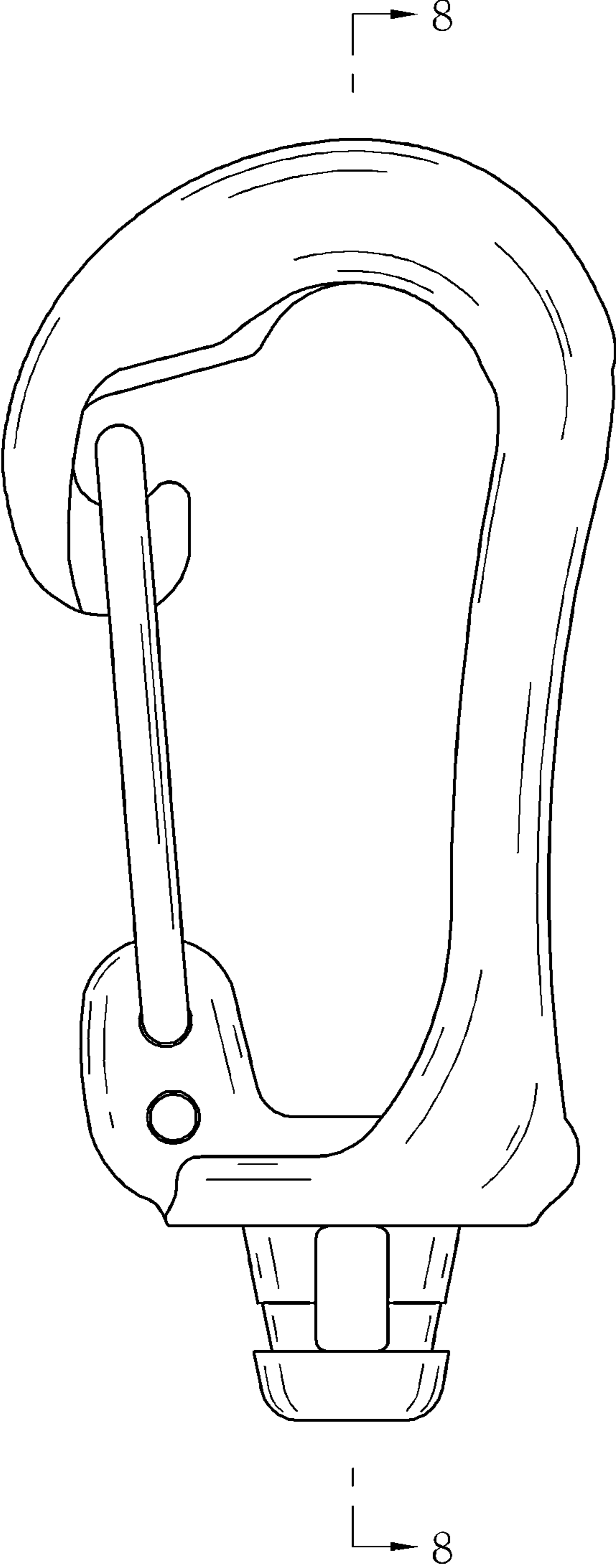


FIG. 2

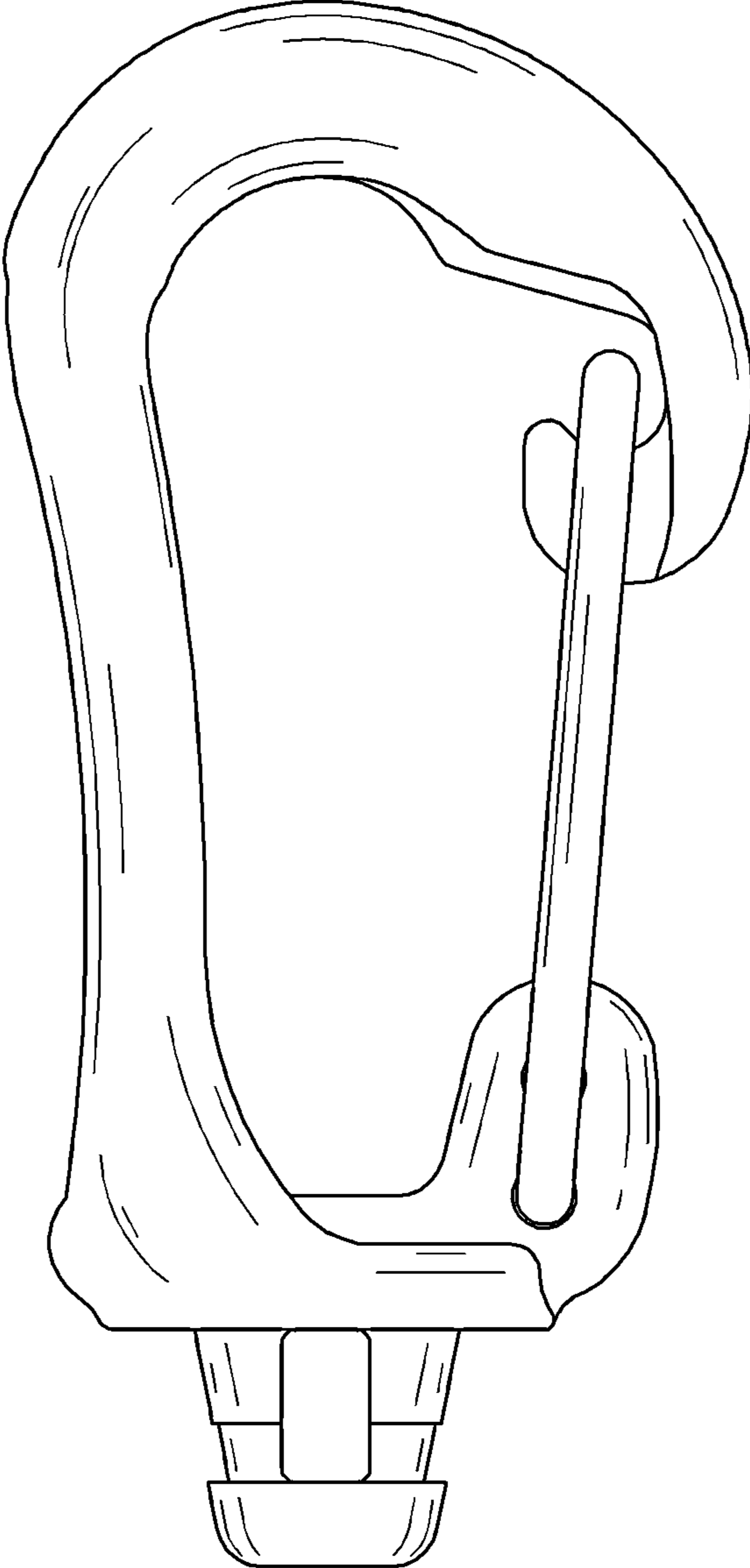


FIG. 3

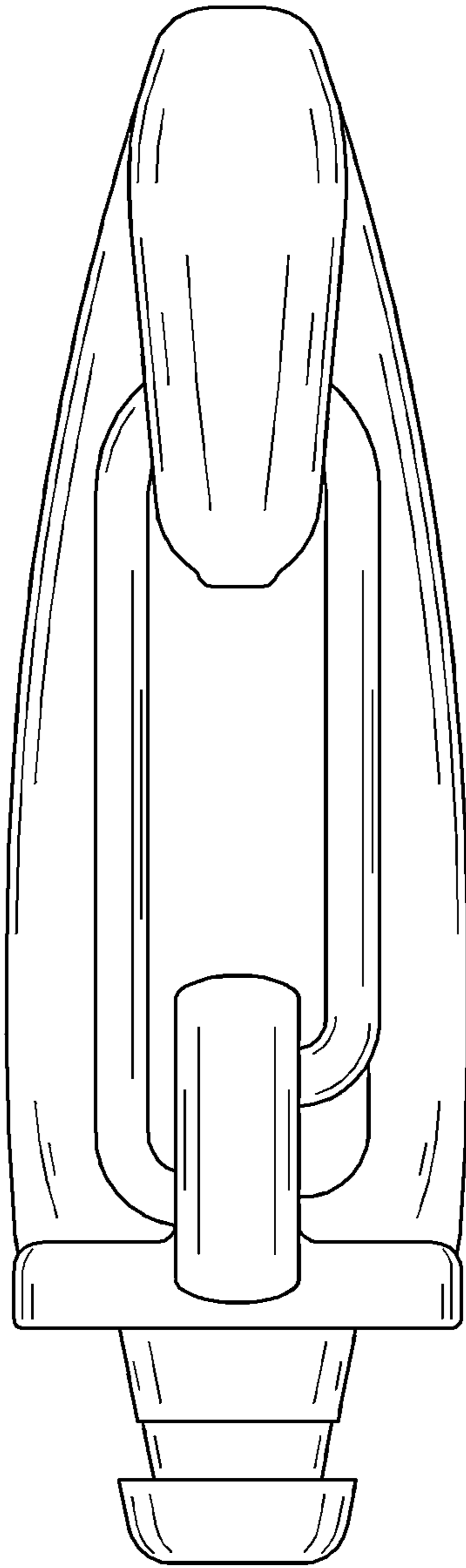


FIG. 4

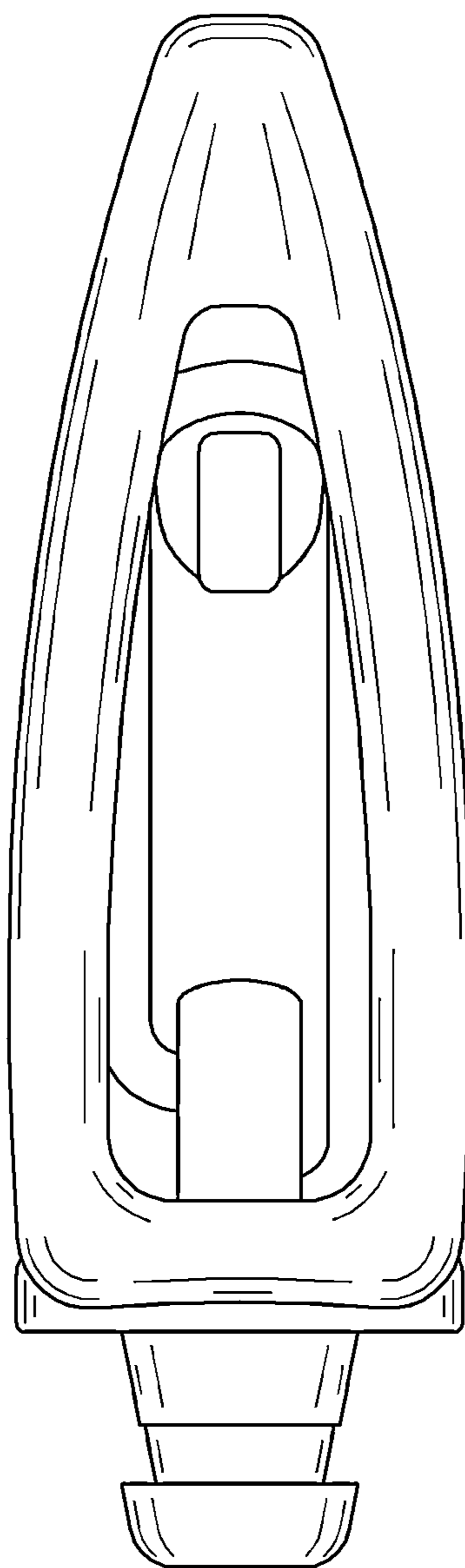


FIG. 5

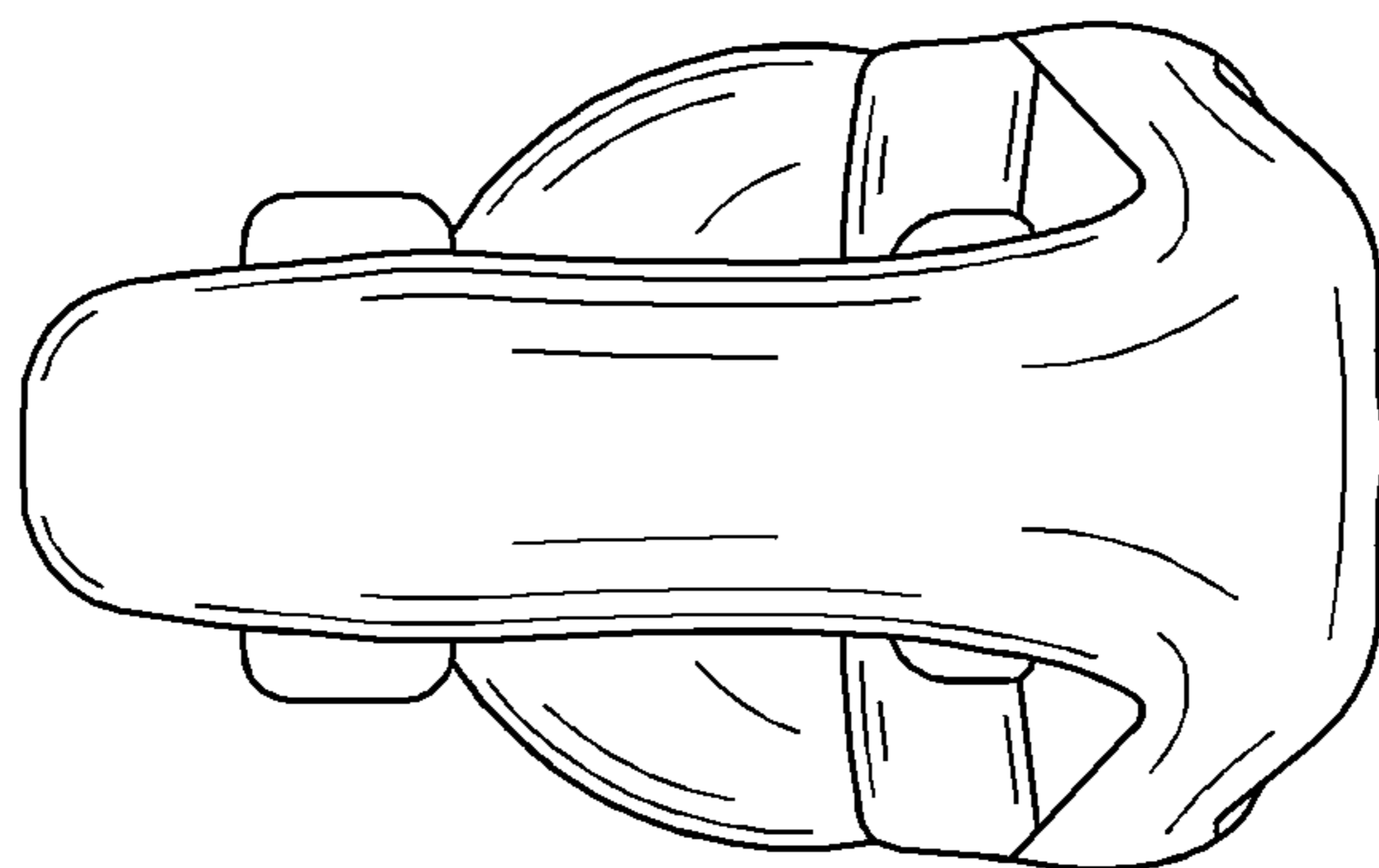


FIG. 6

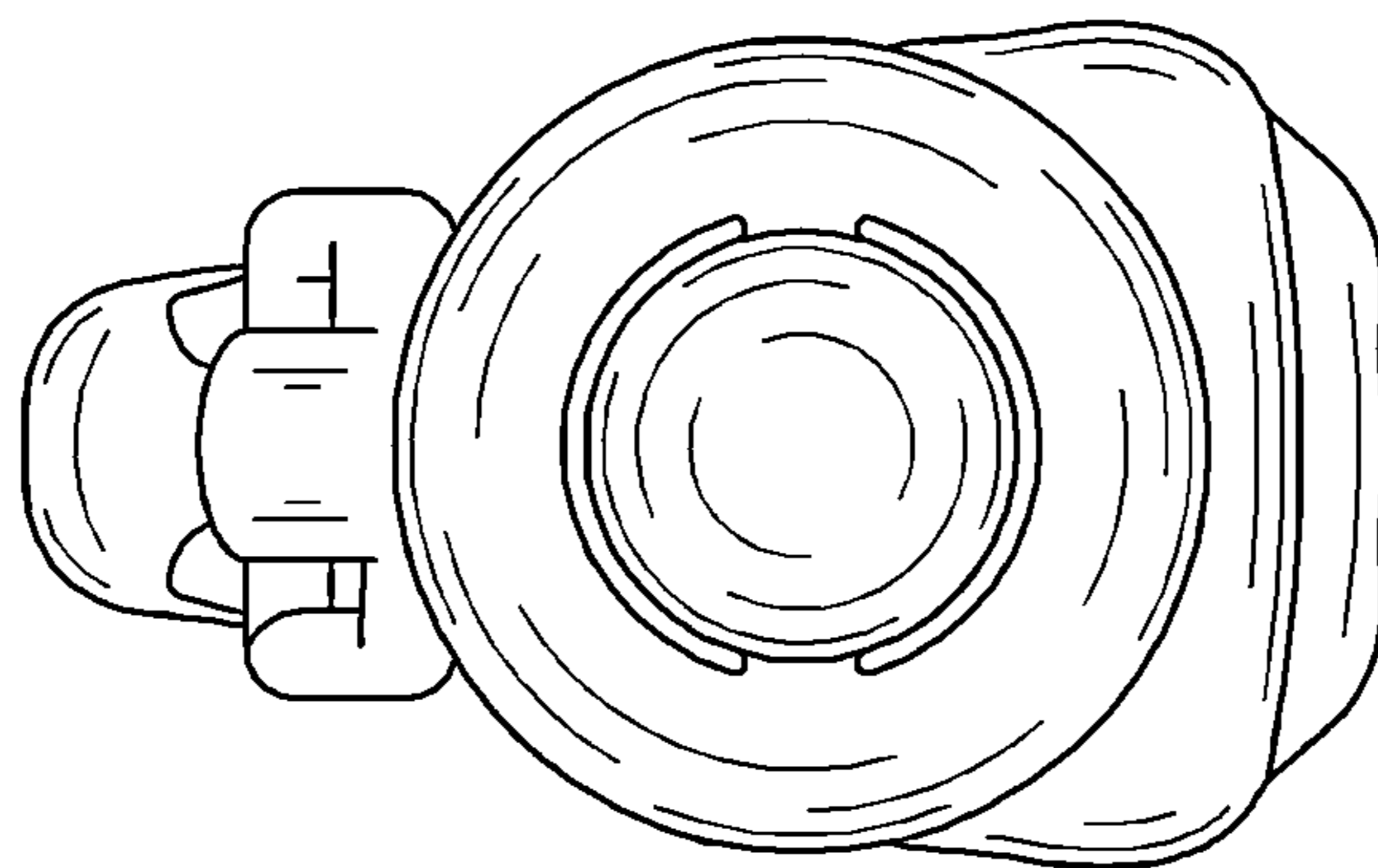


FIG. 7

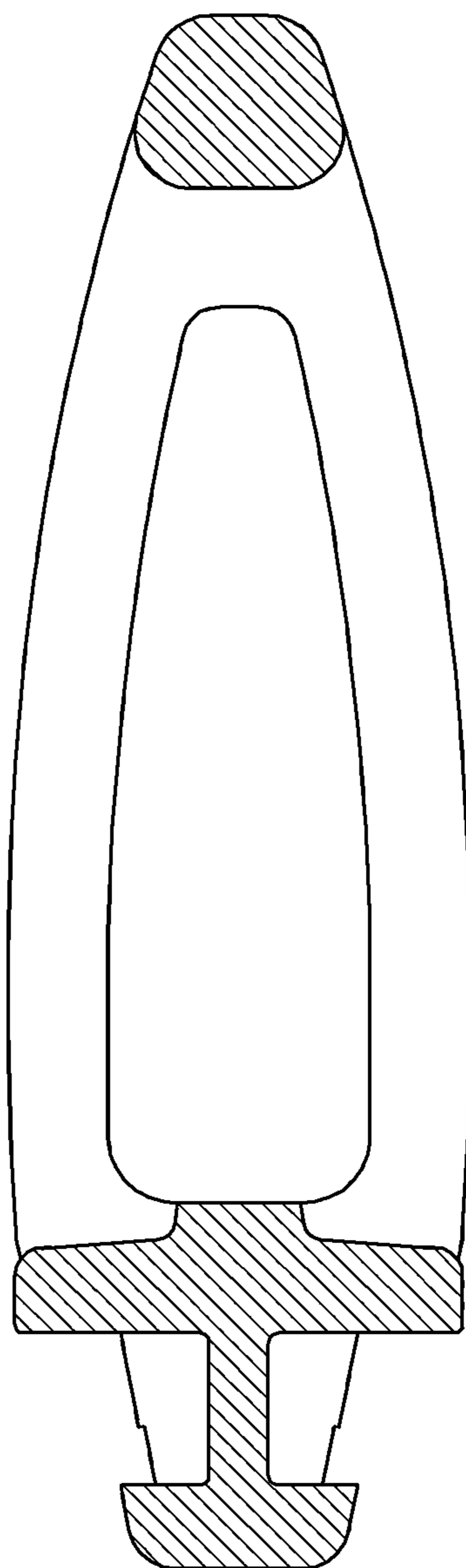


FIG. 8

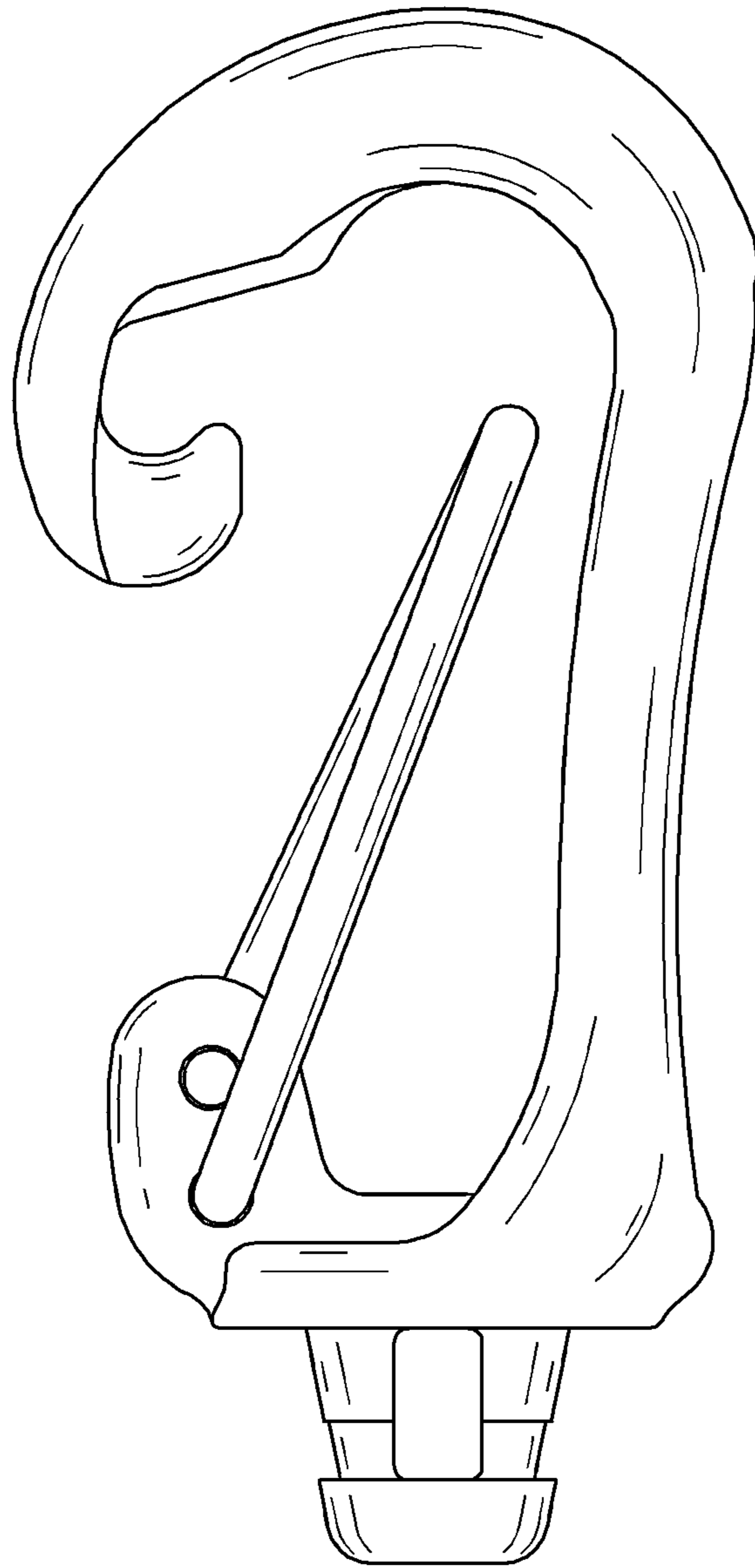


FIG. 9

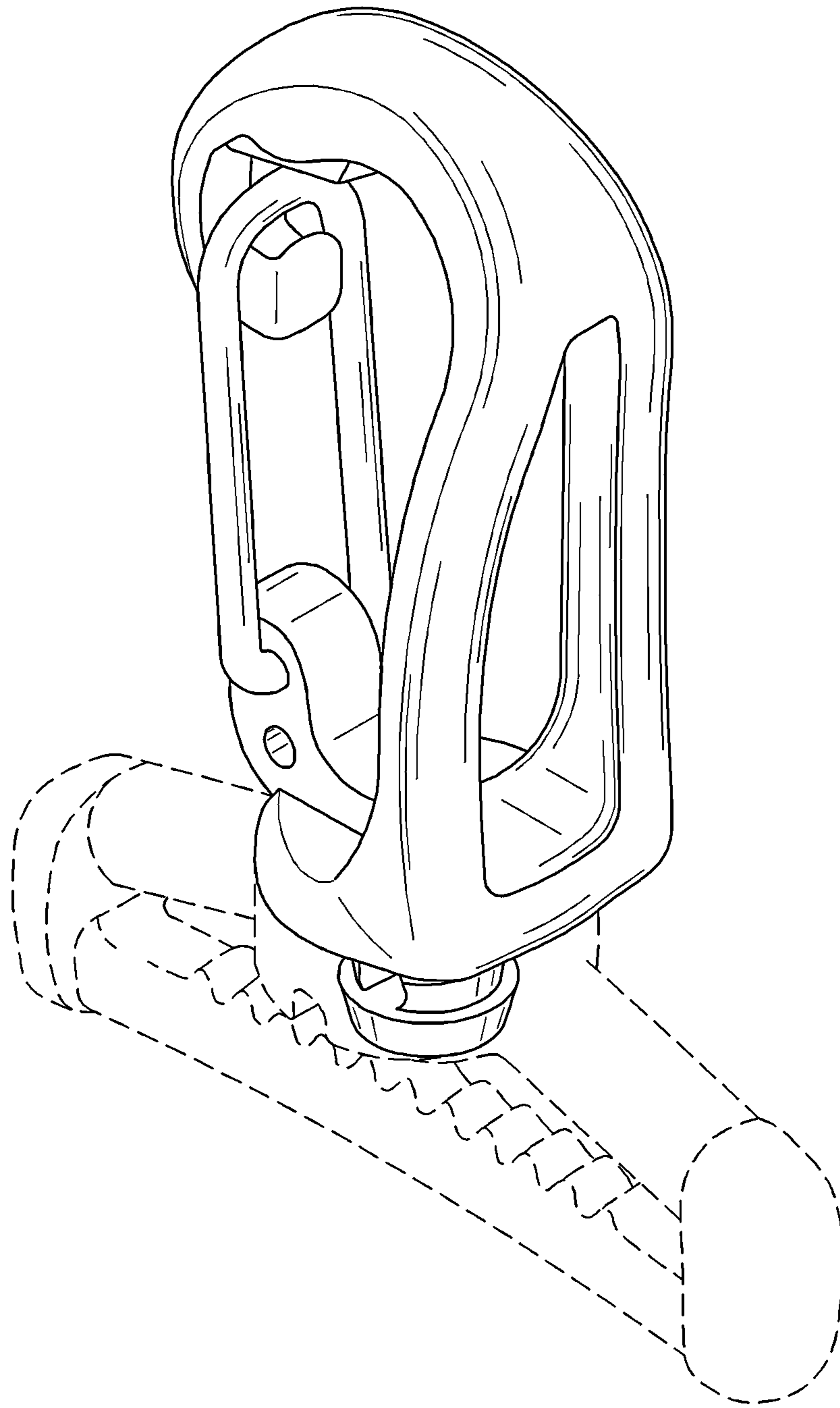


FIG. 10