



US00D700040S

(12) **United States Design Patent**  
**Goehringer et al.**

(10) **Patent No.:** **US D700,040 S**

(45) **Date of Patent:** **\*\* Feb. 25, 2014**

(54) **ROOF-MOUNT ELEMENT**

D494,454 S \* 8/2004 Klein et al. .... D8/373  
D529,792 S \* 10/2006 Klein et al. .... D8/373  
D617,071 S \* 6/2010 Roesner ..... D34/10

(75) Inventors: **Rainer Goehringer**, Kelkheim (DE);  
**Maciej Polewczyk**, Sindelfingen (DE);  
**Arnd Pietrzak**, Berlin (DE)

**FOREIGN PATENT DOCUMENTS**

(73) Assignee: **Magna International Inc.**, Aurora,  
Ontario (CA)

DE 29611109 U1 12/1996  
DE 29618279 U1 12/1996  
DE 202007002252 U1 4/2007  
DE 202007005304 U1 6/2007  
DE 202009003667 U1 7/2009  
DE 102009024615 A1 2/2010  
DE 102008051338 A1 4/2010  
DE 102009018782 B3 9/2010  
DE 102009023021 A1 12/2010  
DE 102009036607 A1 2/2011

(\*\*) Term: **14 Years**

(21) Appl. No.: **29/424,585**

(22) Filed: **Jun. 13, 2012**

\* cited by examiner

(30) **Foreign Application Priority Data**

Mar. 29, 2012 (CA) ..... 145091

*Primary Examiner* — Holly Baynham

(51) **LOC (10) Cl.** ..... **08-05**

(74) *Attorney, Agent, or Firm* — Dickinson Wright PLLC

(52) **U.S. Cl.**  
USPC ..... **D8/363**

(57) **CLAIM**

(58) **Field of Classification Search**  
USPC ..... D8/354, 373, 363; 248/300; 52/24, 715,  
52/90.2

The ornamental design for a roof-mount element, as shown and described.

See application file for complete search history.

**DESCRIPTION**

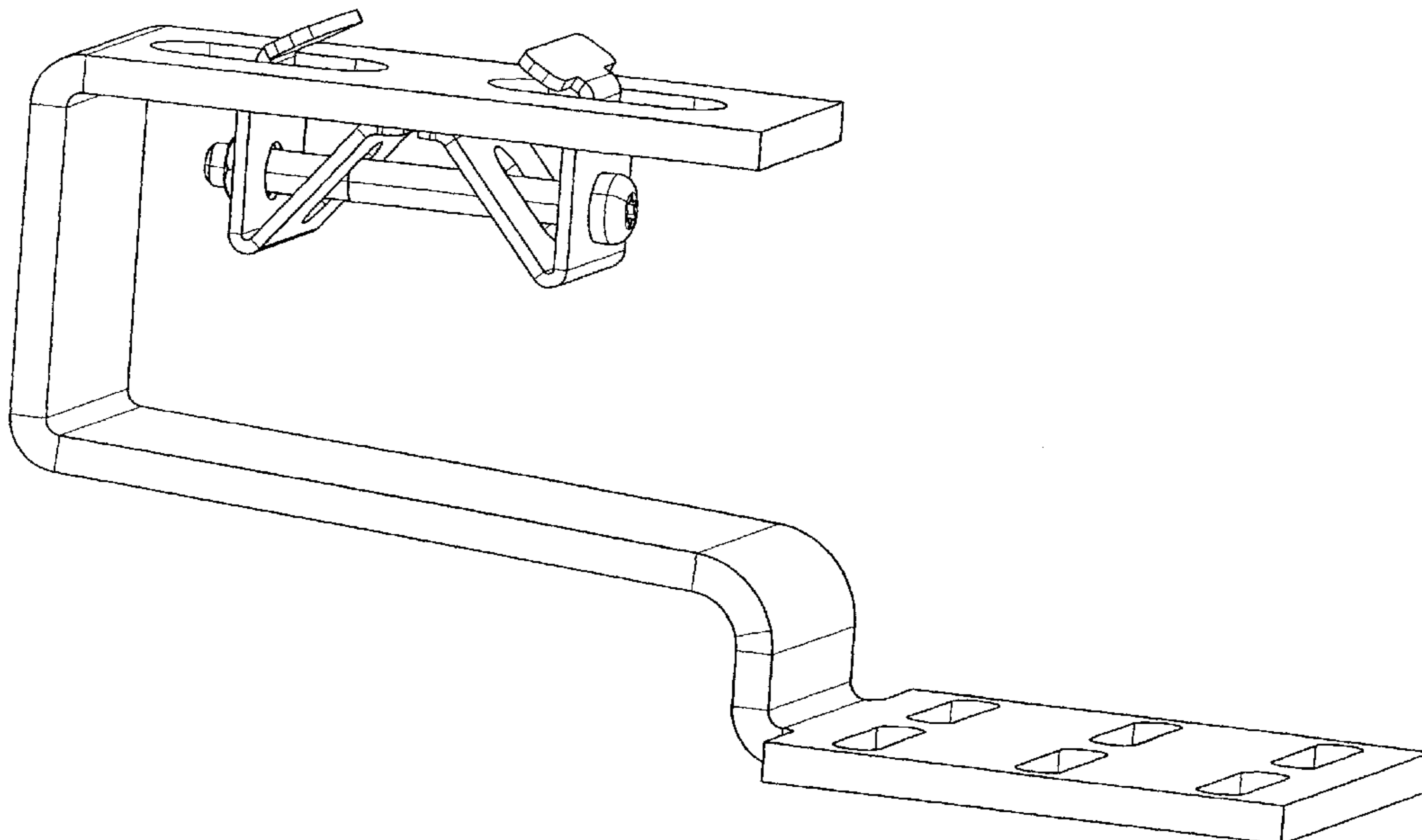
(56) **References Cited**

**U.S. PATENT DOCUMENTS**

5,085,389 A \* 2/1992 Levesque ..... 248/300  
5,142,293 A \* 8/1992 Ross ..... 343/840  
5,195,710 A \* 3/1993 Remblie ..... 248/300  
D415,950 S \* 11/1999 Anderson ..... D8/354  
D483,249 S \* 12/2003 Klein et al. .... D8/373  
D494,047 S \* 8/2004 Klein et al. .... D8/371  
D494,051 S \* 8/2004 Klein et al. .... D8/373

FIG. 1 is an isometric view of a roof-mount element.  
FIG. 2 is a front elevational view of the roof-mount element shown in FIG. 1.  
FIG. 3 is a right side elevational view of the roof-mount element shown in FIG. 1.  
FIG. 4 is a left side elevational view of the roof-mount element shown in FIG. 1; and,  
FIG. 5 is a top plan view of the roof-mount element shown in FIG. 1.

**1 Claim, 4 Drawing Sheets**



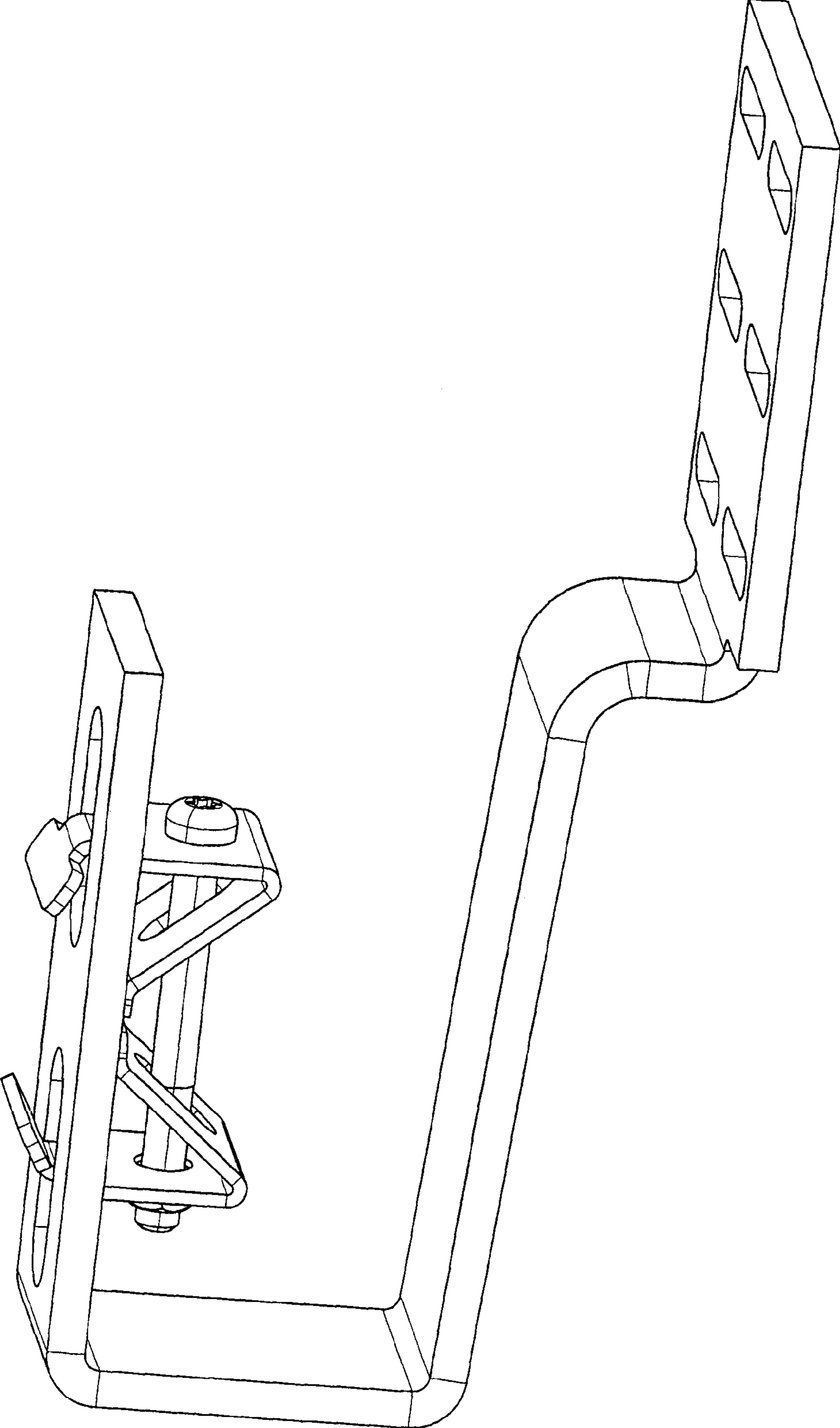


Figure 1

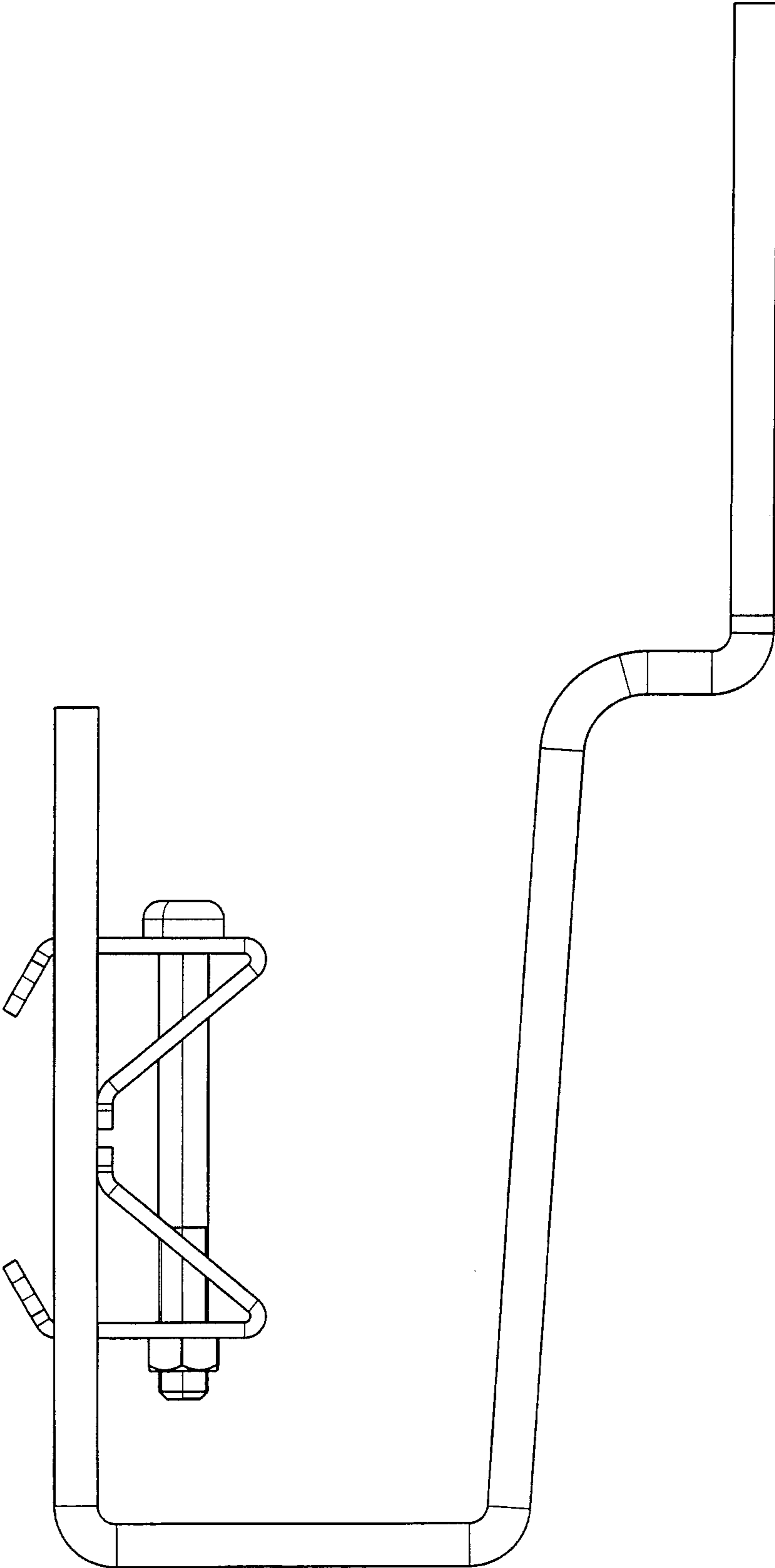


Figure 2

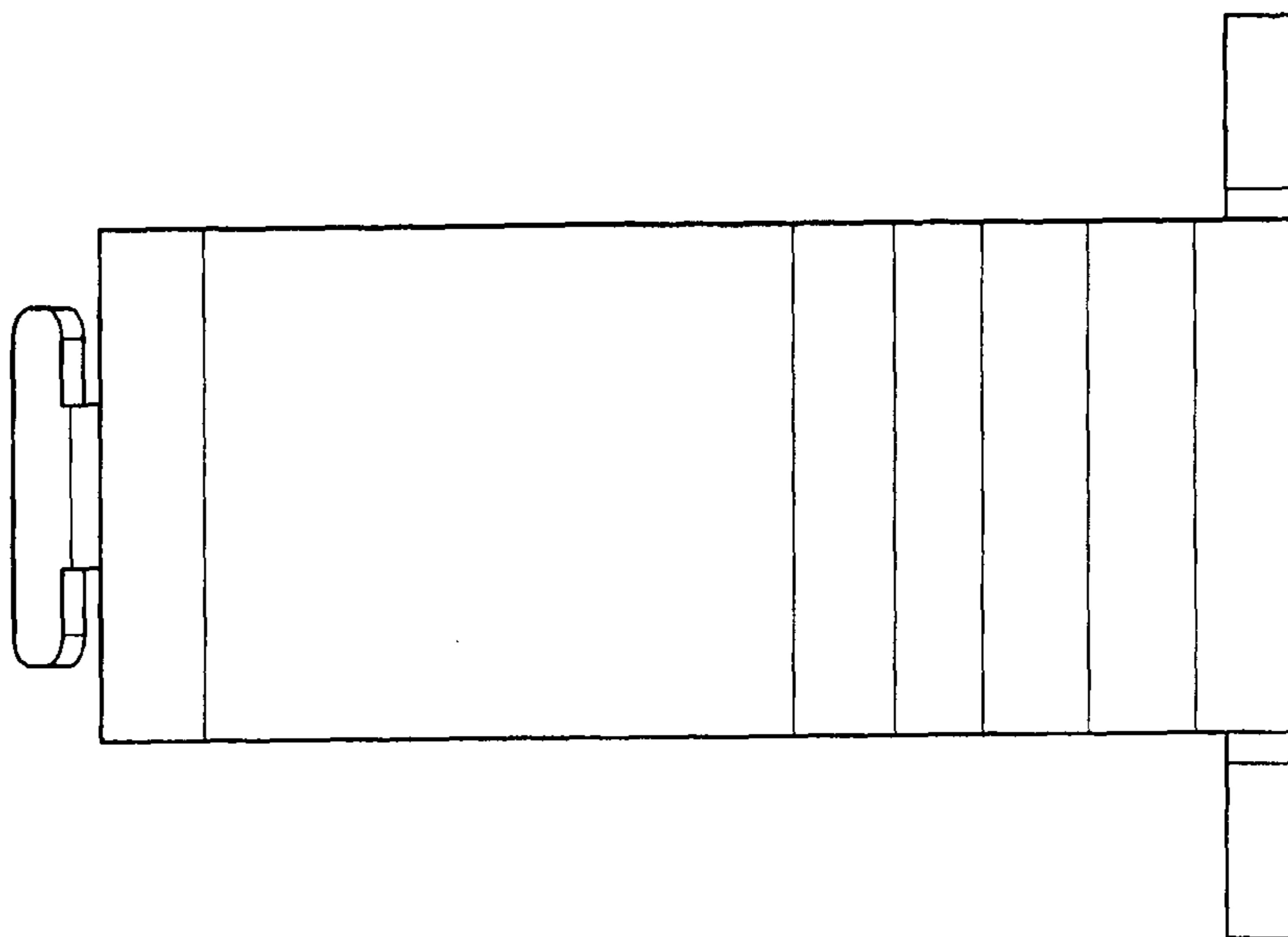


Figure 4

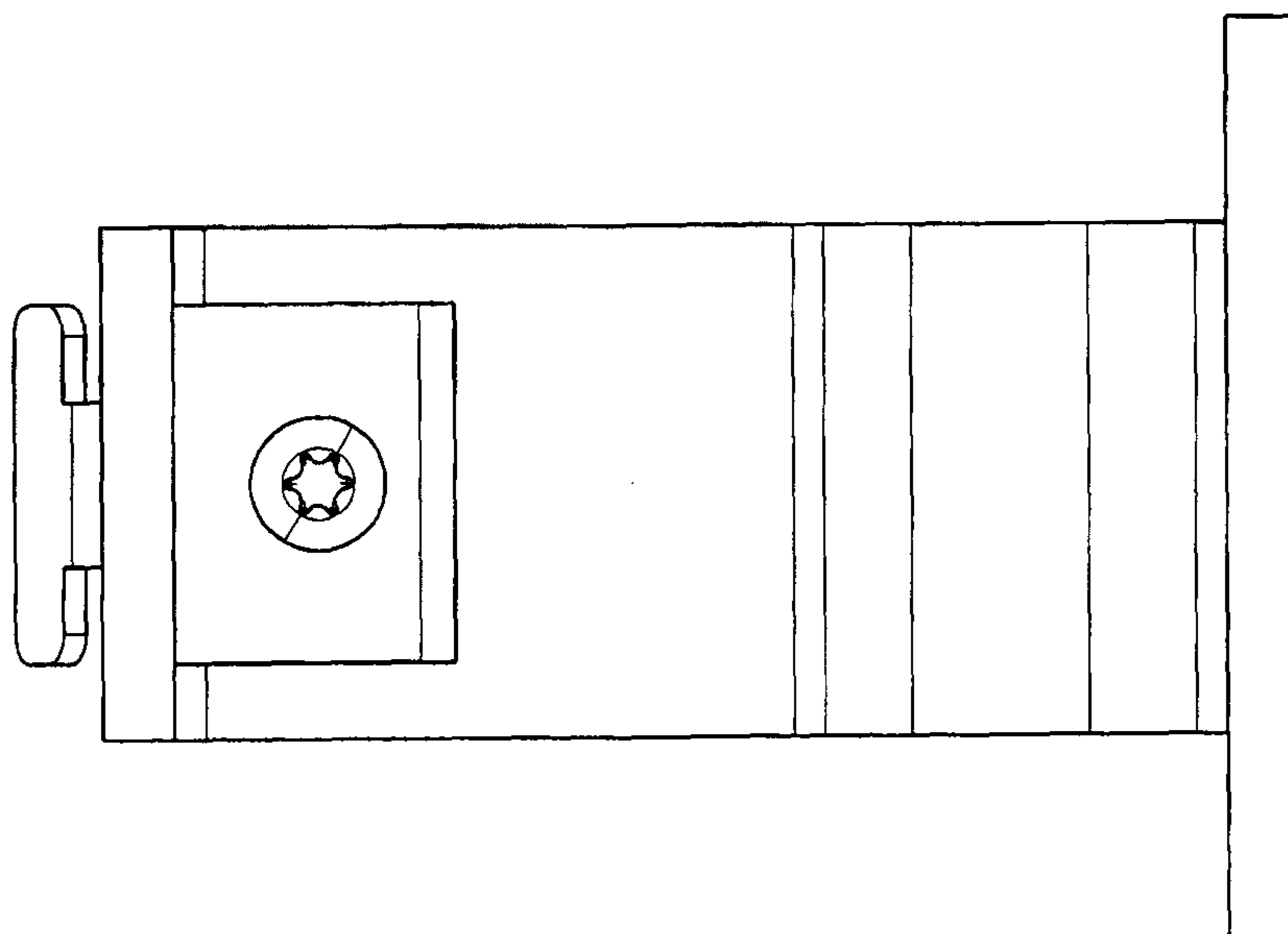


Figure 3

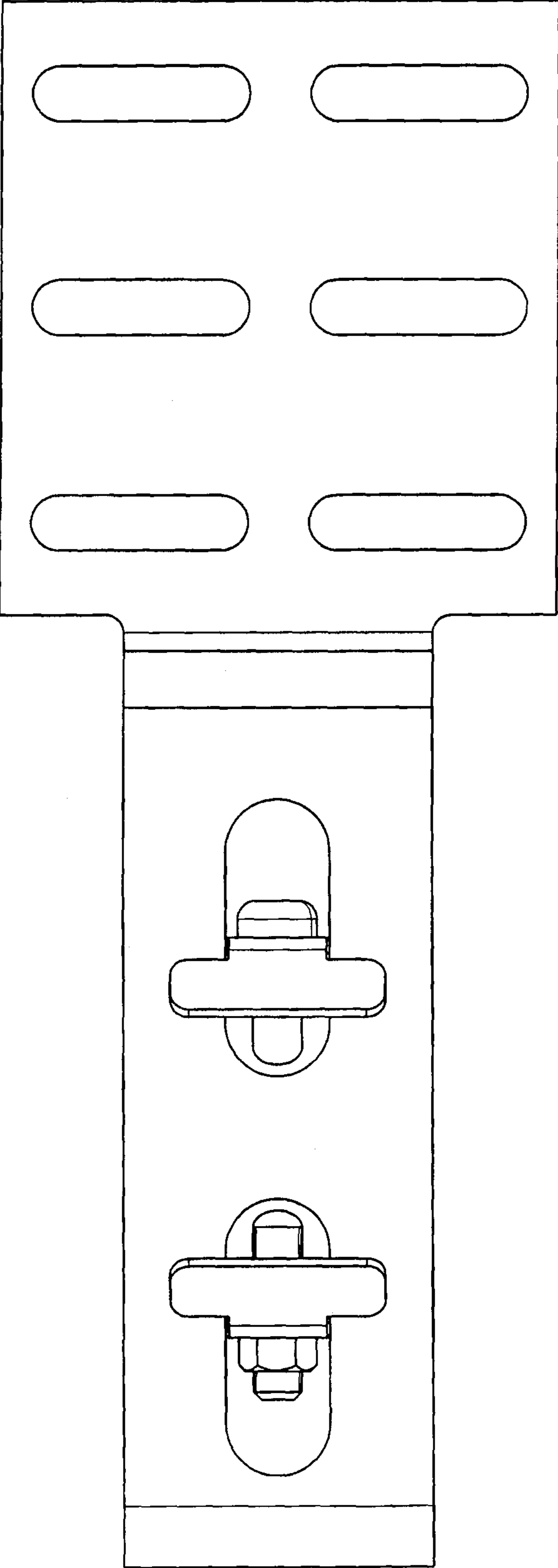


Figure 5