



US00D700038S

(12) **United States Design Patent**
Linares

(10) **Patent No.:** **US D700,038 S**

(45) **Date of Patent:** **** Feb. 25, 2014**

(54) **THUMB TURN LATCH**

(75) Inventor: **Rodolfo Linares**, Whittier, CA (US)

(73) Assignee: **ApexOEM, Inc.**, Fullerton, CA (US)

(**) Term: **14 Years**

(21) Appl. No.: **29/428,028**

(22) Filed: **Jul. 25, 2012**

(51) **LOC (10) Cl.** **08-07**

(52) **U.S. Cl.**
USPC **D8/331**

(58) **Field of Classification Search**
USPC D8/330, 331, 343, 321, DIG. 10; 70/77,
70/91, 136, 141, 174, 208, 471;
292/336.3, 322, 359, 348, 337, 195,
292/198, 207, DIG. 26, DIG. 31, 237
See application file for complete search history.

(56) **References Cited**

U.S. PATENT DOCUMENTS

4,978,152	A *	12/1990	Bisbing	292/169
D370,620	S *	6/1996	Ziemer	D8/341
6,109,669	A *	8/2000	Pinkow	292/175
6,113,160	A *	9/2000	Johansson et al.	292/169
6,460,902	B1 *	10/2002	Kyle	292/165
D471,428	S *	3/2003	Mirick	D8/331
D489,958	S *	5/2004	Jackson et al.	D8/331
6,877,782	B2 *	4/2005	Magnusson	292/170

D506,120	S *	6/2005	Straka et al.	D8/331
D534,785	S *	1/2007	Mlynarczyk et al.	D8/331
D621,685	S *	8/2010	Sarnowski	D8/331

OTHER PUBLICATIONS

Item #: DC696, Description: Low Profile Knob Lock, Published by: Illinois Lock Company, 301 W. Hintz Road, Wheeling, IL 60090-5754 USA.

* cited by examiner

Primary Examiner — Prabhakar Deshmukh

(74) *Attorney, Agent, or Firm* — Raymond Sun

(57) **CLAIM**

The ornamental design for a thumb turn latch, as shown and described.

DESCRIPTION

FIG. 1 is a perspective view of a thumb turn latch showing my new design;

FIG. 2 is a top plan view thereof;

FIG. 3 is a bottom plan view thereof;

FIG. 4 is a right side elevational view thereof;

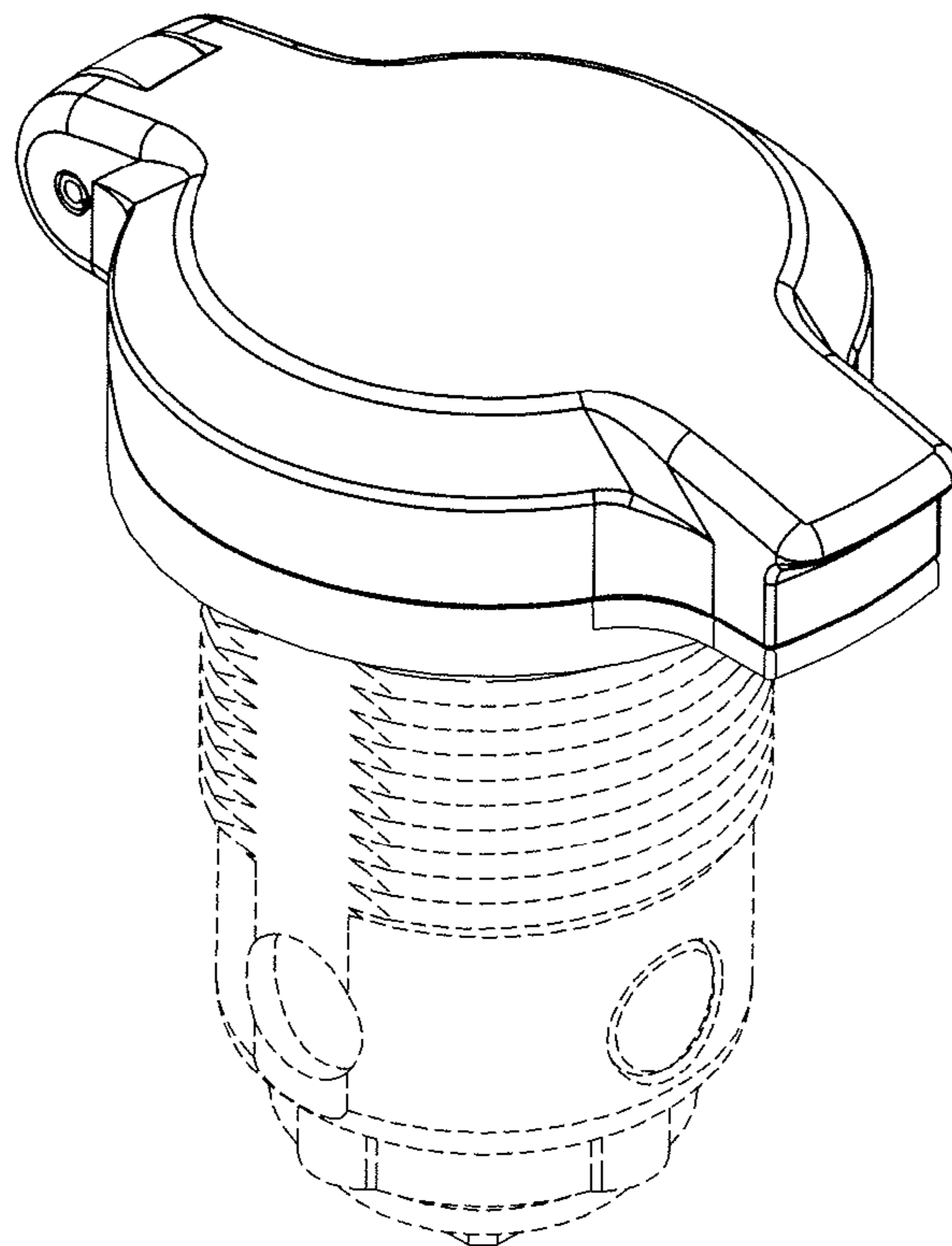
FIG. 5 is a left side elevational view thereof;

FIG. 6 is a front elevational view thereof; and,

FIG. 7 is a rear elevational view thereof.

The broken lines environment is for illustrative purpose only and forms no part of the claimed design.

1 Claim, 4 Drawing Sheets



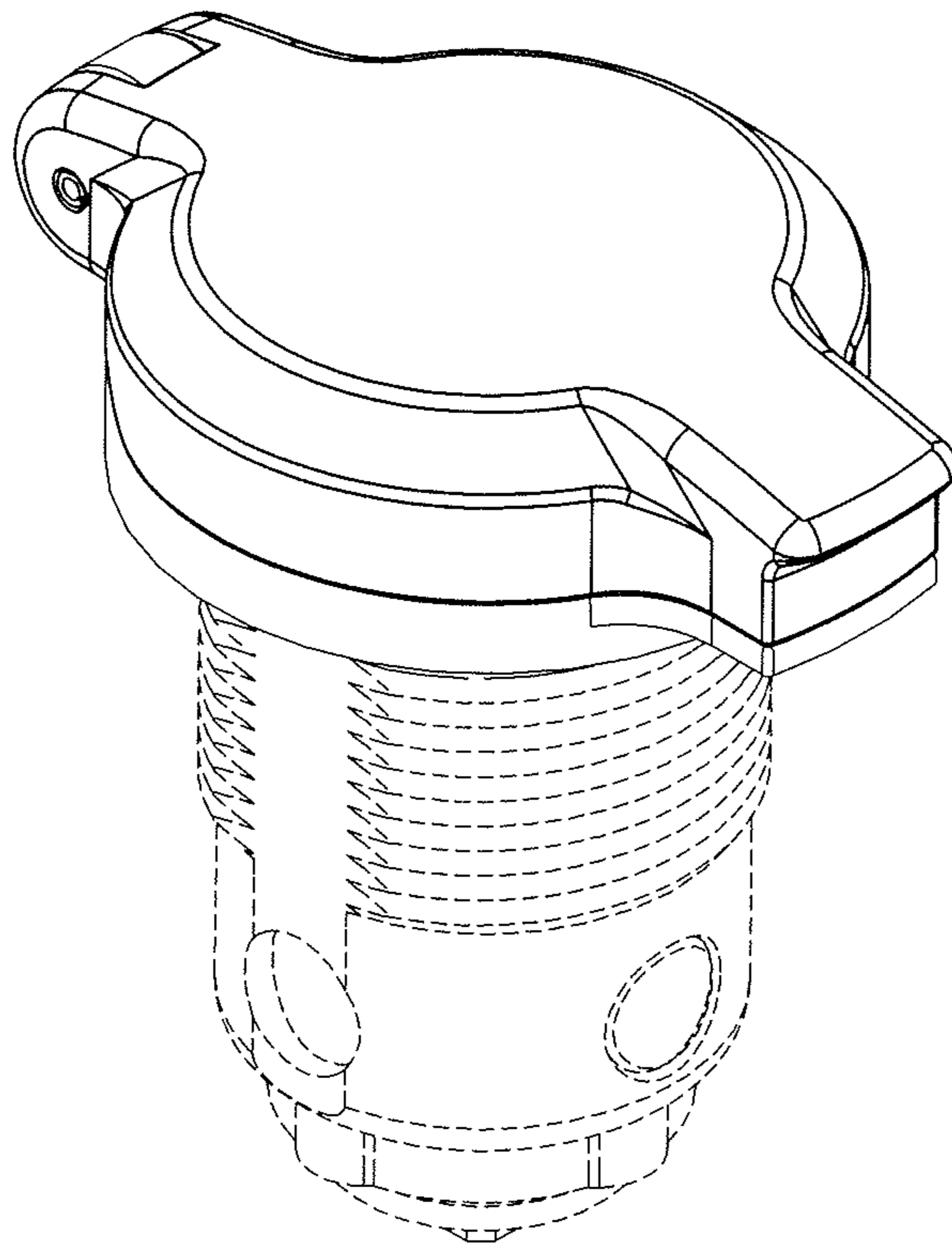


Fig. 1

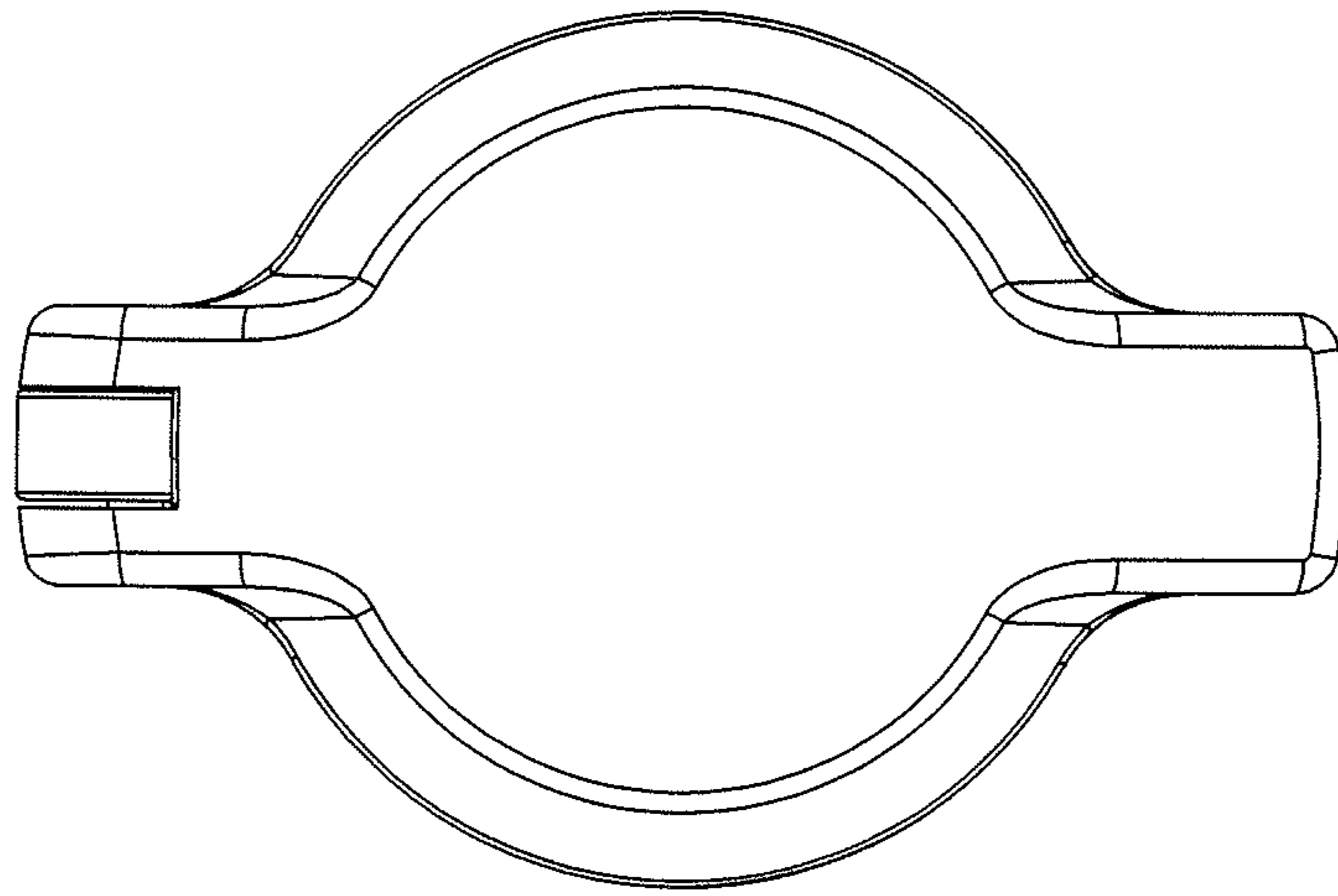


Fig. 2

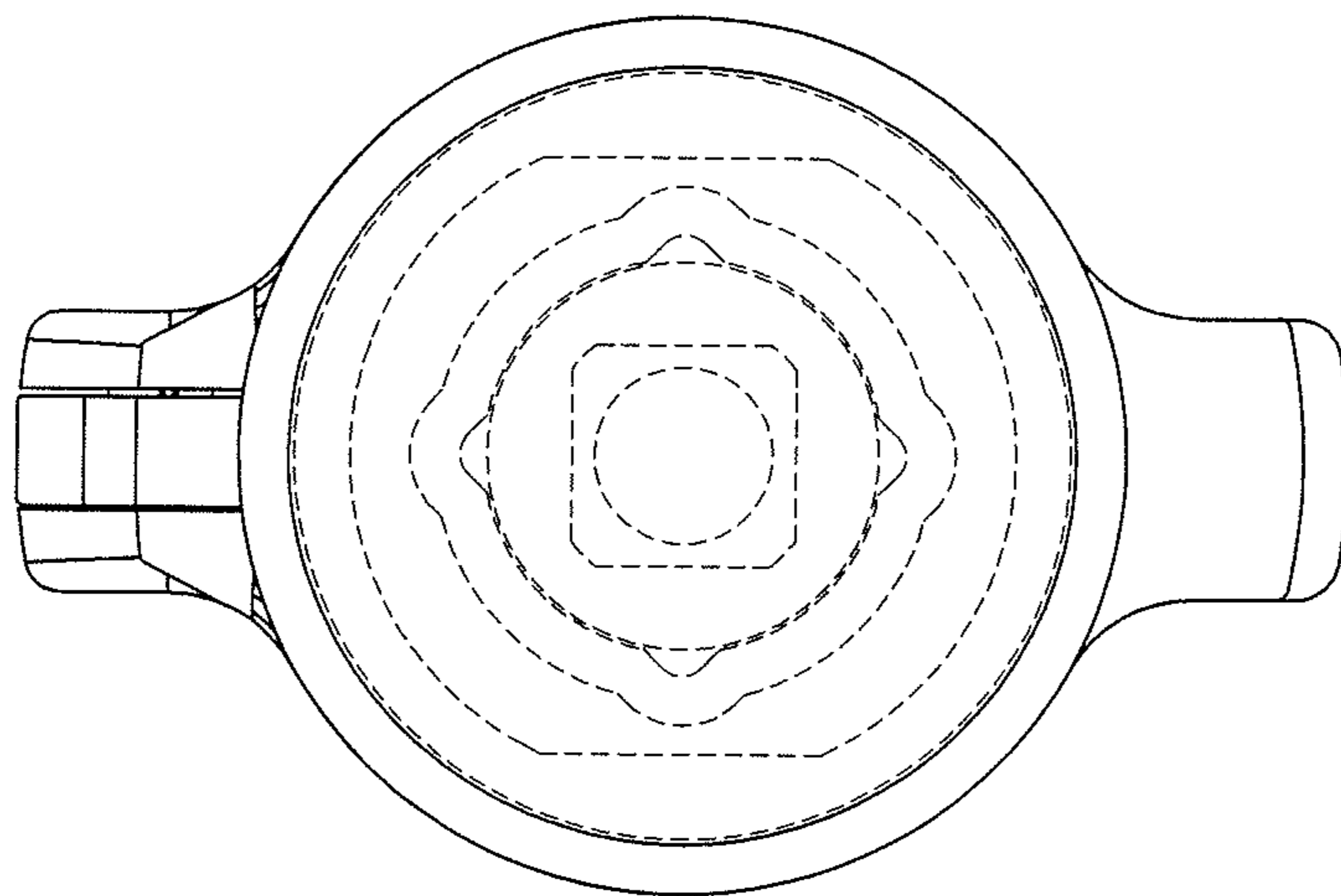


Fig. 3

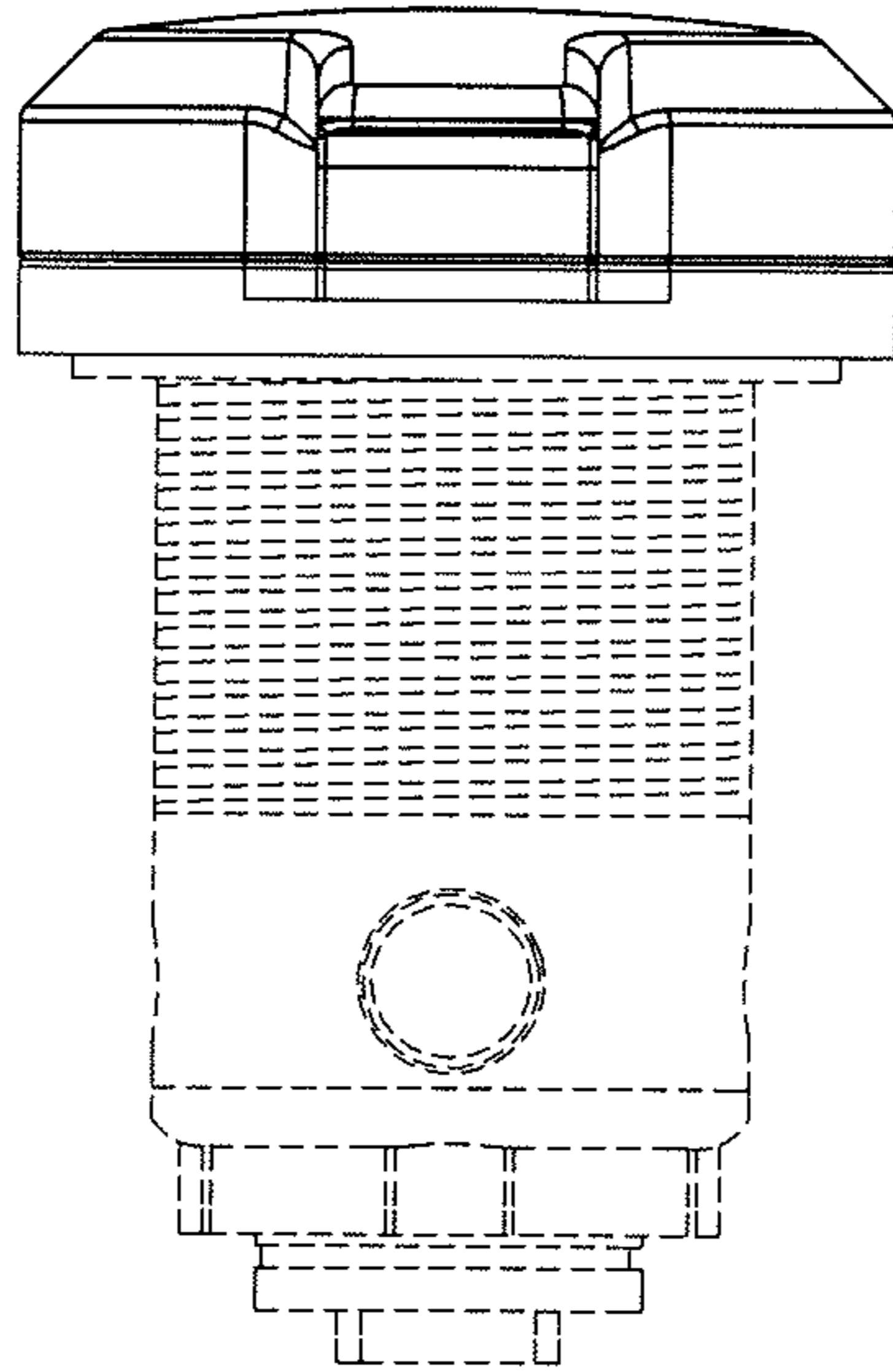


Fig. 4

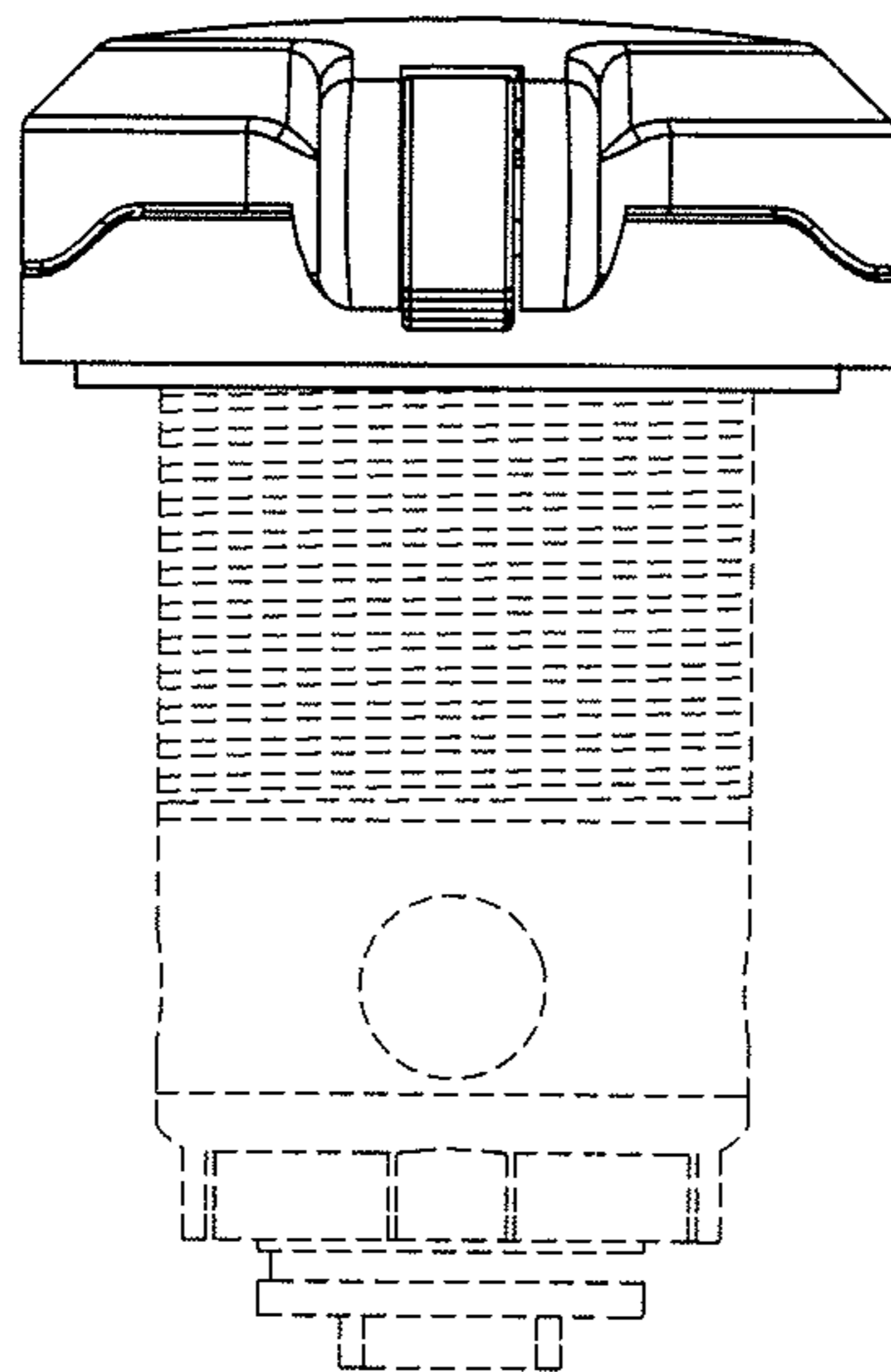


Fig. 5

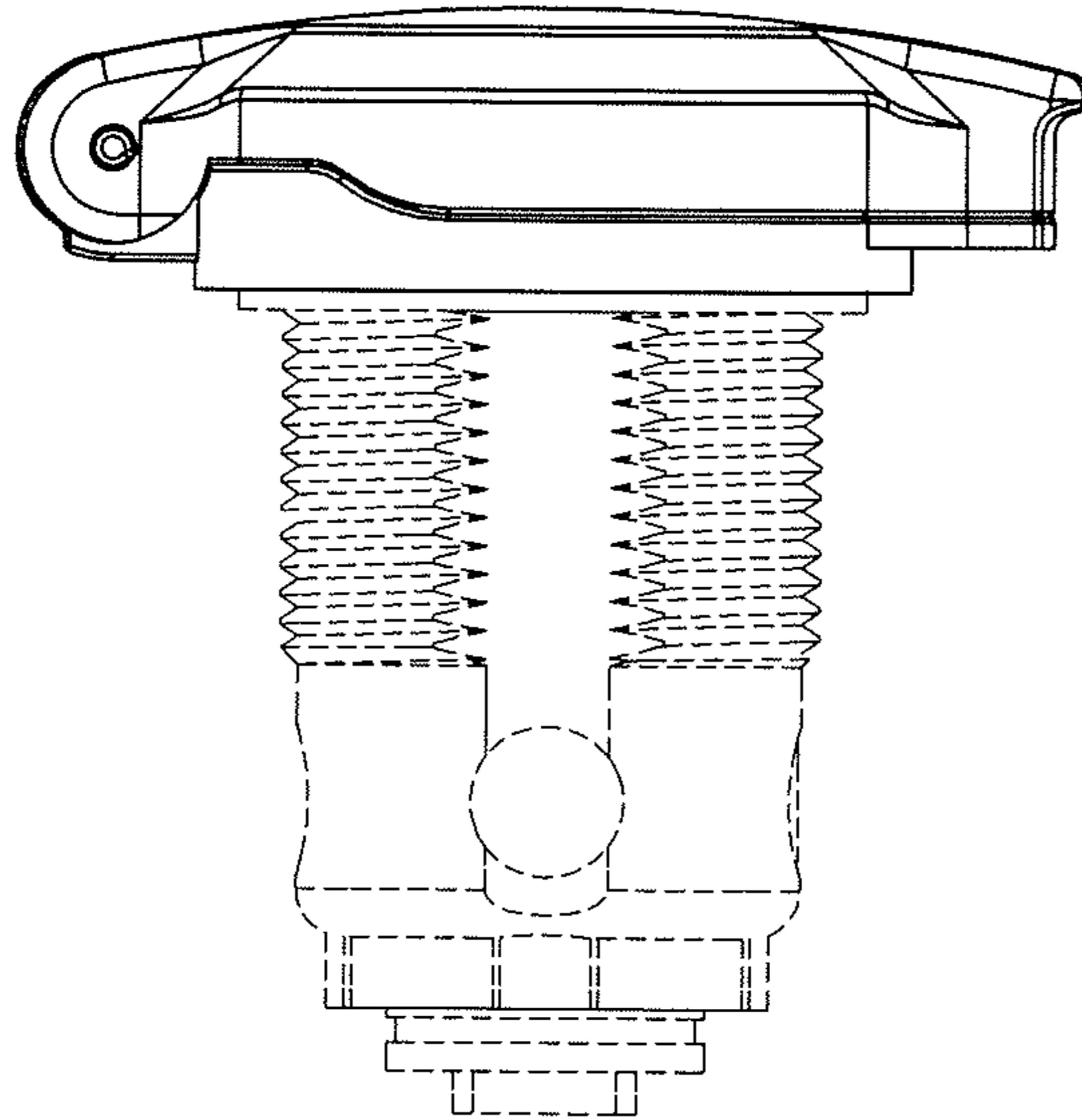


Fig. 6

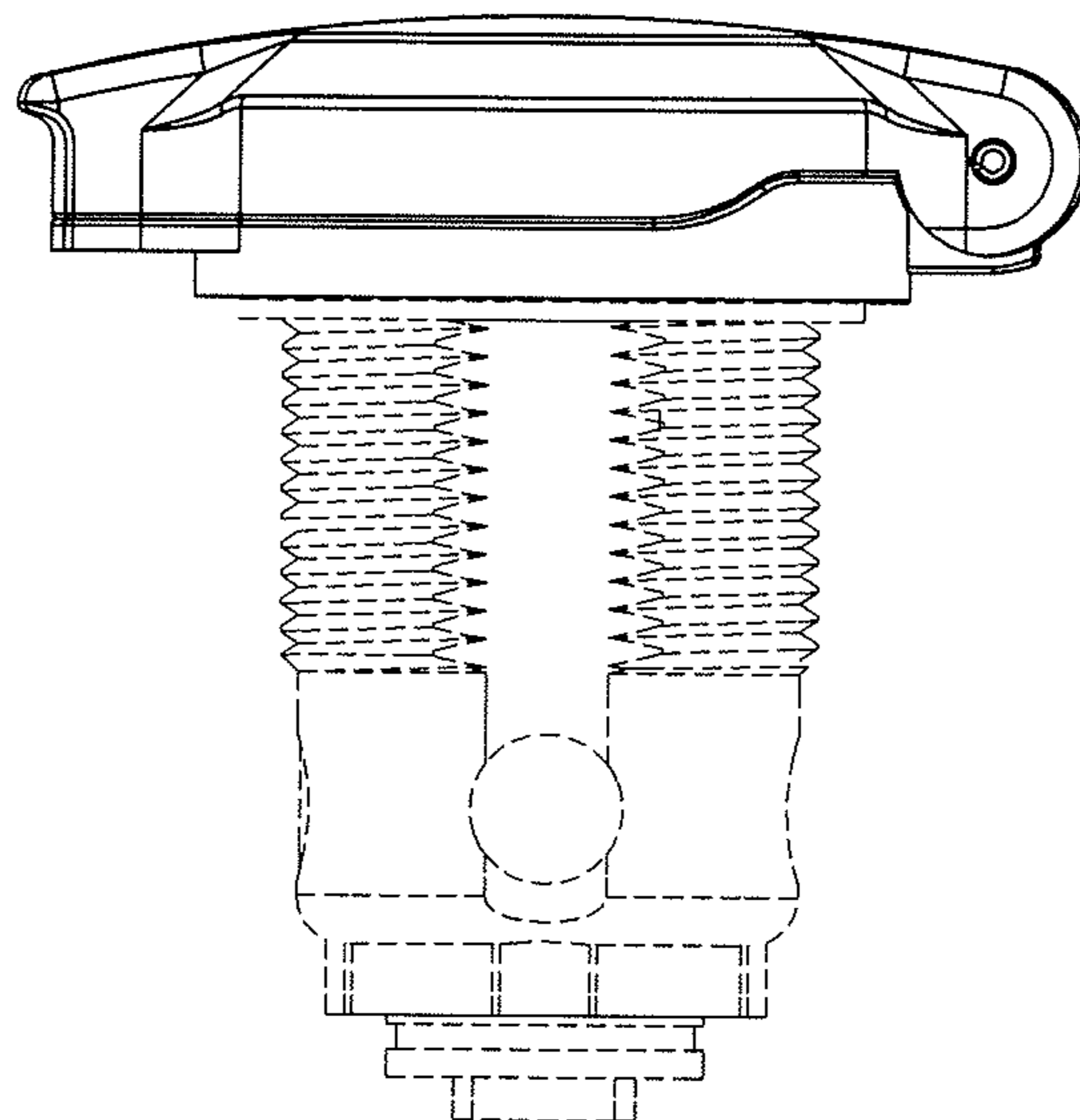


Fig. 7