



US00D700037S

(12) **United States Design Patent**  
**Lohmann**

(10) **Patent No.:** **US D700,037 S**

(45) **Date of Patent:** **\*\* Feb. 25, 2014**

(54) **LOCKING DEVICE**

(71) Applicant: **Blucher Metal A/S**, Vildbjerg (DK)

(72) Inventor: **Hans Lohmann**, Soro (DK)

(73) Assignee: **Blucher Metal A/S** (DK)

(\*\*) Term: **14 Years**

(21) Appl. No.: **29/433,147**

(22) Filed: **Sep. 26, 2012**

(30) **Foreign Application Priority Data**

Mar. 29, 2012 (EM) ..... 002016741-0001

(51) **LOC (10) Cl.** ..... **08-07**

(52) **U.S. Cl.**  
USPC ..... **D8/330; D8/333**

(58) **Field of Classification Search**  
USPC ..... D8/330, 331, 334, 333, 343; 70/14, 20,  
70/21, 22, 31, 51, 57.1, 233, 465, DIG. 3,  
70/DIG. 4; 292/246, 70, 288; 403/3, 24;  
411/1, 190

See application file for complete search history.

(56) **References Cited**

U.S. PATENT DOCUMENTS

|           |      |         |             |       |          |
|-----------|------|---------|-------------|-------|----------|
| 2,097,465 | A *  | 11/1937 | Morrison    | ..... | 59/86    |
| 3,274,879 | A *  | 9/1966  | Poller      | ..... | 411/351  |
| 4,102,124 | A *  | 7/1978  | Swager      | ..... | 59/86    |
| 4,423,610 | A *  | 1/1984  | Hart et al. | ..... | 70/18    |
| 5,114,260 | A *  | 5/1992  | Hart et al. | ..... | 403/24   |
| 5,433,547 | A *  | 7/1995  | Hart et al. | ..... | 403/24   |
| D389,031  | S *  | 1/1998  | Lam         | ..... | D8/333   |
| D414,675  | S *  | 10/1999 | Niswanger   | ..... | D8/333   |
| D433,617  | S *  | 11/2000 | Gray, Jr.   | ..... | D8/356   |
| 7,393,033 | B1 * | 7/2008  | Bisso, IV   | ..... | 294/82.1 |

\* cited by examiner

*Primary Examiner* — Prabhakar Deshmukh

(74) *Attorney, Agent, or Firm* — Sheridan Ross P.C.

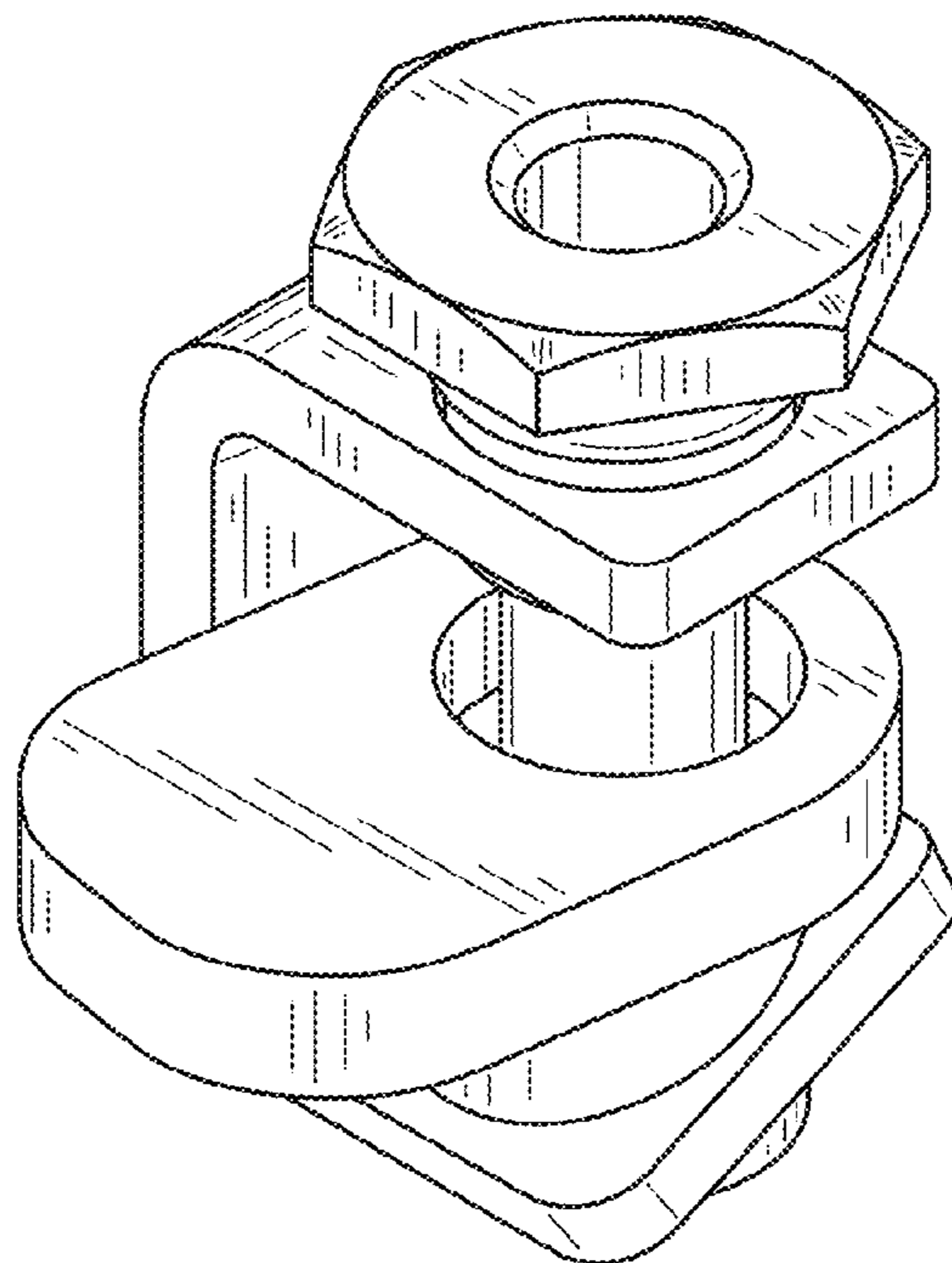
(57) **CLAIM**

The ornamental design for a locking device, as shown and described.

**DESCRIPTION**

FIG. 1 is a perspective view of the locking device showing my new design;  
FIG. 2 is a front elevation view of FIG. 1;  
FIG. 3 is a rear elevation view of FIG. 1;  
FIG. 4 is a right side view of FIG. 1,  
FIG. 5 is a left side view of FIG. 1;  
FIG. 6 is a top plan view of FIG. 1; and,  
FIG. 7 is a bottom plan view of FIG. 1.

**1 Claim, 4 Drawing Sheets**



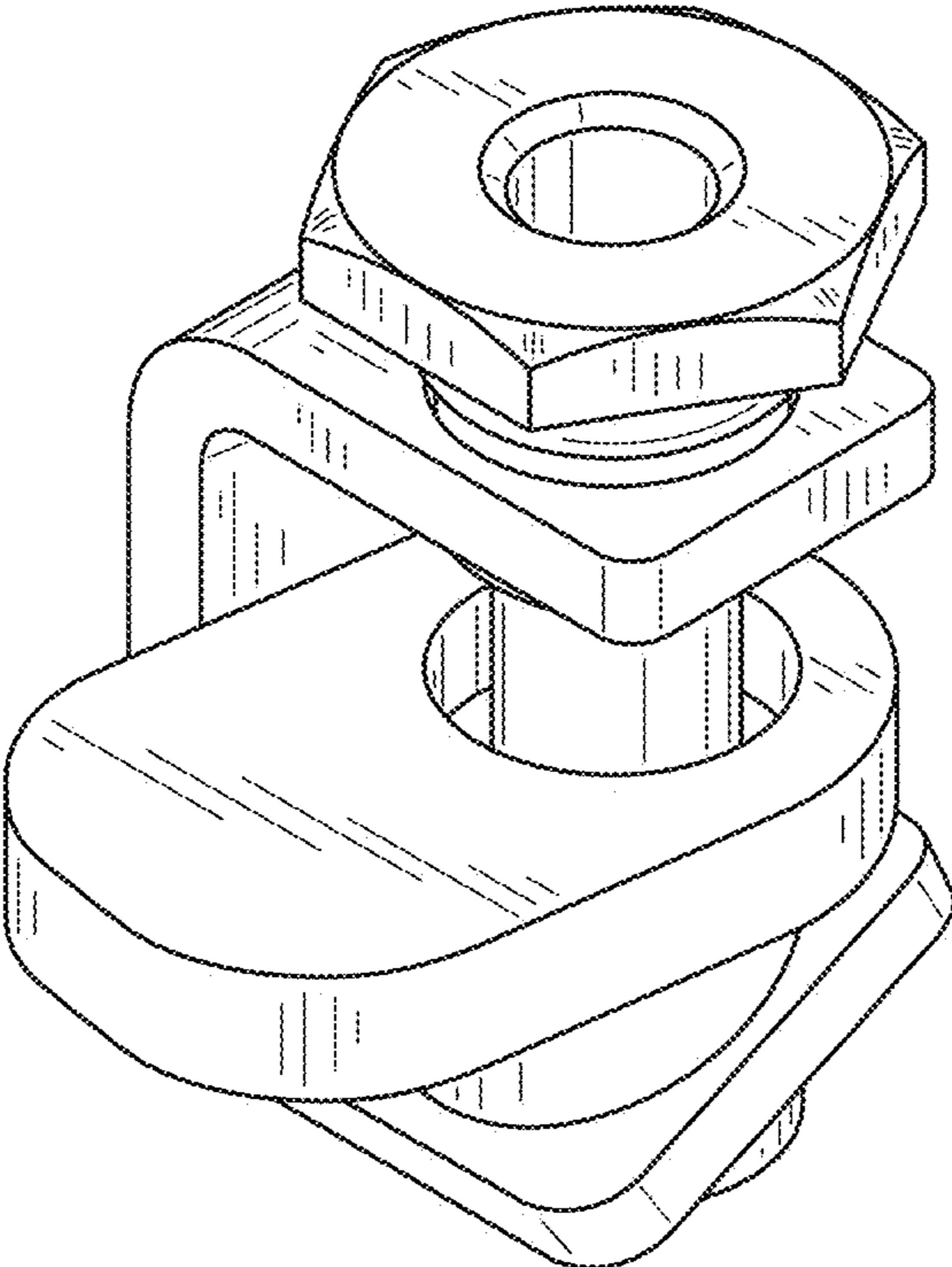


FIG.1

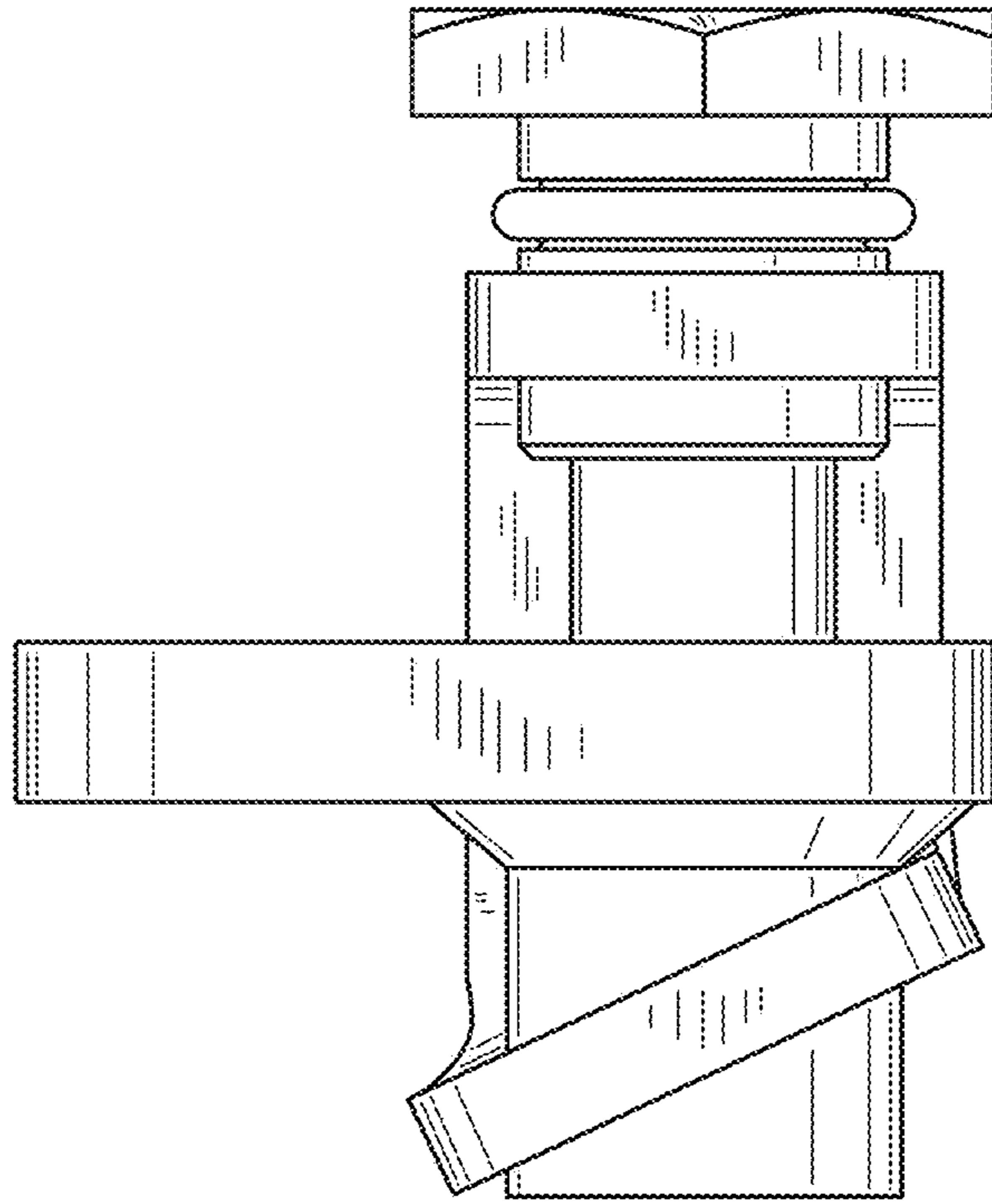


FIG. 2

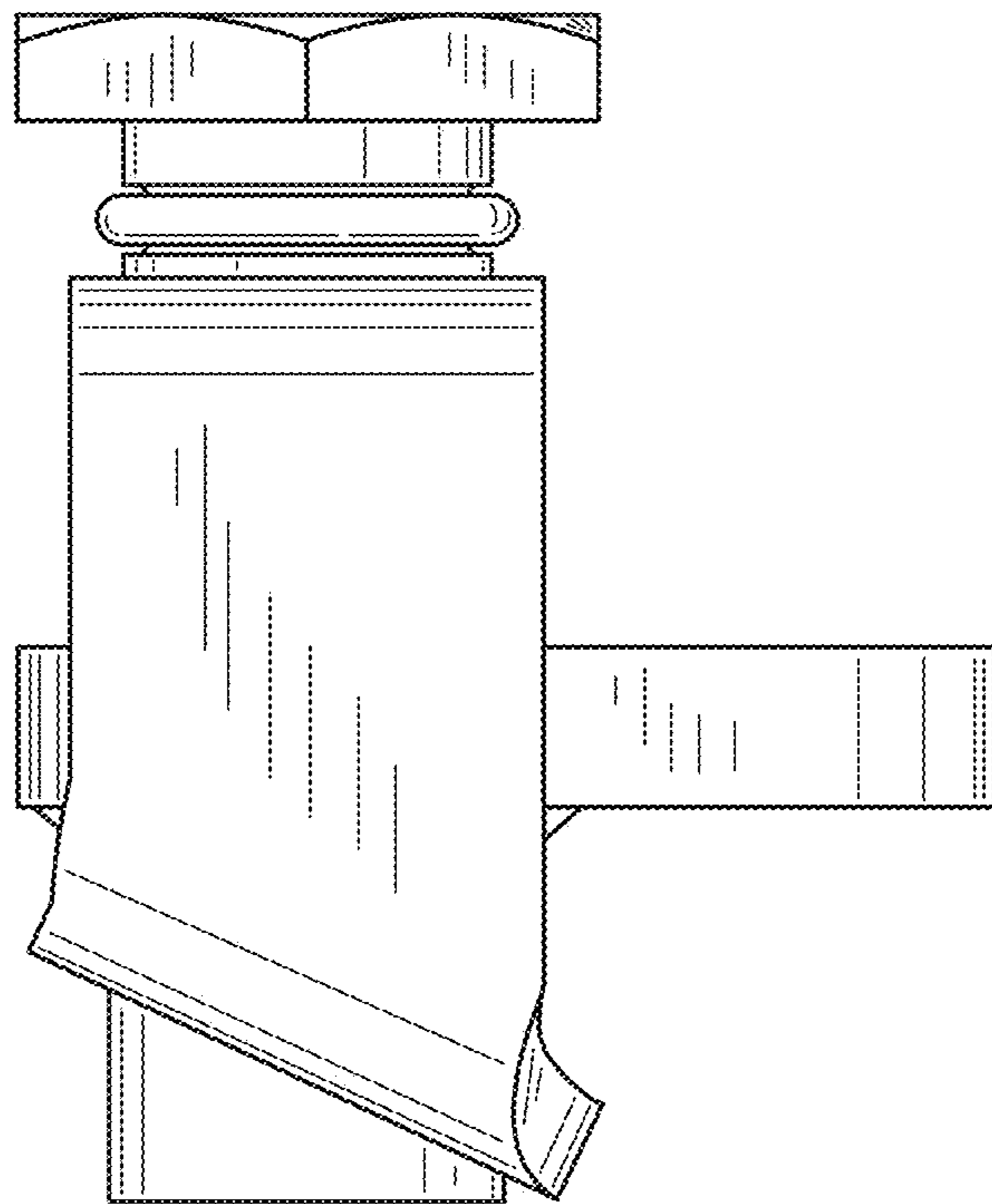


FIG. 3

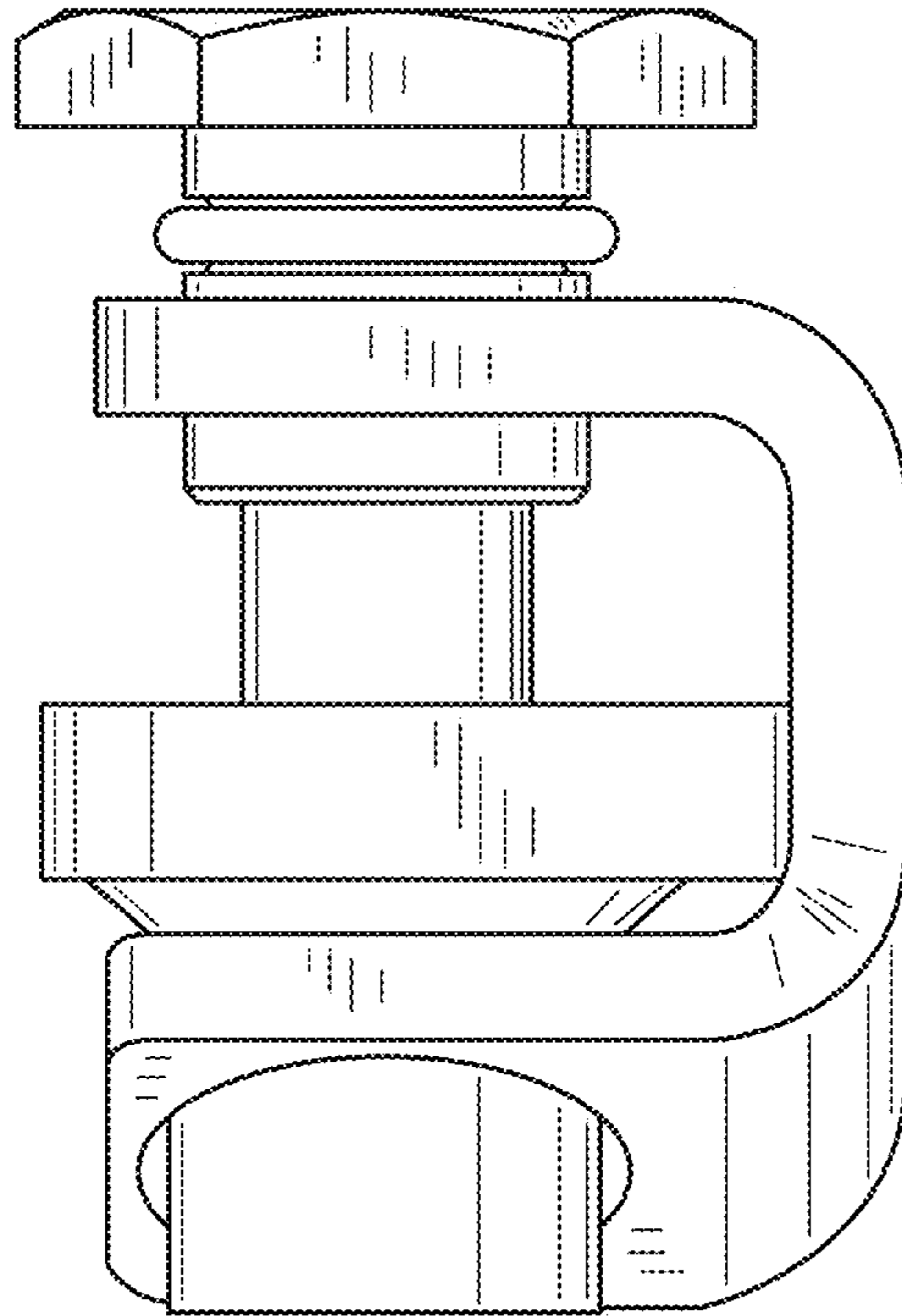


FIG. 4

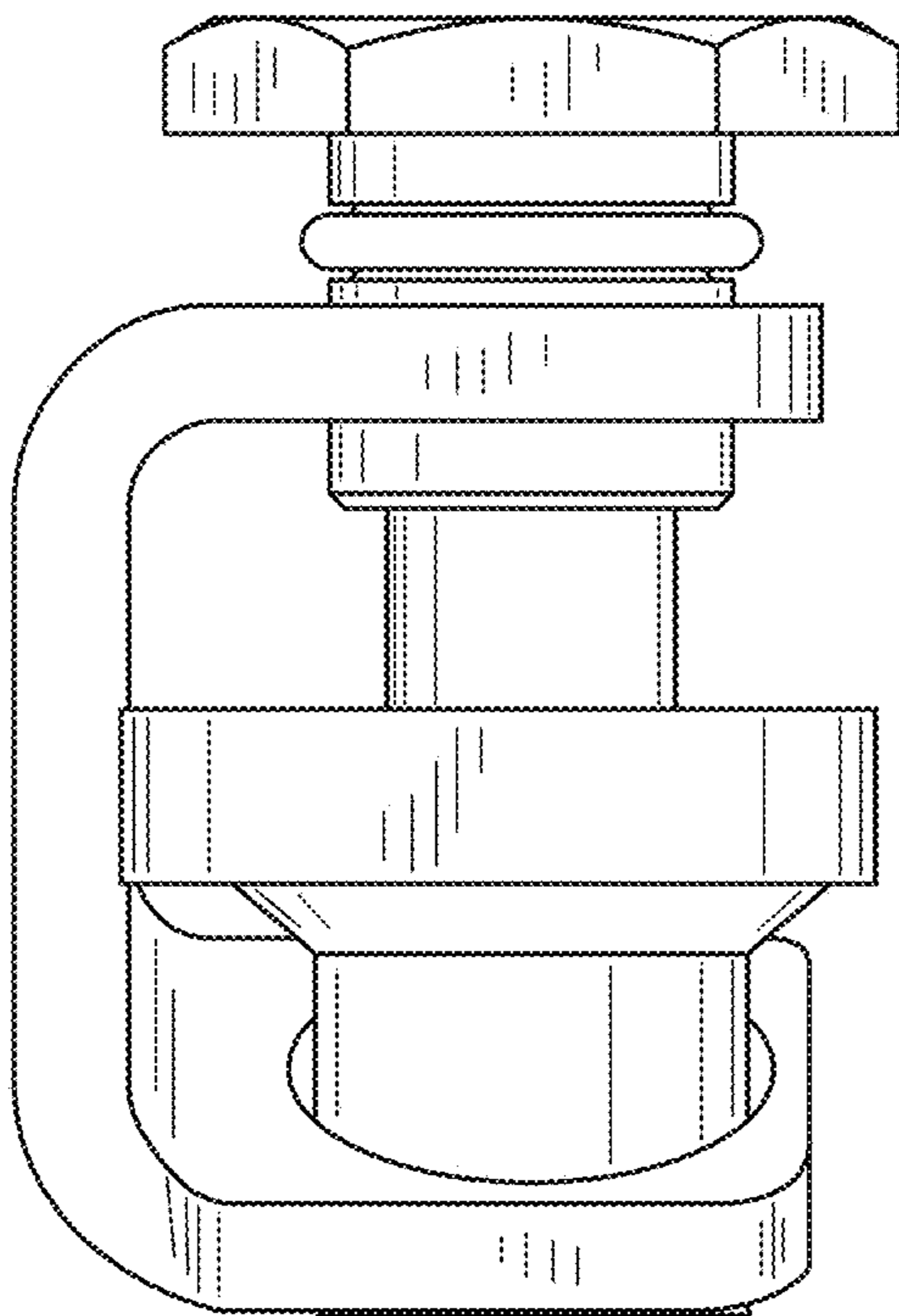


FIG. 5

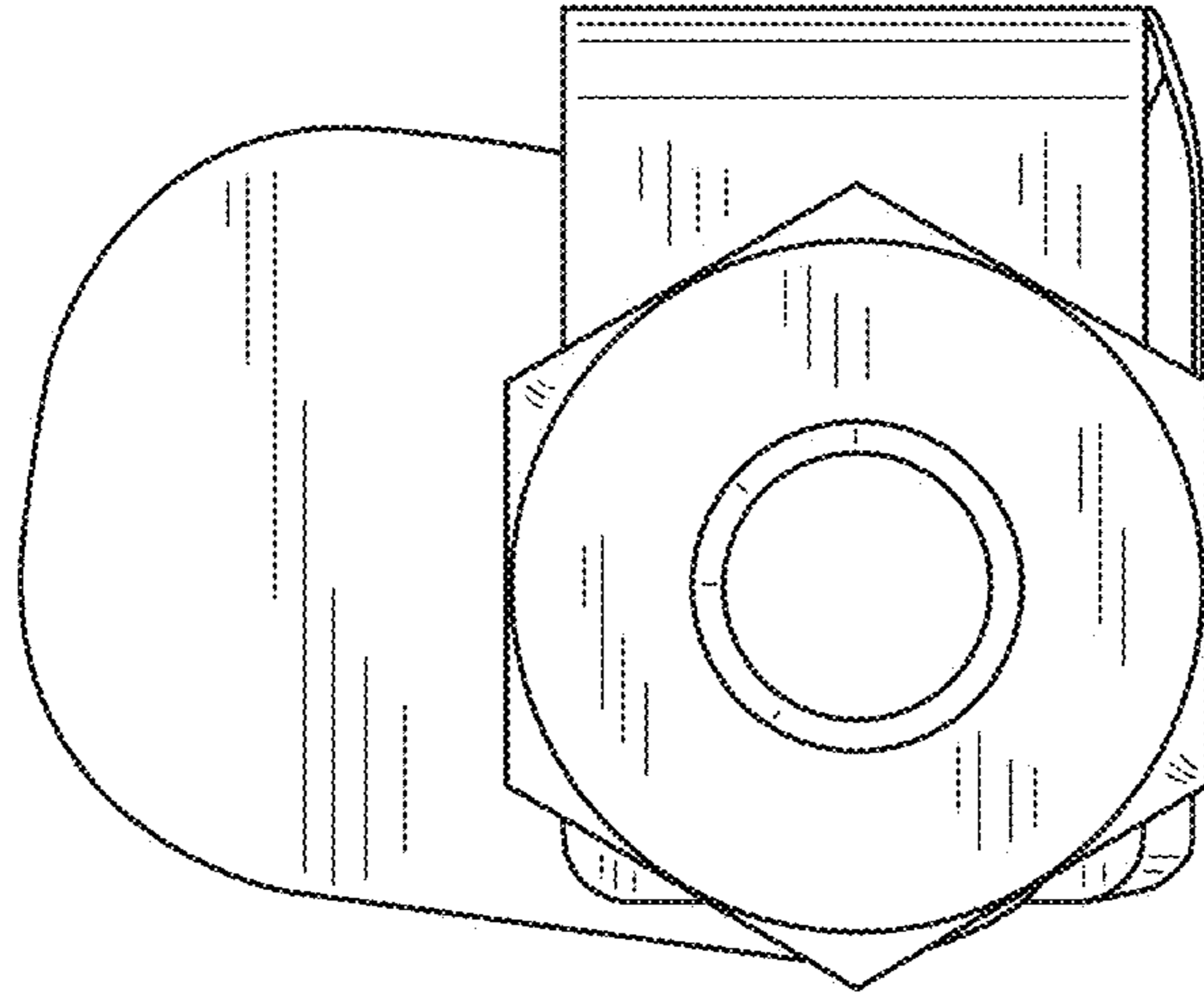


FIG. 6

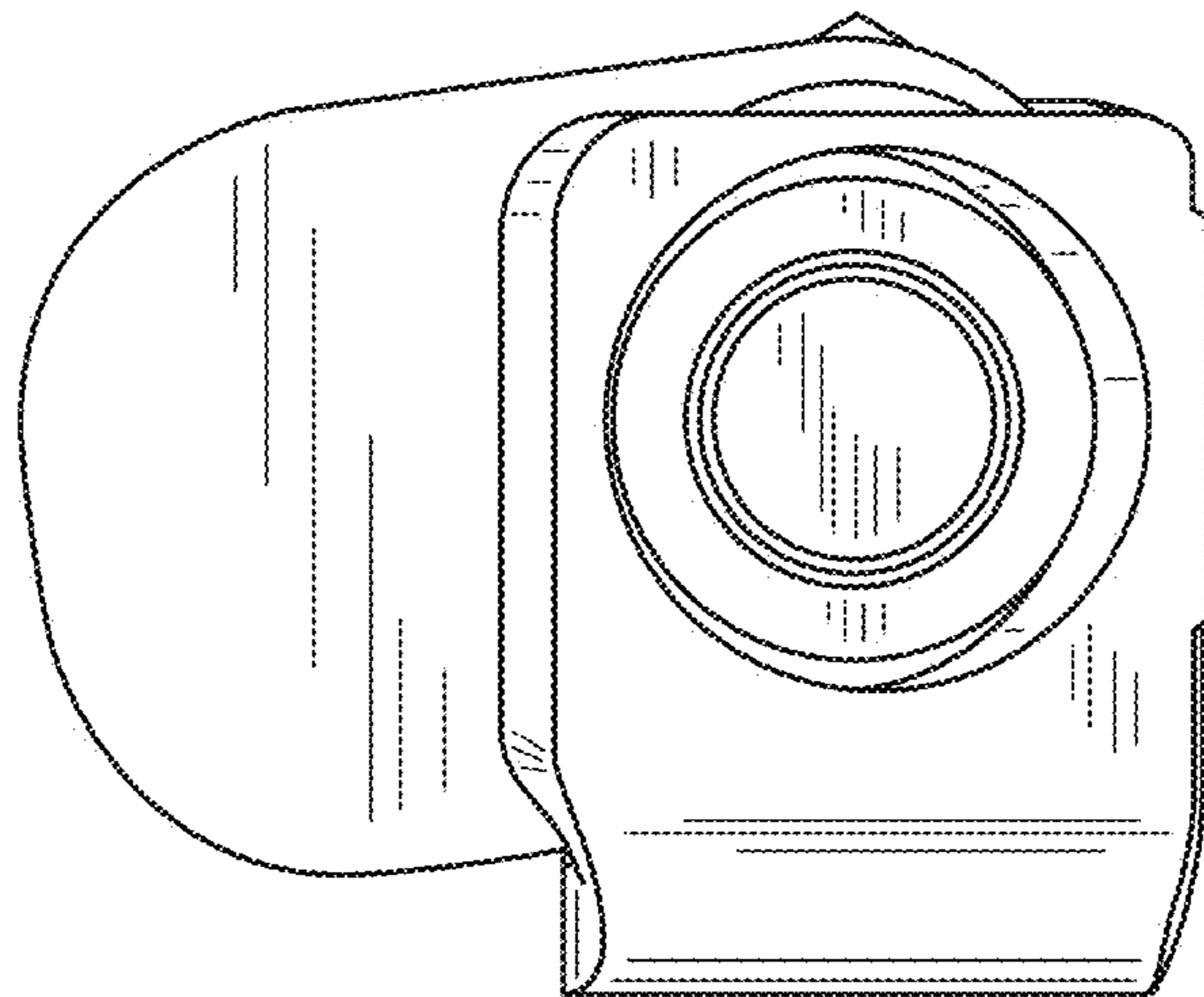


FIG. 7