



US00D700036S

(12) **United States Design Patent**
Oshima

(10) **Patent No.:** **US D700,036 S**

(45) **Date of Patent:** **** Feb. 25, 2014**

(54) **HINGE**

(75) Inventor: **Kazuyoshi Oshima**, Tokyo (JP)

(73) Assignee: **Sugatsune Kogyo Co., Ltd.**, Tokyo (JP)

(**) Term: **14 Years**

(21) Appl. No.: **29/414,346**

(22) Filed: **Feb. 28, 2012**

(30) **Foreign Application Priority Data**

Aug. 30, 2011 (JP) 2011-019518

(51) **LOC (10) Cl.** **08-06**

(52) **U.S. Cl.**
USPC **D8/323**

(58) **Field of Classification Search**
USPC D8/328, 324, 330, 325, 327, 331, 336,
D8/353, 338, 329, 355, 356, 323;
D16/334; 4/236, 240; 16/309, 235,
16/275, 244, 379, 390, 430, 241, 238, 225,
16/250, 221; 49/381; D23/302, 303;
248/682; D10/69; 33/347
See application file for complete search history.

(56) **References Cited**

U.S. PATENT DOCUMENTS

D259,240 S *	5/1981	Myron	D8/356
D260,852 S *	9/1981	Loeschen	D8/381
D268,893 S *	5/1983	Salice	D8/323
4,558,485 A *	12/1985	Rock et al.	16/370
D309,247 S *	7/1990	Grass	D8/323
D309,704 S *	8/1990	Grass	D8/323
D336,841 S *	6/1993	Wilson et al.	D8/323
5,412,840 A *	5/1995	Lautenschlager et al.	16/238
5,511,287 A *	4/1996	Lautenschlager et al.	16/239
5,577,297 A *	11/1996	Lautenschlager et al.	16/382
5,964,010 A *	10/1999	Huber	16/237

D451,000 S *	11/2001	Karl	D8/323
6,401,298 B1	6/2002	Lenz		
7,530,591 B2 *	5/2009	Mater et al.	280/507
D611,801 S *	3/2010	Chustak	D8/355
D633,773 S *	3/2011	Yamanaka	D8/323
D642,701 S *	8/2011	Howard	D25/15
D643,131 S *	8/2011	Howard	D25/15
D646,144 S *	10/2011	Osaki	D8/329
D652,706 S *	1/2012	Osaki	D8/329
D676,307 S *	2/2013	Oshima	D8/323
D676,308 S *	2/2013	Oshima	D8/323
D684,839 S *	6/2013	Oshima	D8/323
2007/0284852 A1 *	12/2007	Mater et al.	280/507

FOREIGN PATENT DOCUMENTS

JP 2000-320237 A 11/2000

* cited by examiner

Primary Examiner — Cynthia Underwood

(74) *Attorney, Agent, or Firm* — Bacon & Thomas, PLLC

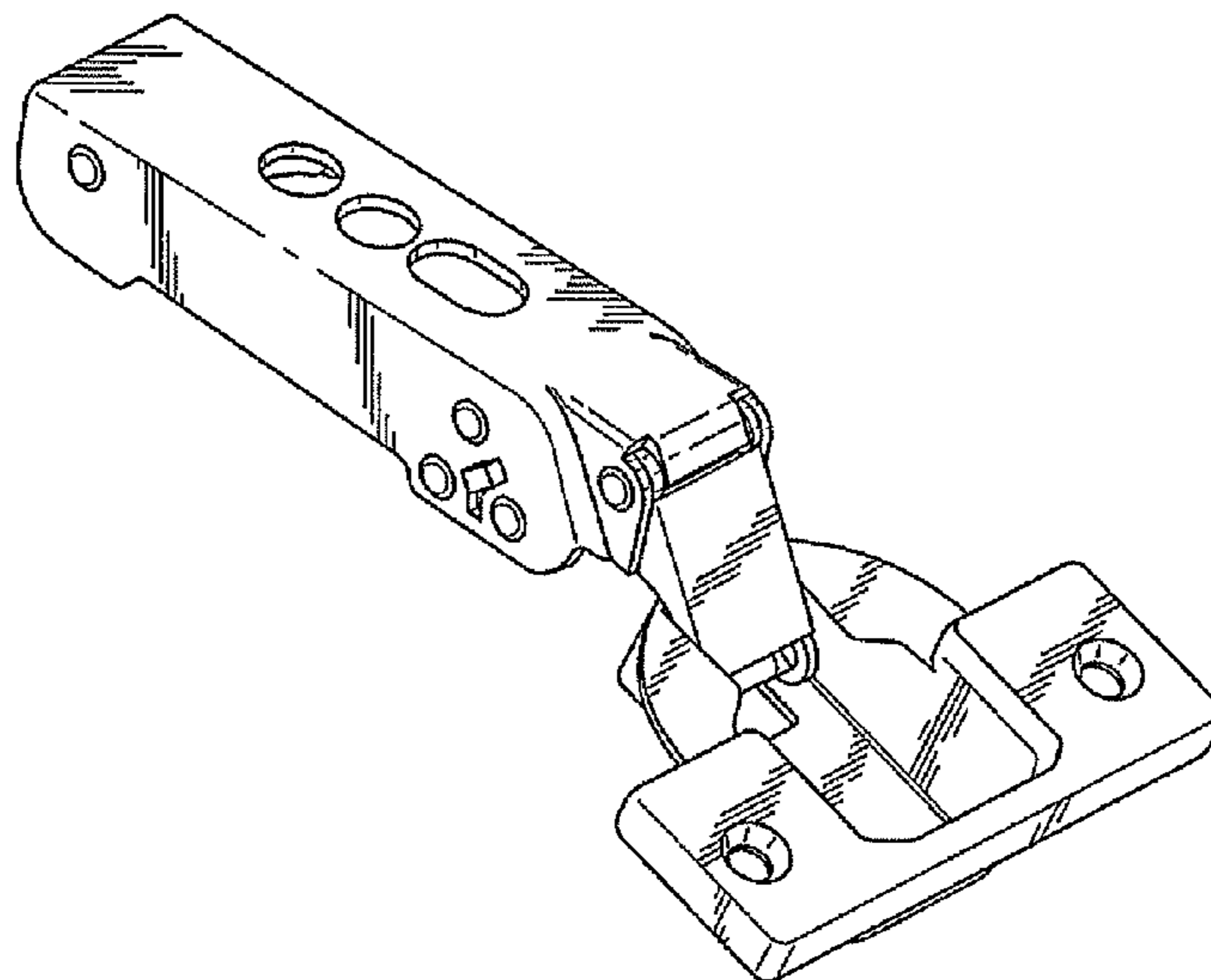
(57) **CLAIM**

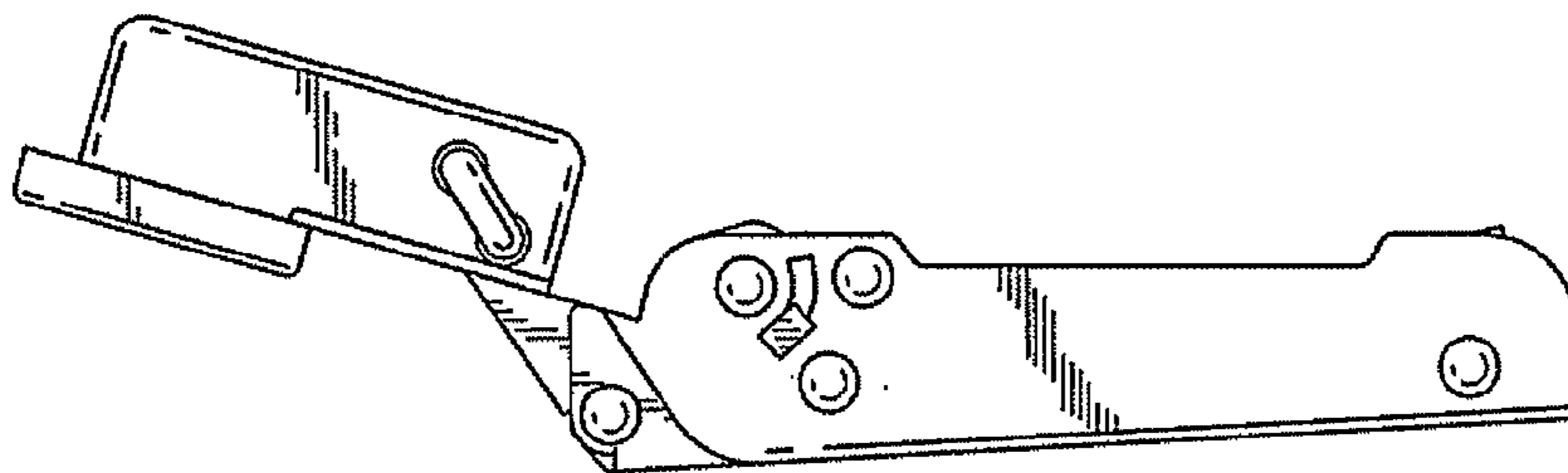
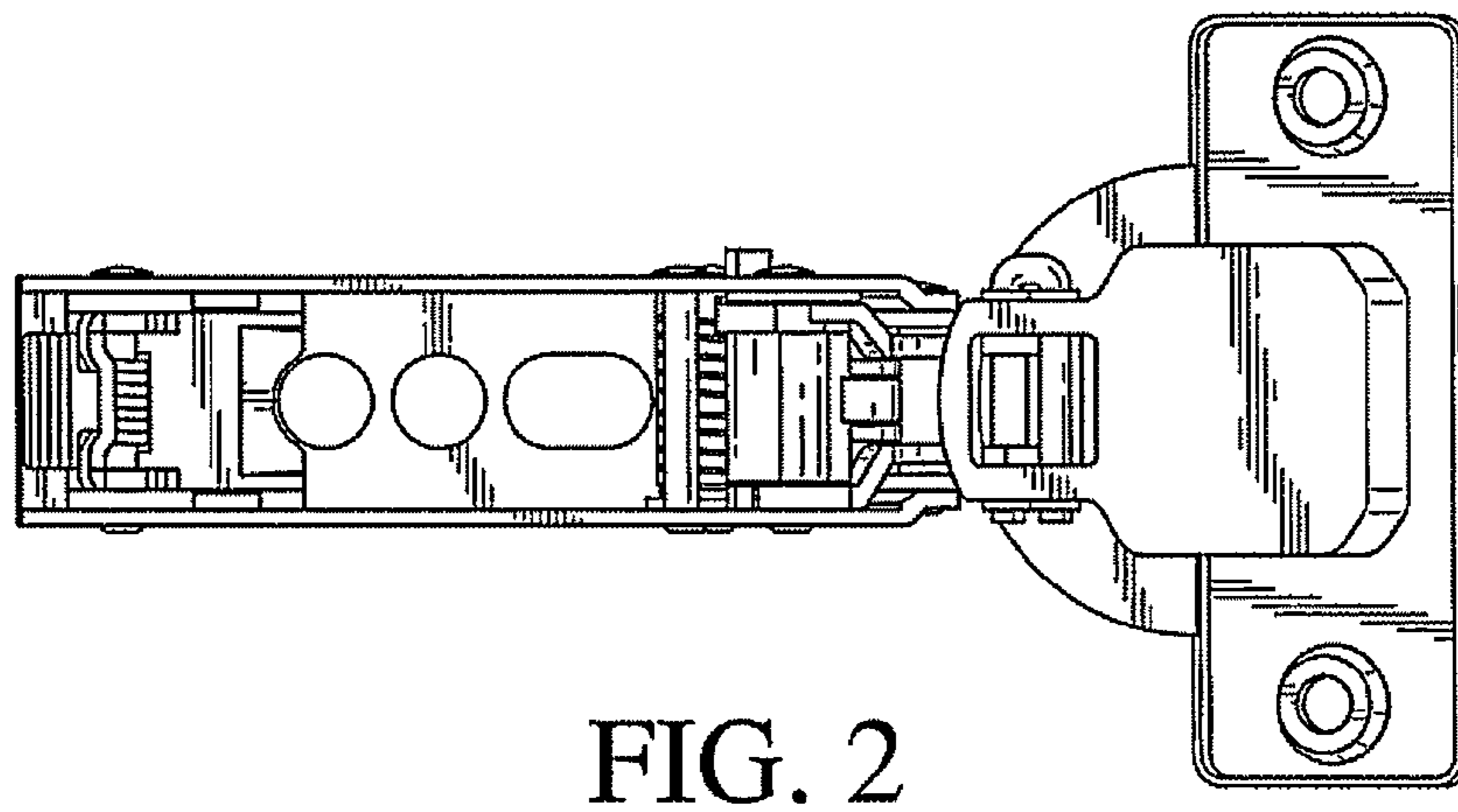
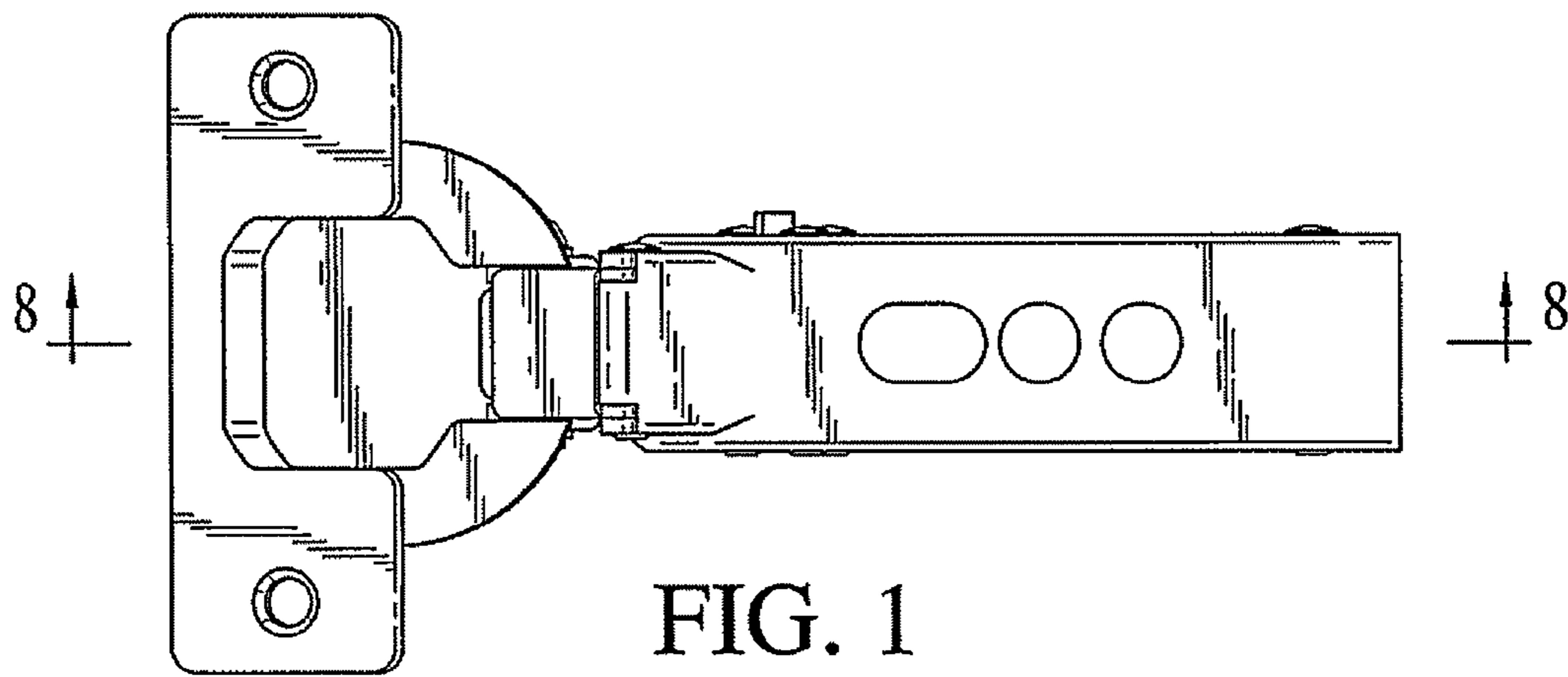
The ornamental design for a hinge, as shown and described.

DESCRIPTION

FIG. 1 is a front elevational view of a hinge showing my new design;
FIG. 2 is a rear elevational view thereof,
FIG. 3 is a top plan view thereof,
FIG. 4 is a bottom plan view thereof,
FIG. 5 is a right side elevational view thereof,
FIG. 6 is a left side elevational view thereof,
FIG. 7 is a top perspective view thereof,
FIG. 8 is a sectional view thereof, taken along line 8-8 of FIG. 1,
FIG. 9 is a perspective view thereof, shown in its environment of use, the broken lines forming no part of the claim; and,
FIG. 10 is a bottom plan thereof, in a closed position.

1 Claim, 4 Drawing Sheets





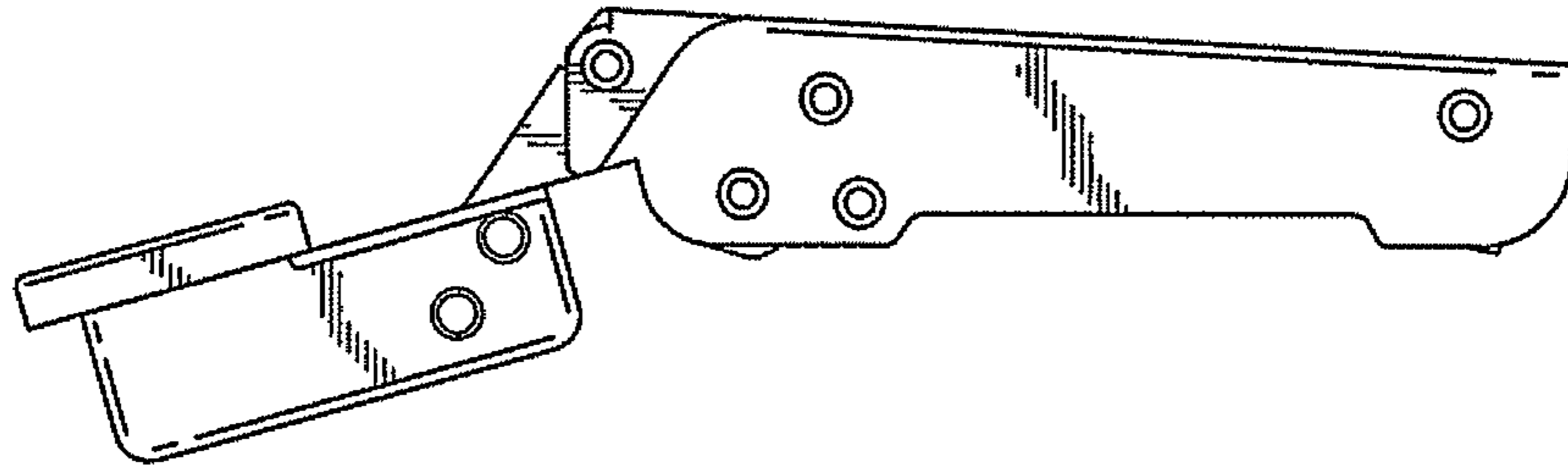


FIG. 4

FIG. 5

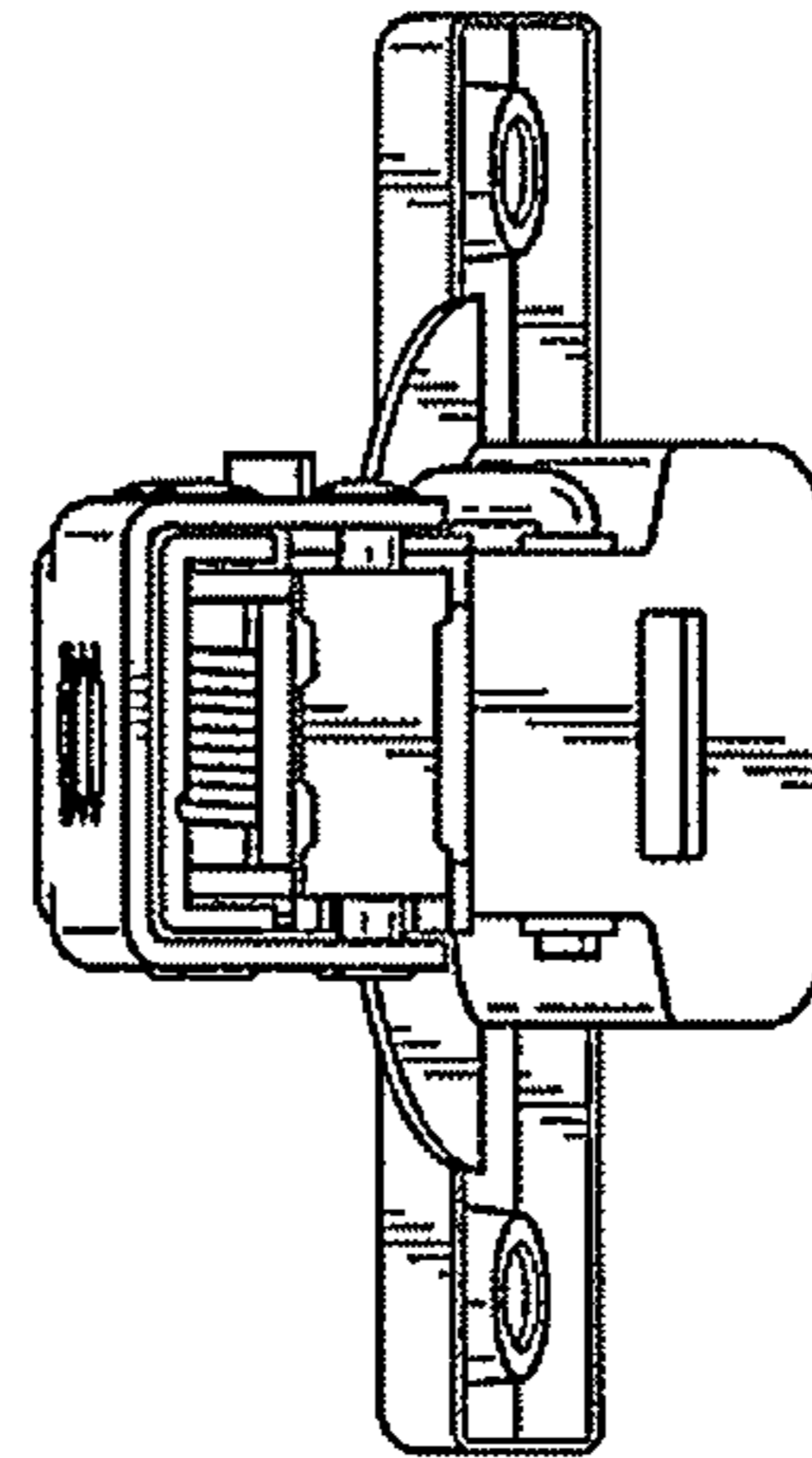
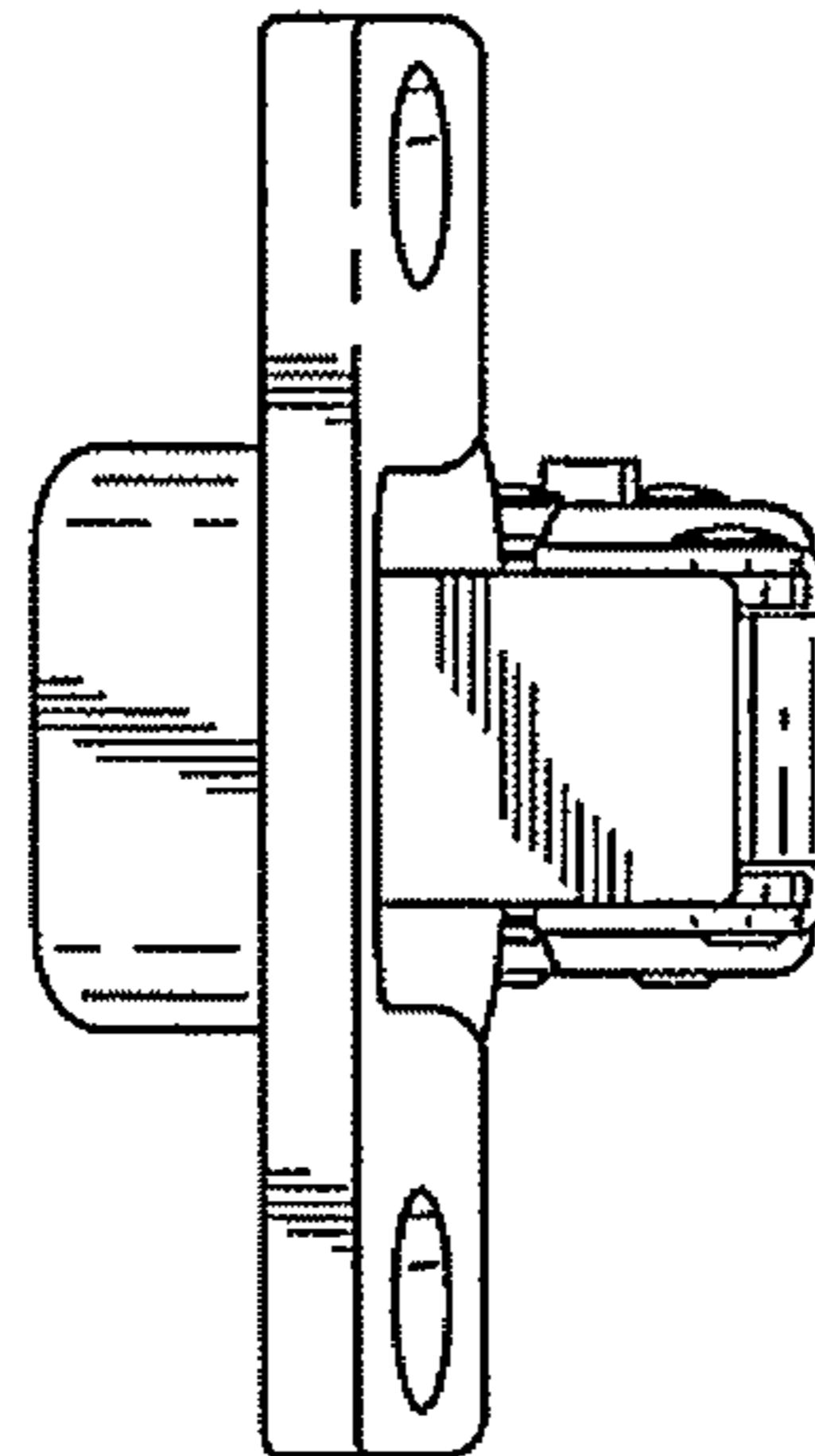


FIG. 6



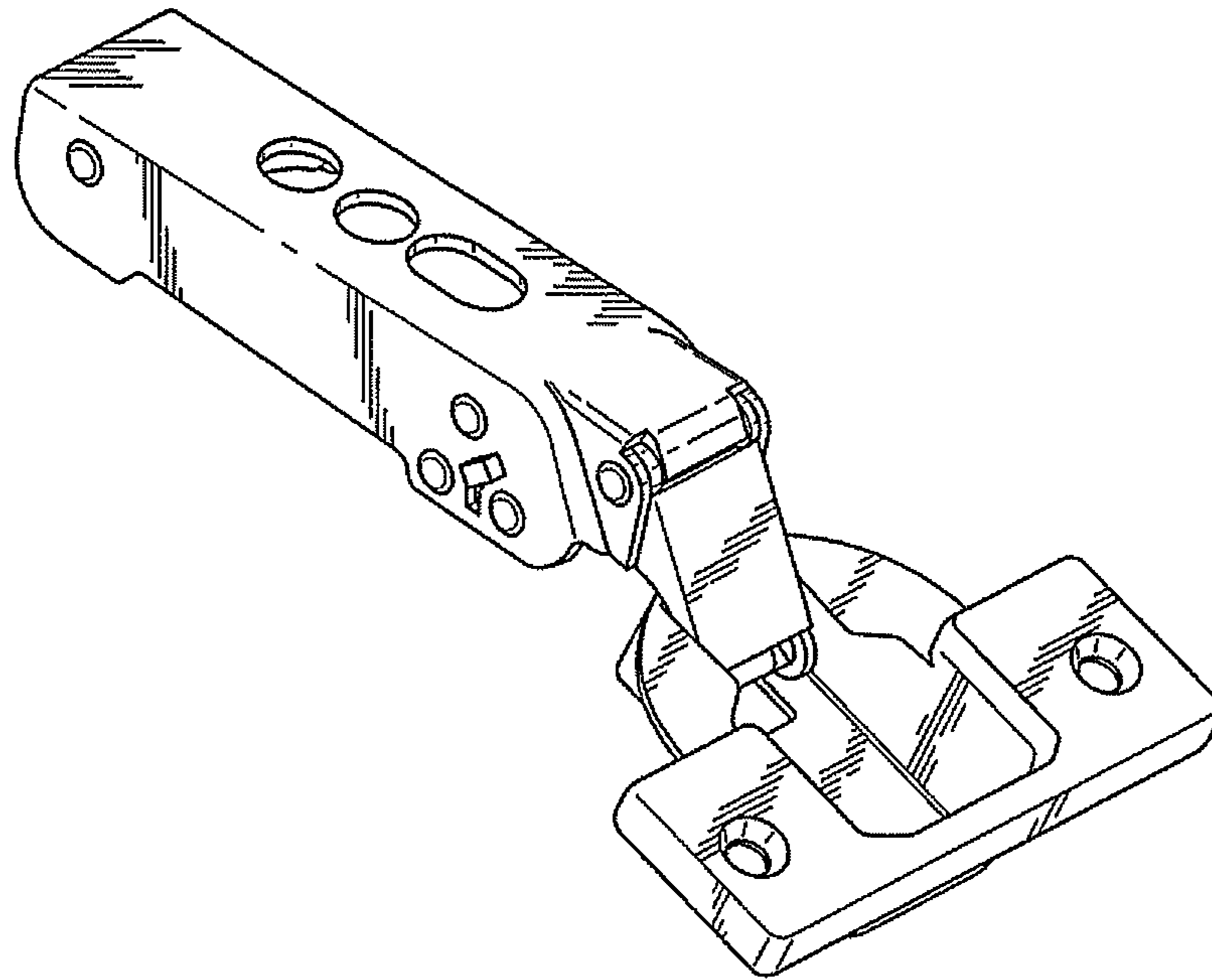


FIG. 7

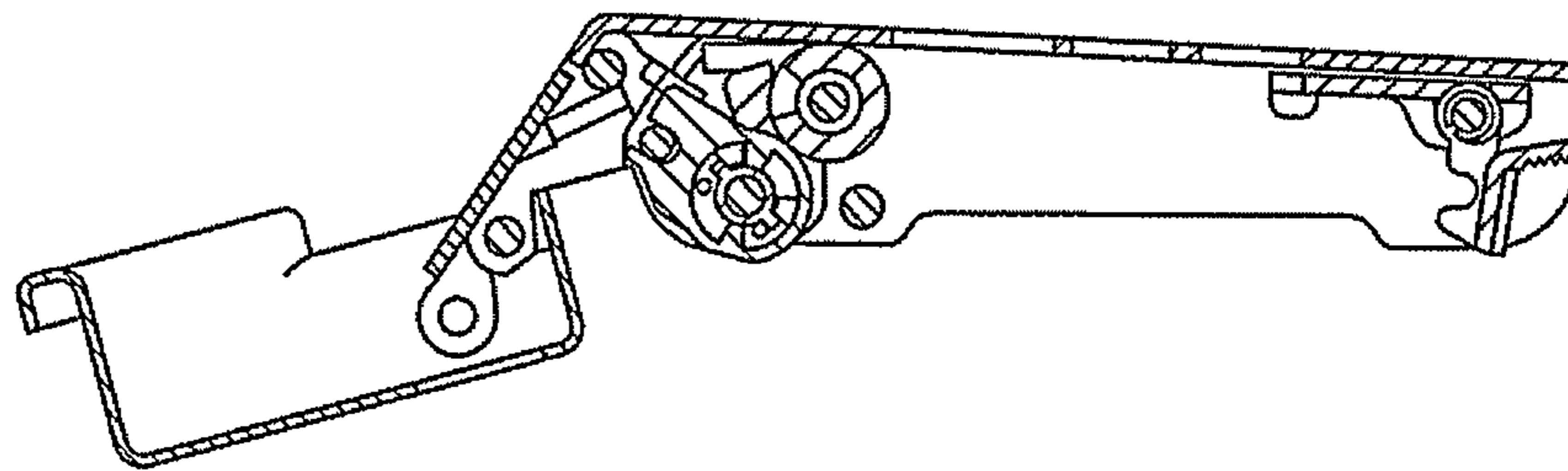


FIG. 8

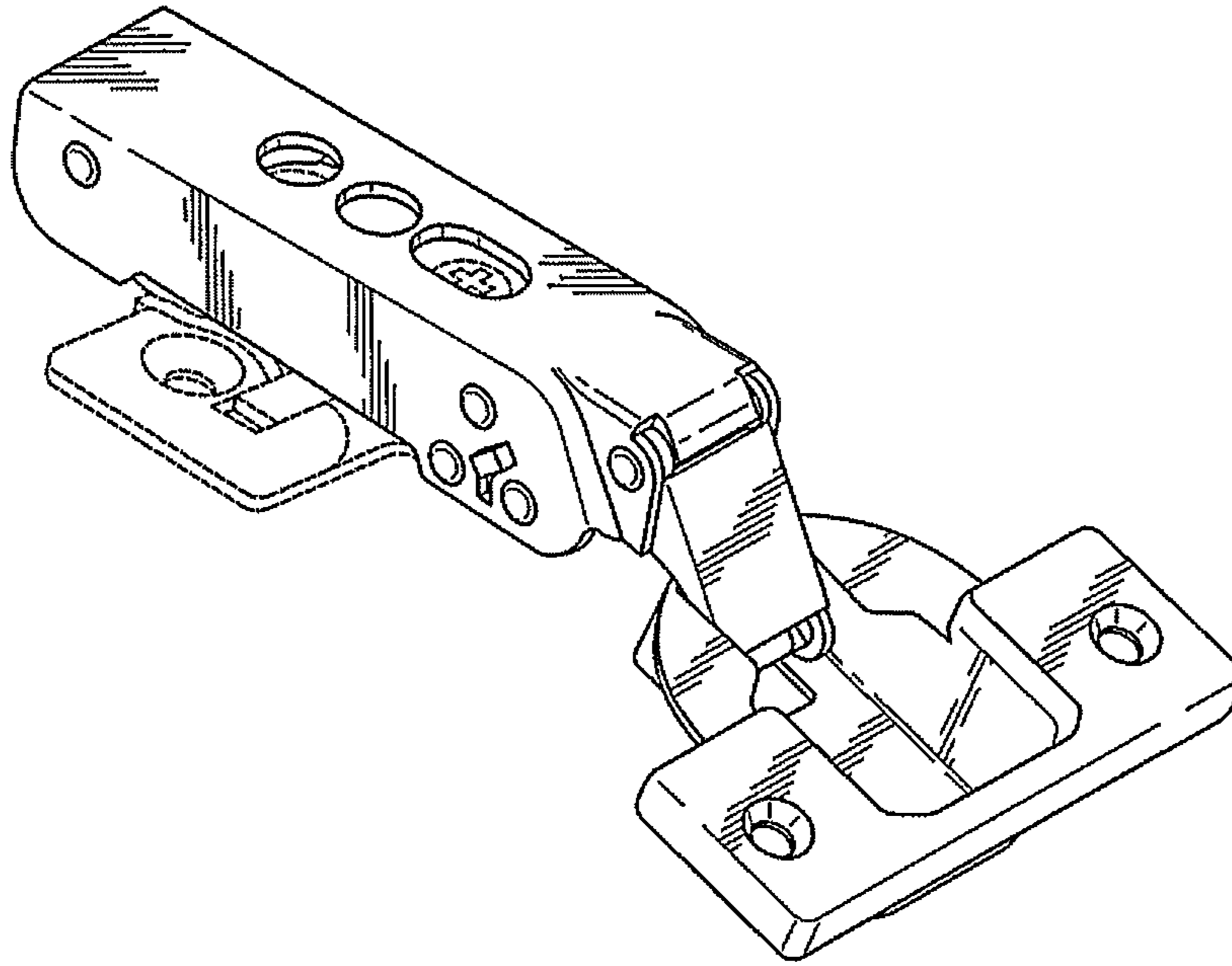


FIG. 9

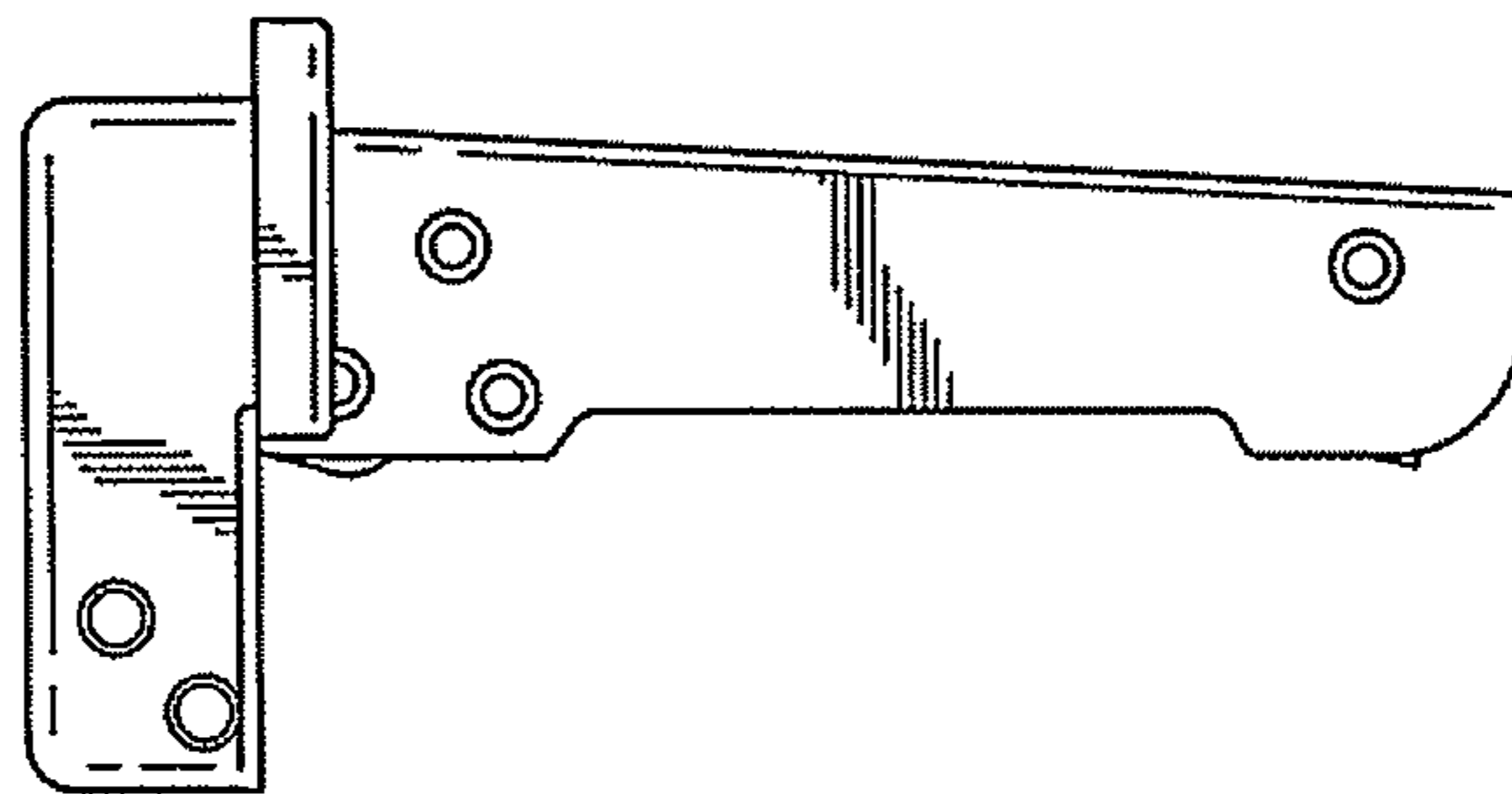


FIG. 10